



US00D583027S

(12) **United States Design Patent**  
**Morita**

(10) **Patent No.:** **US D583,027 S**

(45) **Date of Patent:** **\*\* Dec. 16, 2008**

(54) **HOSE CLAMP**

2004/0025304 A1\* 2/2004 Senovich et al. .... 24/20 R  
2006/0278044 A1\* 12/2006 Kassabian ..... 81/9.3

(75) Inventor: **Naoki Morita**, Kanagawa-ken (JP)

FOREIGN PATENT DOCUMENTS

(73) Assignee: **Piolax Inc.**, Yokohama-shi,  
Kanagawa-ken (JP)

JP 1098763 1/2001  
JP 1100410 2/2001

(\*\*) Term: **14 Years**

OTHER PUBLICATIONS

(21) Appl. No.: **29/274,242**

Korean Office Action dated Oct. 31, 2007.

(22) Filed: **Apr. 9, 2007**

\* cited by examiner

(30) **Foreign Application Priority Data**

Oct. 17, 2006 (JP) ..... 2006-028031

*Primary Examiner*—Cathron Brooks  
*Assistant Examiner*—Michael A Pratt  
(74) *Attorney, Agent, or Firm*—McGinn IP Law Group,  
PLLC

(51) **LOC (8) Cl.** ..... **23-01**

(57) **CLAIM**

(52) **U.S. Cl.** ..... **D23/265**

(58) **Field of Classification Search** ..... D23/213,  
D23/249, 257, 259, 260, 261, 262, 263, 264,  
D23/265, 266, 267, 268; D8/354–356, 371,  
D8/394–396, 382; 24/16 R, 270, 271, 279;  
248/49, 62, 74.1–74.4, 73

The ornamental design for a hose clamp, as shown and described.

See application file for complete search history.

**DESCRIPTION**

(56) **References Cited**

U.S. PATENT DOCUMENTS

4,305,179 A \* 12/1981 Sakurada ..... 24/20 R  
4,315,348 A \* 2/1982 Oetiker ..... 24/20 CW  
4,380,096 A \* 4/1983 Nishida et al. .... 24/20 R  
D317,351 S \* 6/1991 Takeuchi ..... D23/265  
D317,352 S \* 6/1991 Takeuchi ..... D23/265  
D335,079 S \* 4/1993 Sachs ..... D8/396  
RE35,253 E \* 5/1996 Worley et al. .... 285/243  
5,616,205 A \* 4/1997 Cogdill et al. .... 156/229  
6,098,251 A \* 8/2000 Zielinski ..... 24/20 R  
7,225,706 B2 \* 6/2007 Kassabian ..... 81/9.3  
2003/0159255 A1 \* 8/2003 Senovich et al. .... 24/20 R

FIG. 1 is a perspective view of the front, right and top of a hose clamp showing my new design;

FIG. 2 is a front view thereof;

FIG. 3 is a rear view thereof;

FIG. 4 is a top plan view thereof;

FIG. 5 is a bottom view thereof;

FIG. 6 is a left side view thereof;

FIG. 7 is a right side view thereof; and,

FIG. 8 is a reference view of the usage thereof.

The elements shown in broken lines are for illustrative purposes only and form no part of the claimed design.

**1 Claim, 3 Drawing Sheets**

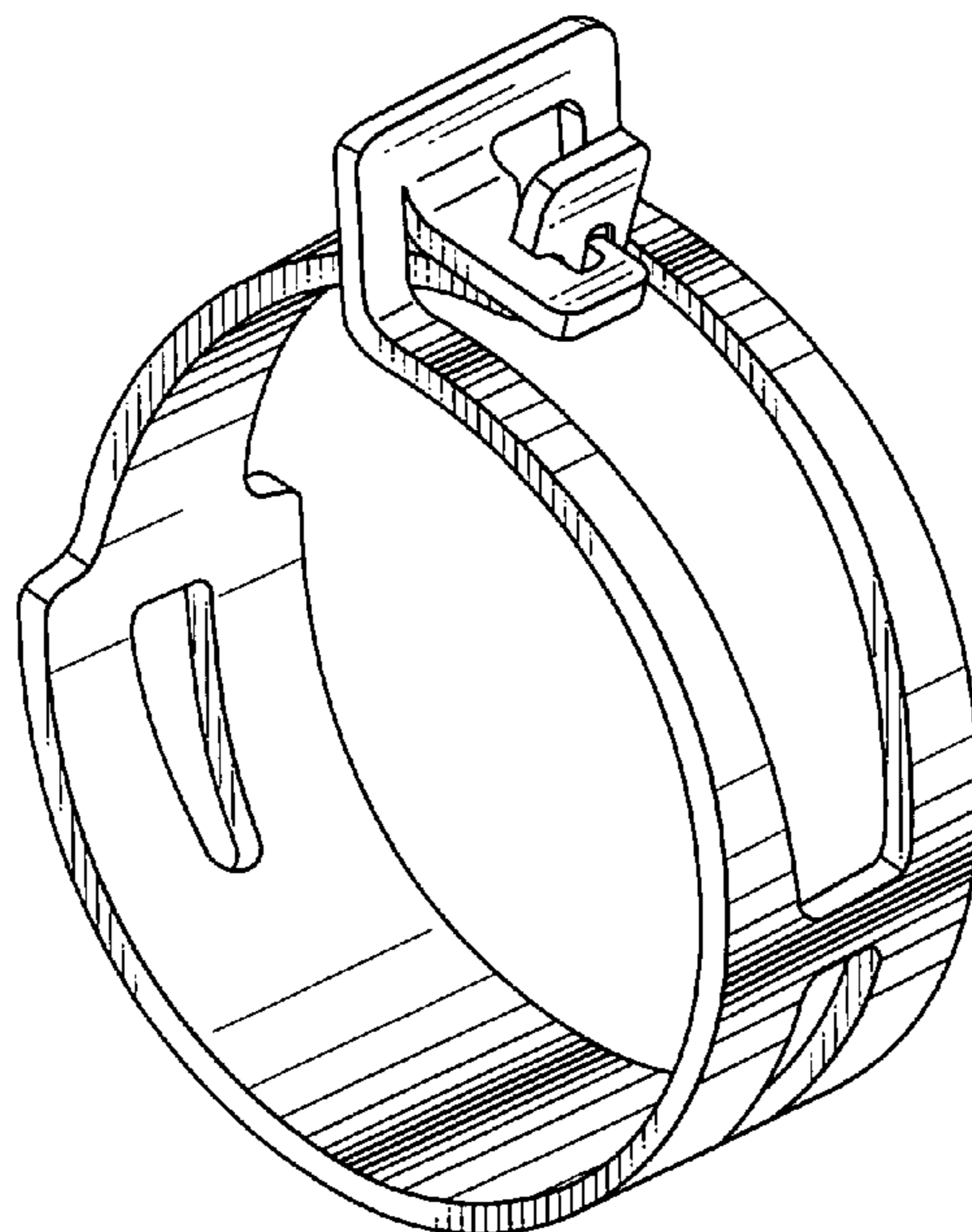


FIG.1

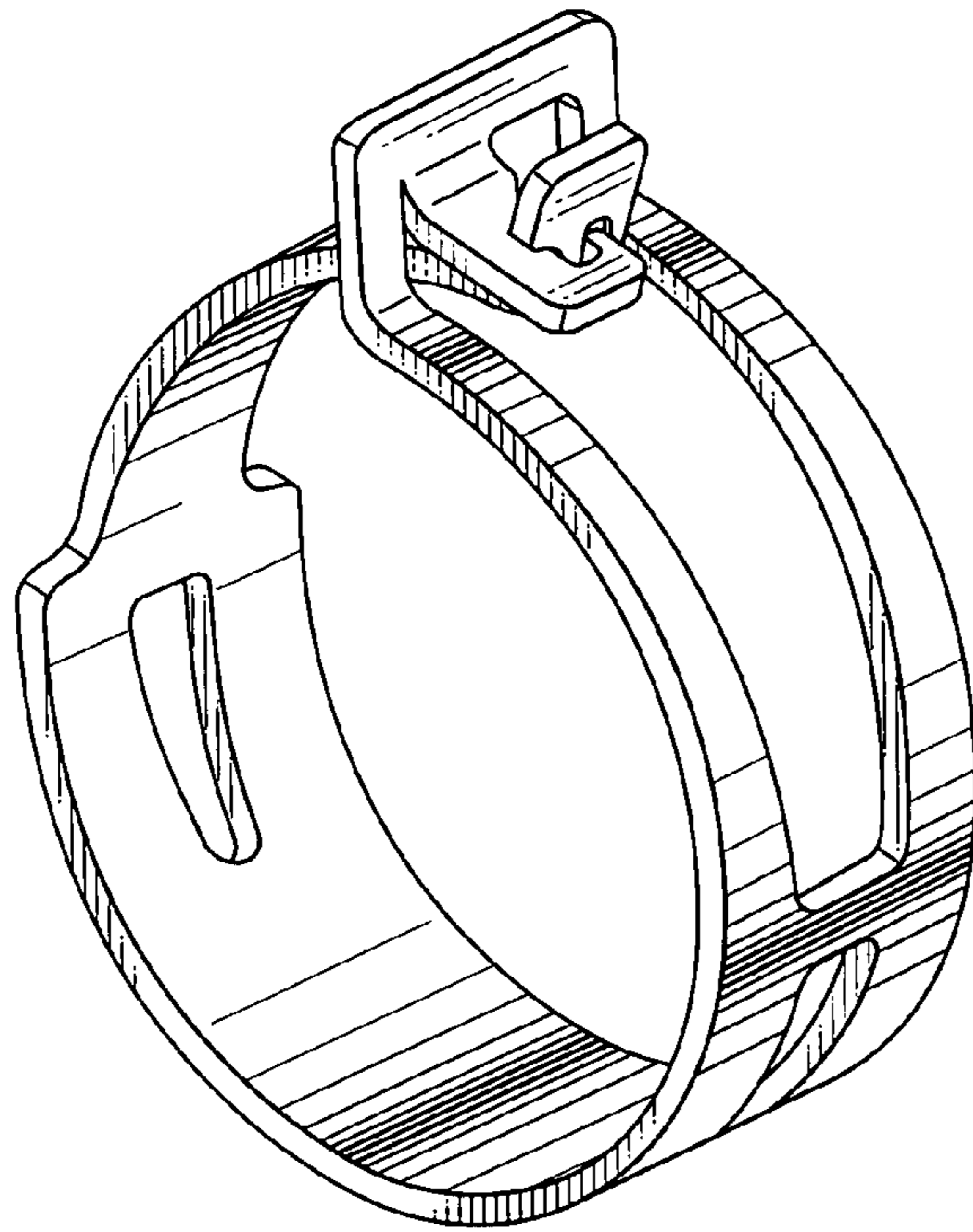


FIG.2

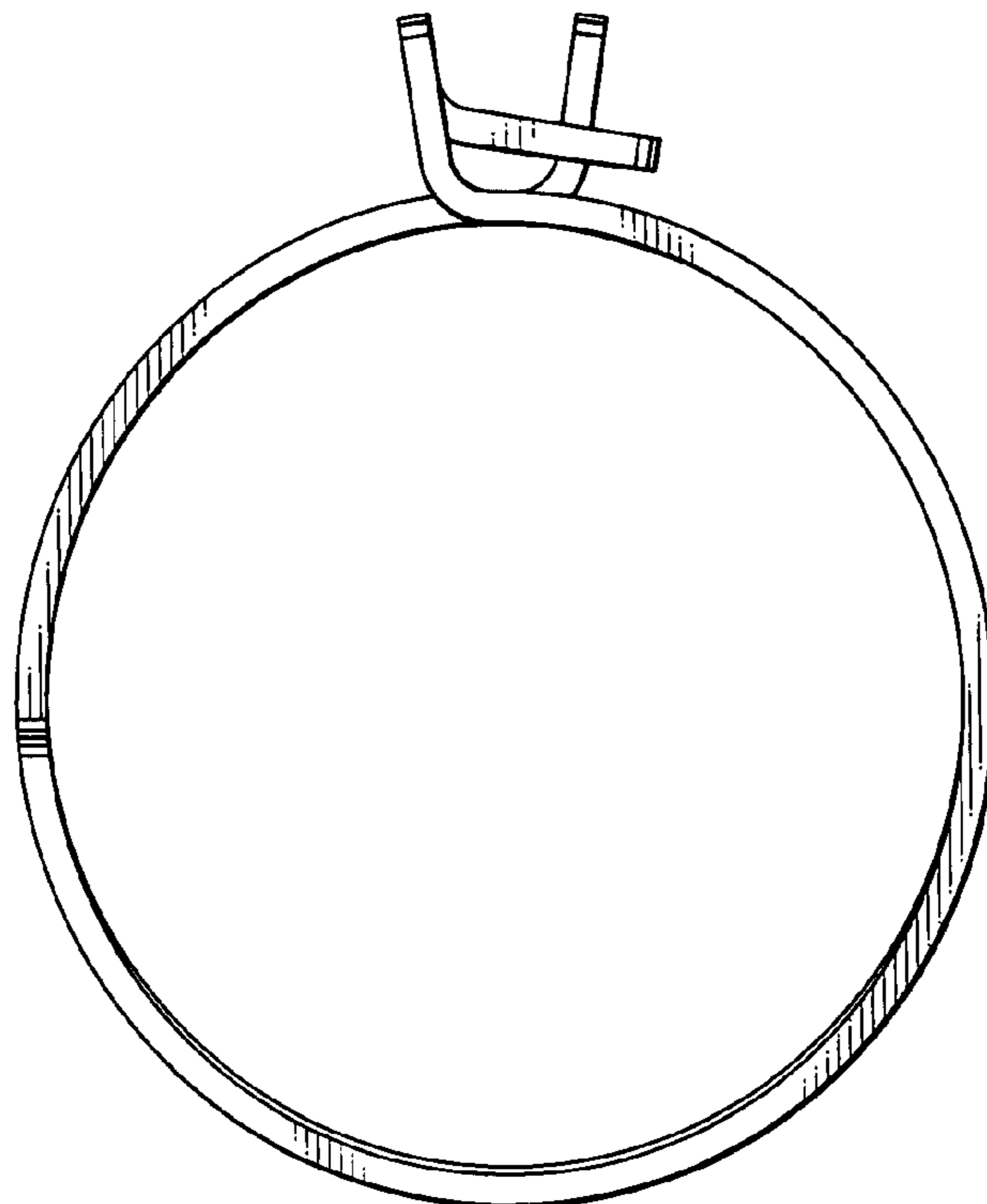


FIG.3

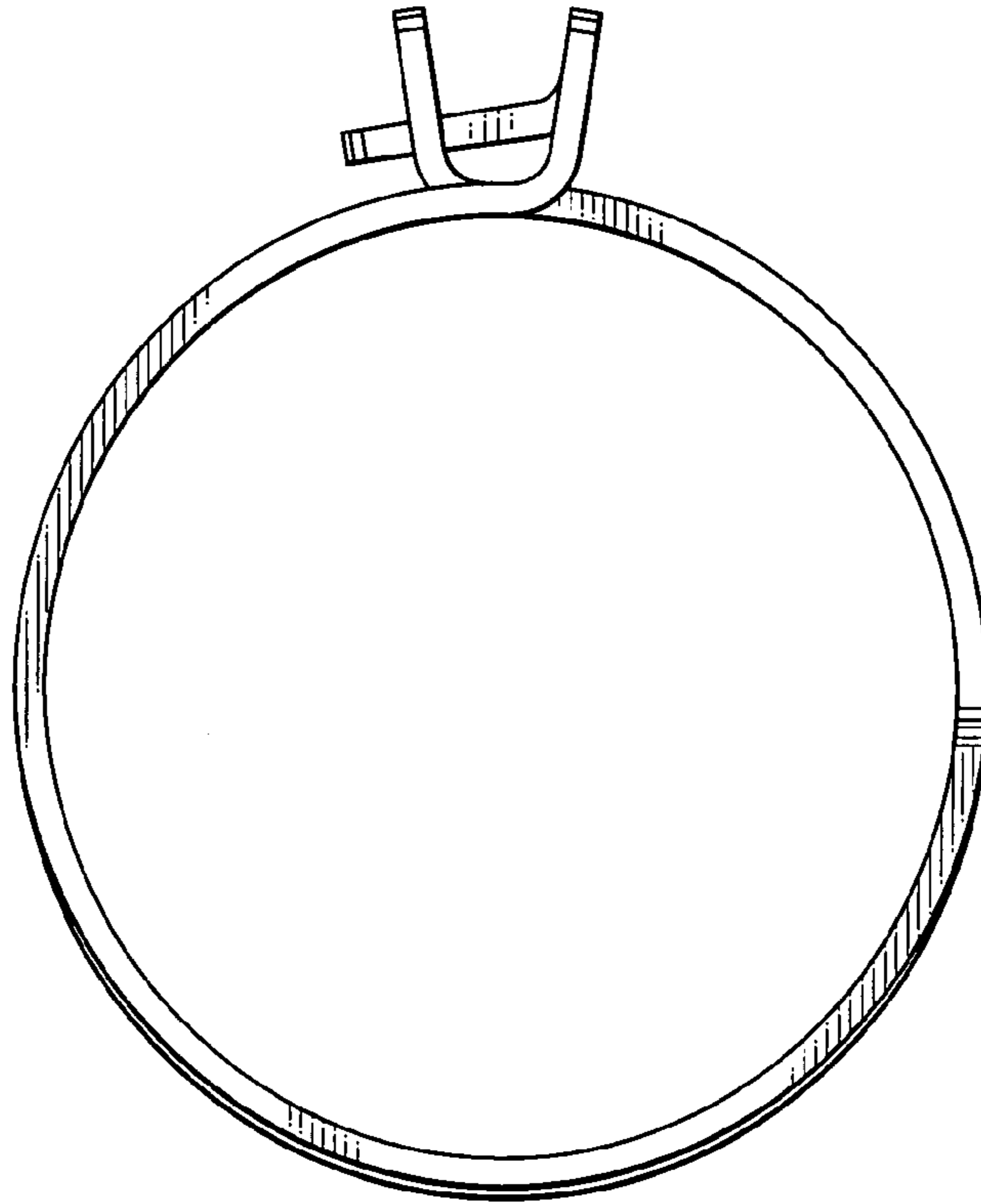


FIG.4

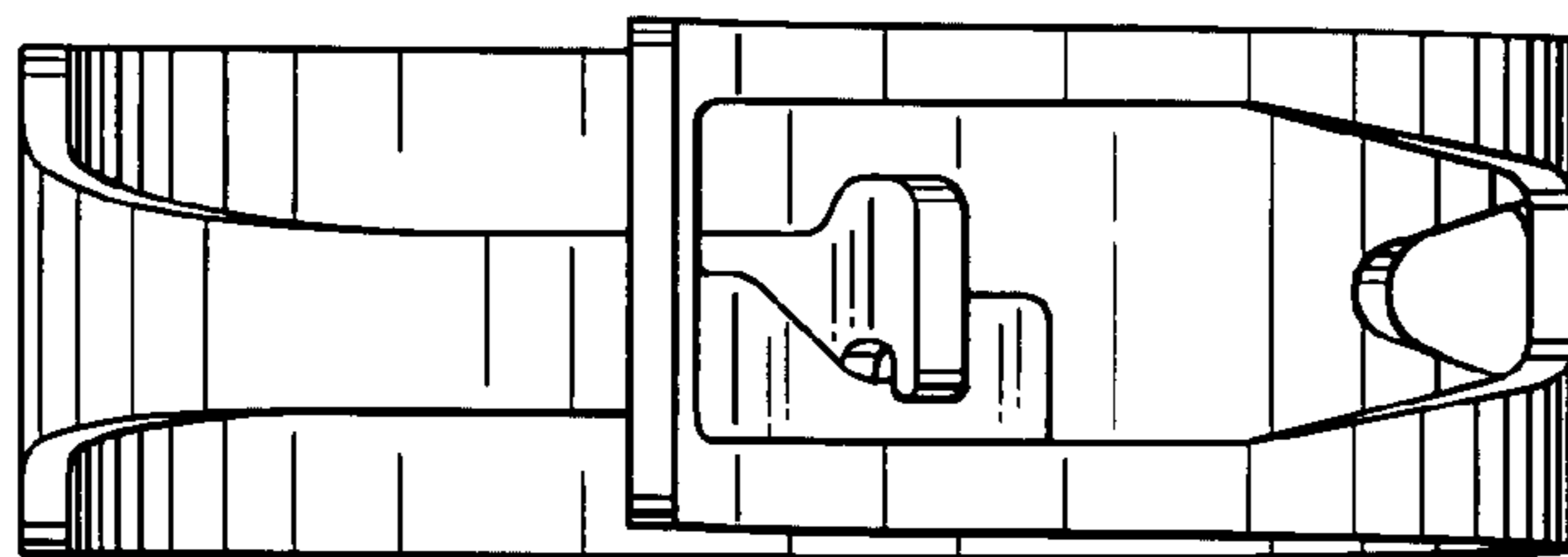


FIG.5

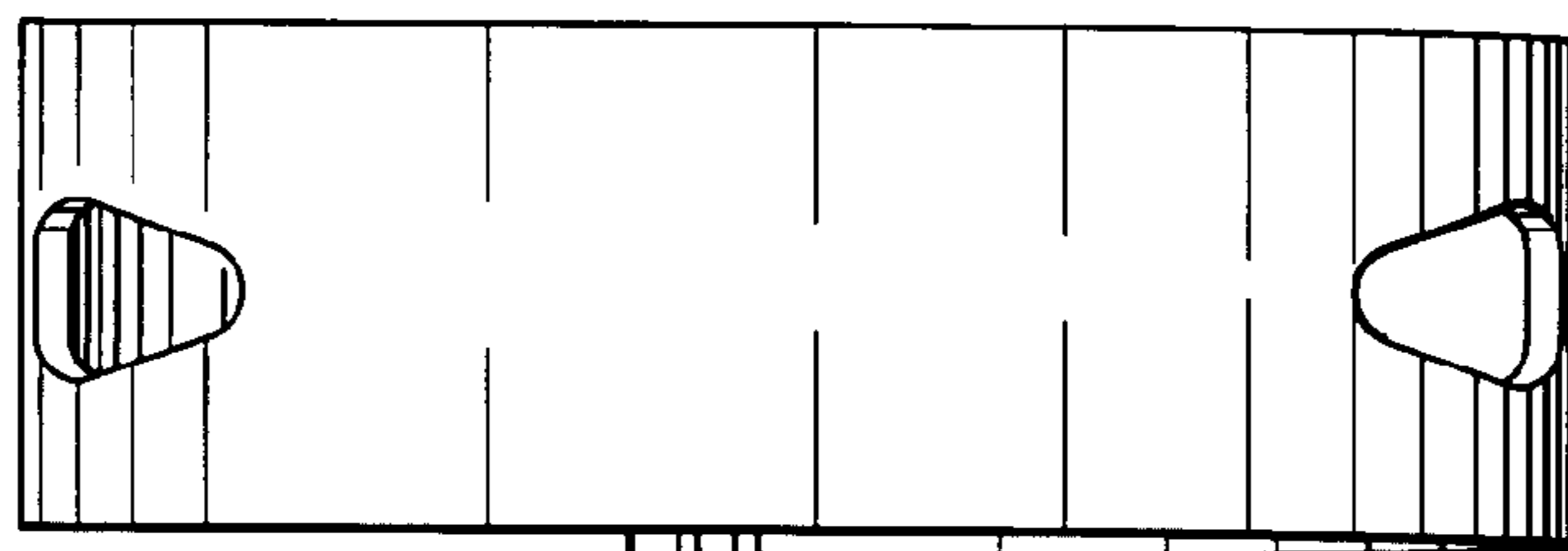


FIG.6

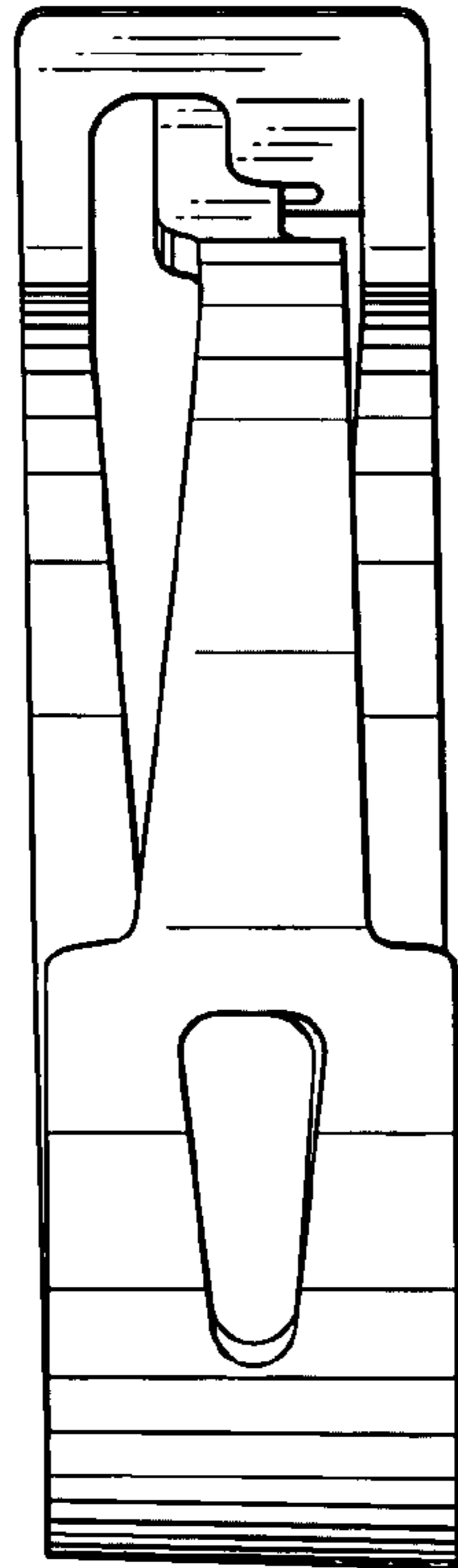


FIG.7

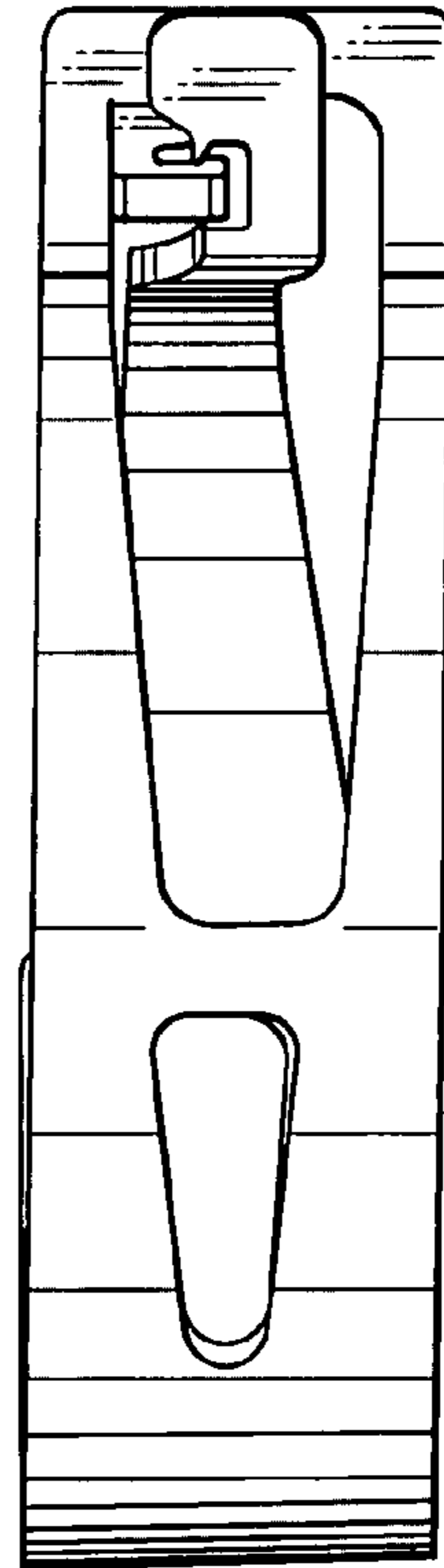


FIG.8

