



US00D583026S

(12) **United States Design Patent**
Dirneder

(10) **Patent No.:** **US D583,026 S**
(45) **Date of Patent:** **** Dec. 16, 2008**

(54) **HIGH TEMPERATURE DISCONNECT UNION**

(75) Inventor: **Johann Dirneder**, Coldwater (CA)

(73) Assignee: **Praher Canada Products Ltd.** (CA)

(**) Term: **14 Years**

(21) Appl. No.: **29/320,946**

(22) Filed: **Jul. 8, 2008**

(51) **LOC (8) Cl.** **23-01**

(52) **U.S. Cl.** **D23/262**

(58) **Field of Classification Search** D23/259-262;
285/34-35, 38, 158.22, 144.1, 145.2, 148.1,
285/148.22, 272, 322

See application file for complete search history.

(56) **References Cited**

U.S. PATENT DOCUMENTS

3,390,898	A *	7/1968	Sumida	285/34
D229,496	S	12/1973	Hand		
D235,343	S	6/1975	Otto		
D263,163	S	2/1982	Olde		
D265,418	S	7/1982	Chow et al.		
D267,506	S	1/1983	Evans		
4,690,436	A	9/1987	Hehl		
D299,267	S	1/1989	Roman		
D320,841	S *	10/1991	Breadmont	D23/262
5,110,160	A	5/1992	Brozovic		
5,197,770	A	3/1993	Knapp		
D334,617	S	4/1993	Roman		
5,346,262	A	9/1994	Liebig		
D359,797	S	6/1995	Saito		
D377,969	S	2/1997	Grantham		
5,636,876	A	6/1997	Eidsmore		
D397,413	S	8/1998	Sapp		
D406,881	S *	3/1999	Kuwabara	D23/262
D407,802	S	4/1999	Hatfield et al.		
D413,967	S	9/1999	Yuen		
D427,667	S	7/2000	Stout, Jr.		

D427,668	S	7/2000	Stout, Jr.
D430,482	S	9/2000	Stout, Jr.
D438,603	S	3/2001	Chao
D439,637	S	3/2001	Davies
D441,436	S	5/2001	Chao
D452,299	S	12/2001	Aldred et al.
D453,815	S	2/2002	Hoenig
D457,604	S	5/2002	Chen
D461,545	S	8/2002	Nishio

(Continued)

OTHER PUBLICATIONS

Praher Parts Catalog, pp. 1-78.

Primary Examiner—Louis S Zarfaz

Assistant Examiner—Eric L Goodman

(74) *Attorney, Agent, or Firm*—Buchanan, Ingersoll & Rooney PC; Brian L. Belles

(57) **CLAIM**

I claim the ornamental design for a high temperature disconnect union, as shown and described.

DESCRIPTION

FIG. 1 is a front perspective view of a high temperature disconnect union showing my new design;

FIG. 2 is a rear perspective view of the high temperature disconnect union of FIG. 1;

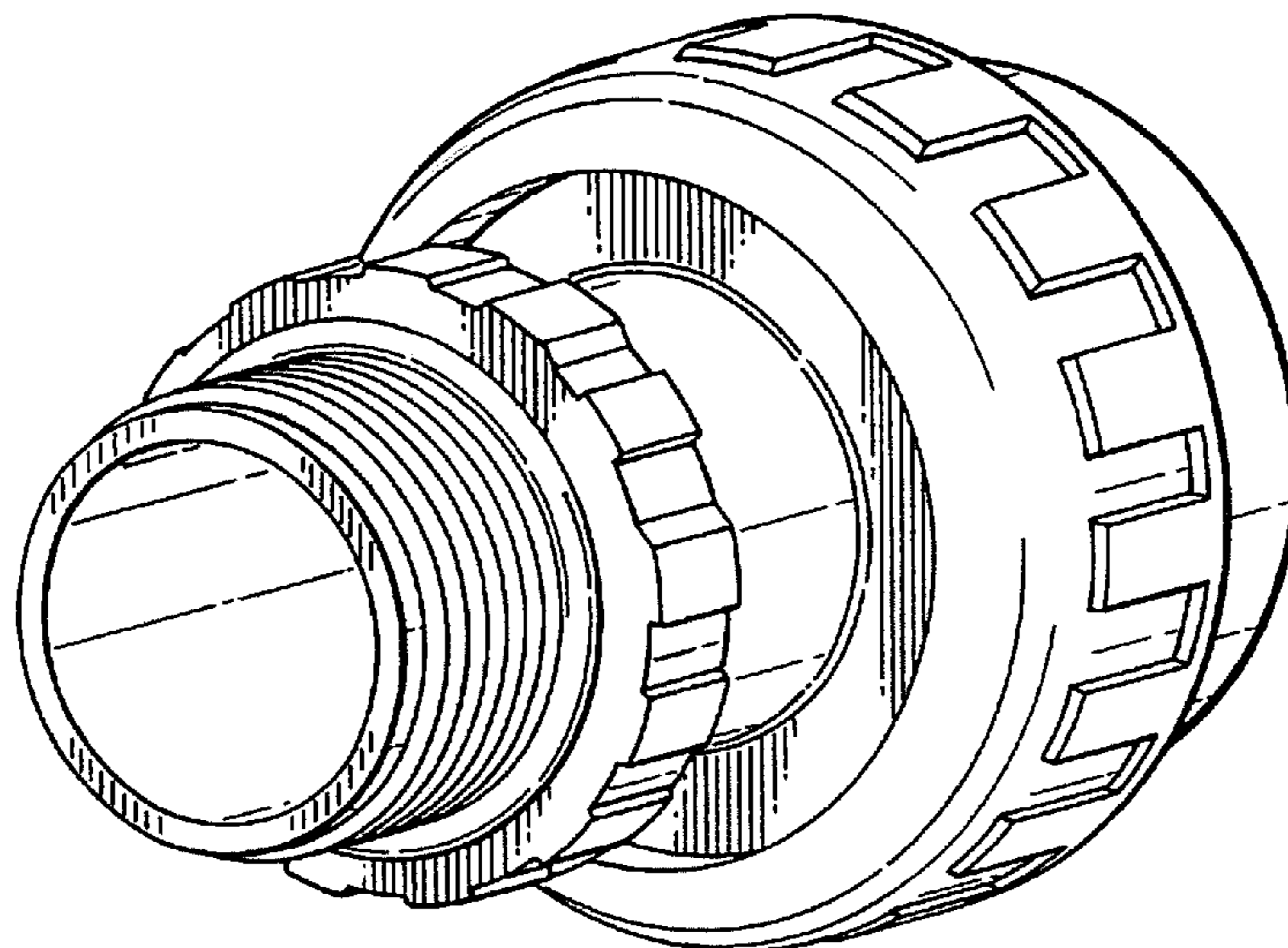
FIG. 3 is a left-side view of the high temperature disconnect union of FIG. 1;

FIG. 4 is a front view of the high temperature disconnect union of FIG. 1;

FIG. 5 is a rear view of the high temperature disconnect union of FIG. 1; and,

FIG. 6 is a right-side view of the high temperature disconnect union of FIG. 1.

1 Claim, 3 Drawing Sheets



US D583,026 S

Page 2

U.S. PATENT DOCUMENTS

D464,409 S	10/2002	Nishio	D517,665 S	3/2006	Wilk, Jr. et al.	
6,485,064 B1	11/2002	Davidson	D521,614 S	5/2006	Kitagawa	
D473,633 S	4/2003	Chun-lee	D524,427 S	7/2006	Wilk, Jr. et al.	
6,581,981 B2	6/2003	Cooper	D533,259 S	12/2006	Lewis et al.	
6,604,761 B1	8/2003	Debalme et al.	D549,804 S	8/2007	Lewis et al.	
D483,094 S	12/2003	Wilk, Jr. et al.	D559,361 S	1/2008	Zeppetzauer	
D483,095 S	12/2003	Snyder, Sr. et al.	D559,362 S	1/2008	Zeppetzauer	
D483,096 S	12/2003	Gotoh et al.	D565,707 S	4/2008	Brockington et al.	
D483,441 S	12/2003	Dole et al.	D568,969 S	5/2008	Bucchi	
D493,214 S	7/2004	Snyder, Sr. et al.	D569,955 S	5/2008	Chen	
D493,512 S	7/2004	Dole et al.	D570,457 S	6/2008	Brown	
D495,404 S	8/2004	Wilk, Jr. et al.	7,380,841 B2	6/2008	Hall et al.	
D496,094 S	9/2004	Stevens	2003/0160449 A1 *	8/2003	Min-Cheol	285/322
6,988,748 B2	1/2006	Staniszewski et al.	2004/0164547 A1 *	8/2004	Cronley	285/34
			2005/0006896 A1 *	1/2005	Naito et al.	285/316

* cited by examiner

FIG. 1.

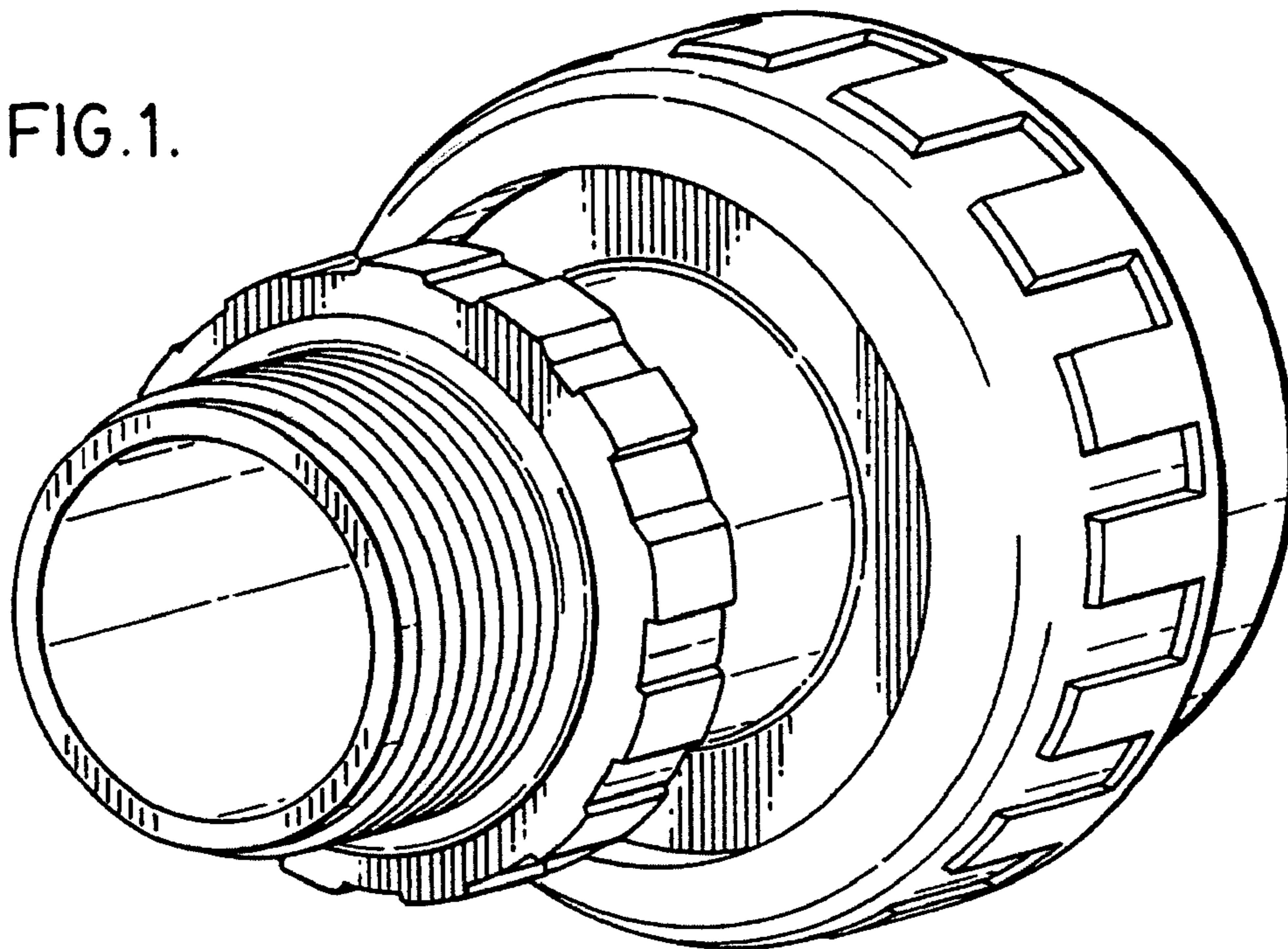
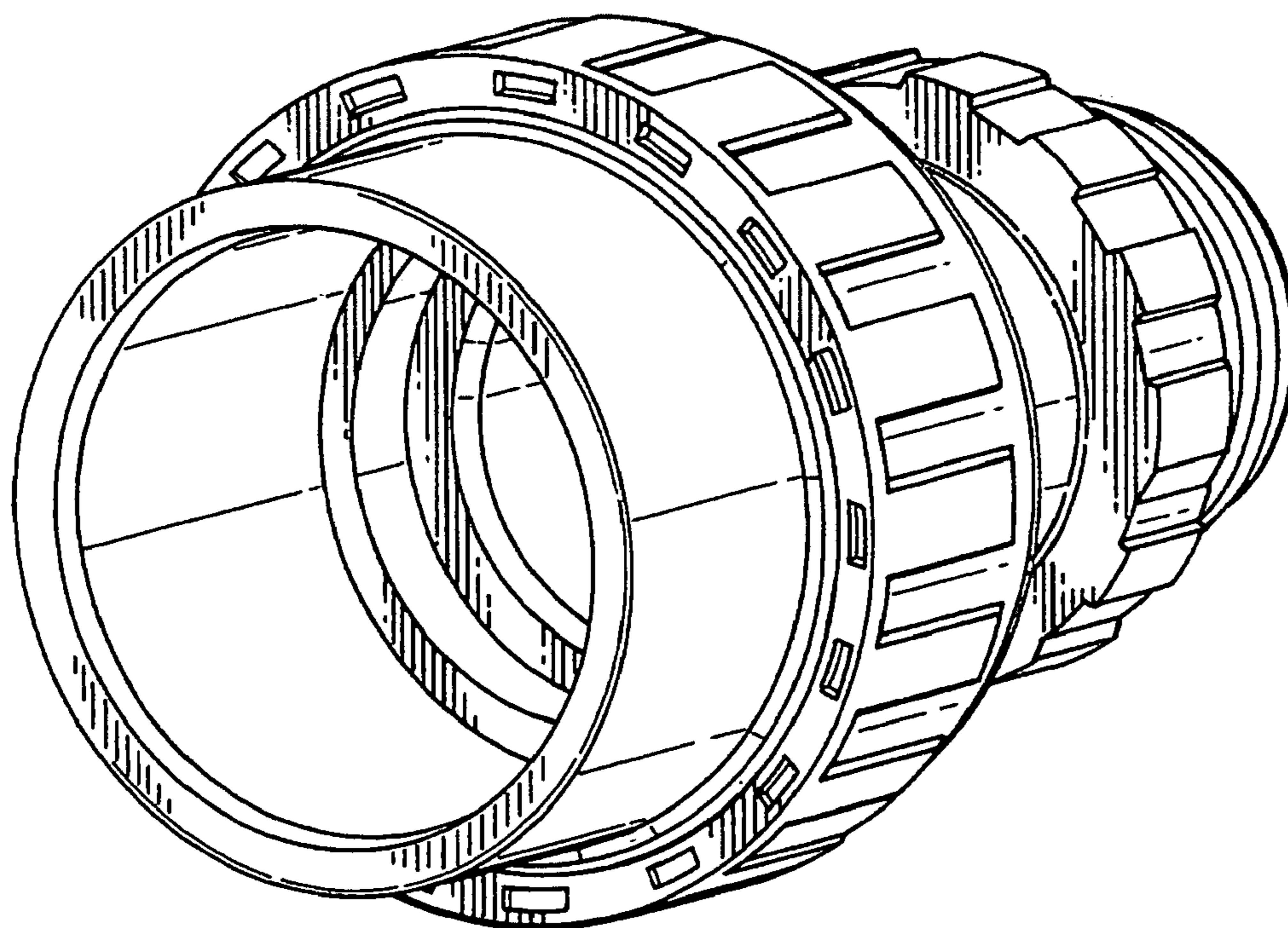


FIG. 2.



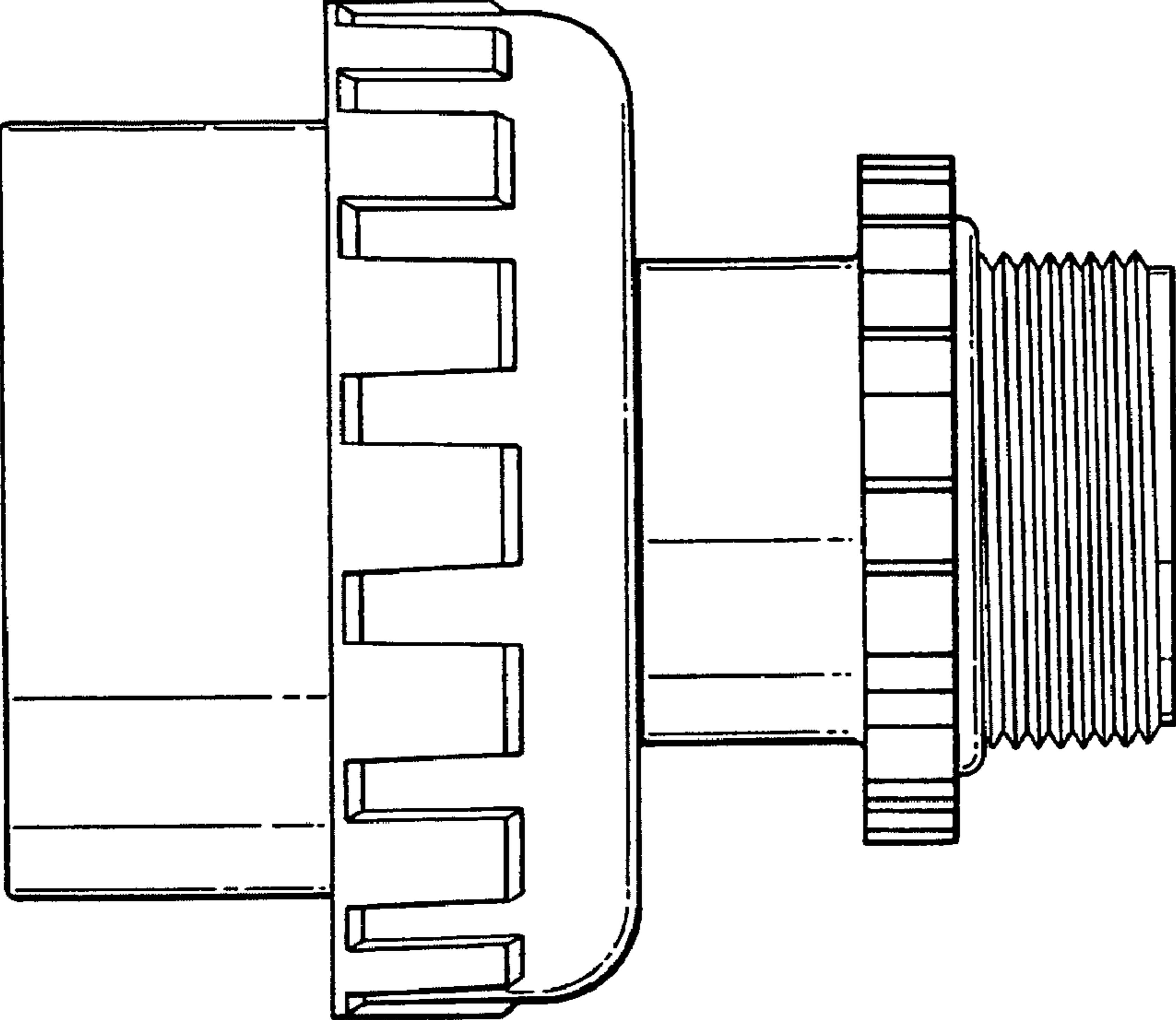


FIG. 3.

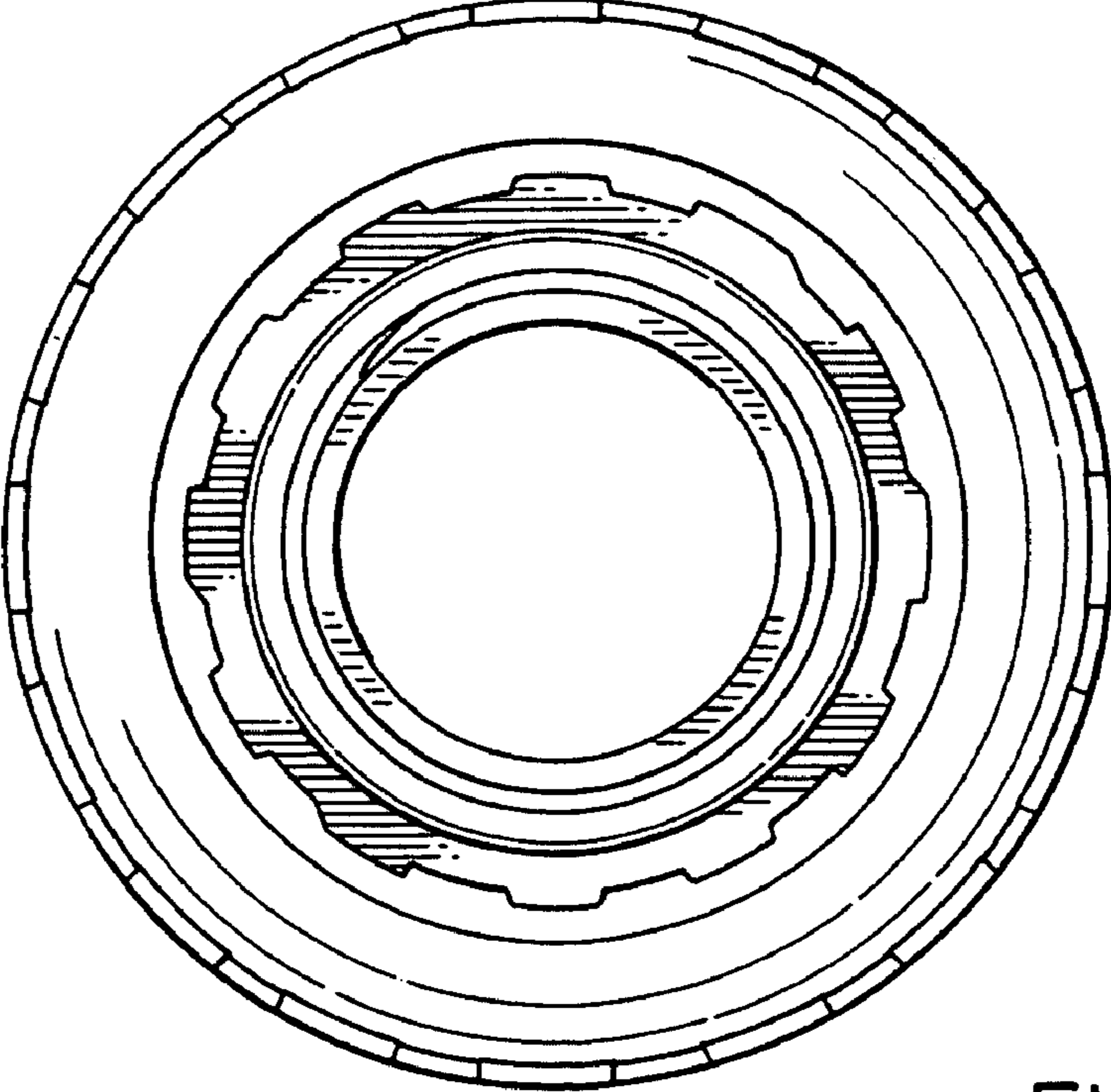


FIG. 4.

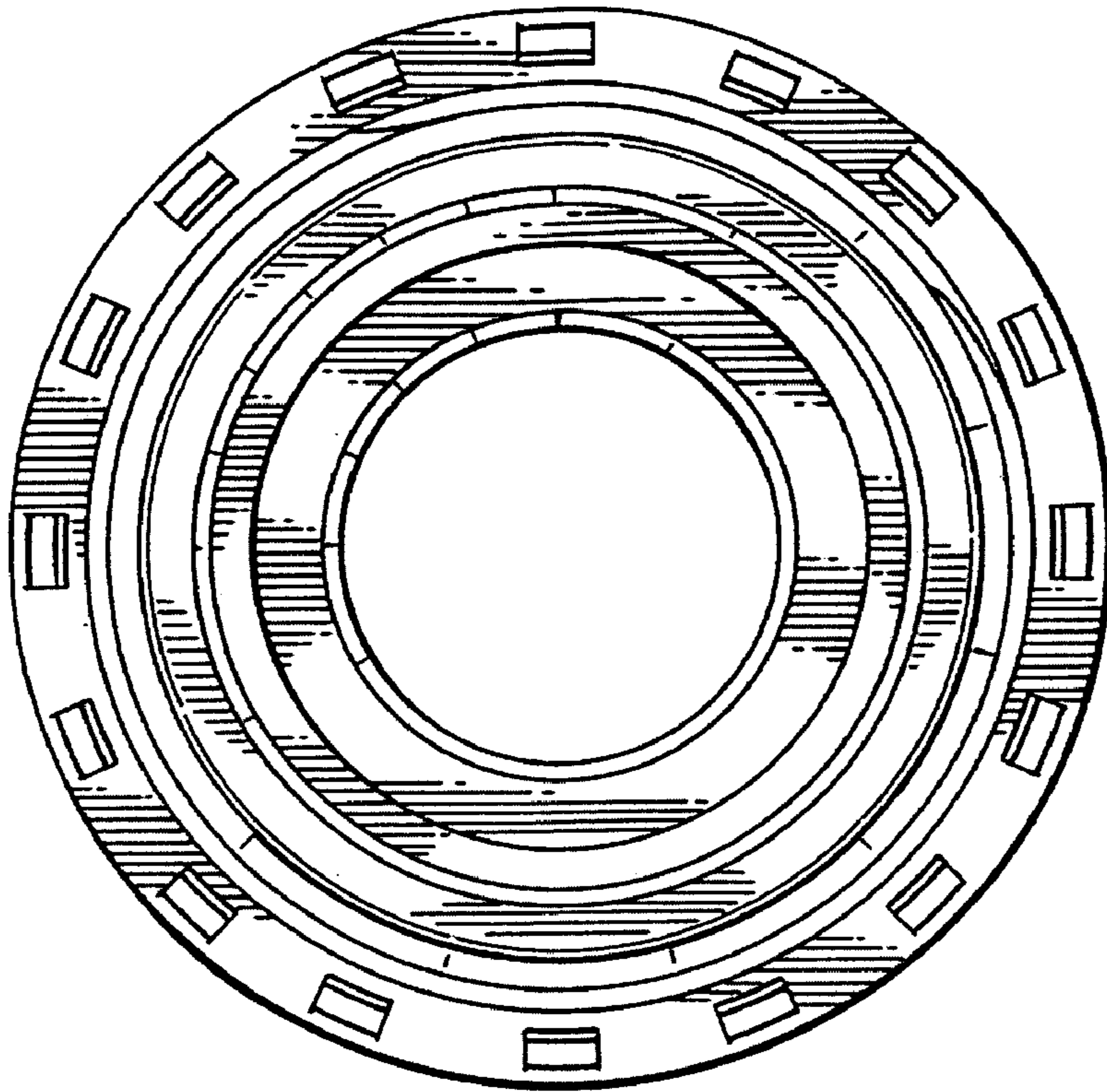


FIG. 5.

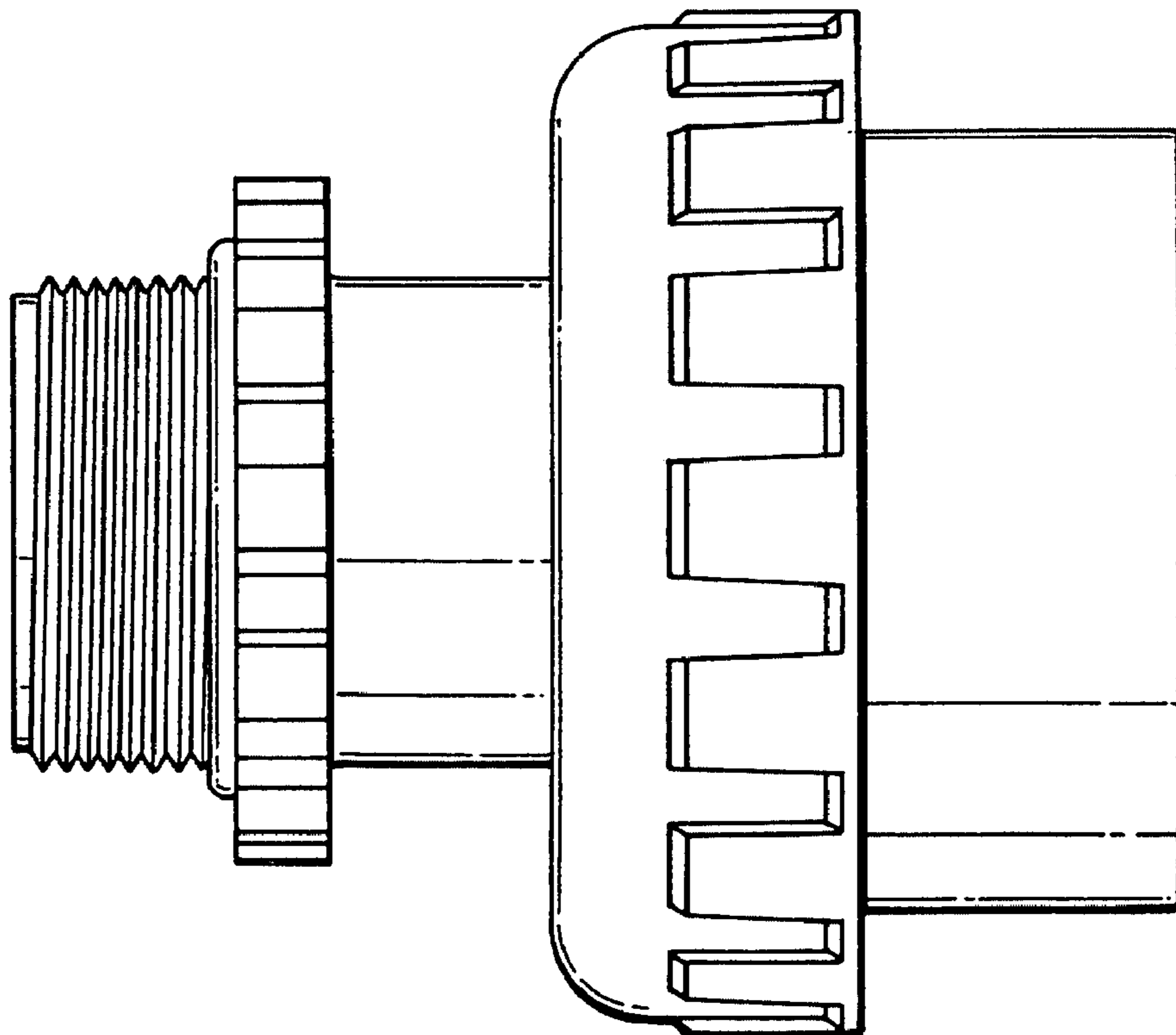


FIG. 6.