



US00D583018S

(12) **United States Design Patent**
Yamaguchi et al.

(10) **Patent No.:** **US D583,018 S**

(45) **Date of Patent:** **** Dec. 16, 2008**

(54) **SINGLE CONTROL FAUCET HANDLE**

(75) Inventors: **Daisuke Yamaguchi**, Altadena, CA (US); **Marcus Meyer**, Mission Viejo, CA (US)

(73) Assignee: **Newfrey LLC**, Newark, DE (US)

(**) Term: **14 Years**

(21) Appl. No.: **29/296,519**

(22) Filed: **Oct. 23, 2007**

(51) **LOC (8) Cl.** **23-01**

(52) **U.S. Cl.** **D23/250**

(58) **Field of Classification Search** D23/250, D23/249, 252, 254, 238, 242; D8/300, 307, D8/308; 4/675-677; 16/110.1
See application file for complete search history.

(56) **References Cited**

U.S. PATENT DOCUMENTS

D346,205 S *	4/1994	Sauter et al.	D23/252
D407,144 S *	3/1999	Formgren	D23/252
D409,289 S	5/1999	Hyde et al.		
D409,726 S	5/1999	Formgren		
D417,490 S	12/1999	Formgren		
D424,663 S	5/2000	Mark et al.		
D469,857 S	2/2003	Lim		
D470,917 S	2/2003	Friedrich		
D471,254 S	3/2003	Bonnell et al.		
D476,720 S	7/2003	Hanna		
D487,302 S	3/2004	Enslin		

D520,601 S	5/2006	Fritz		
D523,530 S *	6/2006	Schaffeld et al.	D23/252
D523,534 S	6/2006	Fritz		
D523,535 S	6/2006	Fritz		
D523,931 S	6/2006	Schaffeld et al.		
D523,932 S	6/2006	Schaffeld et al.		
D523,933 S	6/2006	Schaffeld et al.		
D529,141 S	9/2006	Green		
D535,359 S	1/2007	Koury et al.		
D568,447 S *	5/2008	Lai	D23/250
D571,897 S *	6/2008	Hanna	D23/250

* cited by examiner

Primary Examiner—Robin V Webster

(74) *Attorney, Agent, or Firm*—Richard J. Veltman; John D. DelPonti

(57) **CLAIM**

The ornamental design for a single control faucet handle, as shown and described.

DESCRIPTION

FIG. 1 is a perspective view of a single control faucet handle showing a new design;

FIG. 2 is a front view thereof;

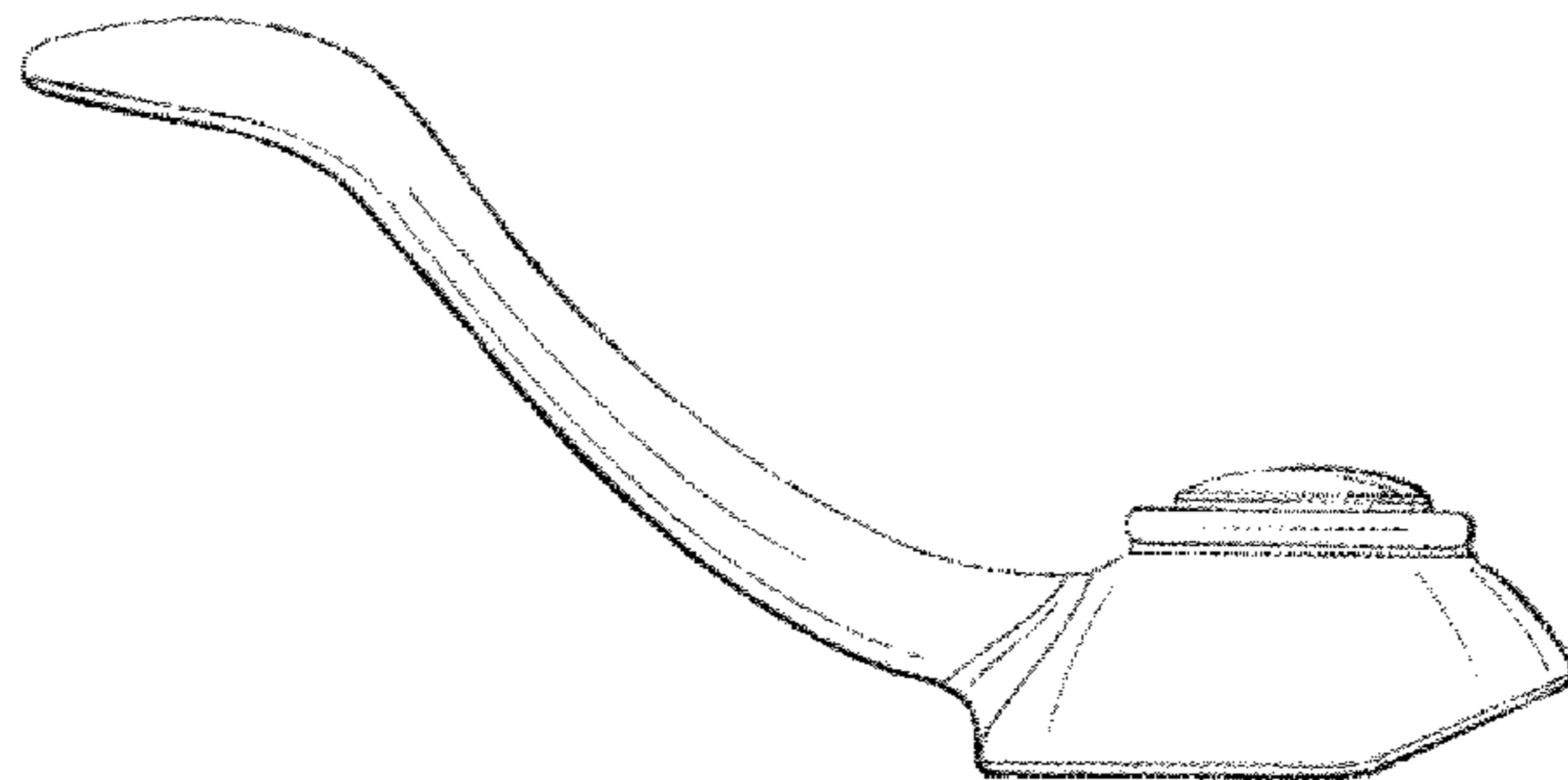
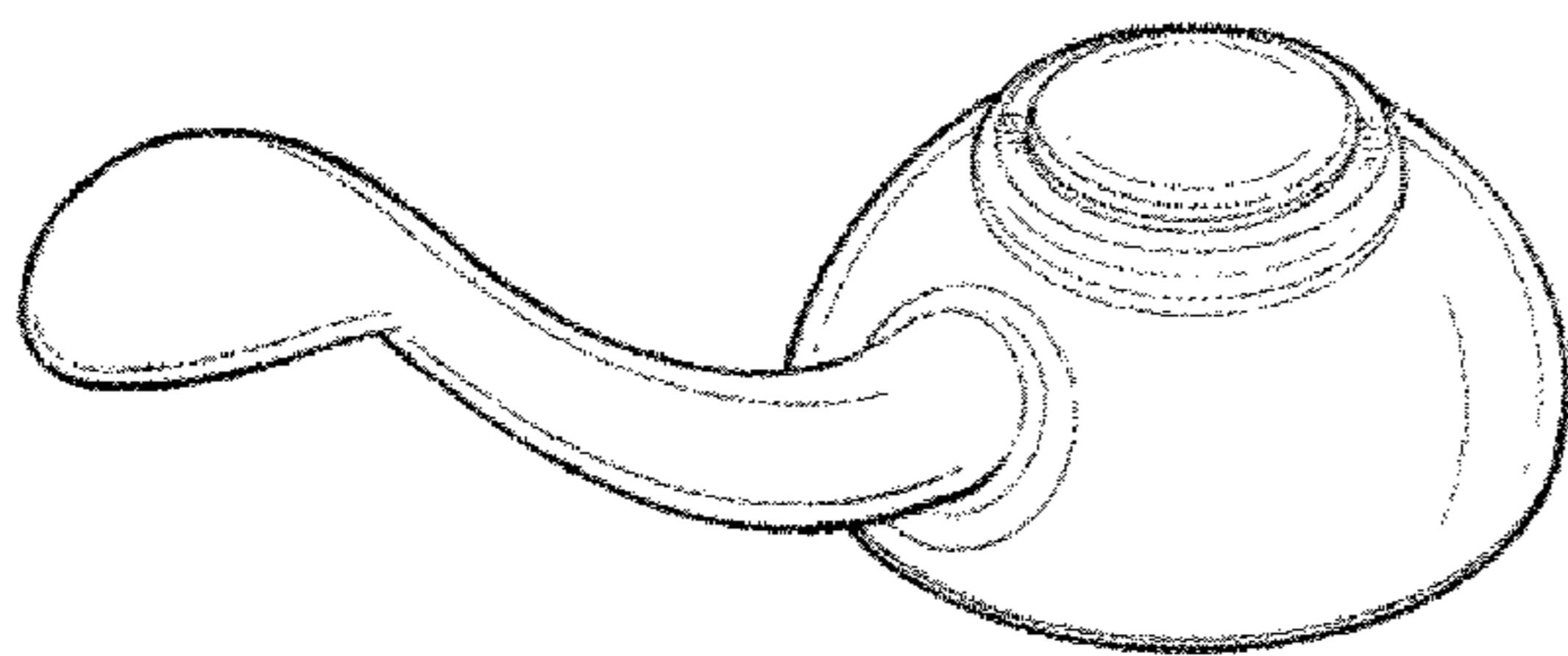
FIG. 3 is a back view thereof;

FIG. 4 is a top view thereof;

FIG. 5 is a bottom view thereof; and,

FIG. 6 is a right side view thereof, the left side being a mirror image.

1 Claim, 2 Drawing Sheets



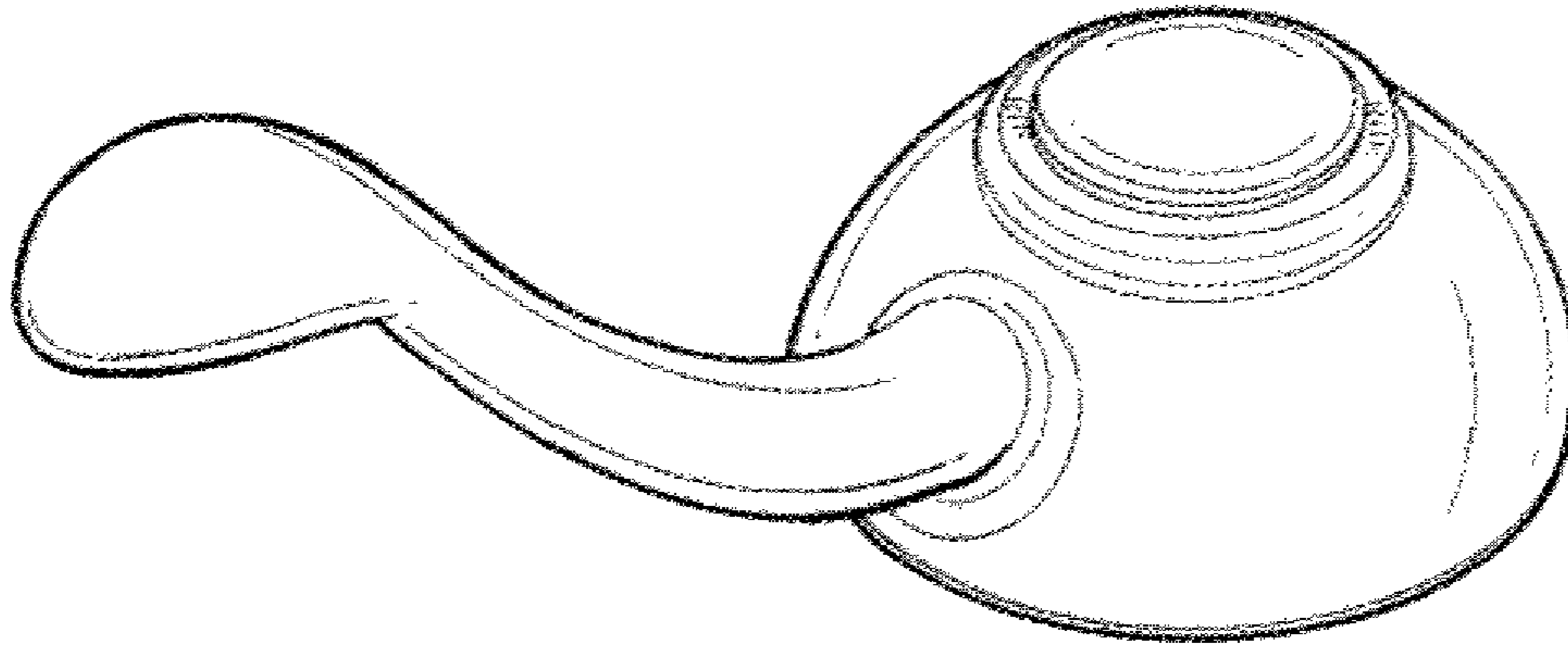


Fig. 1

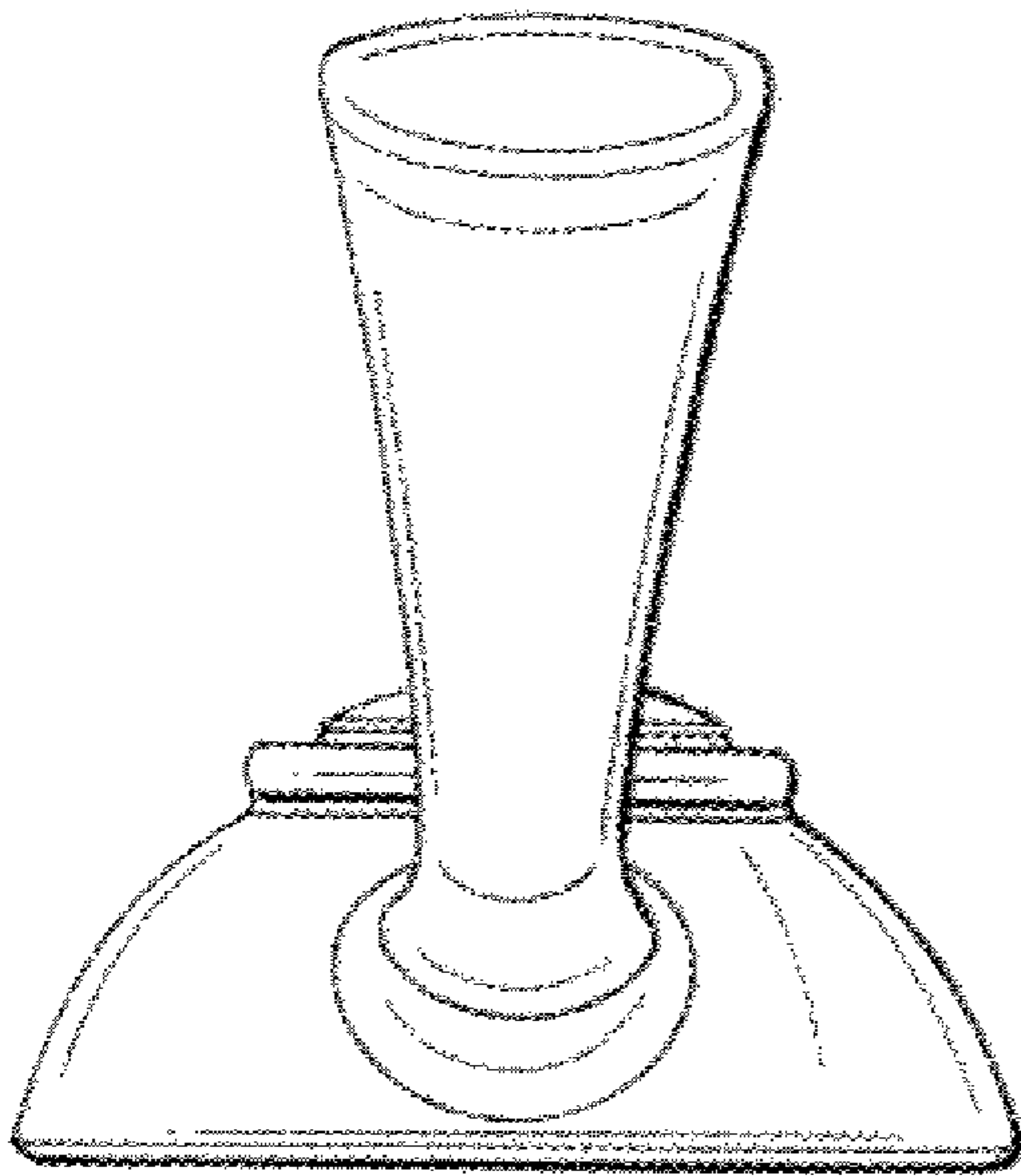


Fig. 2

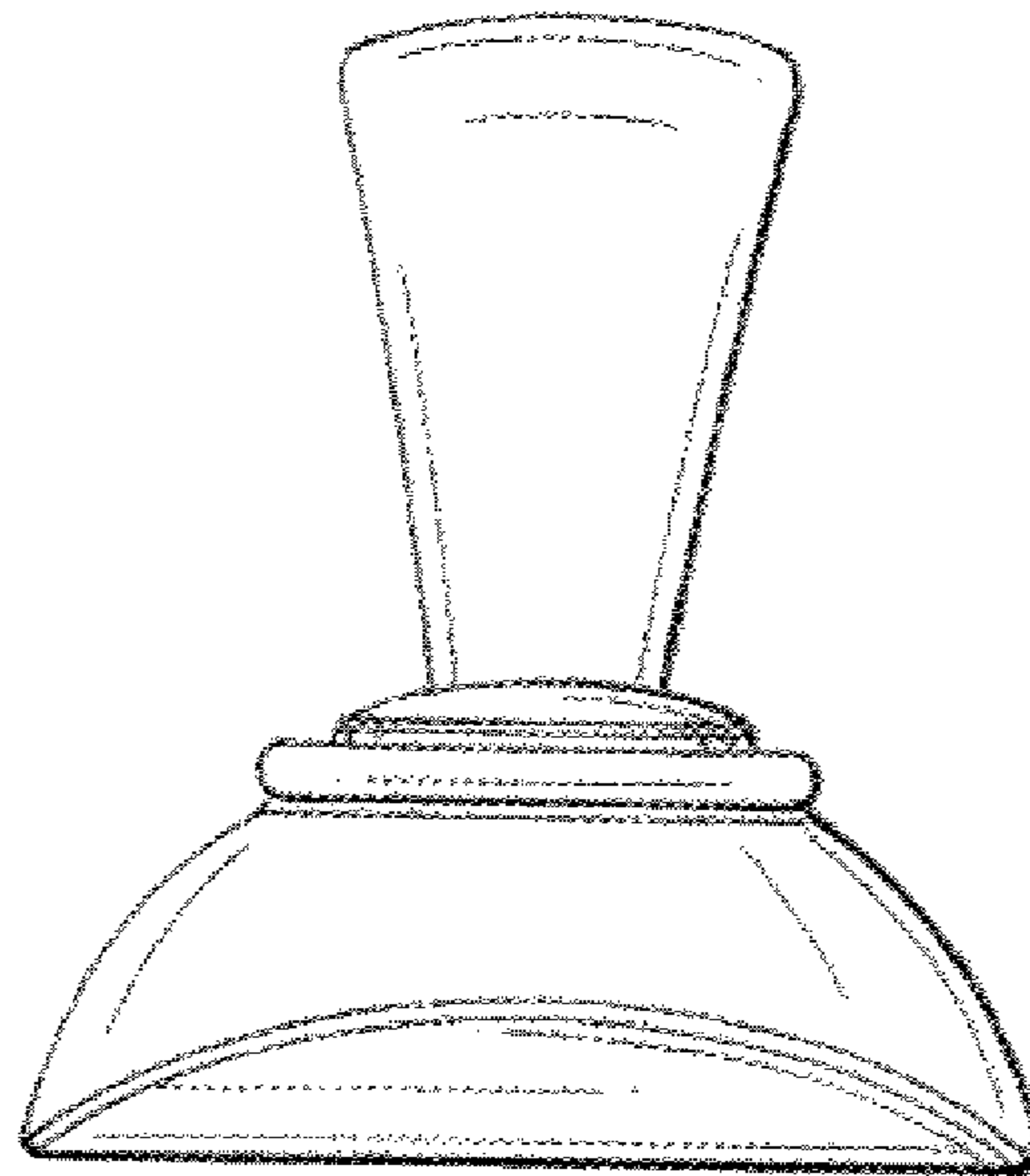


Fig. 3

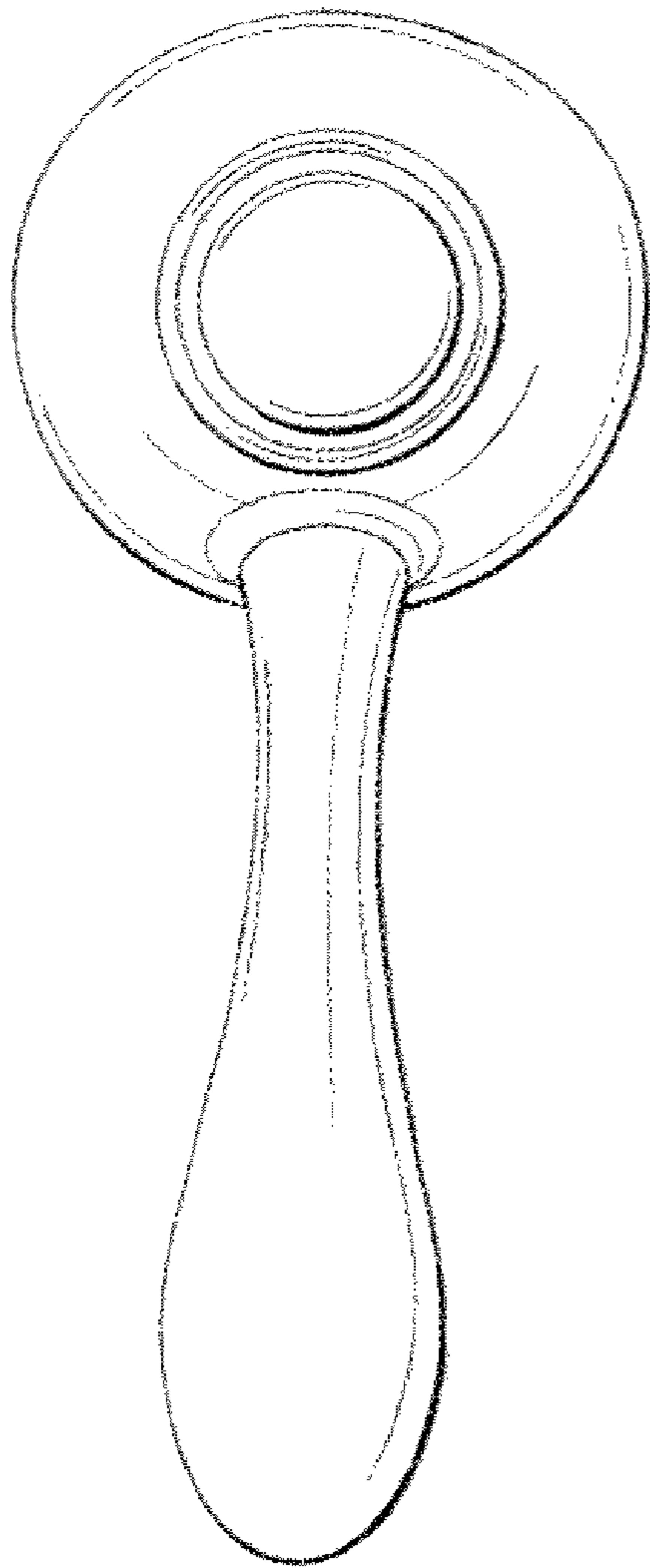


Fig. 4

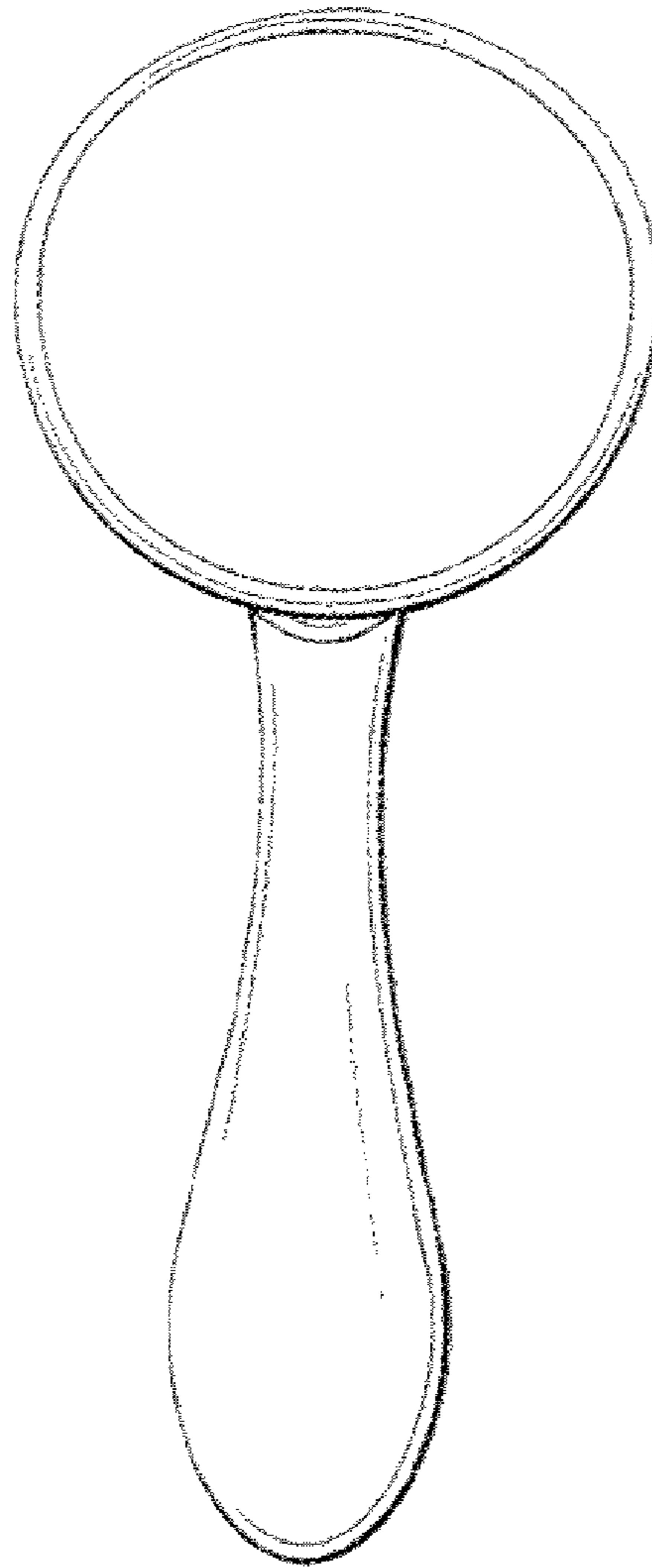


Fig. 5

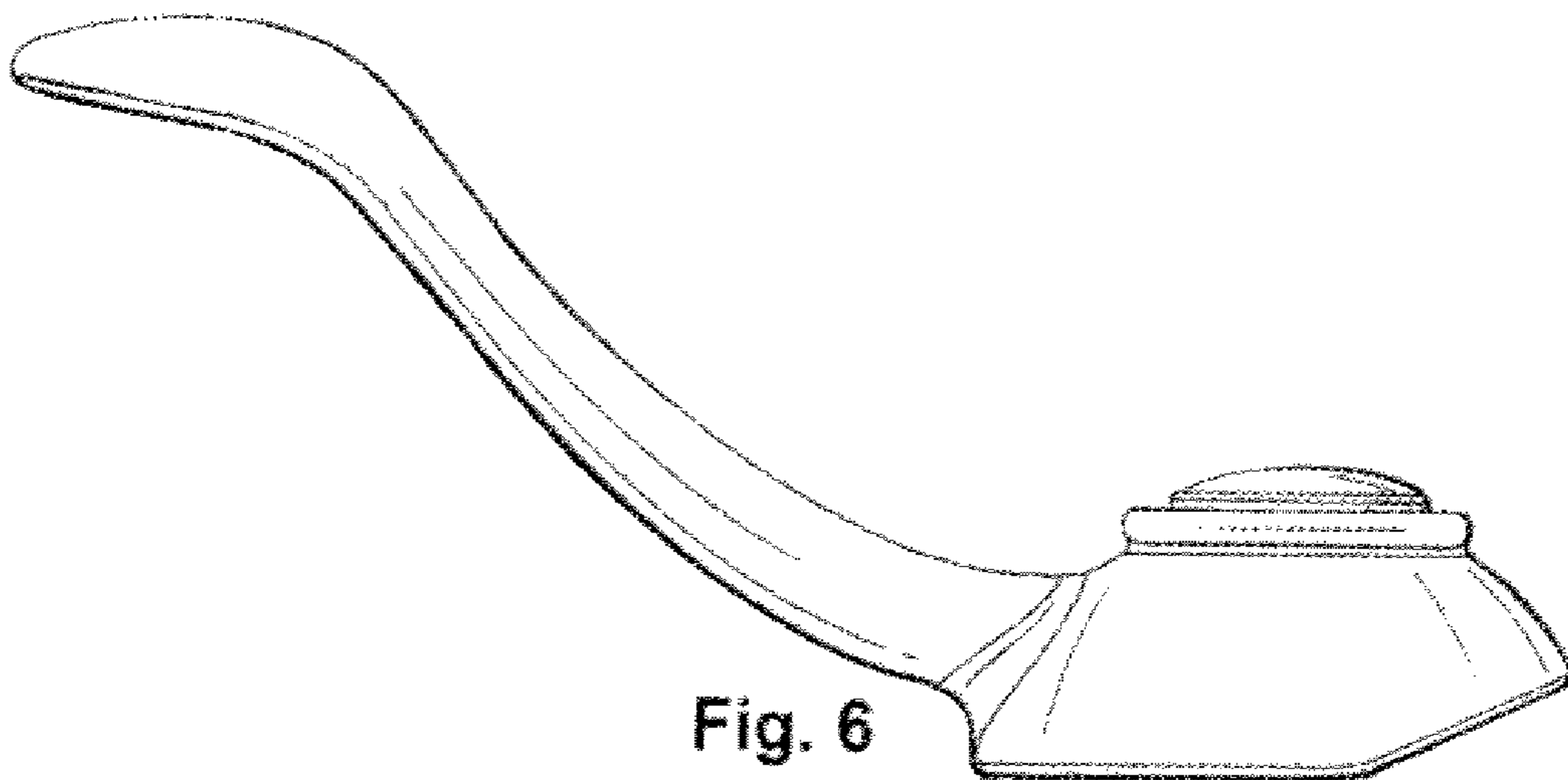


Fig. 6