



US00D583013S

(12) **United States Design Patent**
Wang

(10) **Patent No.:** **US D583,013 S**

(45) **Date of Patent:** **** Dec. 16, 2008**

(54) **PAINT SPRAY GUN**

(76) Inventor: **Hsing-Tzu Wang**, No. 80, Ta-Hsin St.,
Hsi Dist., Taichung City (TW)

(**) Term: **14 Years**

(21) Appl. No.: **29/299,788**

(22) Filed: **Jan. 4, 2008**

(51) **LOC (8) Cl.** **23-01**

(52) **U.S. Cl.** **D23/226**

(58) **Field of Classification Search** D23/213,
D23/223, 226; 239/525-6, 291, 690-1
See application file for complete search history.

(56) **References Cited**

U.S. PATENT DOCUMENTS

- D405,503 S * 2/1999 Endo D23/226
- 7,032,839 B2 * 4/2006 Blette et al. 239/302
- D538,886 S * 3/2007 Huang D23/226
- D551,321 S * 9/2007 Huang D23/226

D570,448 S * 6/2008 Wang D23/226

* cited by examiner

Primary Examiner—Robin V Webster

(74) *Attorney, Agent, or Firm*—Myron Greenspan;
Lackebach Siegel LLP

(57) **CLAIM**

The ornamental design for paint spray gun, as shown and described.

DESCRIPTION

FIG. 1 is a perspective view of paint spray gun showing my new design;

FIG. 2 is a front elevational view thereof;

FIG. 3 is a rear elevational view thereof;

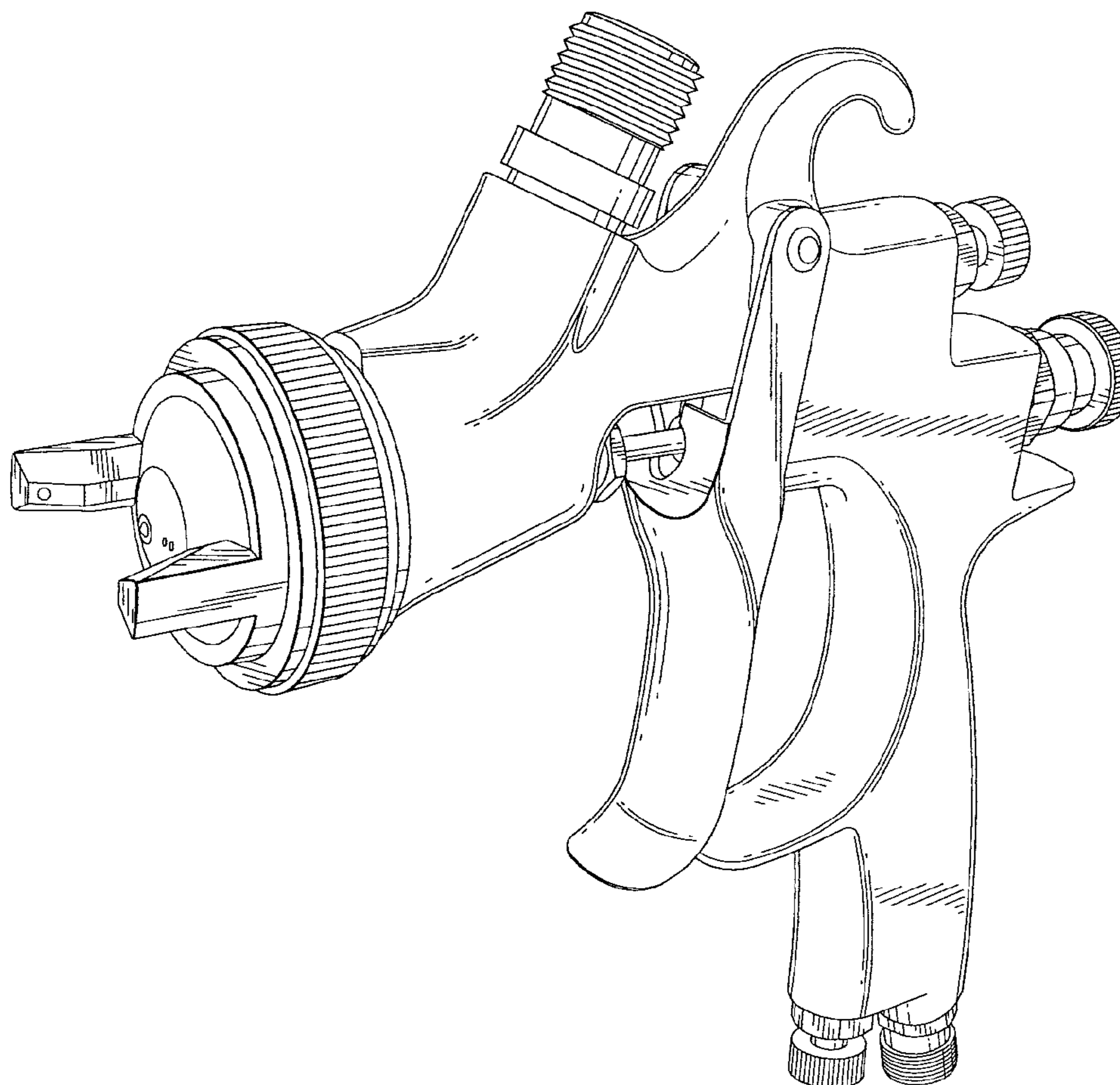
FIG. 4 is a left side elevational view thereof;

FIG. 5 is a right side elevational view thereof;

FIG. 6 is a top plan view thereof; and,

FIG. 7 is a bottom plan view thereof.

1 Claim, 6 Drawing Sheets



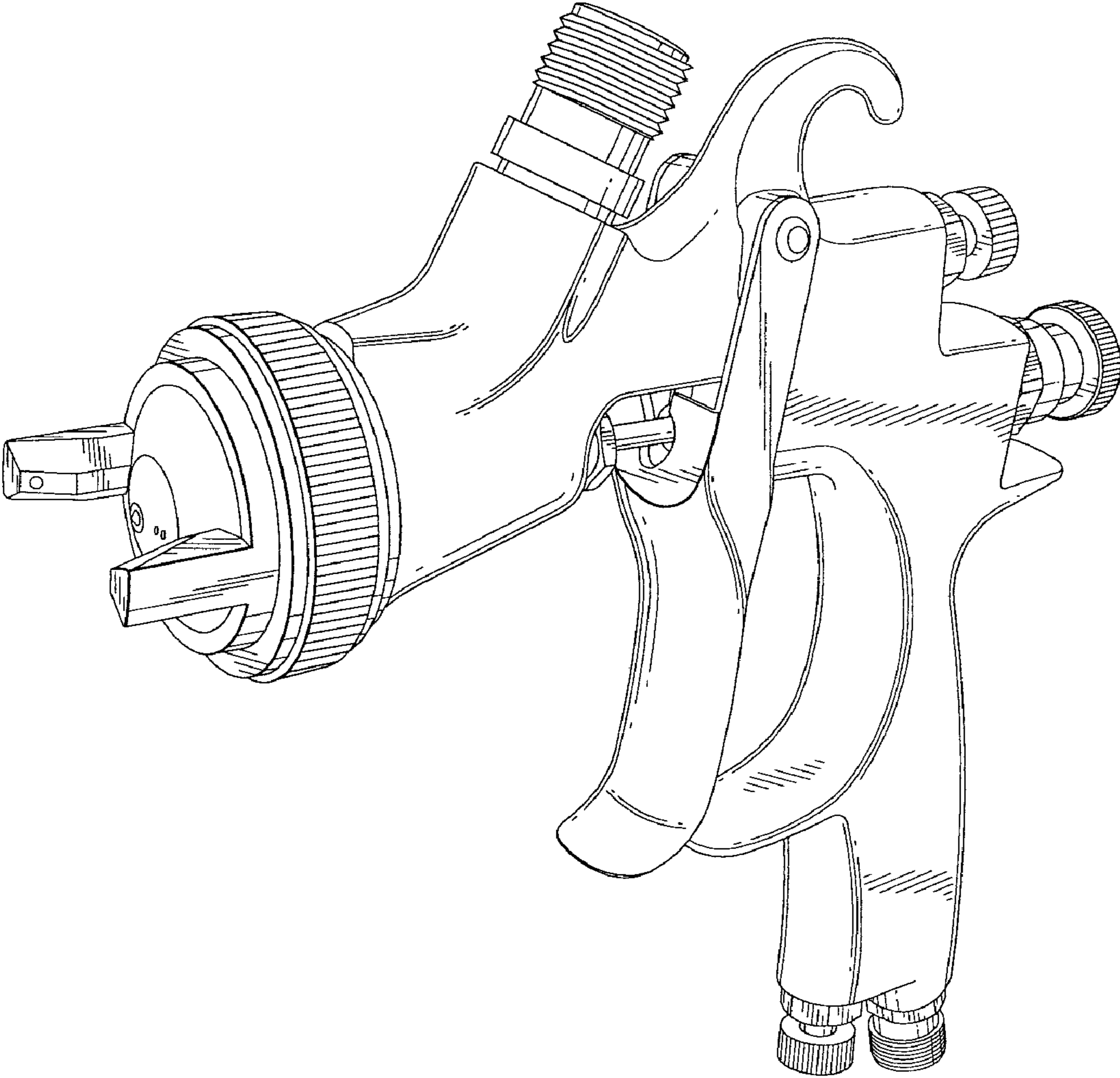


FIG. 1

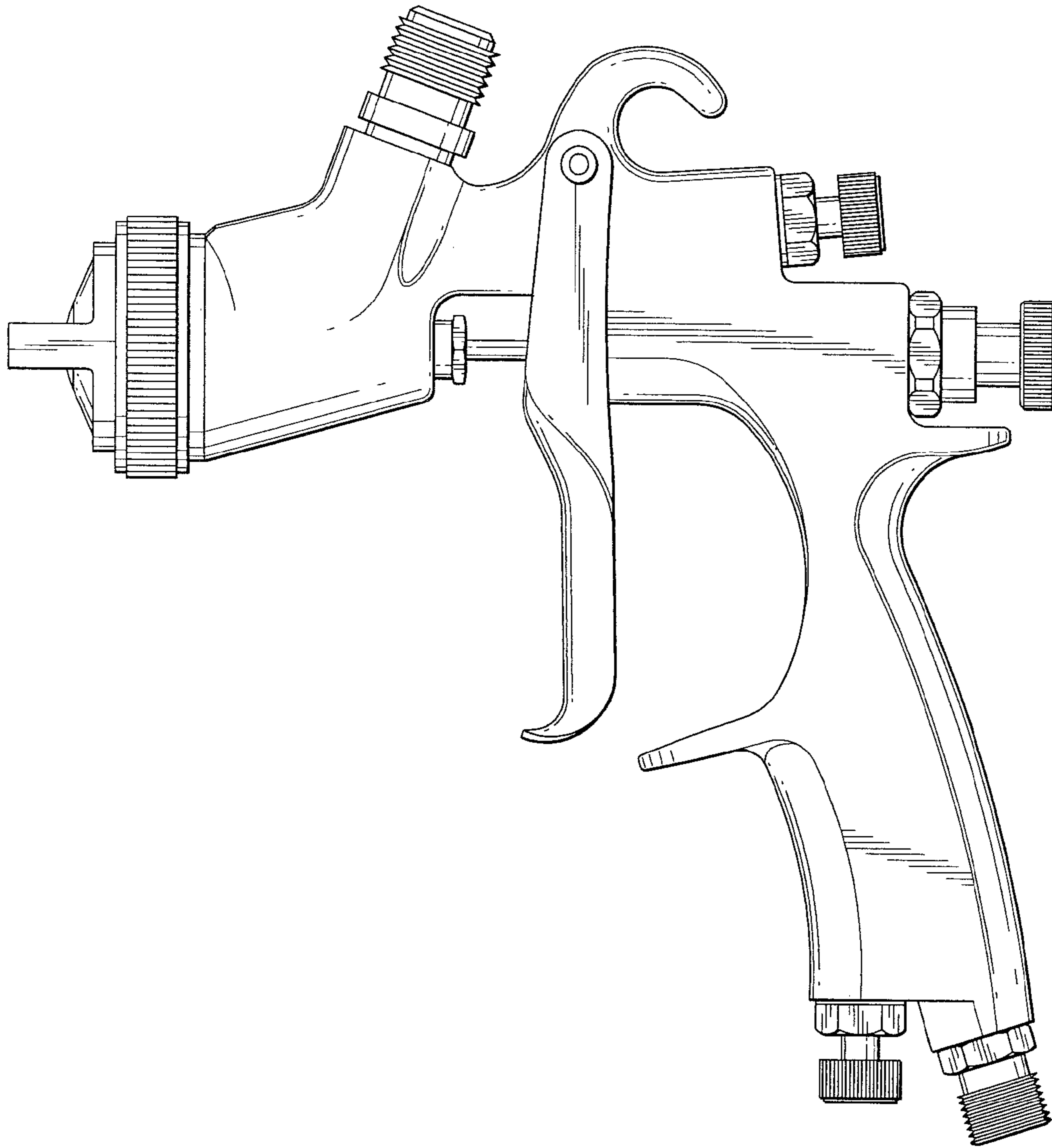


FIG. 2

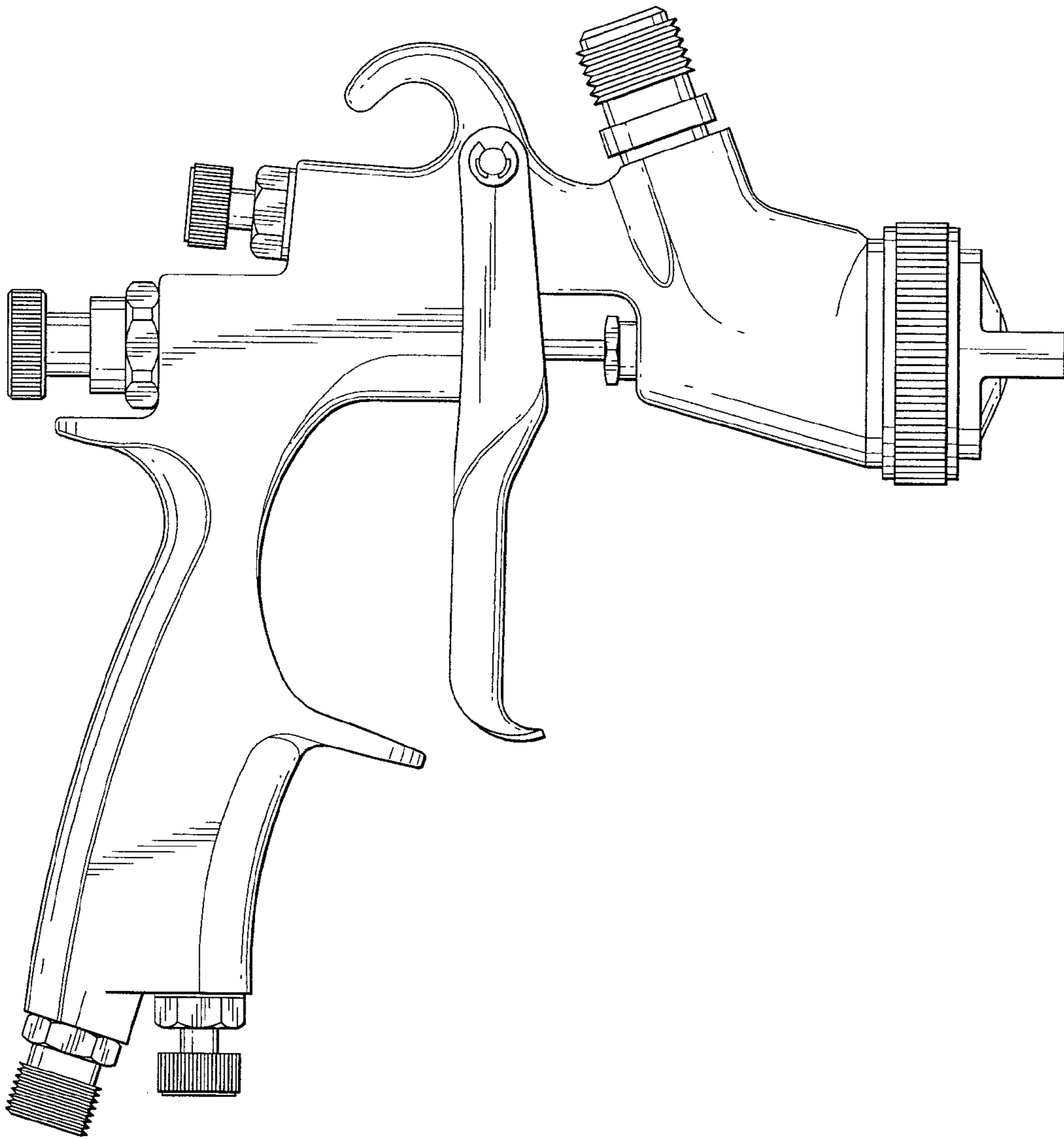


FIG. 3

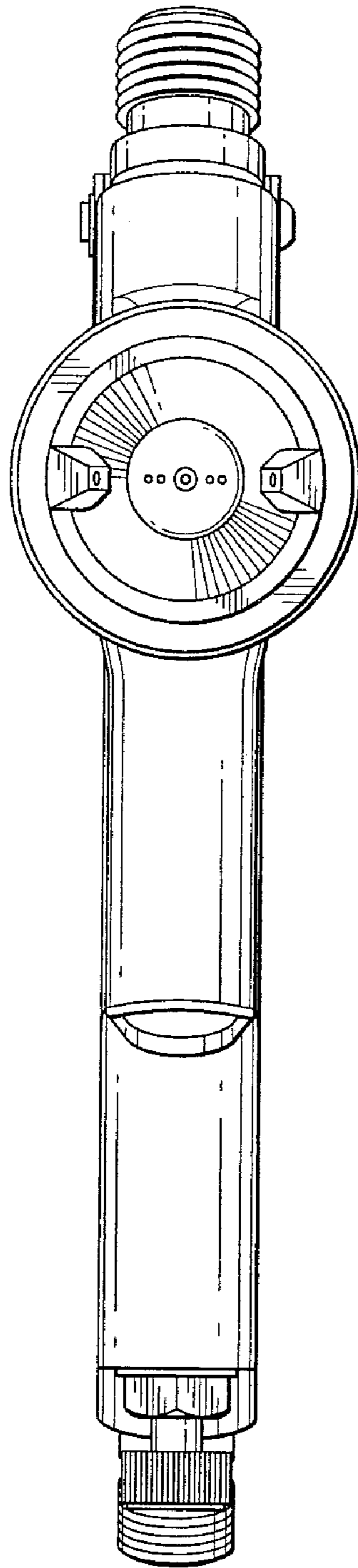


FIG. 4

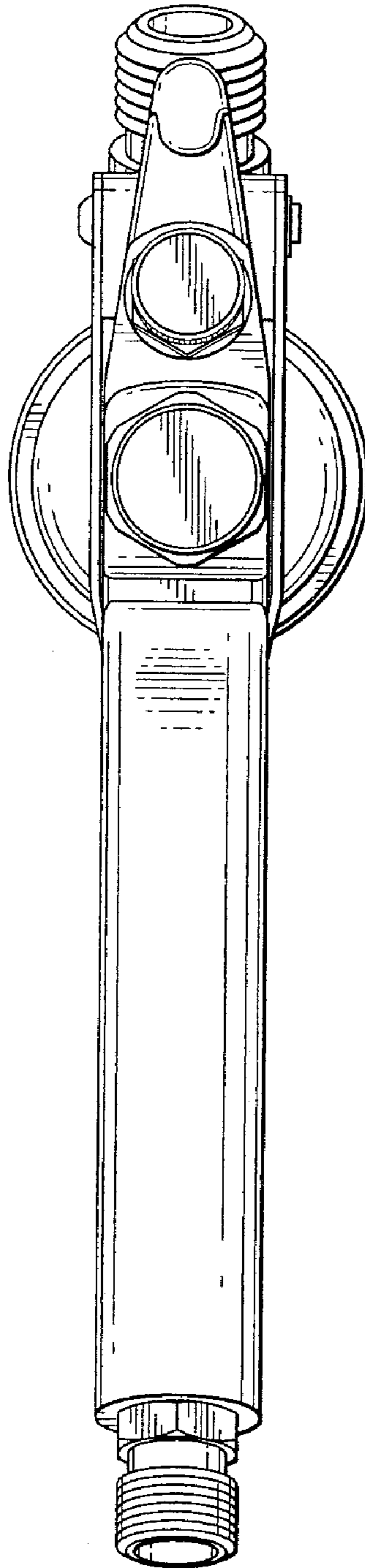


FIG. 5

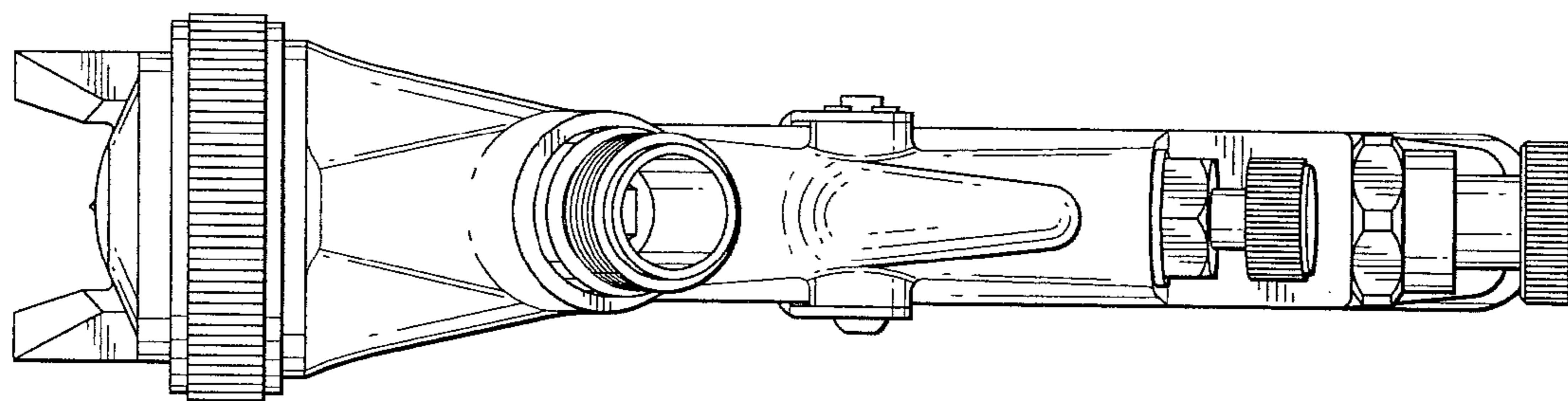


FIG. 6

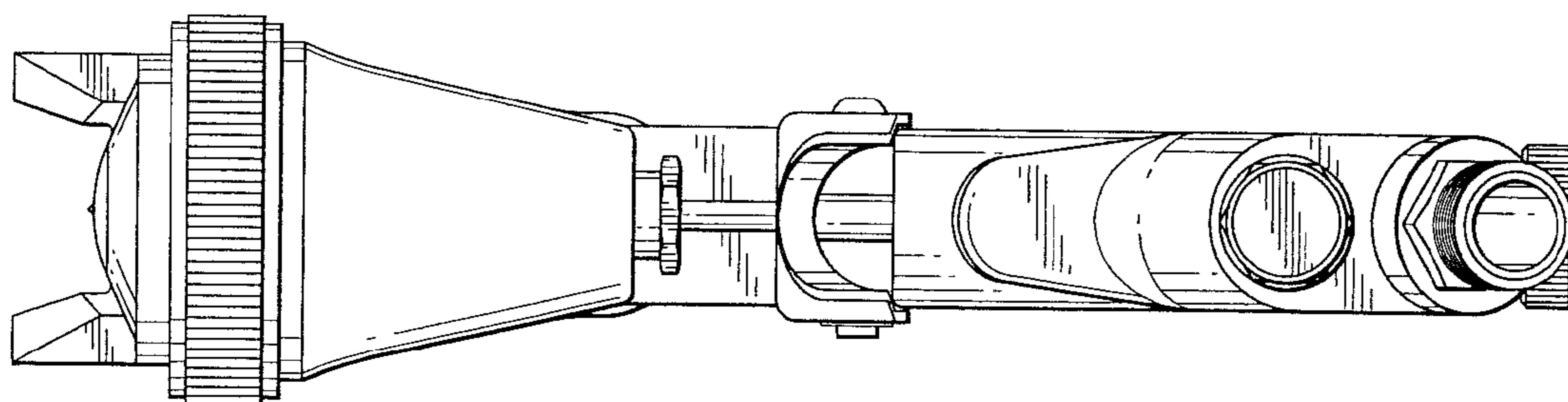


FIG. 7