



US00D583012S

(12) **United States Design Patent**
McGilloway et al.

(10) **Patent No.:** **US D583,012 S**

(45) **Date of Patent:** **** Dec. 16, 2008**

(54) **SPRAY HEAD**

(75) Inventors: **Stephen McGilloway**, Mallusk (GB);
Edward J Gilmore, Ballywalter (GB)

(73) Assignee: **Munster Simms Engineering Limited**,
Bangor, County Down (GB)

(**) Term: **14 Years**

(21) Appl. No.: **29/299,514**

(22) Filed: **Dec. 28, 2007**

(30) **Foreign Application Priority Data**

Jul. 19, 2007 (EM) 000760632
Oct. 10, 2007 (EM) 000805957

(51) **LOC (8) Cl.** **23-01**

(52) **U.S. Cl.** **D23/213**

(58) **Field of Classification Search** D23/213,
D23/223; 239/459, 460
See application file for complete search history.

(56) **References Cited**

U.S. PATENT DOCUMENTS

D156,676 S * 12/1949 Skidmore D9/688
D179,697 S * 2/1957 Price D23/223

D330,407 S * 10/1992 Raffo D23/213
D391,349 S * 2/1998 Chih D23/229
D459,434 S * 6/2002 Fauquet D23/213
D549,802 S * 8/2007 Guenther D23/213

* cited by examiner

Primary Examiner—Robin V Webster

(74) *Attorney, Agent, or Firm*—Porter, Wright, Morris &
Arthur, LLP

(57) **CLAIM**

The ornamental design for a spray head, as shown and described.

DESCRIPTION

FIG. 1 is a front perspective view of a spray head according to our new design;

FIG. 2 is a rear perspective view thereof;

FIG. 3 is a front elevational view thereof;

FIG. 4 is a right side elevational view thereof;

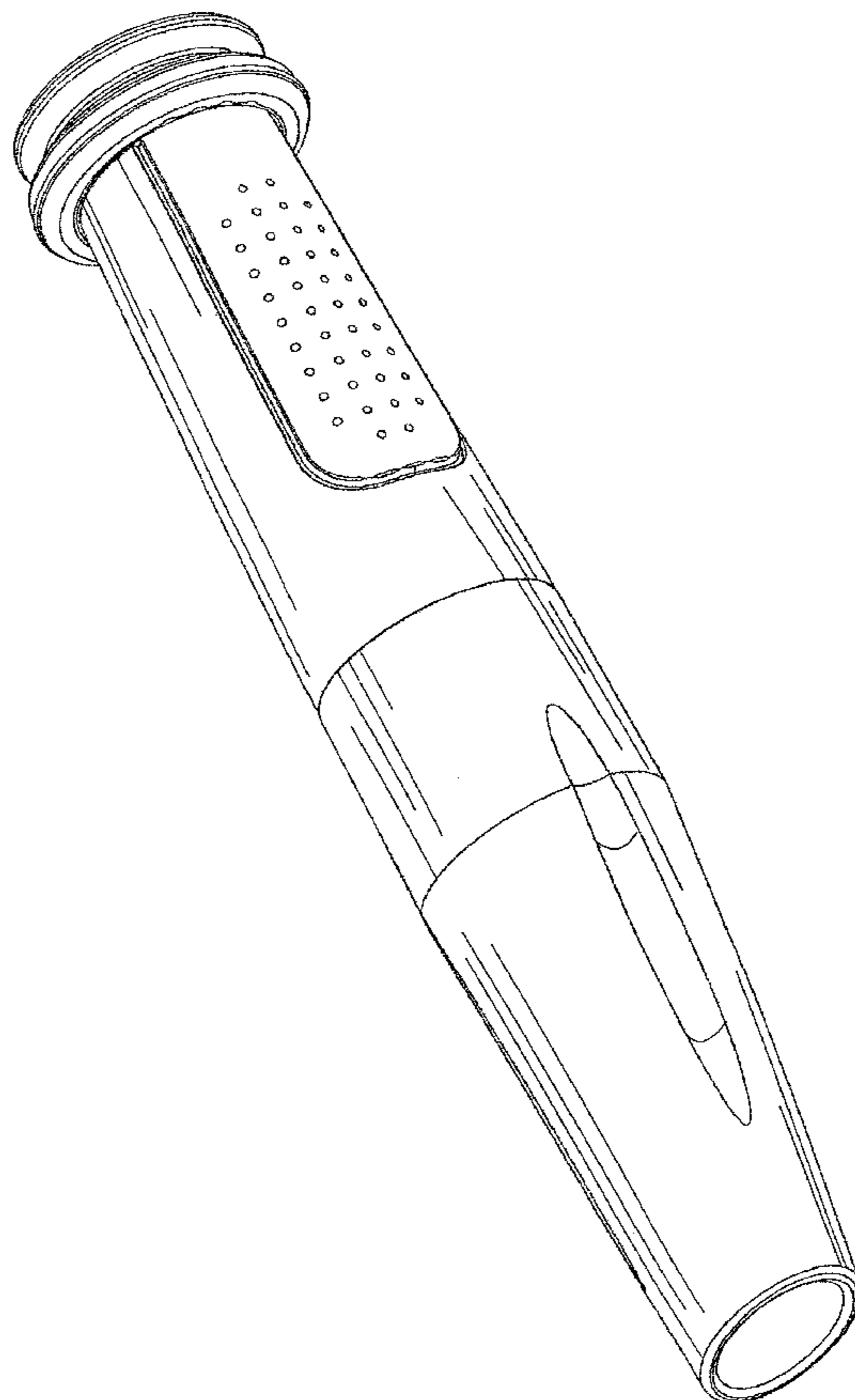
FIG. 5 is a left side elevational view thereof;

FIG. 6 is a rear elevational view thereof;

FIG. 7 is an enlarged top plan view thereof; and,

FIG. 8 is an enlarged bottom plan view thereof.

1 Claim, 8 Drawing Sheets



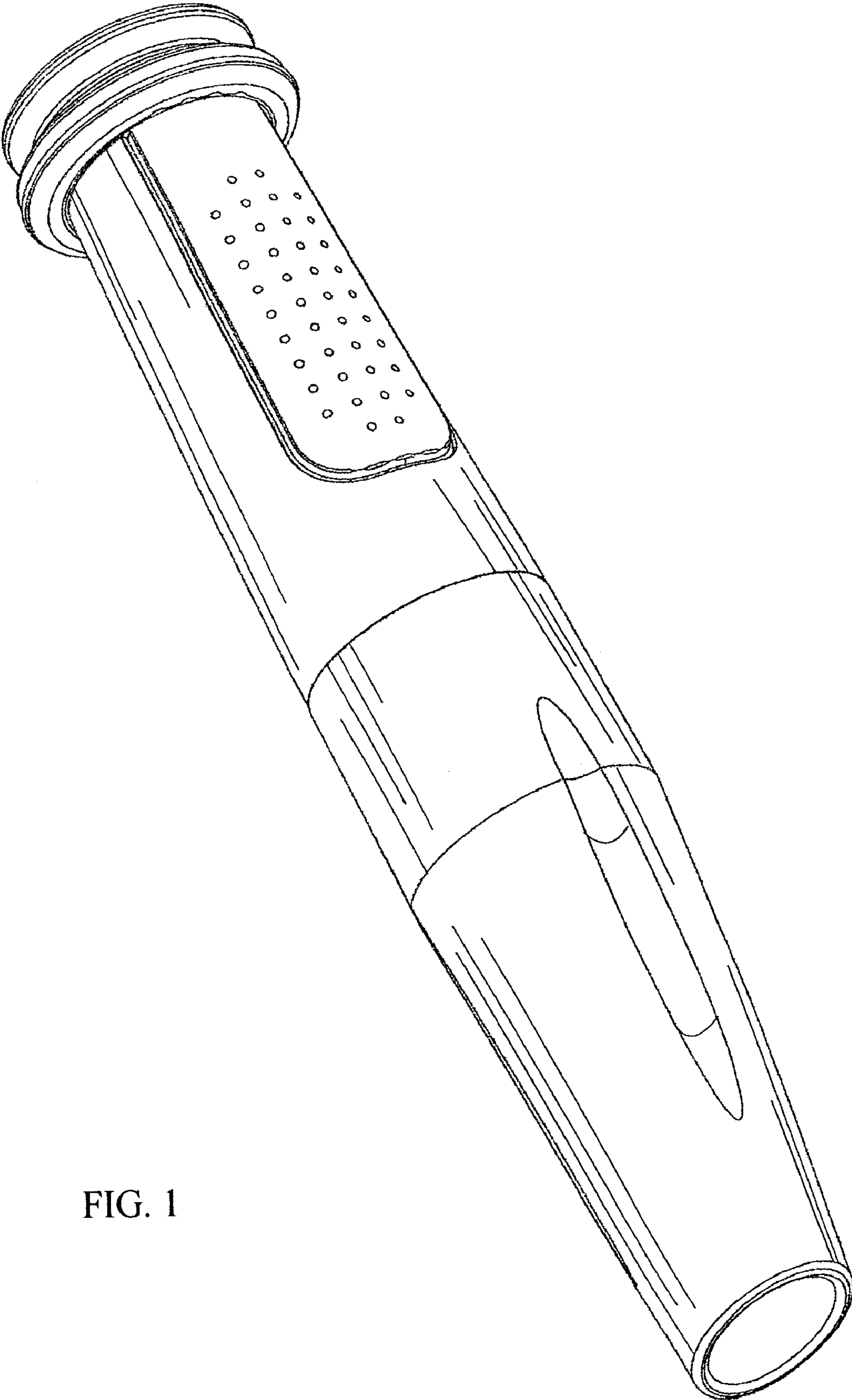


FIG. 1

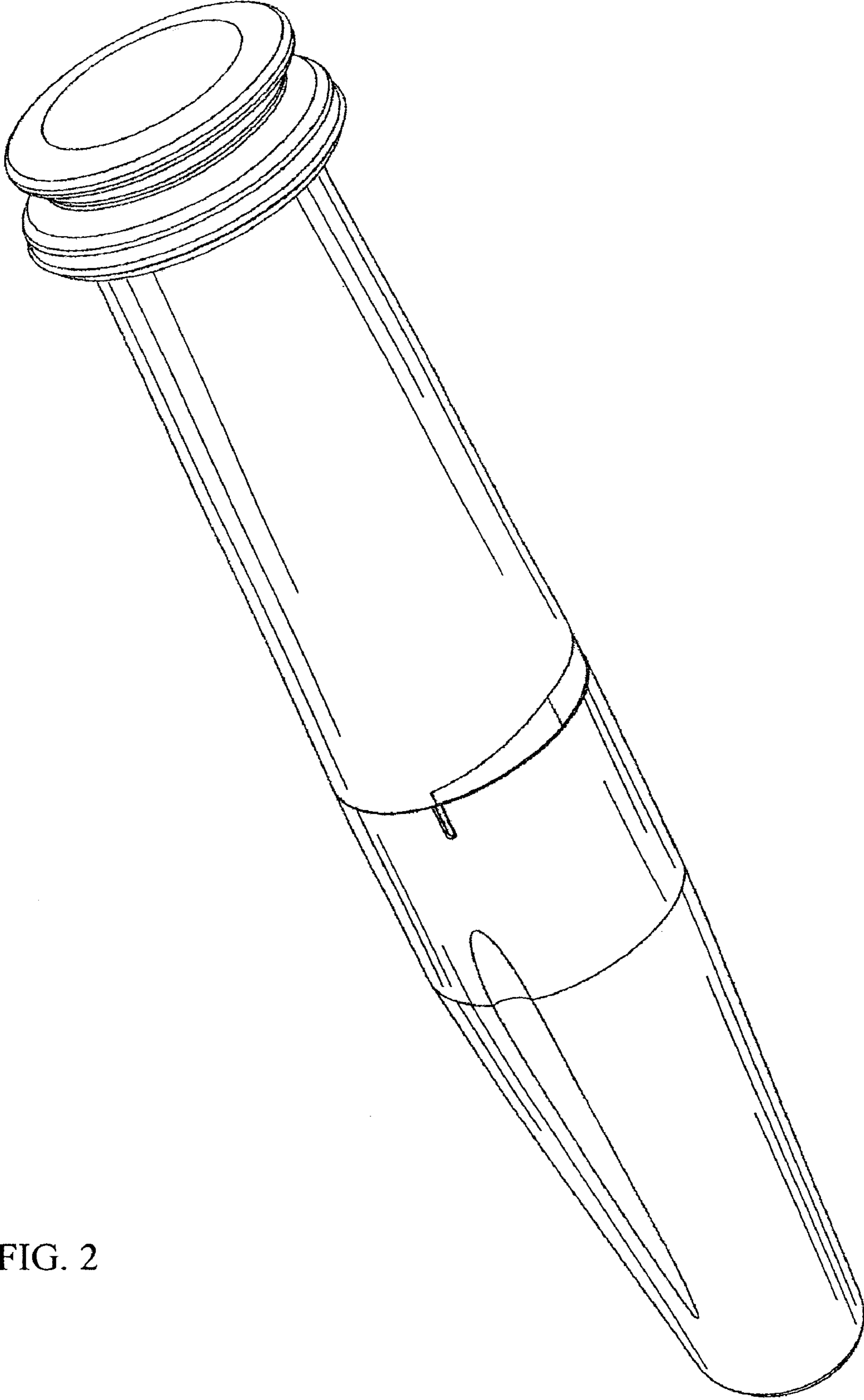


FIG. 2

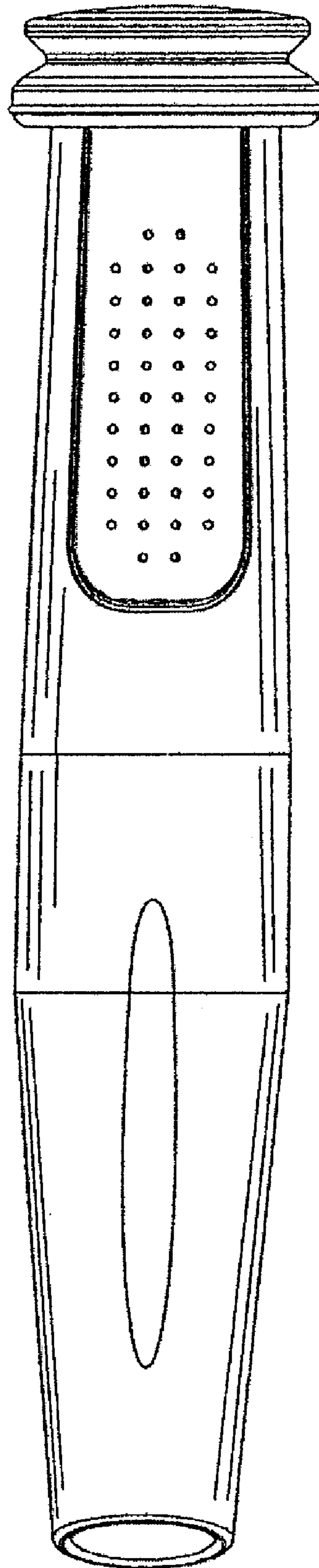


FIG. 3

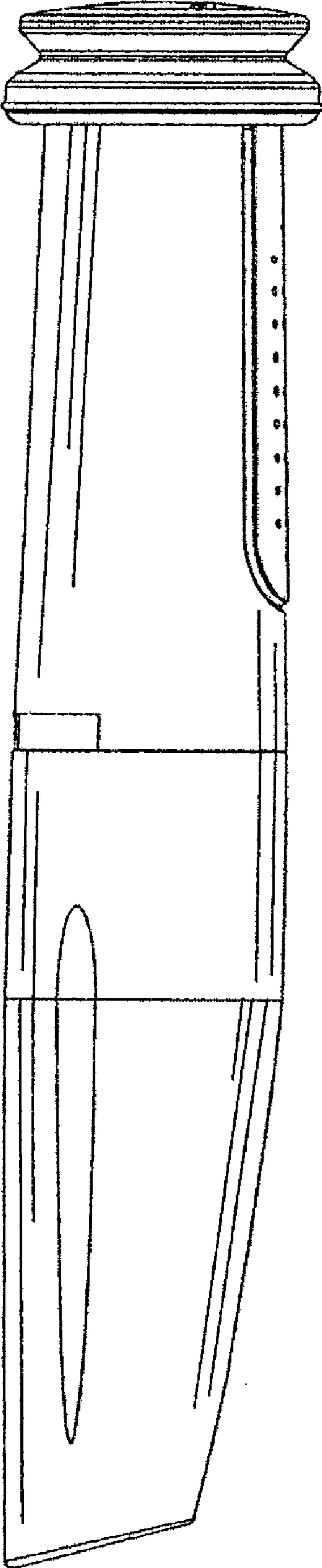


FIG. 4

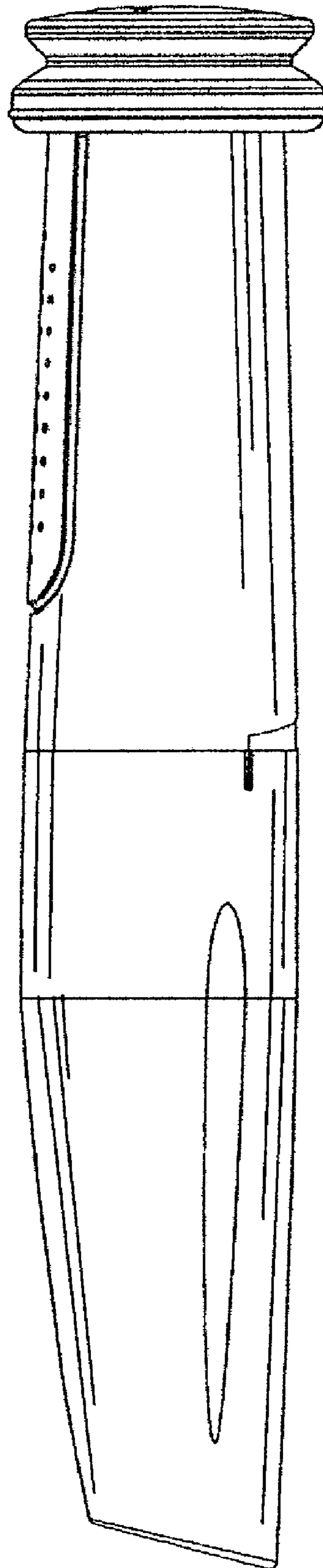


FIG. 5

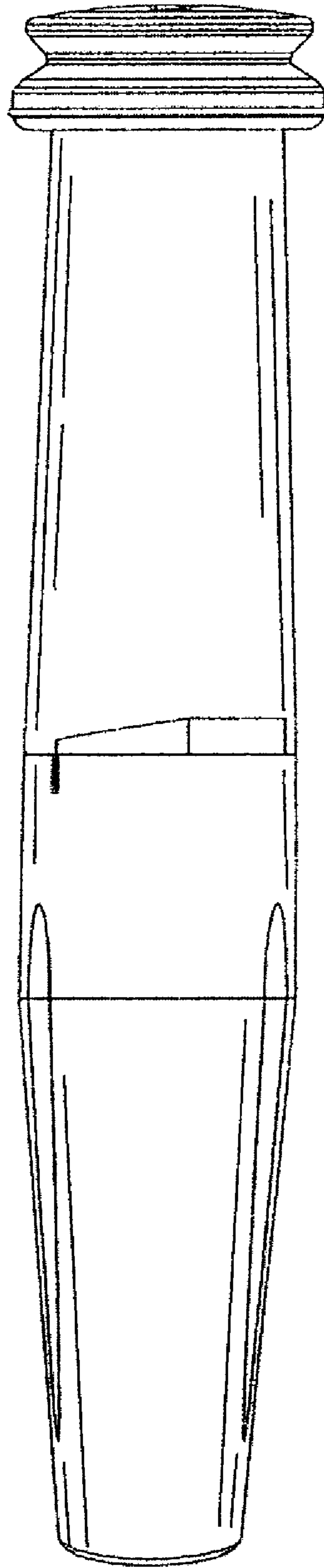


FIG. 6

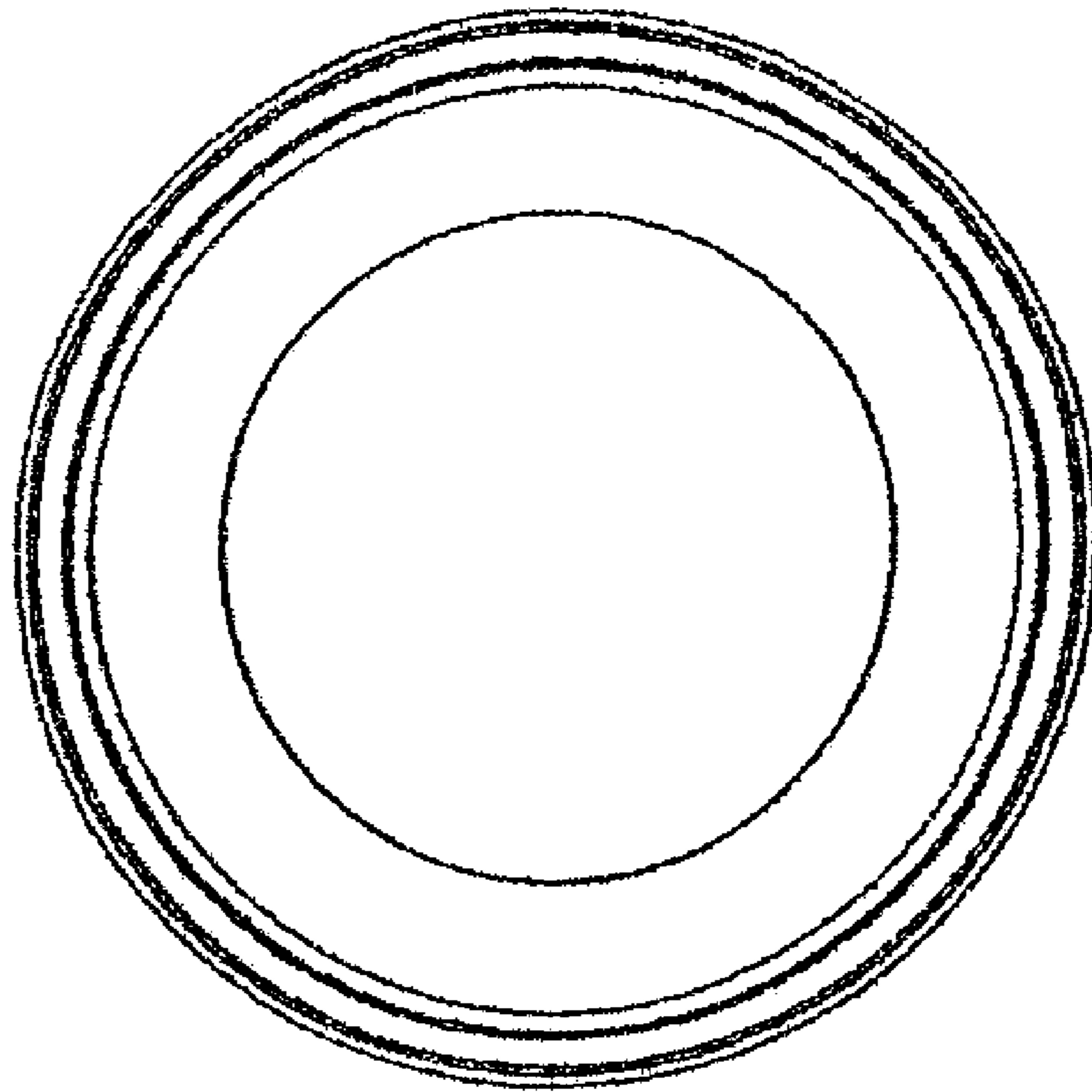


FIG. 7

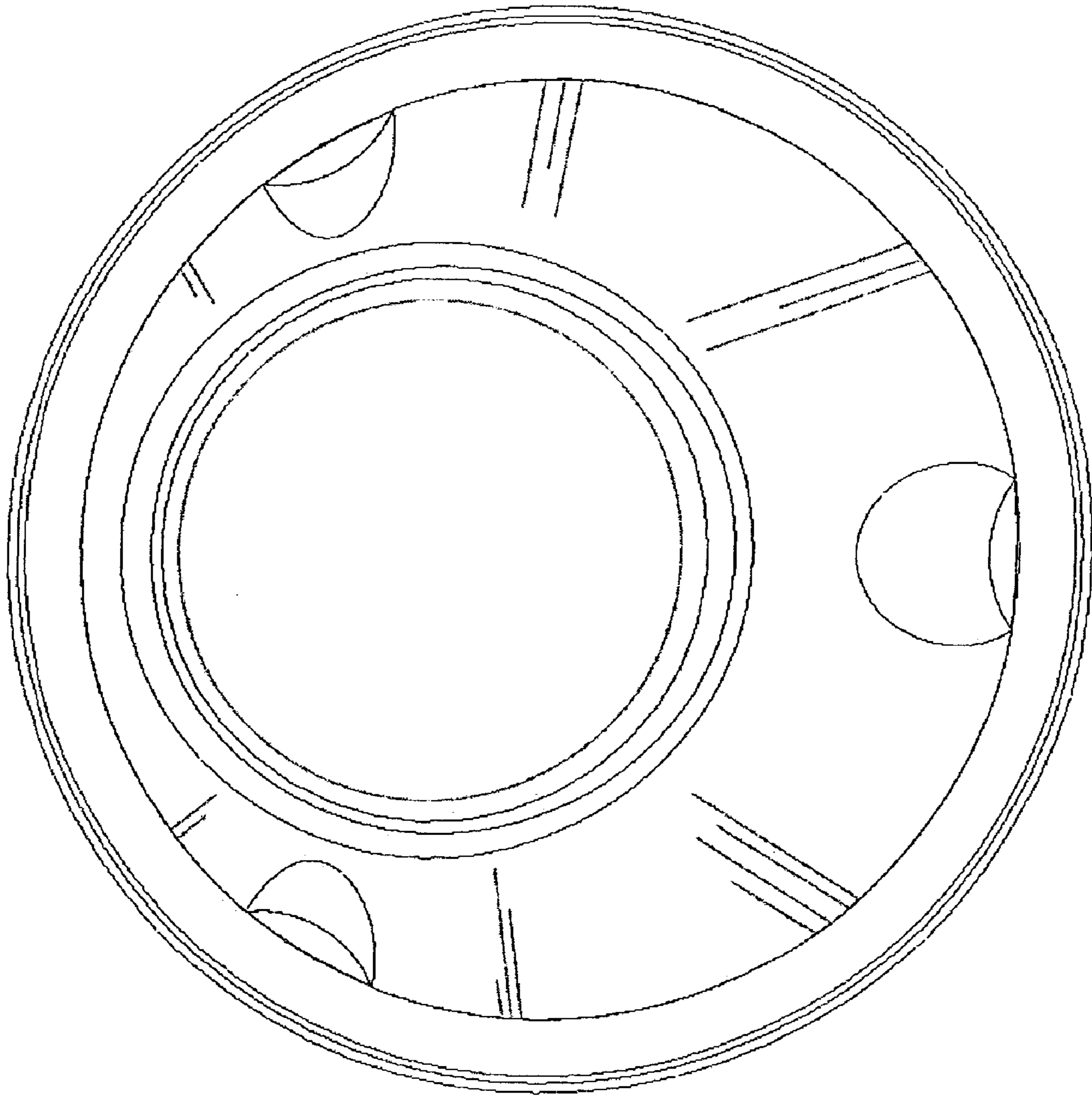


FIG. 8