



US00D583011S

(12) **United States Design Patent**
Lee

(10) **Patent No.:** **US D583,011 S**
(45) **Date of Patent:** **** Dec. 16, 2008**

(54) **FISHING REEL**

(75) Inventor: **Joon Yong Lee**, Bucheon-si (KR)

(73) Assignee: **Cocus Co., Ltd.**, Bucheon-Si,
Gyeonggi-Do (KR)

(**) Term: **14 Years**

(21) Appl. No.: **29/323,033**

(22) Filed: **Aug. 15, 2008**

(30) **Foreign Application Priority Data**

Feb. 15, 2008 (KR) 30-2008-0006403

(51) **LOC (8) Cl.** **22-05**

(52) **U.S. Cl.** **D22/140**

(58) **Field of Classification Search** D22/140,
D22/137-139, 141; 242/234-240, 310-319,
242/322; 43/19-22

See application file for complete search history.

(56) **References Cited**

U.S. PATENT DOCUMENTS

D436,645 S * 1/2001 Kim et al. D22/140

D476,715 S * 7/2003 Robbins et al. D22/140

D500,354 S 12/2004 Iwabuchi
D500,547 S * 1/2005 Gray D22/140
D530,778 S 10/2006 Young
D542,883 S 5/2007 Higuchi et al.
D561,870 S 2/2008 Myojo
D565,147 S 3/2008 Nago
D572,336 S * 7/2008 Asano et al. D22/140

* cited by examiner

Primary Examiner—Catherine R Oliver

(74) *Attorney, Agent, or Firm*—IPLA P.A.; James E. Bame

(57) **CLAIM**

The ornamental design for a fishing reel, as shown and described.

DESCRIPTION

FIG. 1 is a perspective view of my new design;

FIG. 2 is a front elevational view thereof;

FIG. 3 is a rear elevational view thereof;

FIG. 4 is a left side elevational view thereof;

FIG. 5 is a right side elevational view thereof;

FIG. 6 is a top plan view thereof; and,

FIG. 7 is a bottom plan view thereof.

1 Claim, 7 Drawing Sheets



Figure 1



Figure 2



Figure 3

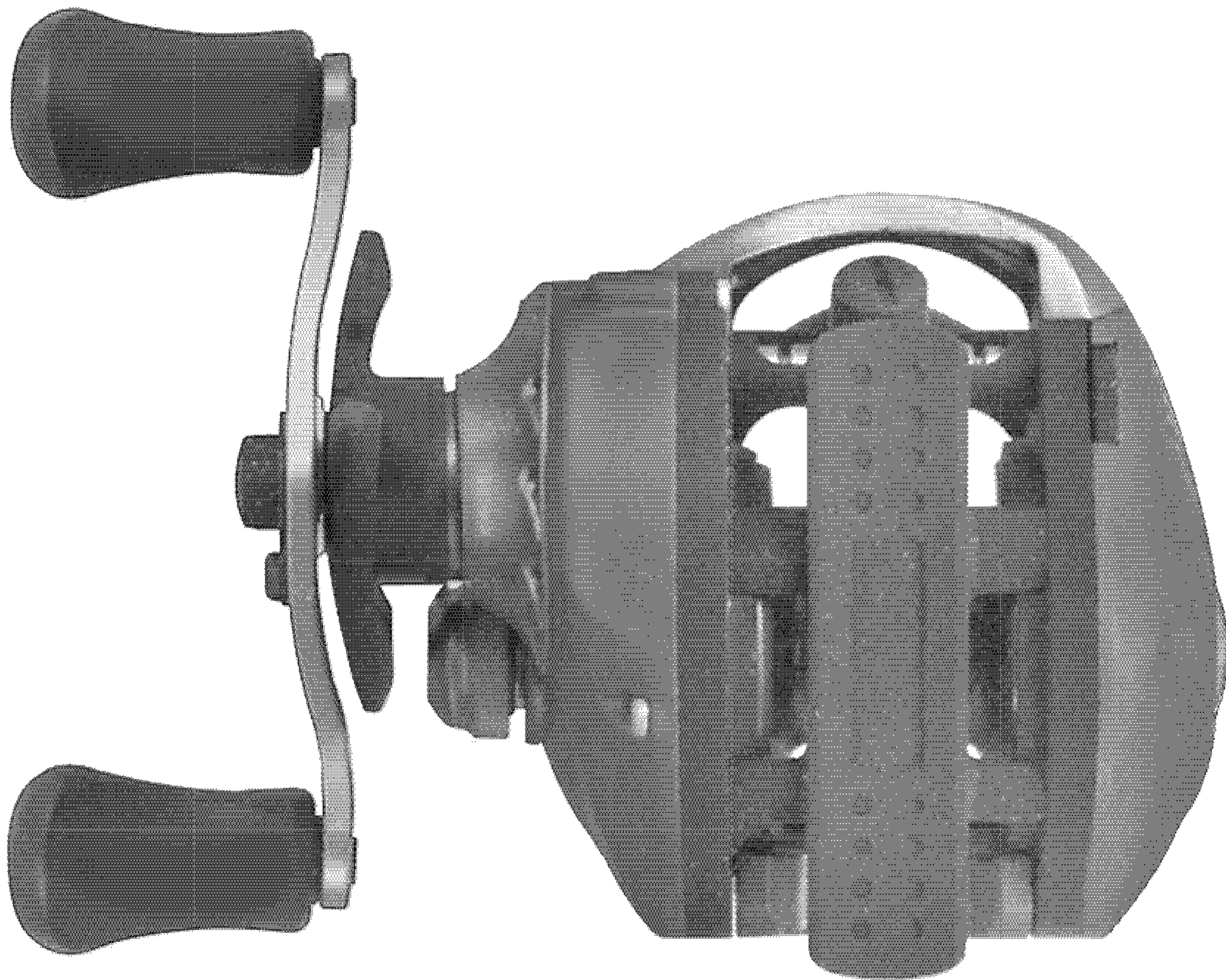


Figure 4

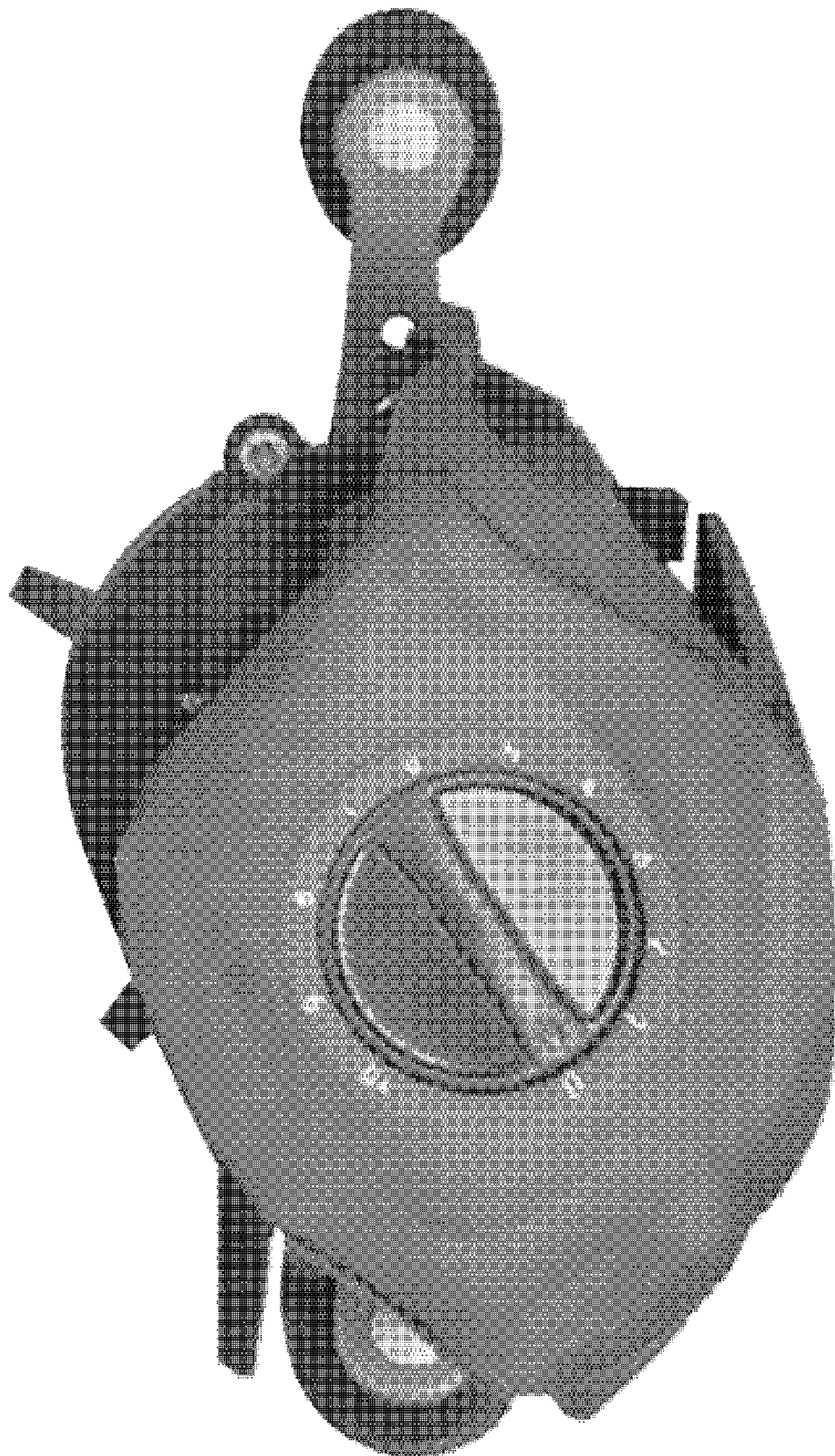


Figure 5

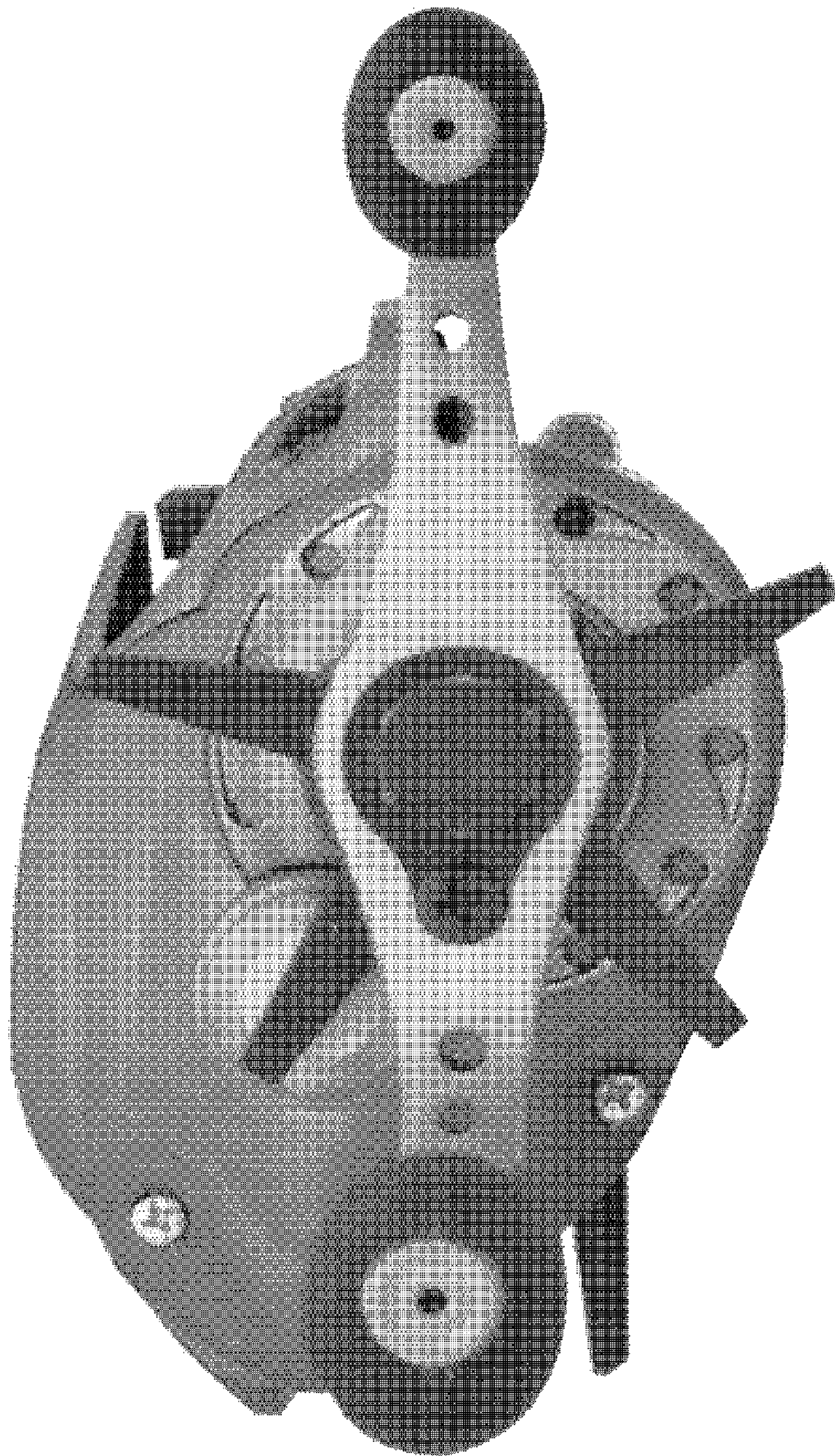


Figure 6

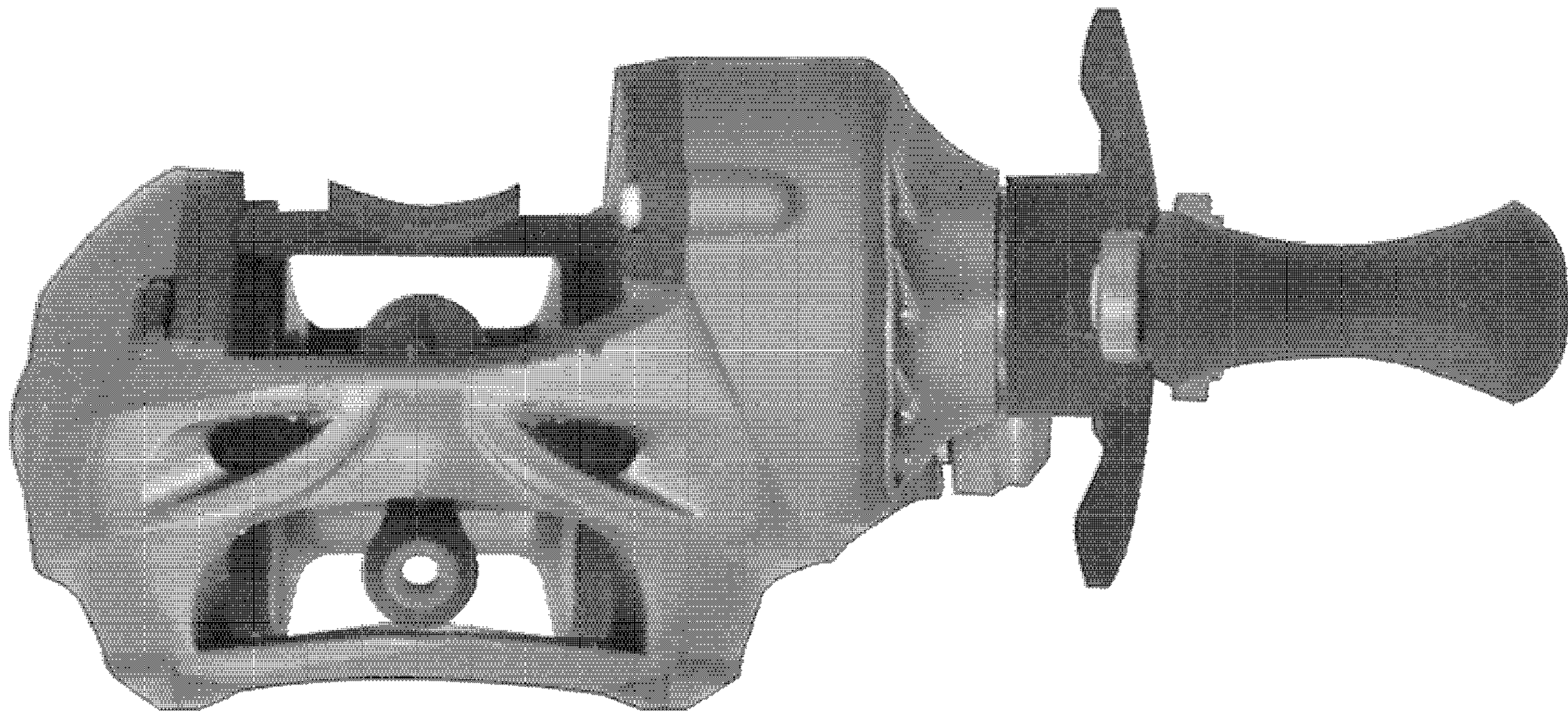


Figure 7

