



US00D583010S

(12) **United States Design Patent**
Gray

(10) **Patent No.:** **US D583,010 S**

(45) **Date of Patent:** **** Dec. 16, 2008**

(54) **BAIT CAST FISHING REEL**

(75) Inventor: **Brandon P. Gray**, Macon, MO (US)

(73) Assignee: **Ardent Outdoors, Inc.**, St. Louis, MO (US)

(**) Term: **14 Years**

(21) Appl. No.: **29/301,571**

(22) Filed: **Mar. 7, 2008**

| | | | |
|-----------------|---------|----------------------|---------|
| D425,169 S * | 5/2000 | Iwabuchi | D22/140 |
| D500,547 S * | 1/2005 | Gray | D22/140 |
| D572,336 S * | 7/2008 | Asano et al. | D22/140 |
| D578,178 S * | 10/2008 | Sekimoto et al. | D22/140 |
| 2003/0146323 A1 | 8/2003 | Jeane | |

* cited by examiner

Primary Examiner—Catherine R Oliver

(74) *Attorney, Agent, or Firm*—Polster, Lieder, Woodruff & Luchessi, L.C.

(57) **CLAIM**

The ornamental design for a baitcast fishing reel, as shown and described.

Related U.S. Application Data

(62) Division of application No. 12/012,284, filed on Feb. 1, 2008.

(51) **LOC (8) Cl.** **22-05**

(52) **U.S. Cl.** **D22/140**

(58) **Field of Classification Search** D22/140–141, D22/137–139; 242/310, 223, 314, 370; 43/19–21
See application file for complete search history.

(56) **References Cited**

U.S. PATENT DOCUMENTS

6,032,894 A * 3/2000 Chapman et al. 242/310

DESCRIPTION

FIG. 1 is a top view of a bait cast fishing reel showing our new design;

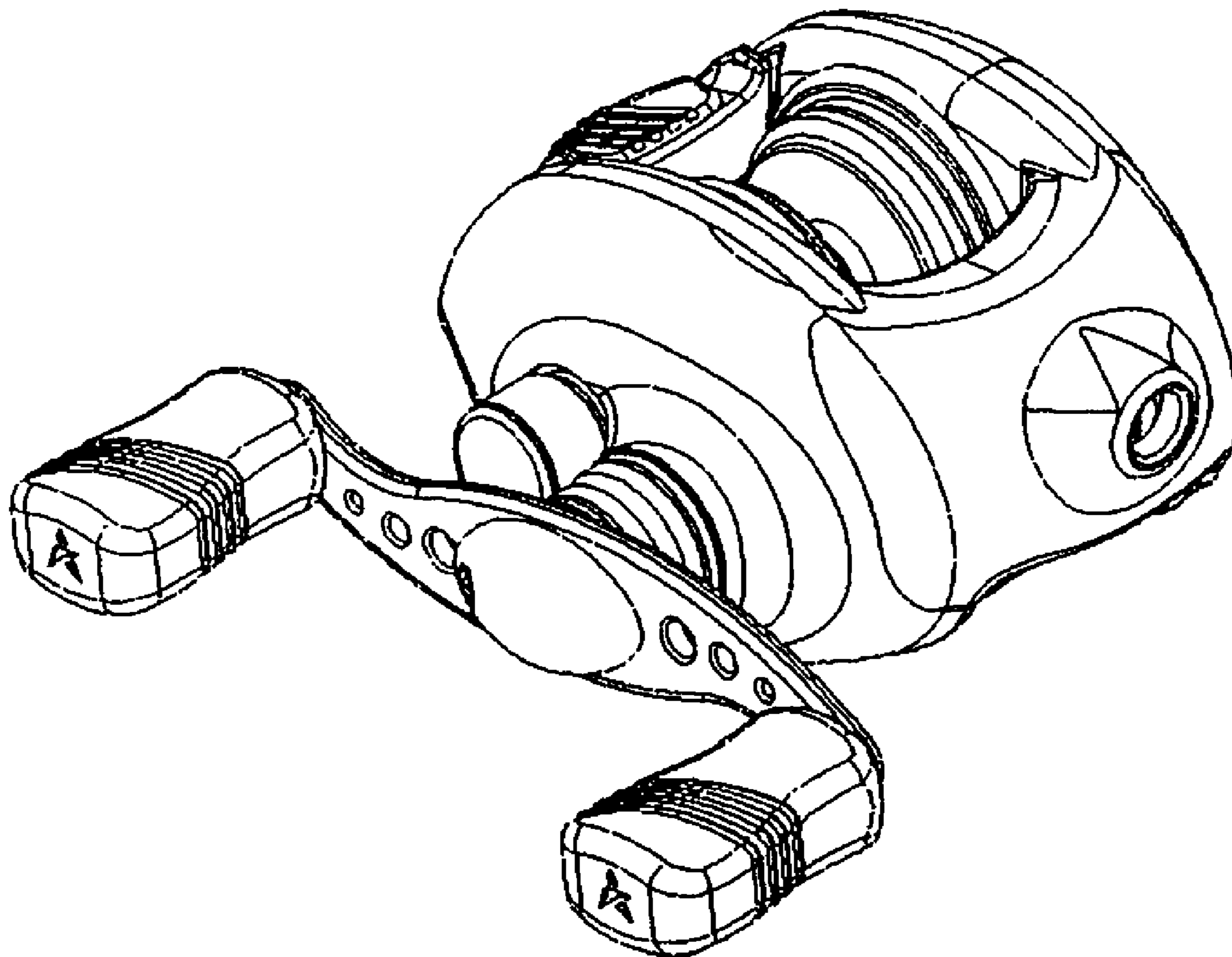
FIG. 2 is a perspective view thereof;

FIG. 3 is a front view thereof;

FIG. 4 is a side view thereof; and,

FIG. 5 is a rear view thereof.

1 Claim, 1 Drawing Sheet



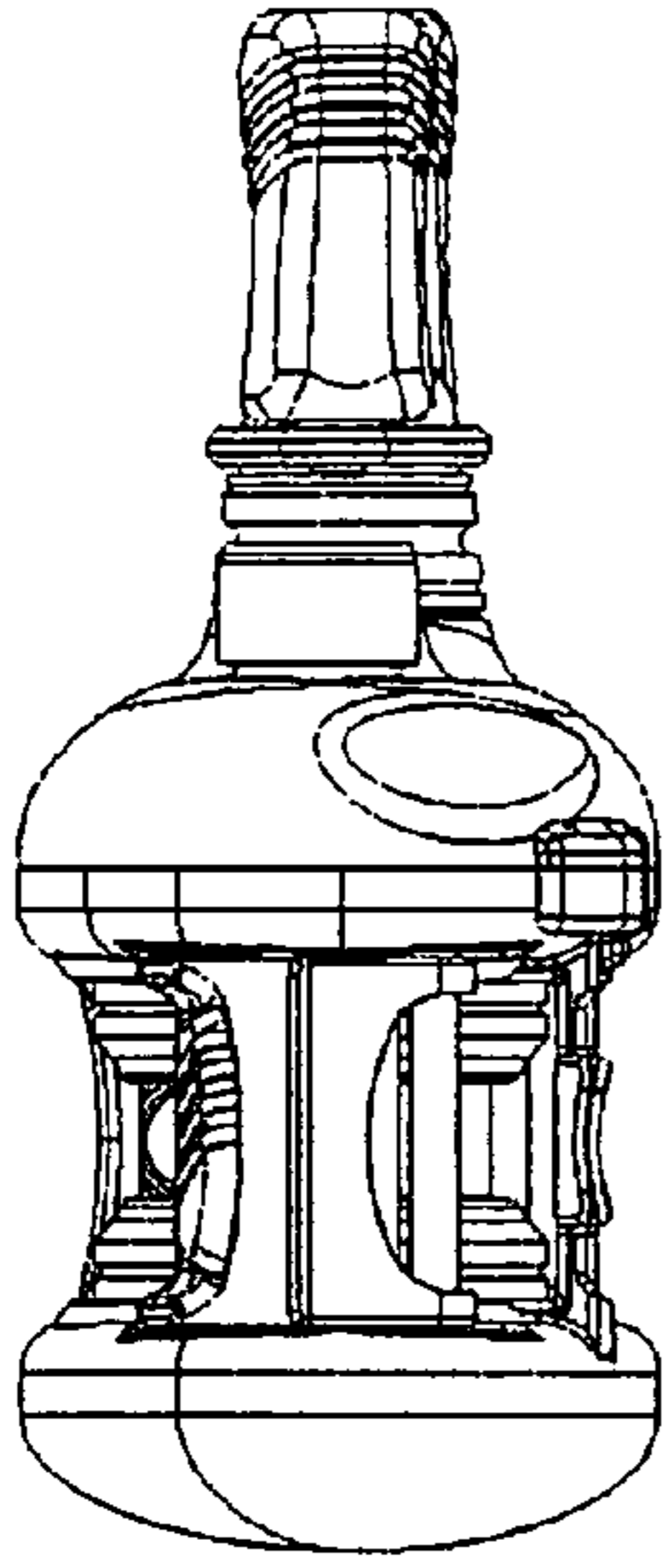


FIG. 5

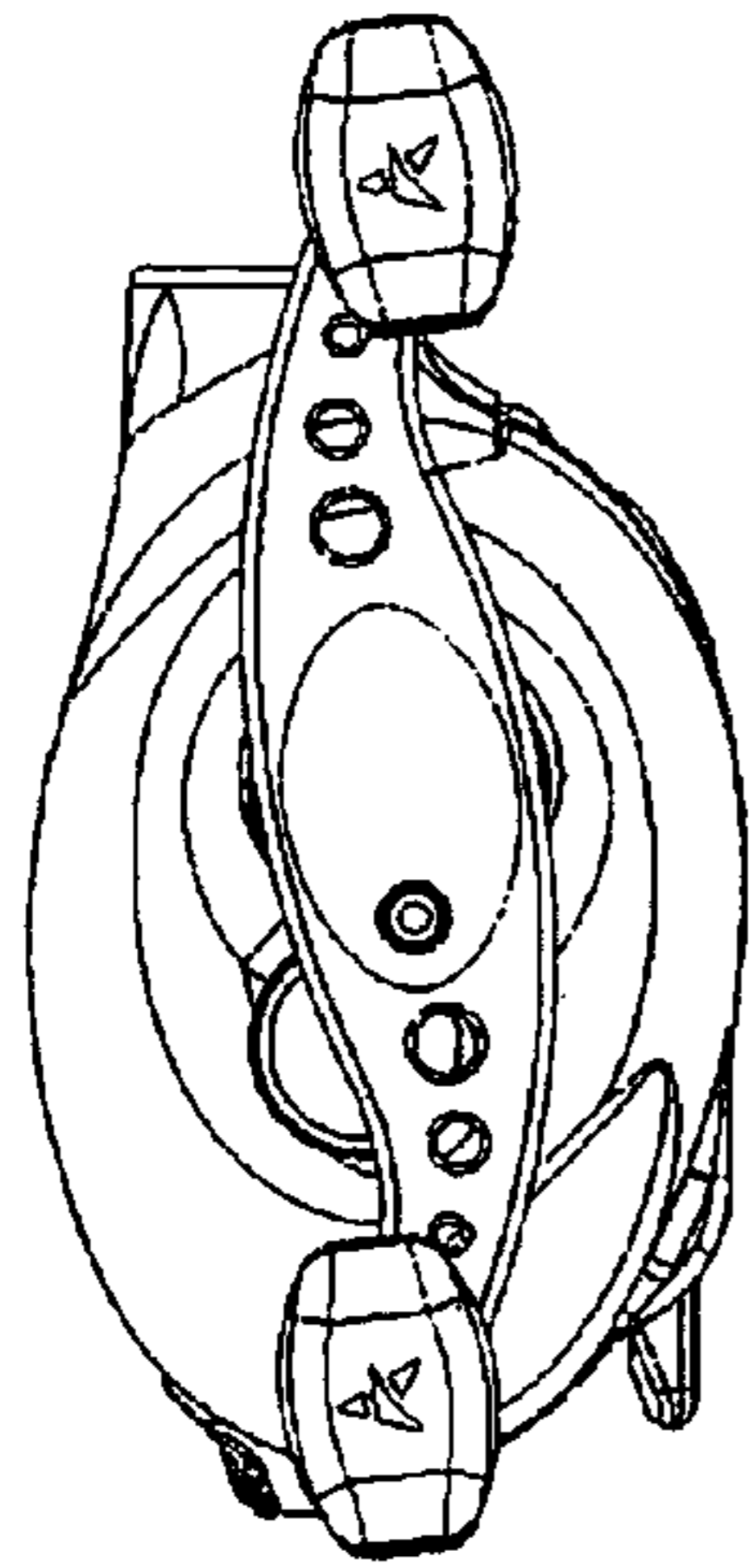


FIG. 4

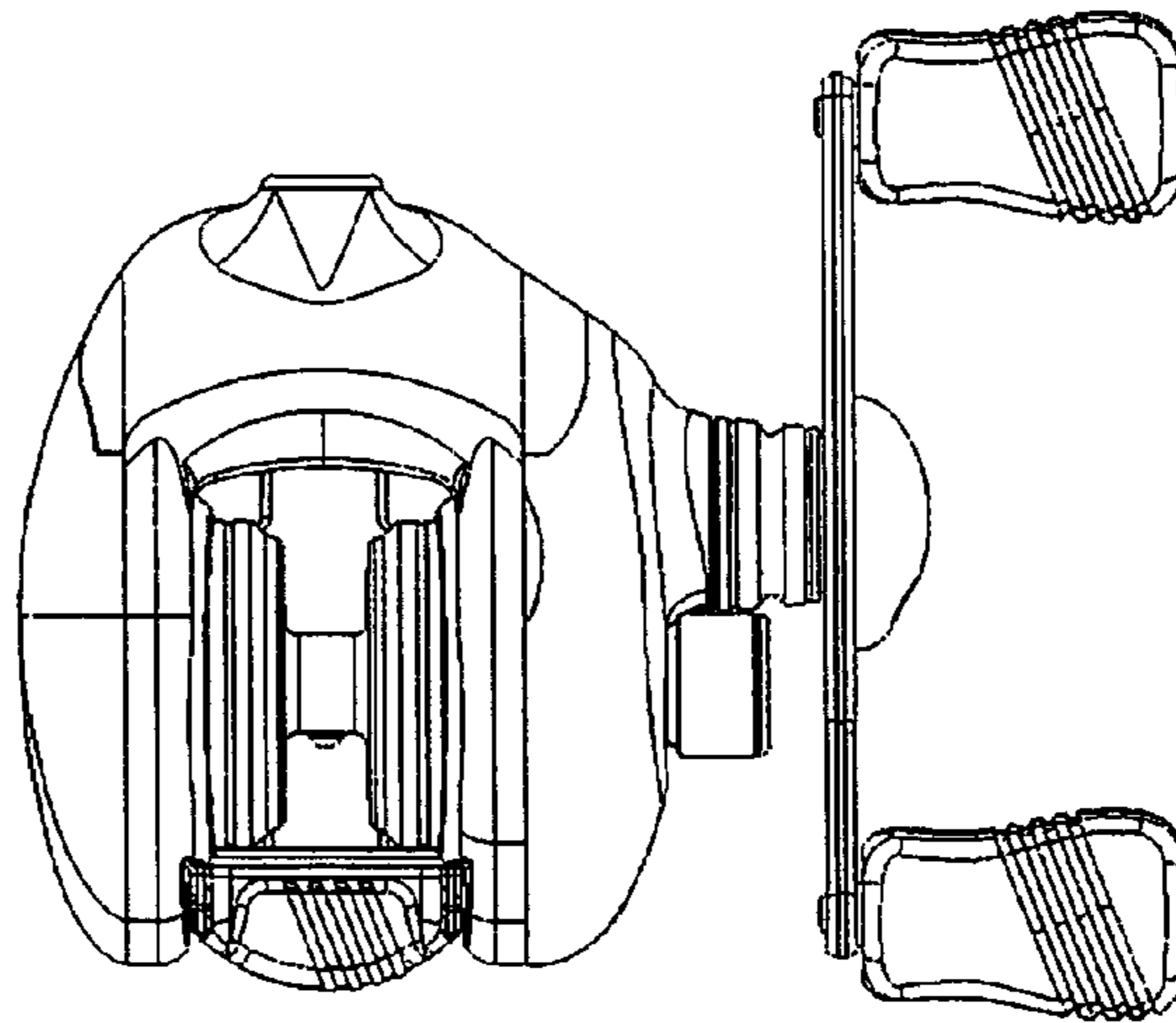


FIG. 1

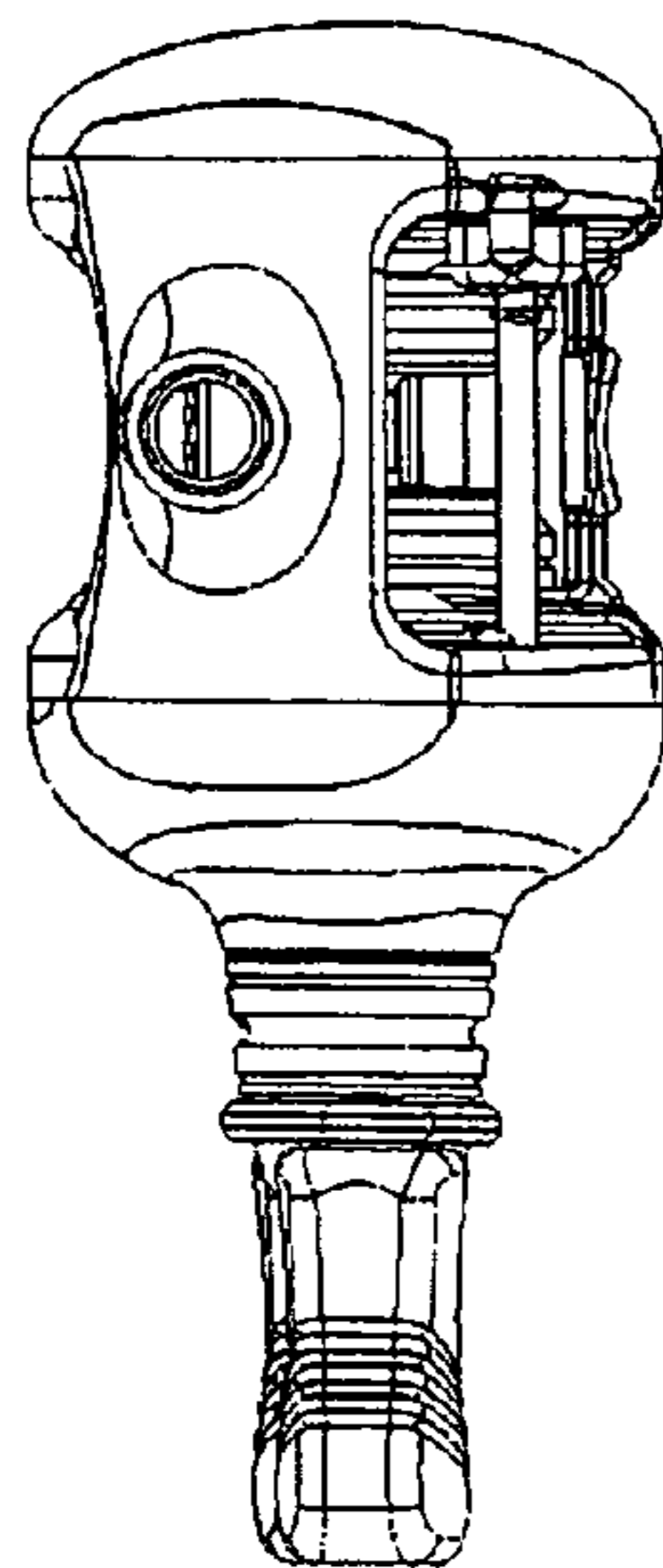


FIG. 3

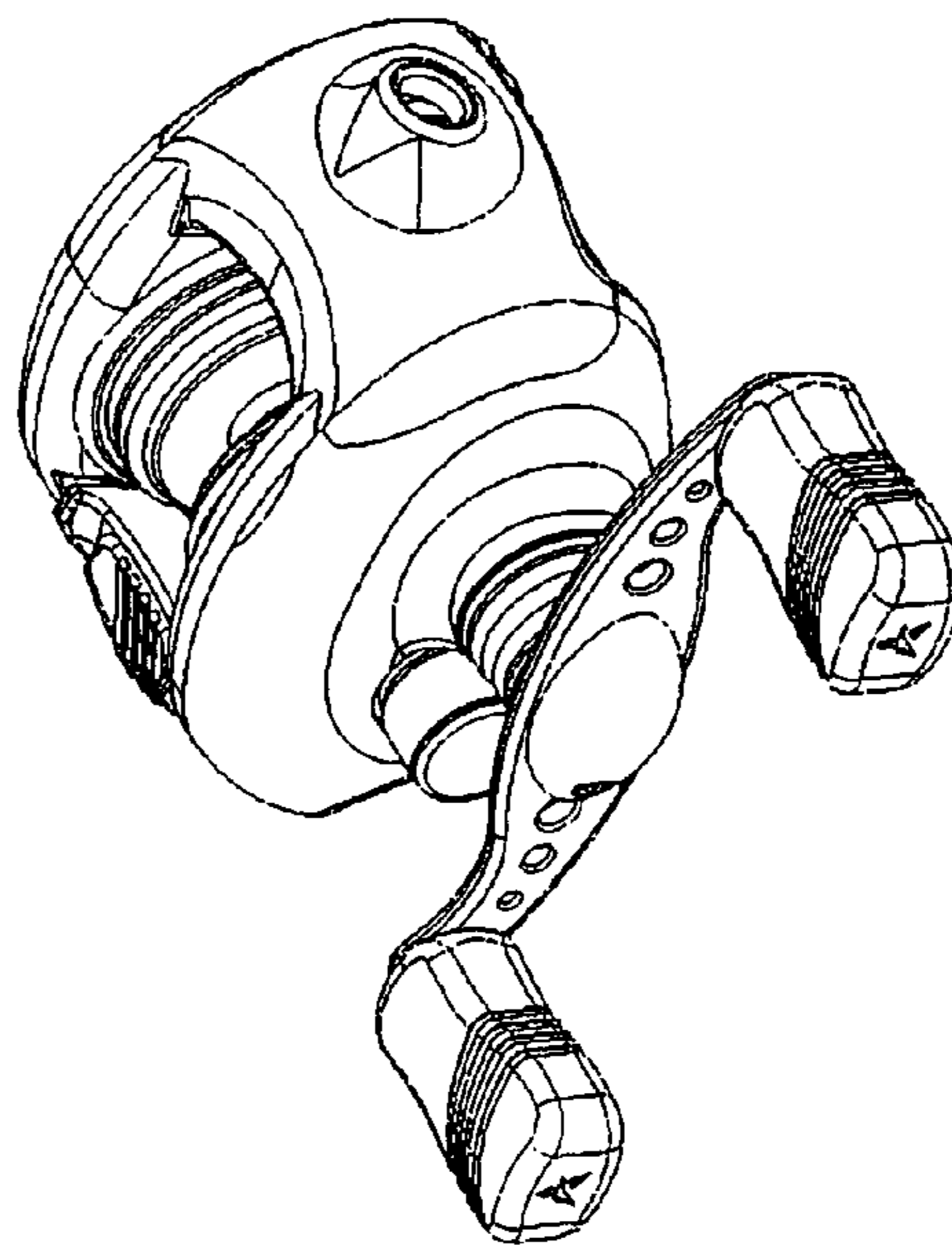


FIG. 2