

US00D583005S

(12) **United States Design Patent**
Grymonprez et al.

(10) **Patent No.:** **US D583,005 S**
(45) **Date of Patent:** **** Dec. 16, 2008**

(54) **FLOTATION DEVICE**

(75) Inventors: **Wim Grymonprez**, Roeslare (BE);
Joost Vanhecke, Ardooie (BE); **Kees R. Kooijmans**, Zoetermeer (NL); **Karl E. Sewalt**, Schiedam (NL)

(73) Assignee: **Deceuninck N.V.**, Hooglede-Gits (BE)

(**) Term: **14 Years**

(21) Appl. No.: **29/274,316**

(22) Filed: **Apr. 13, 2007**

(30) **Foreign Application Priority Data**

Nov. 2, 2006 (EM) 000615539-0001

(51) **LOC (8) Cl.** **21-06**

(52) **U.S. Cl.** **D21/803**

(58) **Field of Classification Search** D21/769-770,
D21/801, 803, 809; D6/392, 596, 601, 604;
D12/5, 6, 316; 472/128-129; 114/253, 345,
114/346; 441/35, 40-42, 66, 129-132
See application file for complete search history.

(56) **References Cited**

U.S. PATENT DOCUMENTS

1,829,137 A * 10/1931 Harris 441/129
2,816,299 A * 12/1957 Holladay 441/66
4,824,411 A * 4/1989 McClanahan 441/129
D309,937 S * 8/1990 Baxter D22/134
5,273,473 A * 12/1993 Allen 441/129
D349,551 S * 8/1994 Wolfe D21/803

D353,967 S * 1/1995 Moore D6/604
D394,891 S * 6/1998 Peterson D21/809
6,901,619 B1 * 6/2005 Hsia 5/710

FOREIGN PATENT DOCUMENTS

DE 3044949 11/1980
EP 0 682 165 11/1995
FR 2 737 241 1/1997
FR 2 747 717 10/1997

* cited by examiner

Primary Examiner—Janice E Seeger

Assistant Examiner—Zenia I Bennett

(74) *Attorney, Agent, or Firm*—Bacon & Thomas, PLLC

(57) **CLAIM**

The ornamental design for a flotation device, as shown and described.

DESCRIPTION

FIG. 1 is a perspective view of a flotation device, showing our new design;

FIG. 2 is a top plan view of the flotation device of FIG. 1;

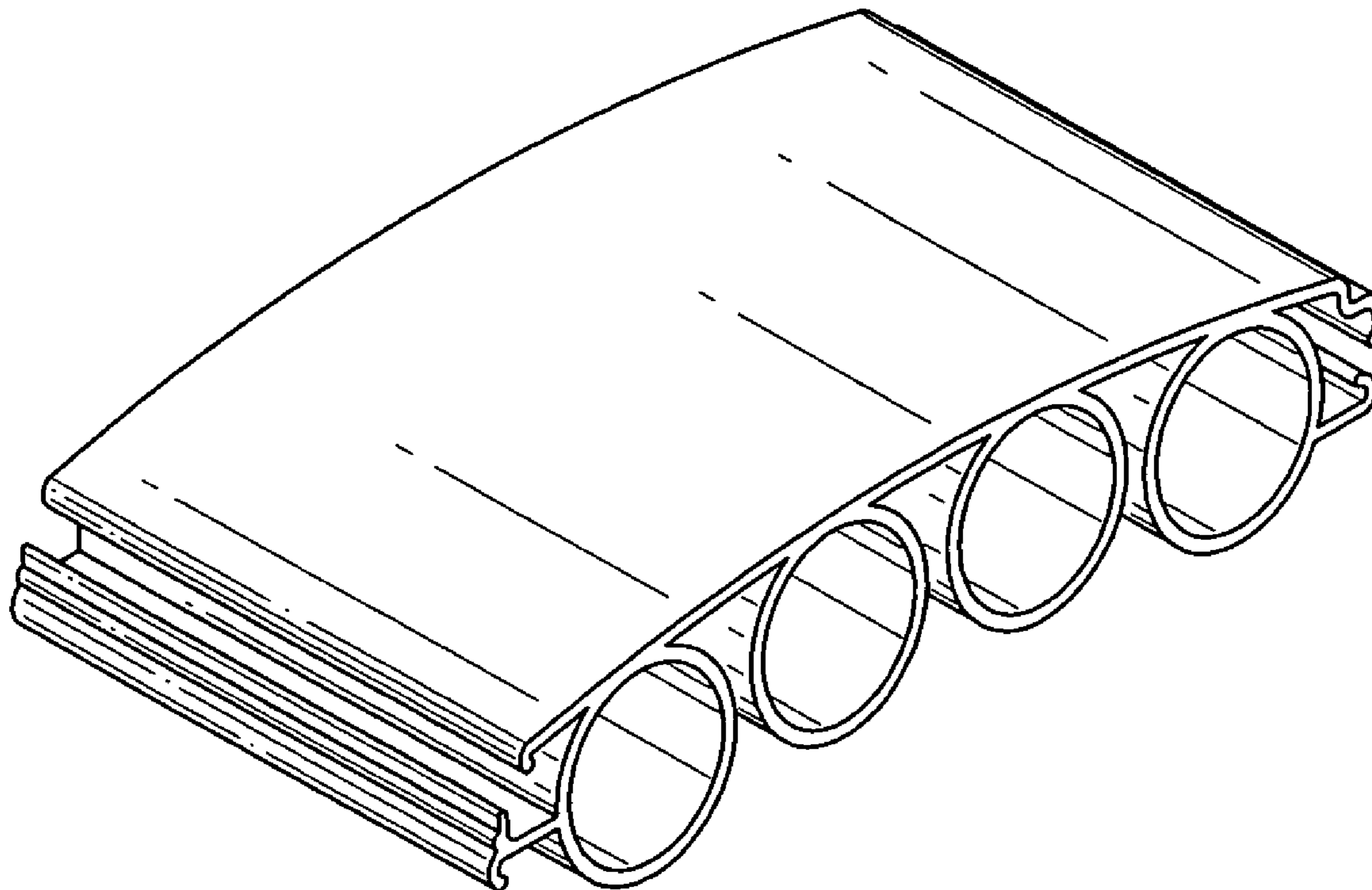
FIG. 3 is a bottom plan view of the flotation device of FIG. 1;

FIG. 4 is a front elevational view of the flotation device of FIG. 1;

FIG. 5 is a first side elevational view of the flotation device of FIG. 1; and,

FIG. 6 is a second side elevational view of the flotation device of FIG. 1.

1 Claim, 2 Drawing Sheets



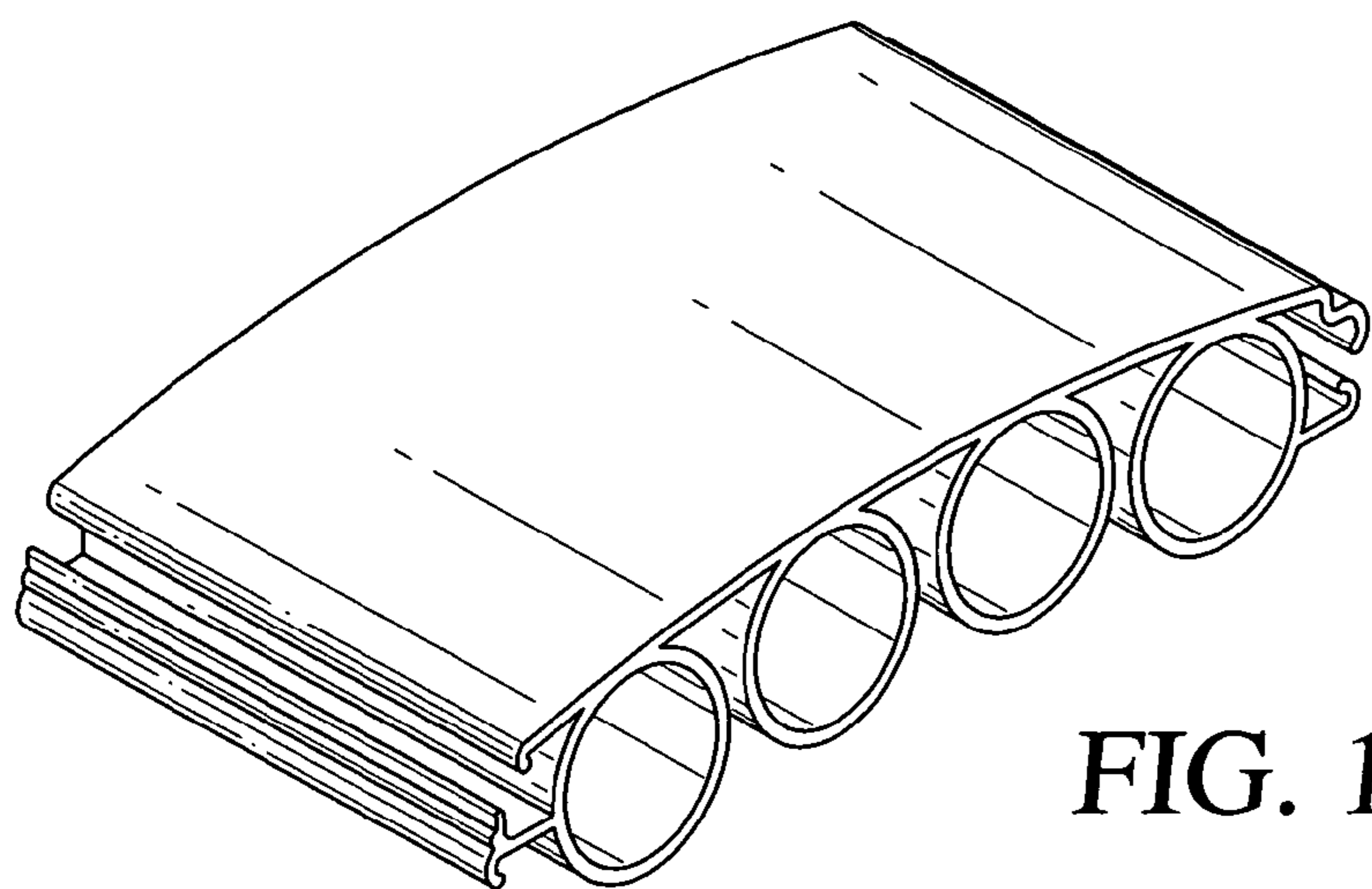


FIG. 1

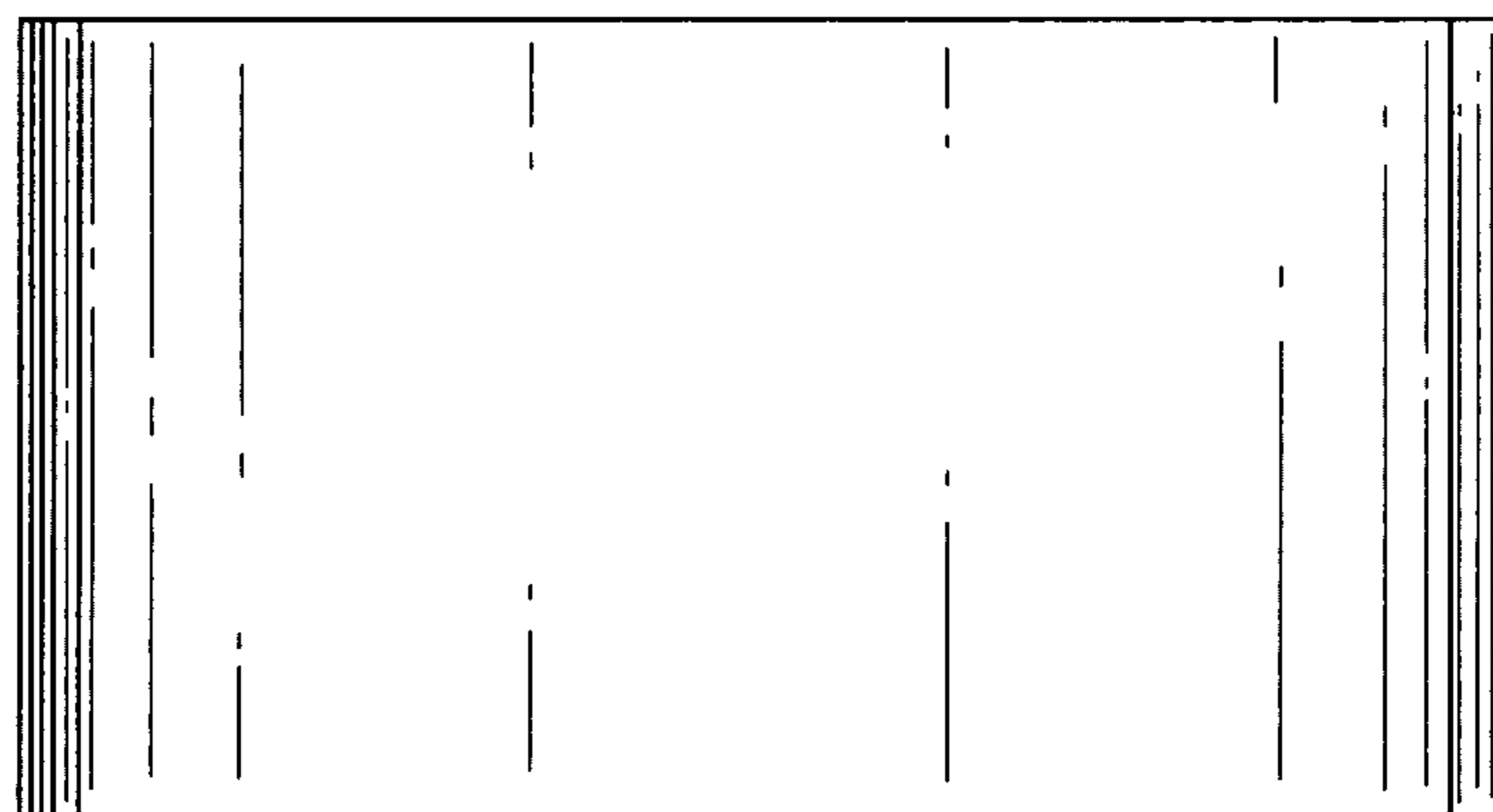


FIG. 2

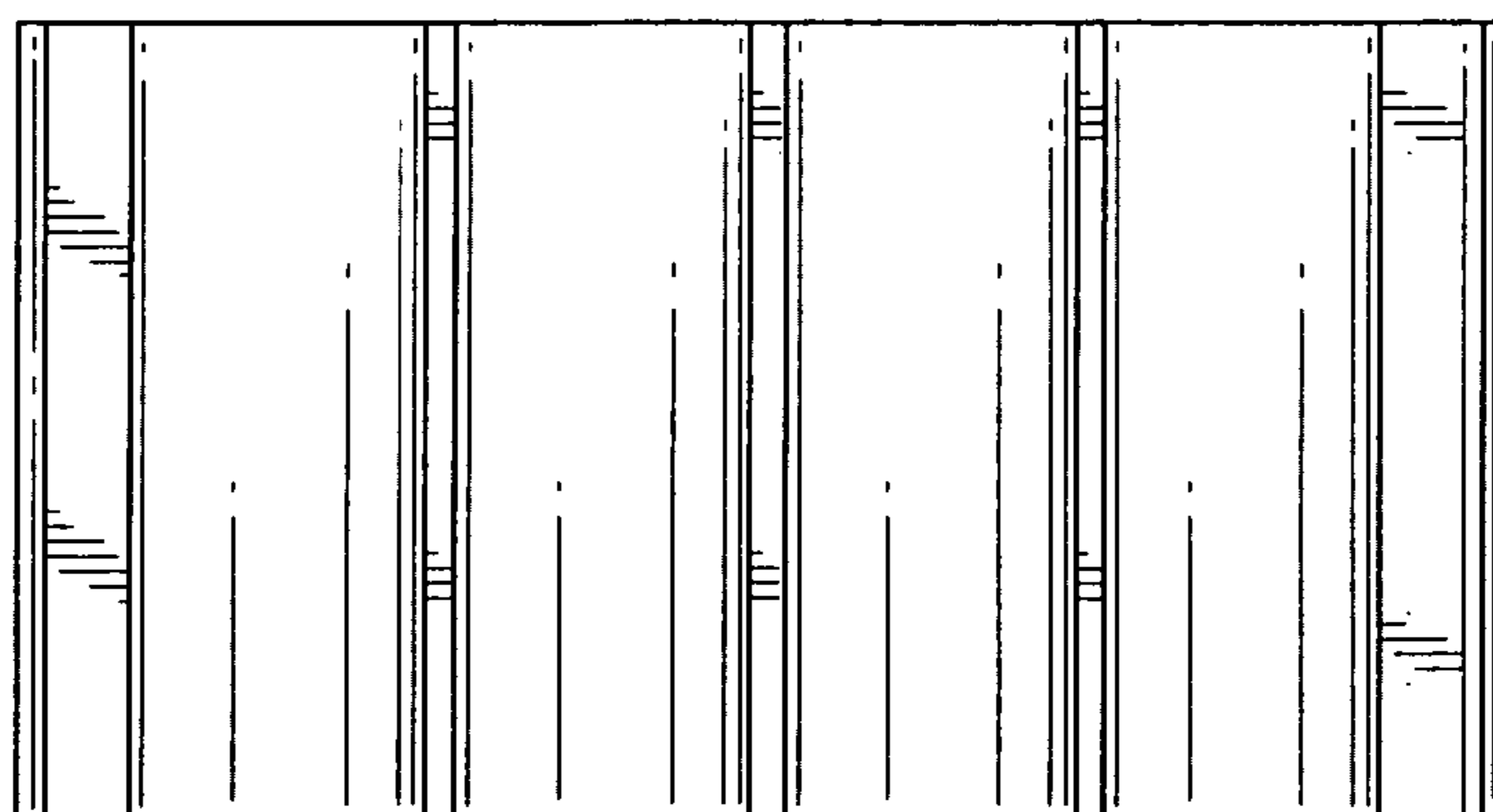


FIG. 3

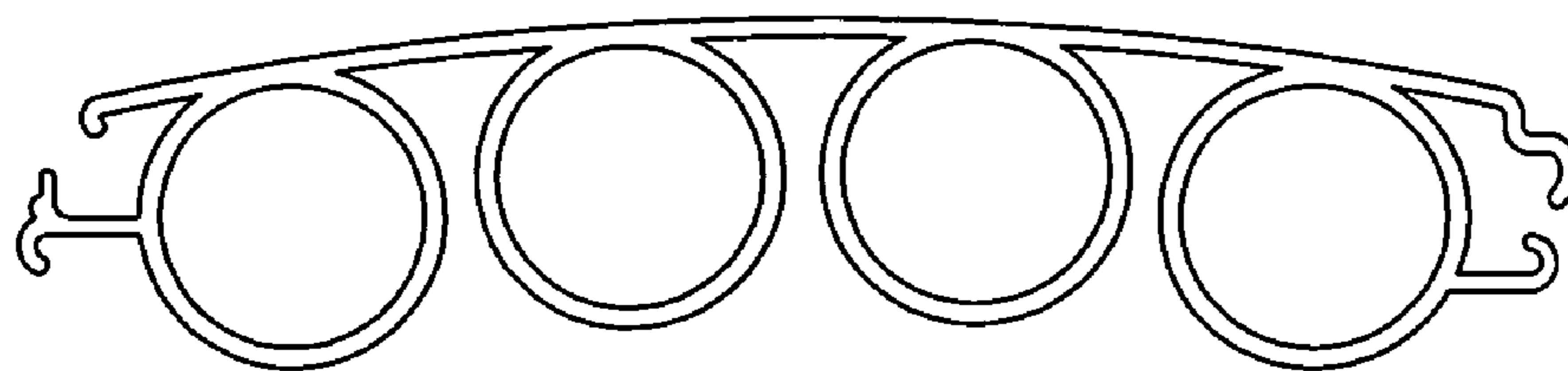


FIG. 4

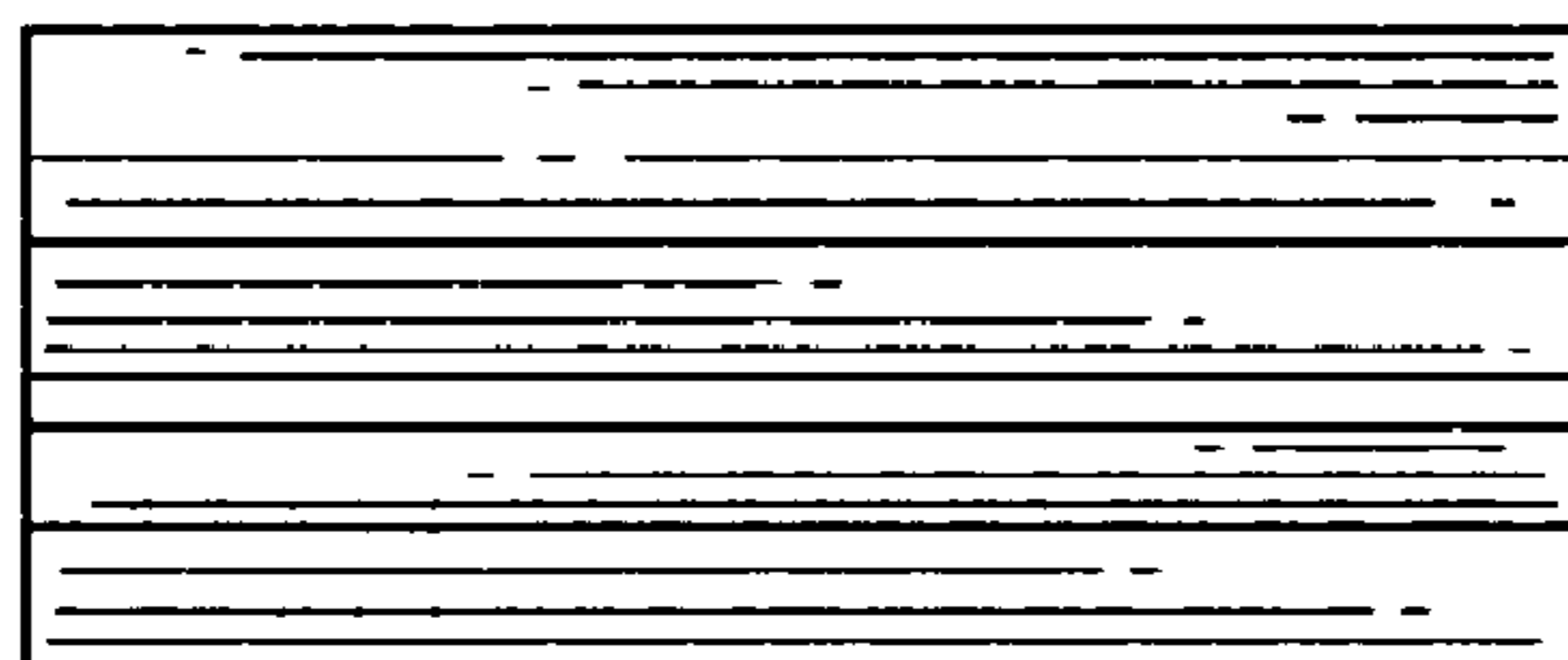


FIG. 5

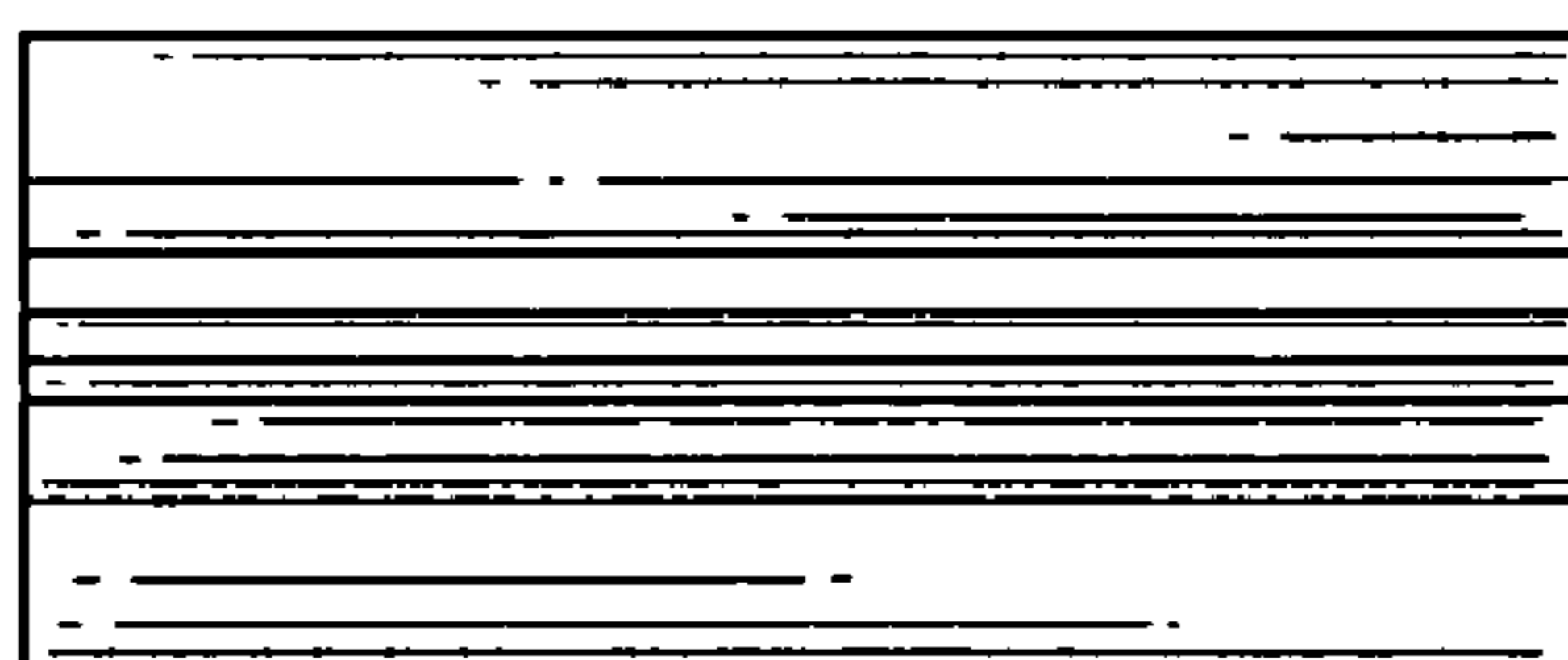


FIG. 6