



US00D583004S

(12) **United States Design Patent**
Horne

(10) **Patent No.:** **US D583,004 S**
(45) **Date of Patent:** **** Dec. 16, 2008**

(54) **BOWLING ASSISTANCE DEVICE**
(76) Inventor: **Steven M. Horne**, 4509 Maple Cir.,
Adamsville, AL (US) 35005
(**) Term: **14 Years**
(21) Appl. No.: **29/278,124**
(22) Filed: **Mar. 20, 2007**
(51) **LOC (8) Cl.** **21-02**
(52) **U.S. Cl.** **D21/785**
(58) **Field of Classification Search** D21/785,
D21/786; 473/55, 56, 106, 471, 470; 280/304.1,
280/288.4, 291; 180/907
See application file for complete search history.

5,727,809 A * 3/1998 Ordelman et al. 280/650
6,004,233 A * 12/1999 Raubuck et al. 473/505
6,474,671 B1 11/2002 San Miguel Gomez et al.

* cited by examiner

Primary Examiner—Prabhakar Deshmukh
(74) *Attorney, Agent, or Firm*—Kenneth M. Bush; Bush
Intellectual Property Law

(57) **CLAIM**

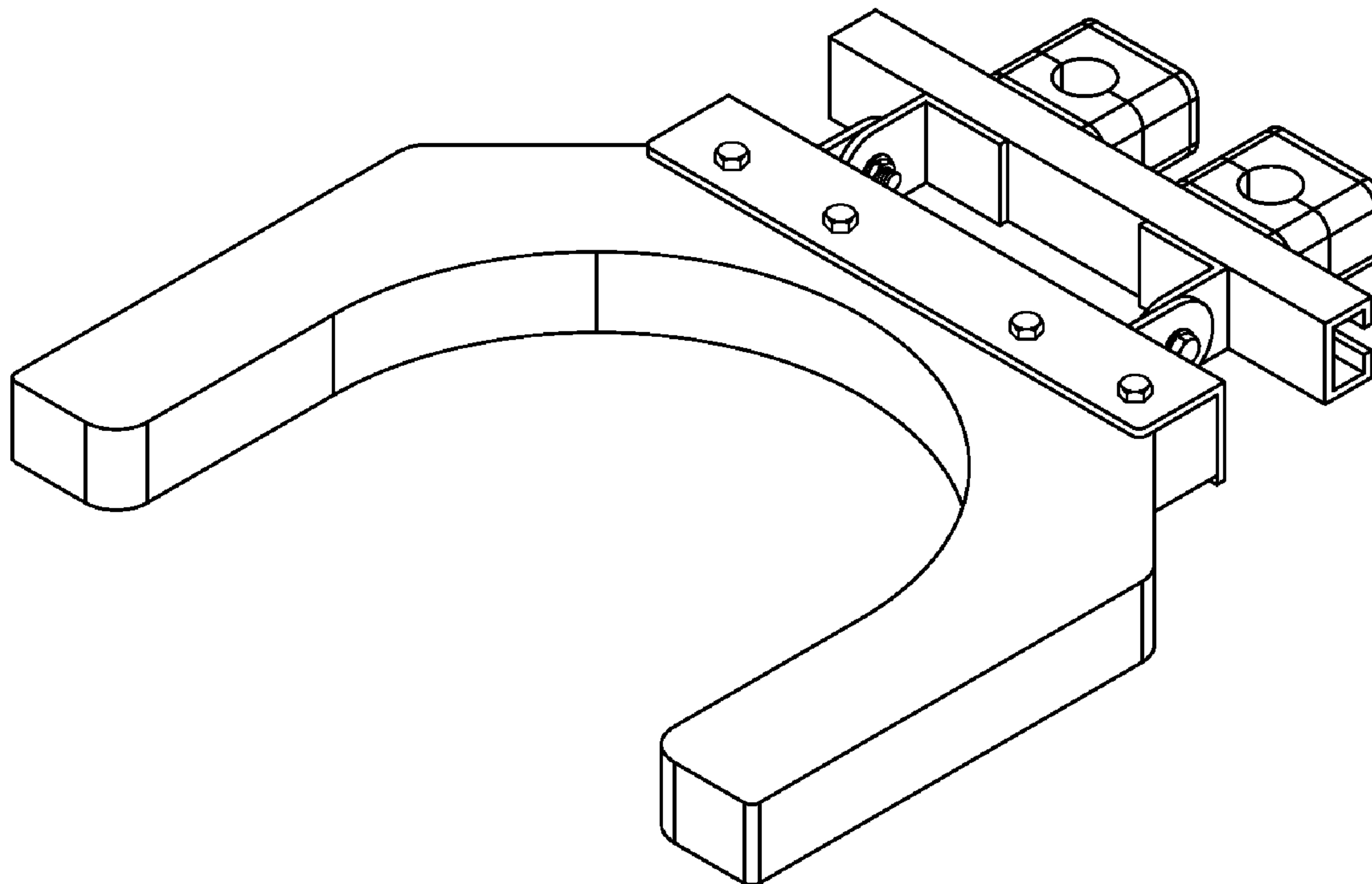
The ornamental designs for a bowling assistance device, as
shown and described.

DESCRIPTION

FIG. 1 is a top front perspective view of a bowling assistance
device showing my new design;
FIG. 2 is a bottom rear perspective view thereof;
FIG. 3 is a top plan view thereof;
FIG. 4 is a bottom plan view thereof;
FIG. 5 is a left side elevational view thereof;
FIG. 6 is a right side elevational view thereof;
FIG. 7 is a rear elevational view thereof; and,
FIG. 8 is a front elevational view thereof.

(56) **References Cited**
U.S. PATENT DOCUMENTS
3,578,322 A * 5/1971 Kerr 473/56
4,097,045 A * 6/1978 Bechtel 473/56
4,368,898 A * 1/1983 Lay 280/304.1
4,441,710 A 4/1984 Lay
4,470,598 A 9/1984 Steele et al.
5,246,240 A * 9/1993 Romich et al. 280/304.1
5,358,446 A * 10/1994 Bergman 473/56
5,651,558 A 7/1997 Boyce

1 Claim, 3 Drawing Sheets



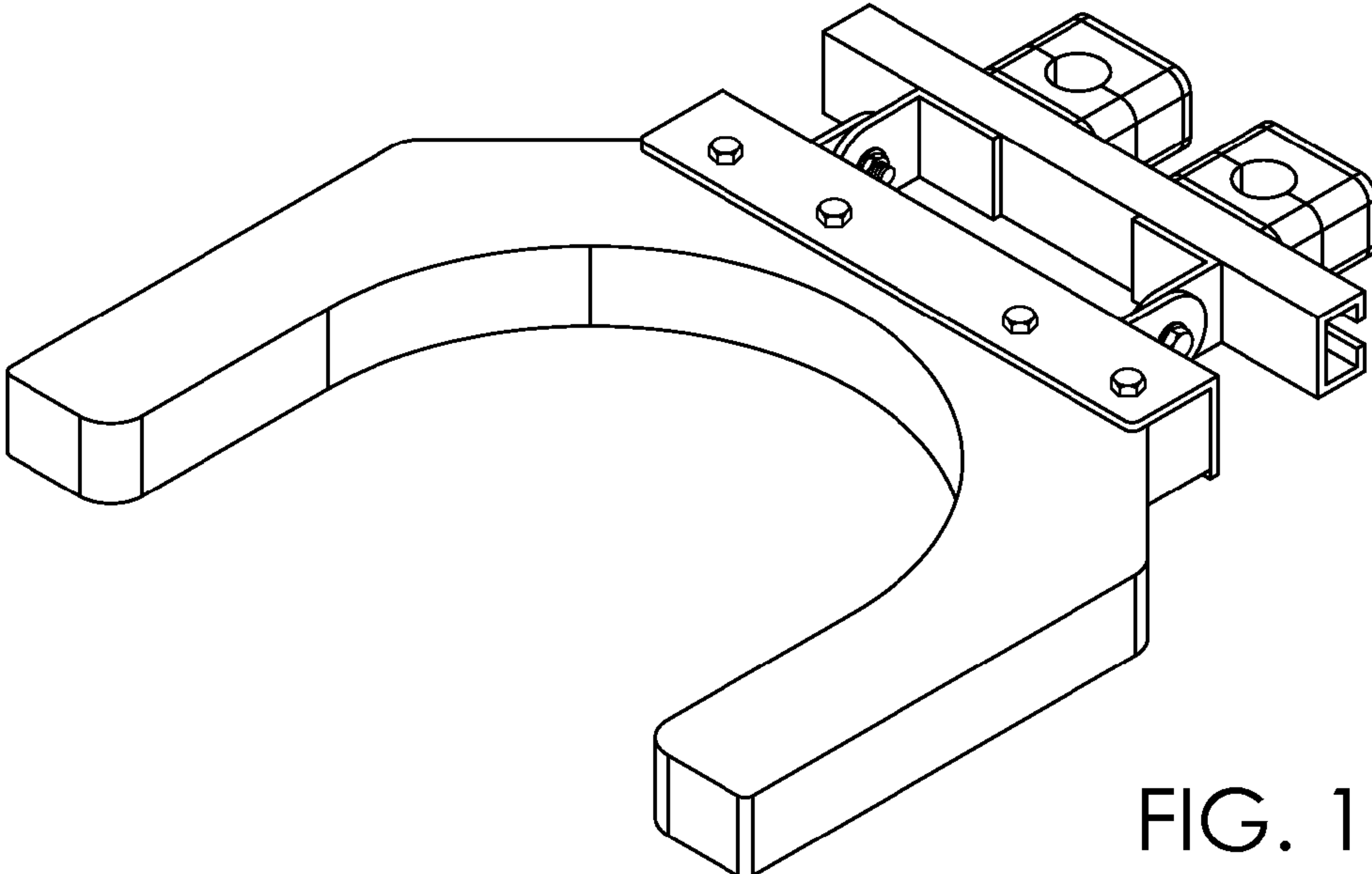


FIG. 1

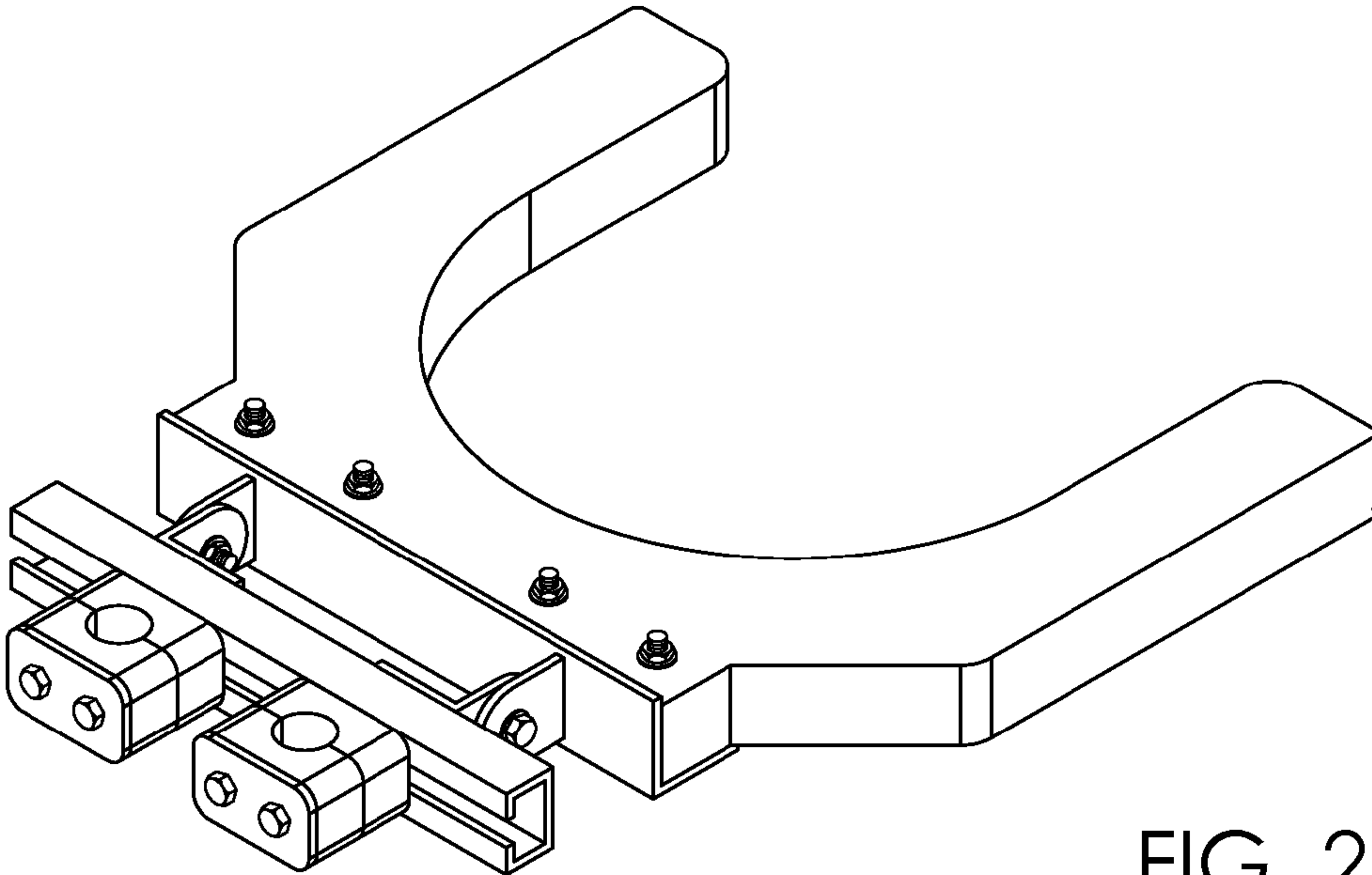


FIG. 2

FIG. 3

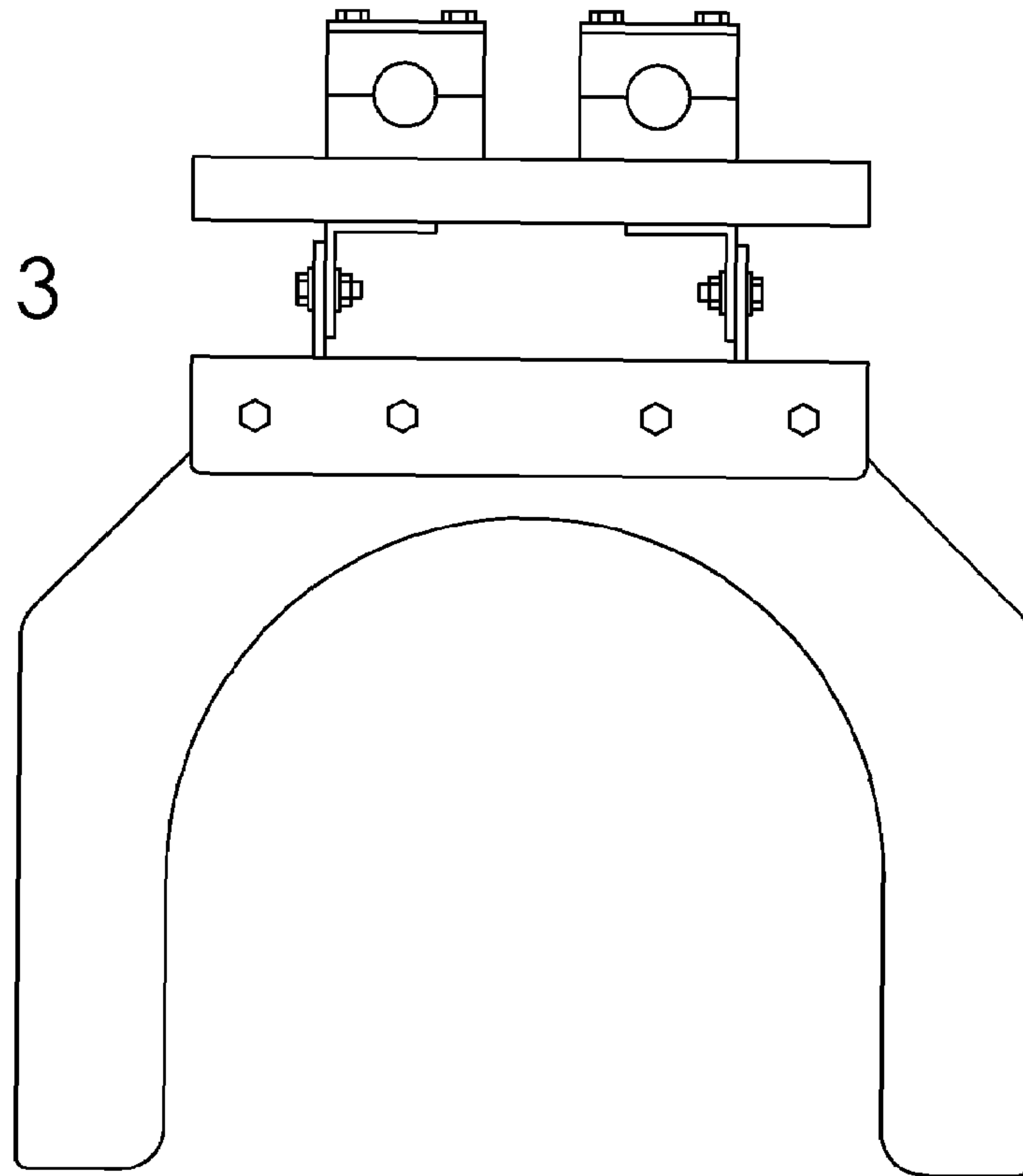
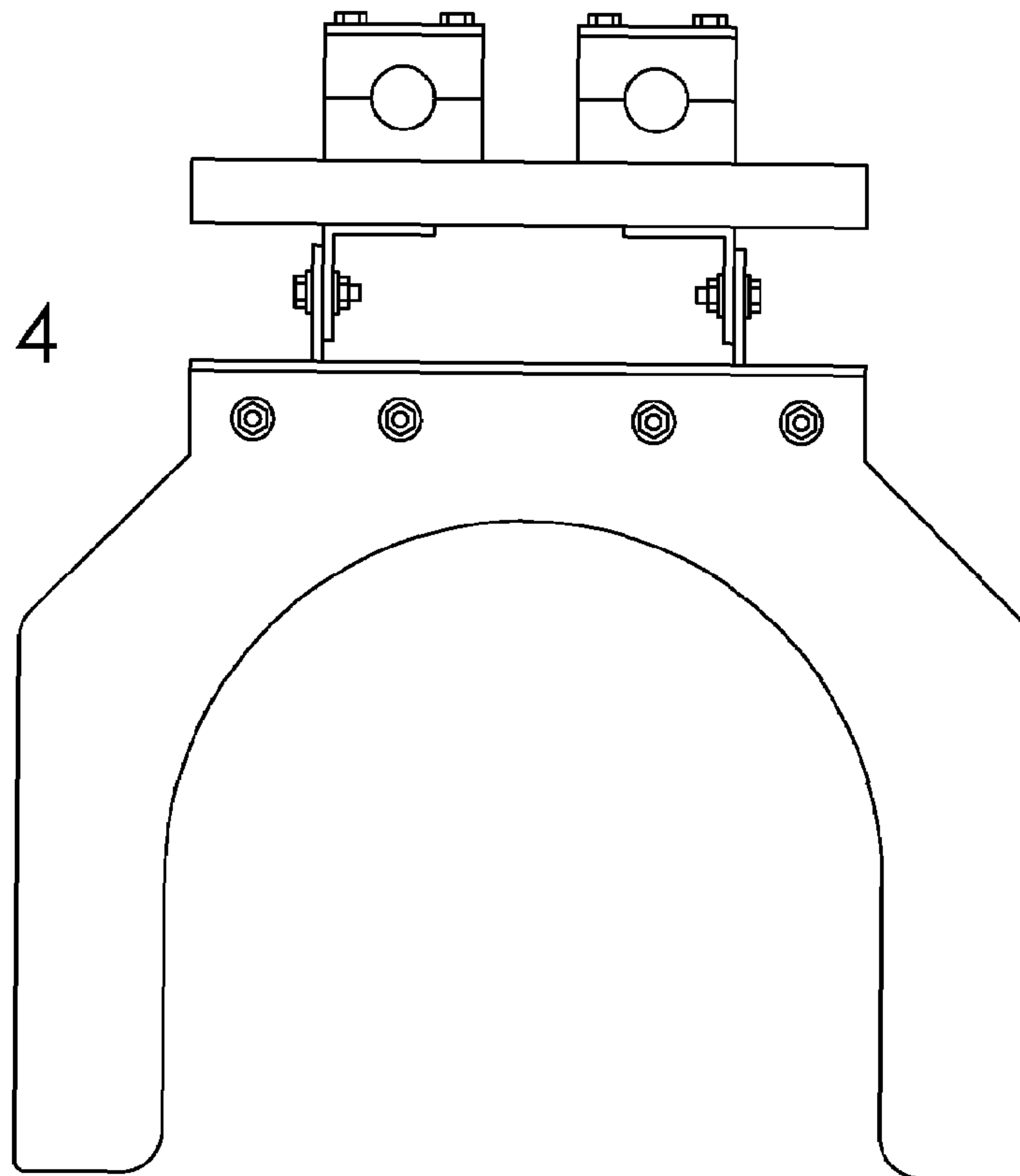


FIG. 4



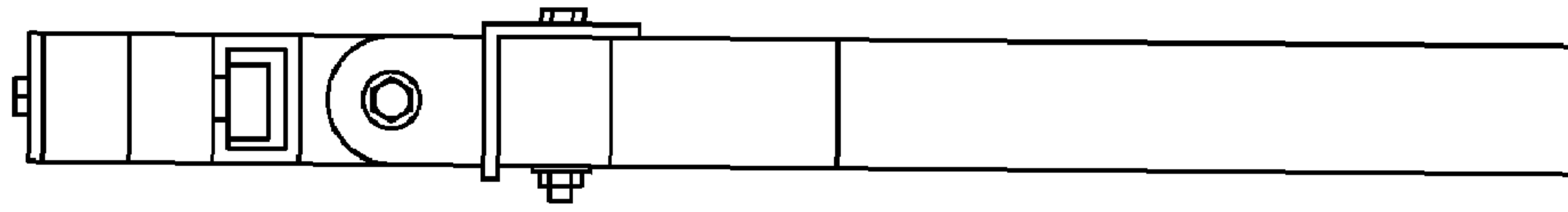


FIG. 5

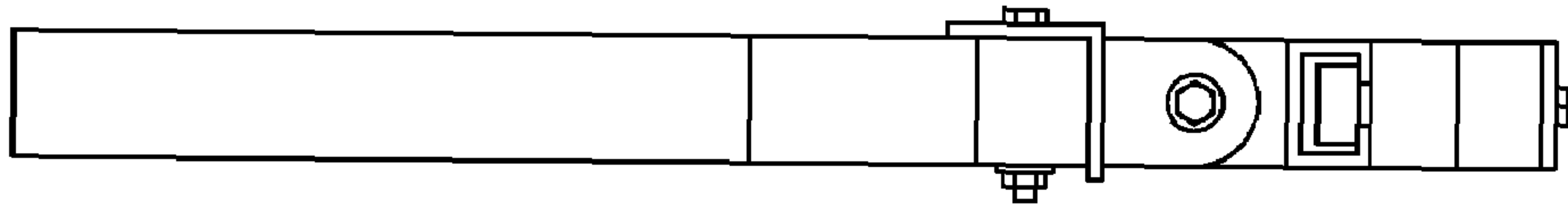


FIG. 6

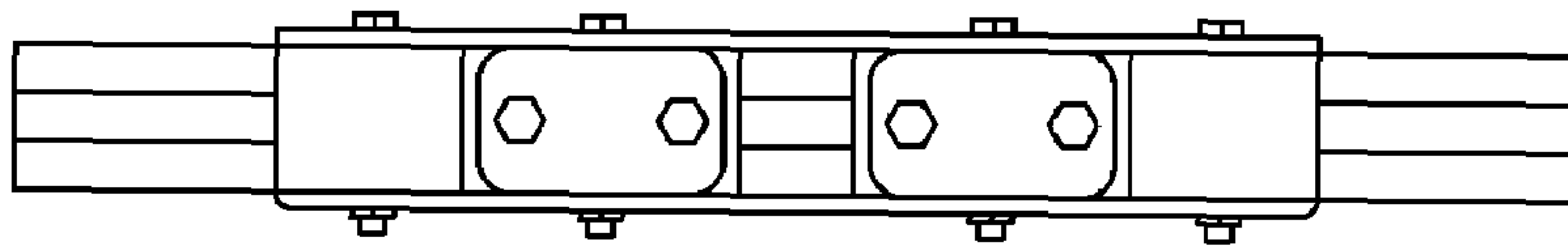


FIG. 7

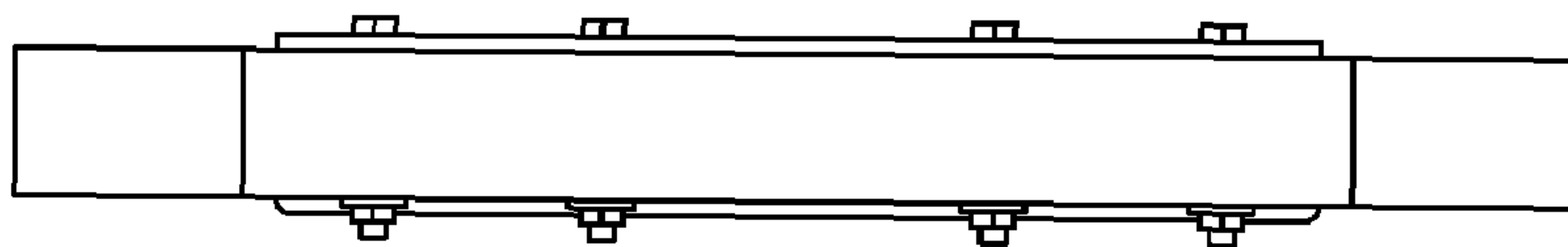


FIG. 8