



US00D583003S

(12) **United States Design Patent**
Solheim et al.

(10) **Patent No.:** **US D583,003 S**

(45) **Date of Patent:** **** Dec. 16, 2008**

(54) **GOLF CLUB HEAD**

(75) Inventors: **John A. Solheim**, Phoenix, AZ (US);
Richard R. Sanchez, New River, AZ
(US); **John C. Souza**, Phoenix, AZ (US)

(73) Assignee: **Karsten Manufacturing Corporation**,
Phoenix, AZ (US)

(**) Term: **14 Years**

(21) Appl. No.: **29/322,719**

(22) Filed: **Aug. 11, 2008**

(51) **LOC (8) Cl.** **21-02**

(52) **U.S. Cl.** **D21/759**

(58) **Field of Classification Search** D21/736-746,
D21/759; 473/324-331, 251-256, 340-341
See application file for complete search history.

(56) **References Cited**

U.S. PATENT DOCUMENTS

D316,129 S	4/1991	Bryson	
D486,540 S *	2/2004	Bettinardi	D21/738
D486,541 S *	2/2004	Bettinardi	D21/738
D488,200 S *	4/2004	Olsavsky et al.	D21/743
D502,236 S *	2/2005	Grace	D21/743
D513,776 S *	1/2006	Grace	D21/736
7,052,411 B2	5/2006	Solheim et al.	
7,077,758 B2	7/2006	Rohrer	
D527,777 S	9/2006	Solheim et al.	
D528,177 S *	9/2006	Grace	D21/743
D528,616 S *	9/2006	Grace	D21/743
D529,108 S	9/2006	Stites et al.	
D548,295 S *	8/2007	Jertson et al.	D21/736
7,255,650 B2	8/2007	Braynt et al.	
D552,197 S *	10/2007	Wells et al.	D21/743
2006/0094533 A1	5/2006	Warren et al.	
2006/0166755 A1	7/2006	Brown	
2007/0191135 A1	8/2007	Nilsson et al.	

OTHER PUBLICATIONS

Stina Sternberg and Ashley Mayo, "2008 Spring Equipment Preview," *Golf for Women*, May-Jun. 2008 at 114.

(Continued)

Primary Examiner—Mitchell I Siegel

(57) **CLAIM**

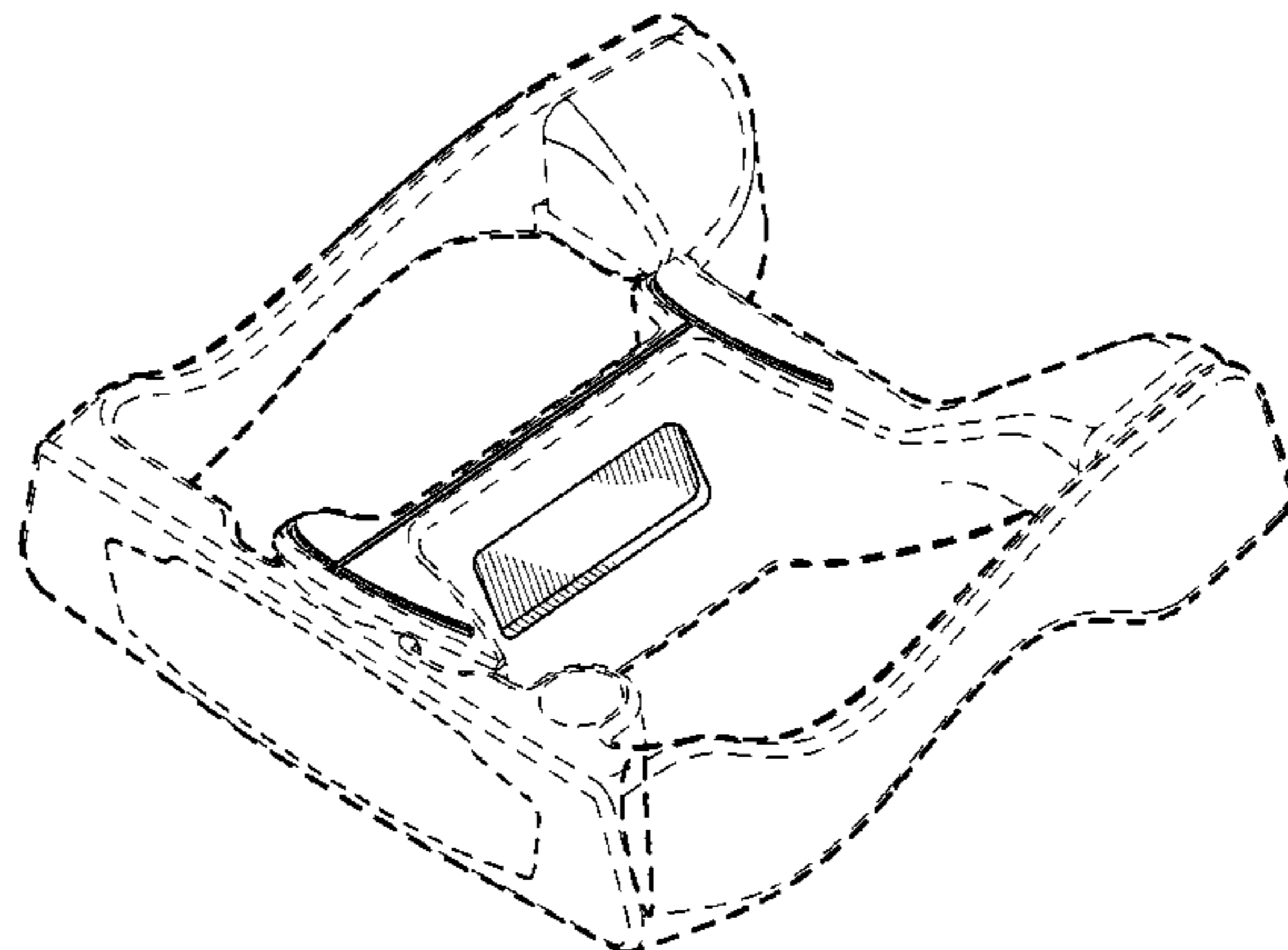
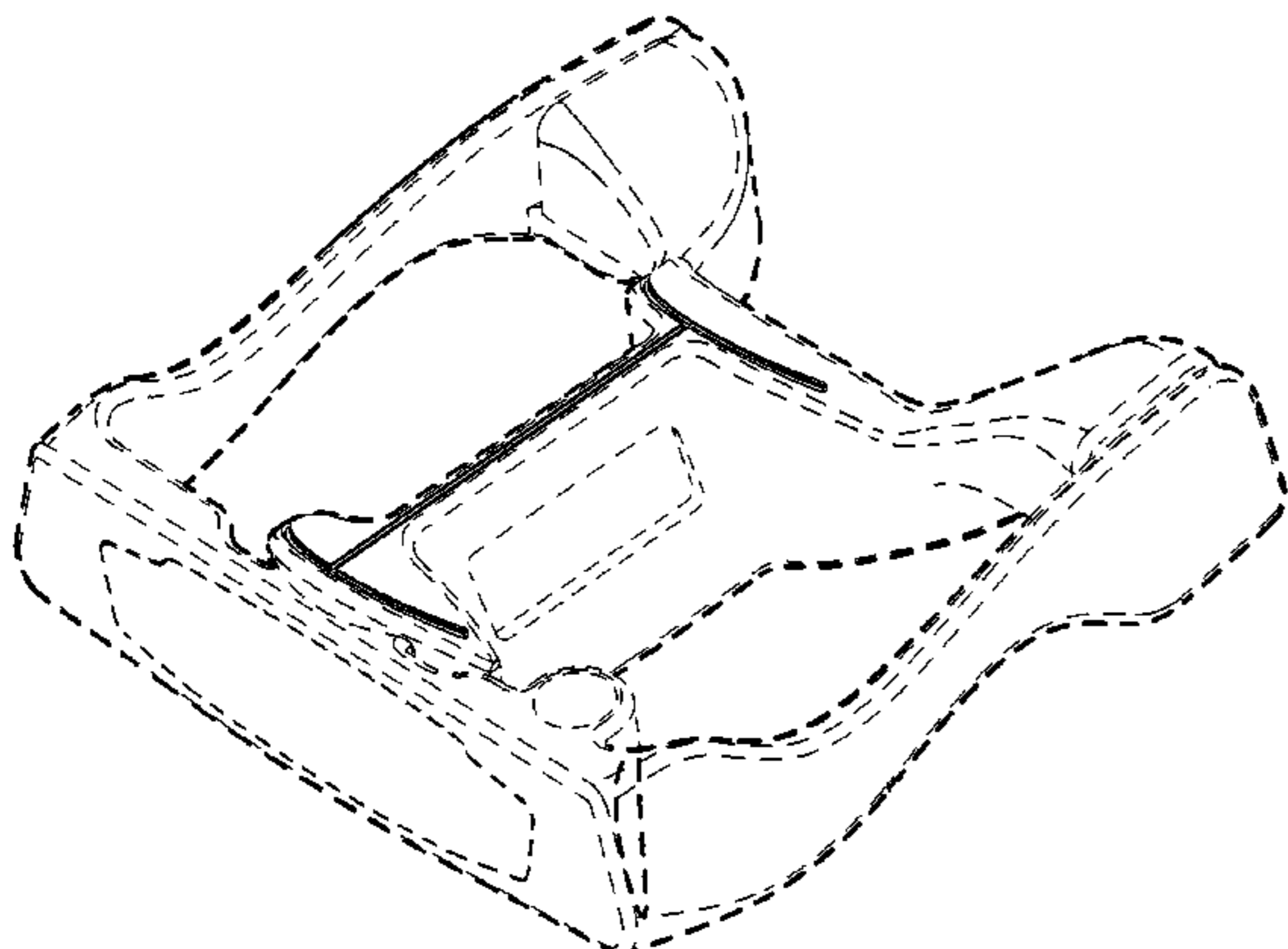
The ornamental design for a golf club head, as shown and described.

DESCRIPTION

FIG. 1 is a top perspective view of a golf club head;
 FIG. 2 is a bottom perspective view of the golf club head of FIG. 1;
 FIG. 3 is a front elevational view of the golf club head of FIG. 1;
 FIG. 4 is a rear elevational view of the golf club head of FIG. 1;
 FIG. 5 is a top view of the golf club head of FIG. 1;
 FIG. 6 is a bottom view of the golf club head of FIG. 1;
 FIG. 7 is a left side view of the golf club head of FIG. 1;
 FIG. 8 is a right side view of the golf club head of FIG. 1;
 FIG. 9 is a second embodiment of a top perspective view of a golf club head;
 FIG. 10 is a bottom perspective view of the golf club head of FIG. 9;
 FIG. 11 is a front elevational view of the golf club head of FIG. 9;
 FIG. 12 is a rear elevational view of the golf club head of FIG. 9;
 FIG. 13 is a top view of the golf club head of FIG. 9;
 FIG. 14 is a bottom view of the golf club head of FIG. 9;
 FIG. 15 is a left side view of the golf club head of FIG. 9; and,
 FIG. 16 is a right side view of the golf club head of FIG. 9.

The broken lines shown in one or more of the figures are for illustrative purposes only and form no part of the claimed design.

1 Claim, 8 Drawing Sheets



OTHER PUBLICATIONS

Stina Sterberg, "Hot List 2008—Putters," Golf Digest, Feb. 2008 at 158-169, also available at: <http://www.golfdigest.com/equipment/ratings>.

John A. Solheim, et al., "Golf Club Heads with Three-Dimensional Alignment Member and Methods to Manufacture Golf Club Heads," U.S. Appl. No. 61/048,679, filed Apr. 29, 2008.

John A. Solheim, et al., "Golf Club Head with Three-Dimensional Alignment Aid and Method to Manufacture," U.S. Appl. No. 12/164,956, filed Jun. 30, 2008.

John A. Solheim, et al., "Golf Club Head," U.S. Appl. No. 29/322,717, filed Aug. 11, 2008.

* cited by examiner

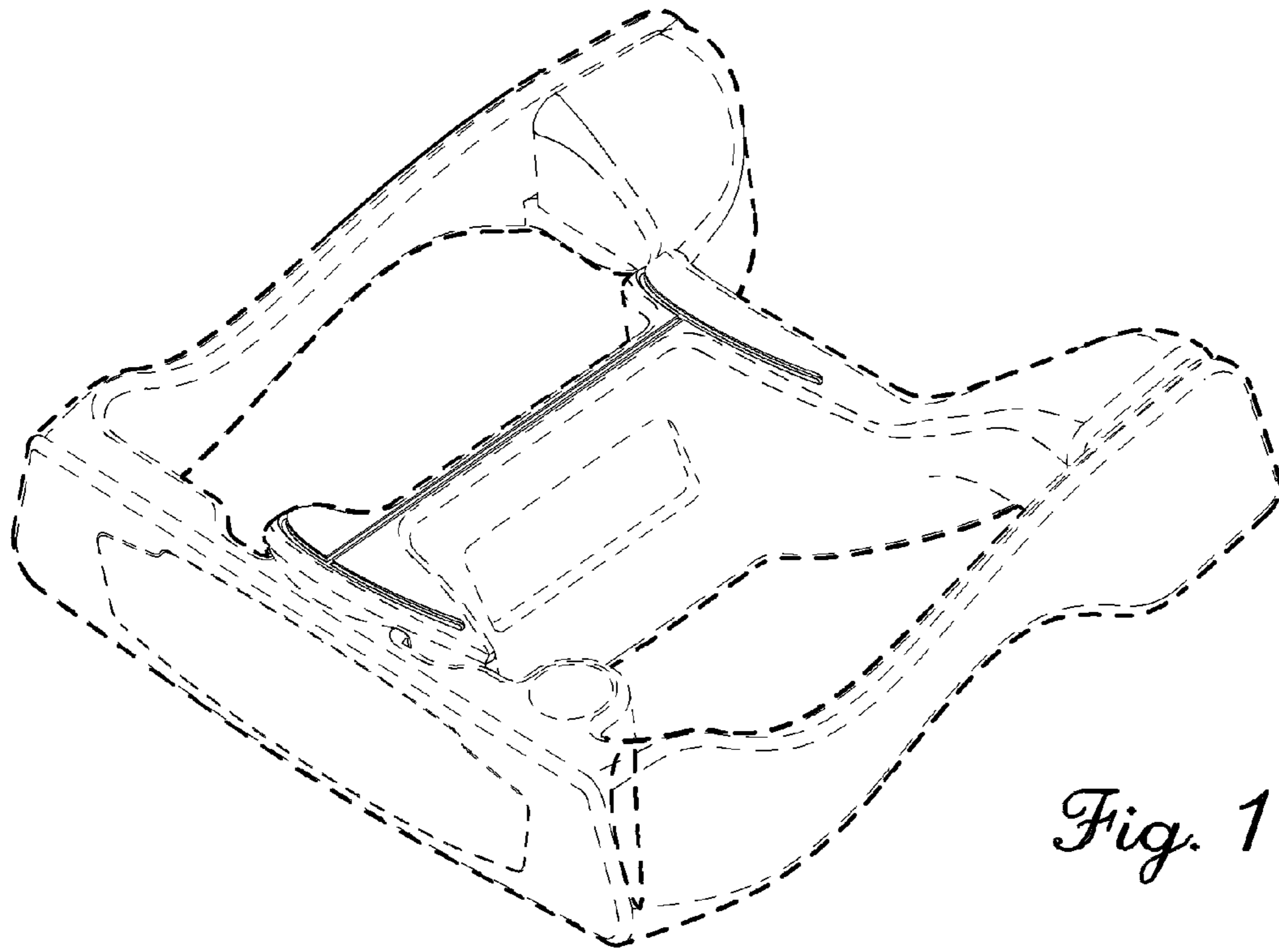


Fig. 1

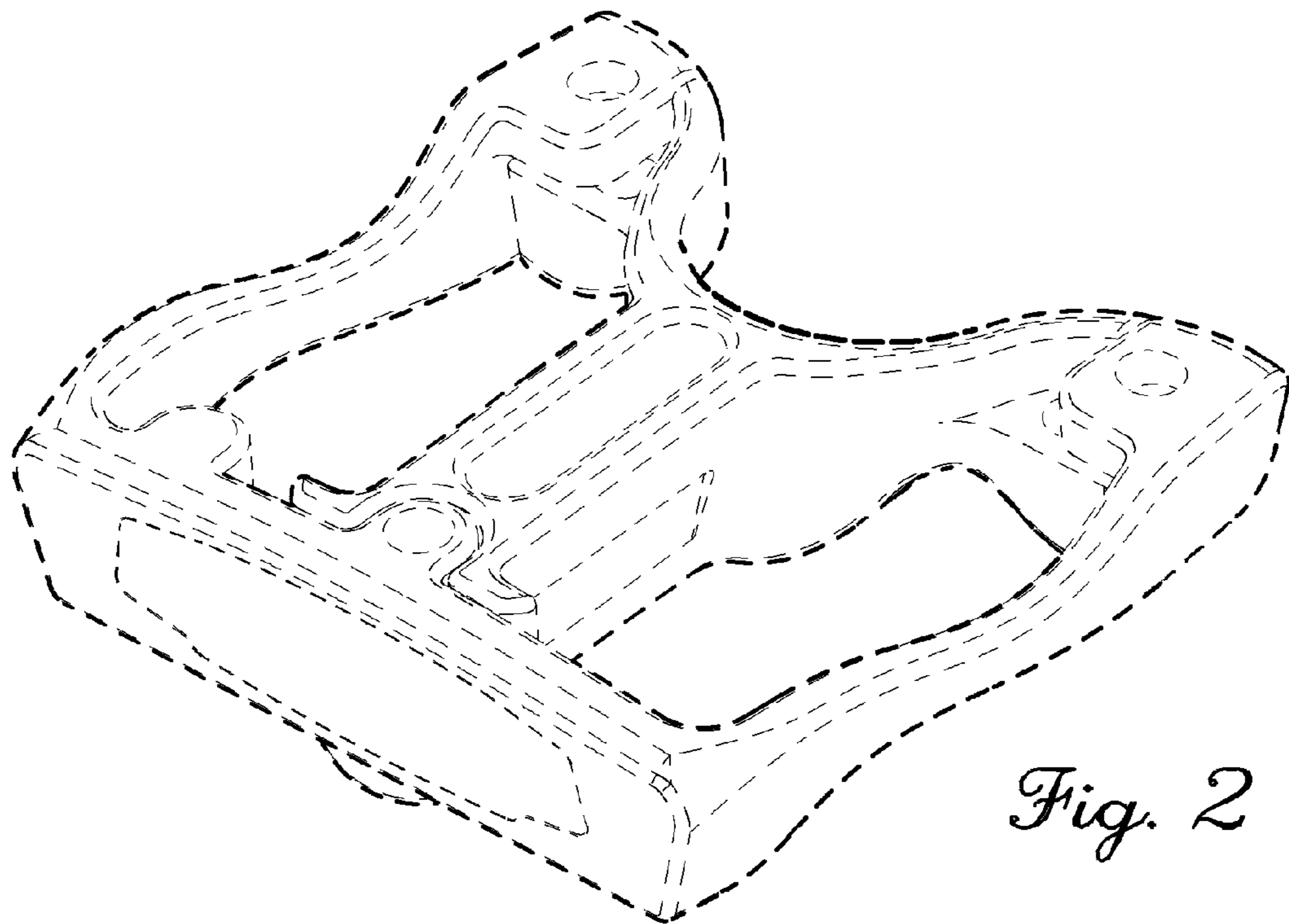


Fig. 2

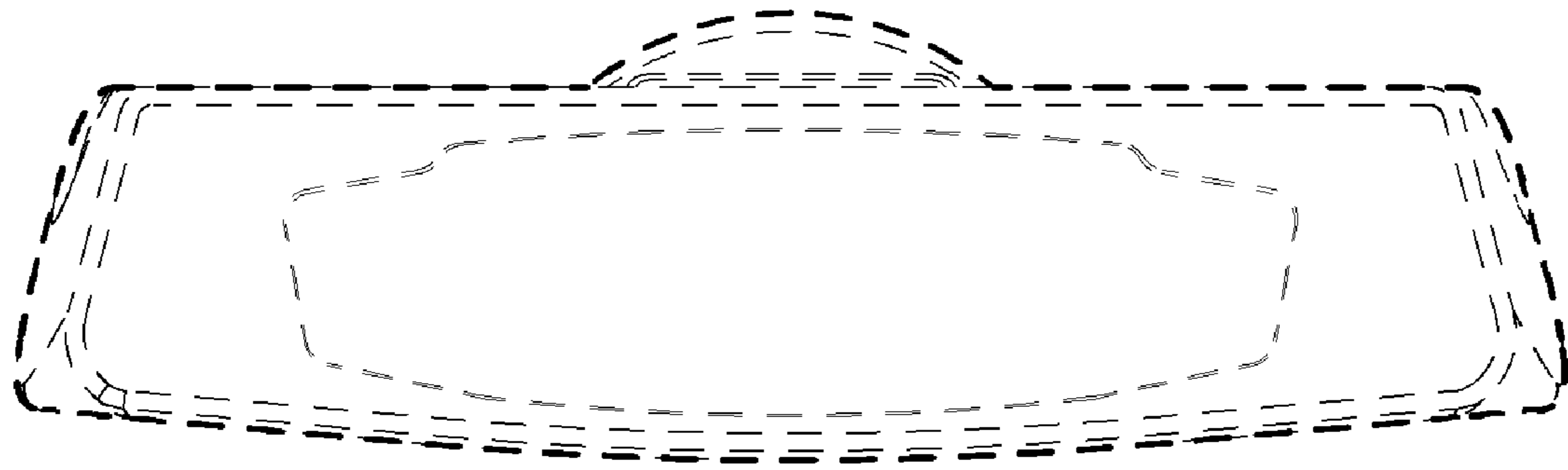


Fig. 3

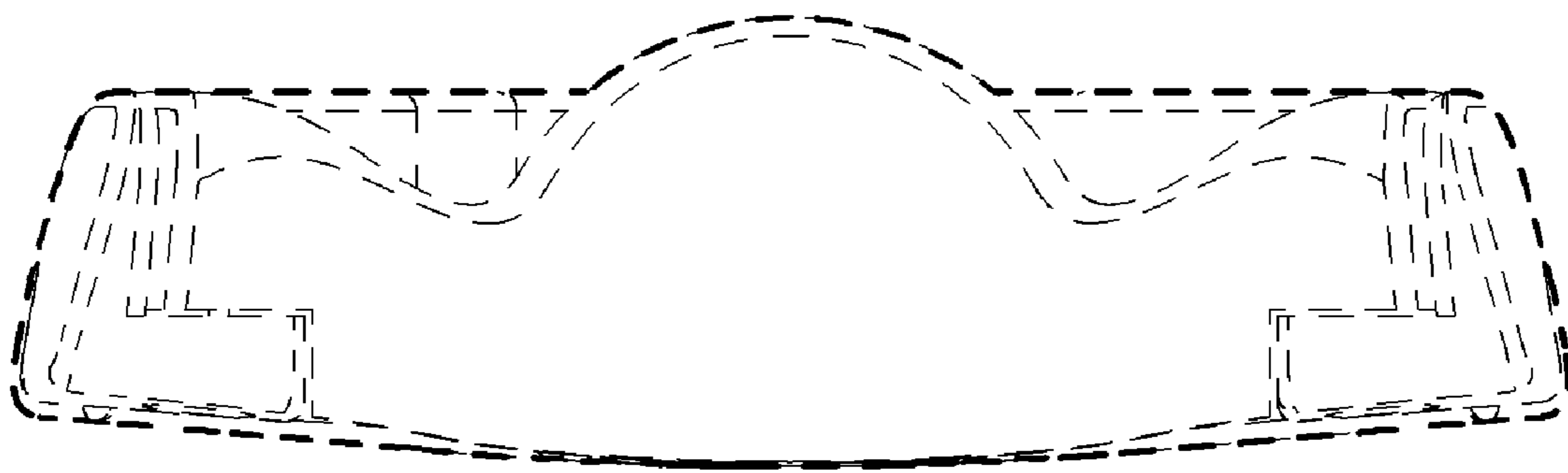


Fig. 4

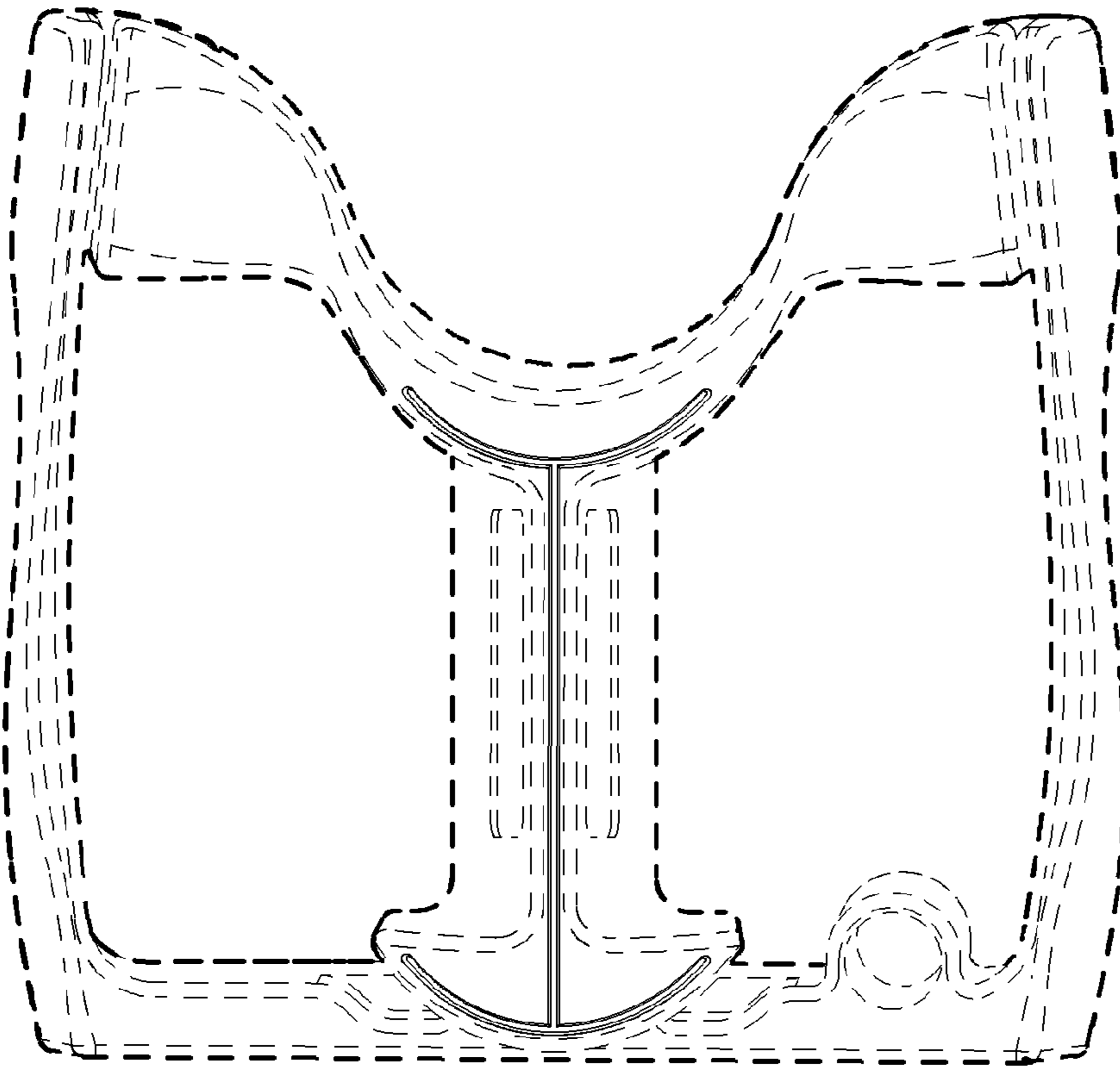


Fig. 5

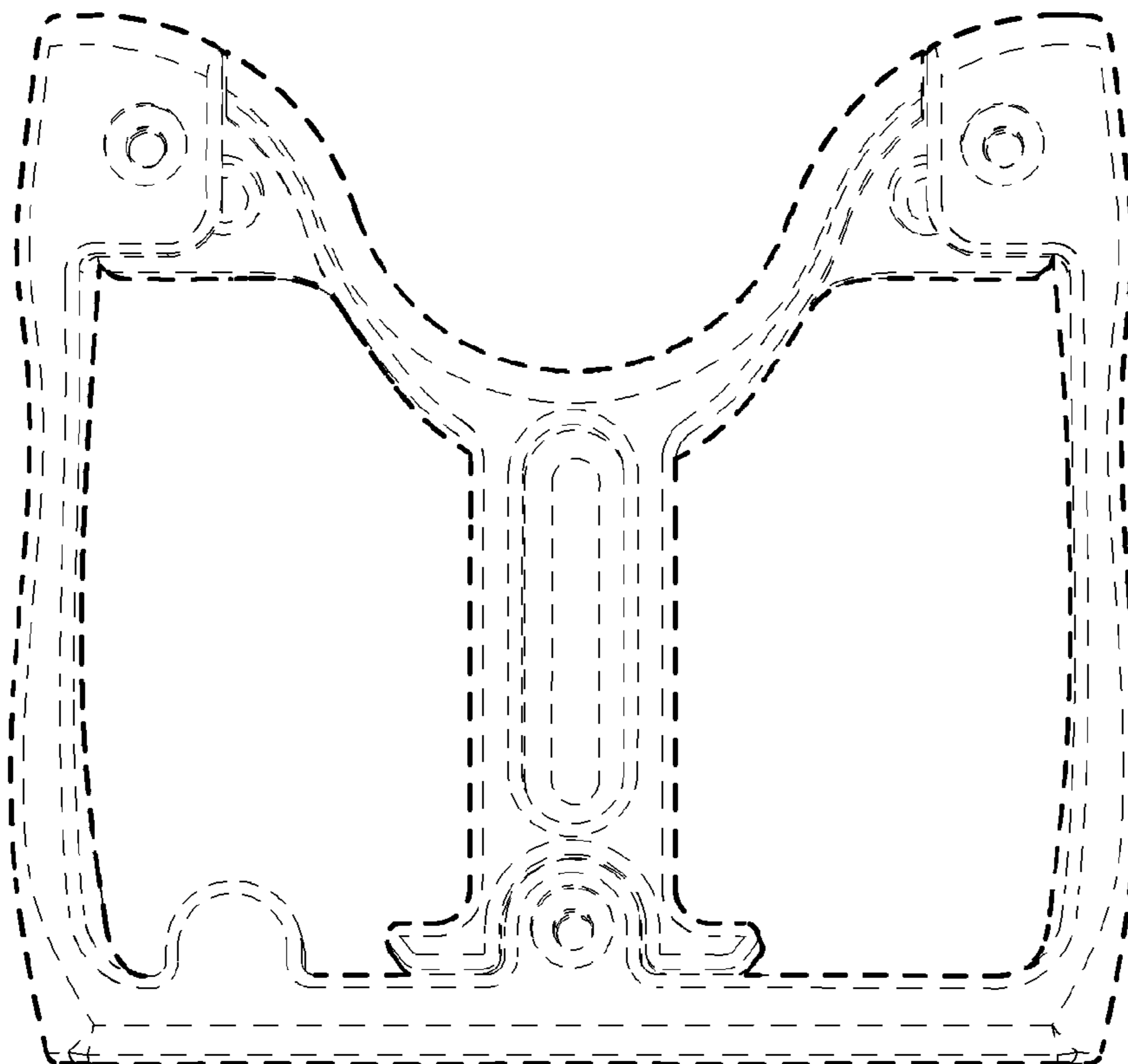


Fig. 6

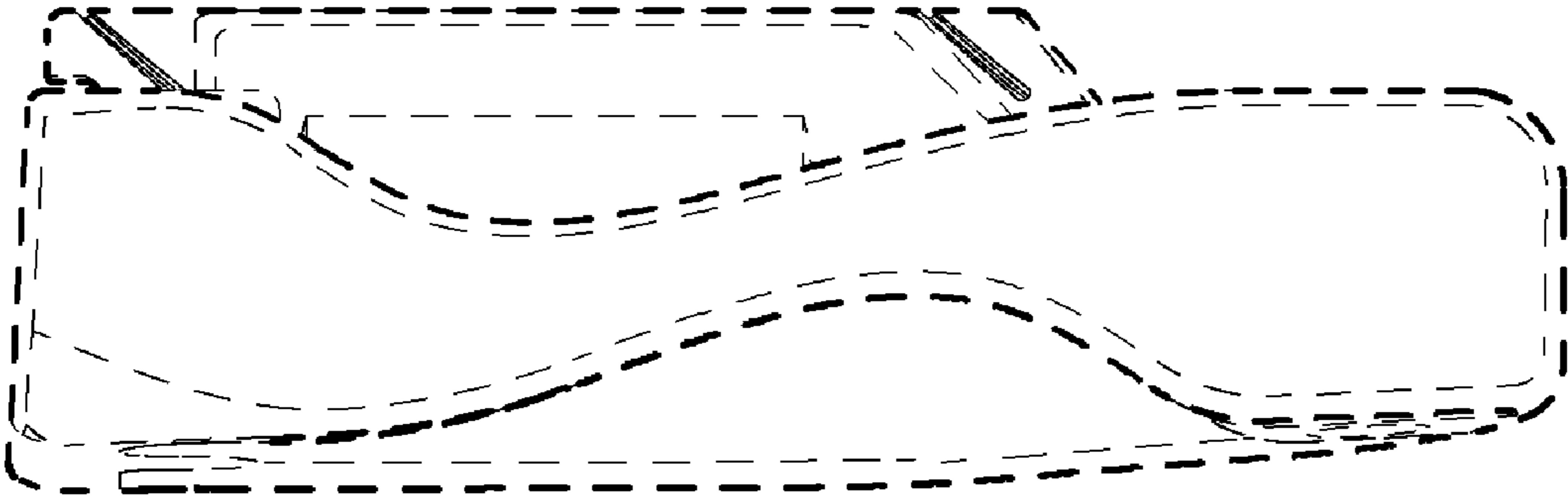


Fig. 7

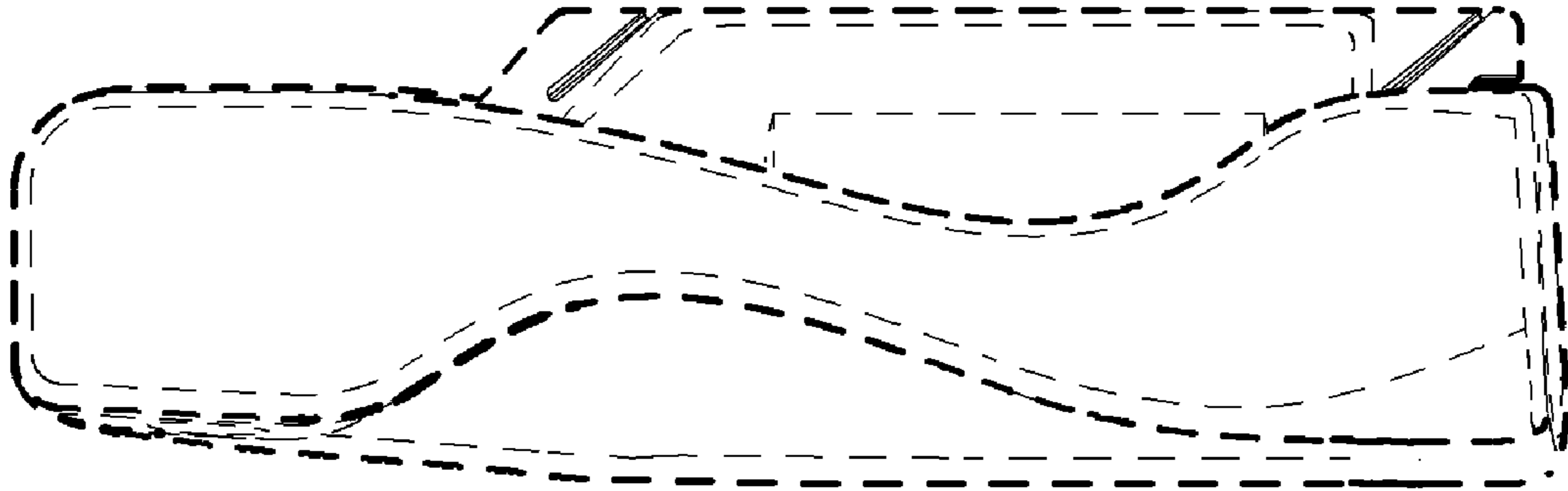


Fig. 8

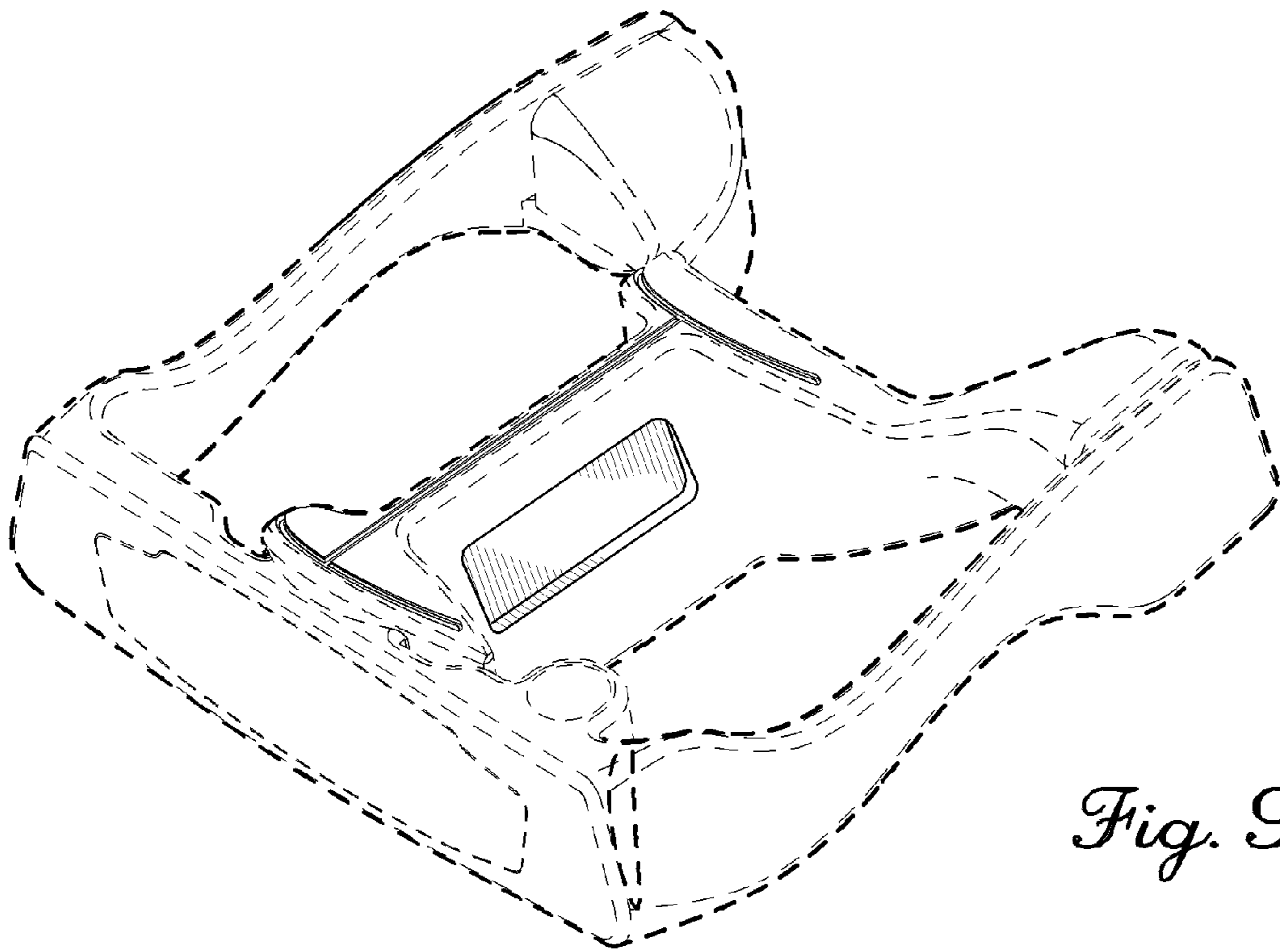


Fig. 9

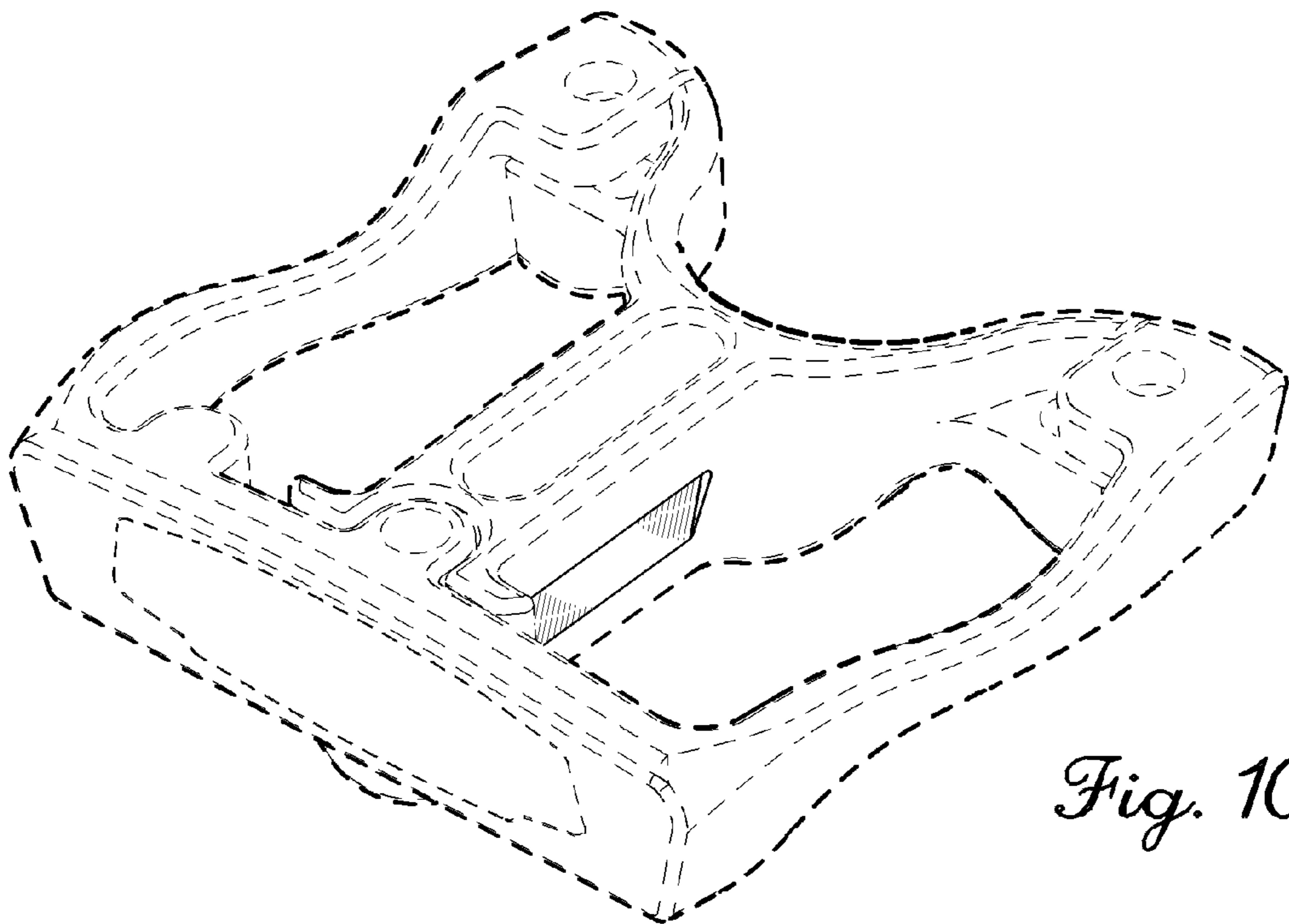


Fig. 10

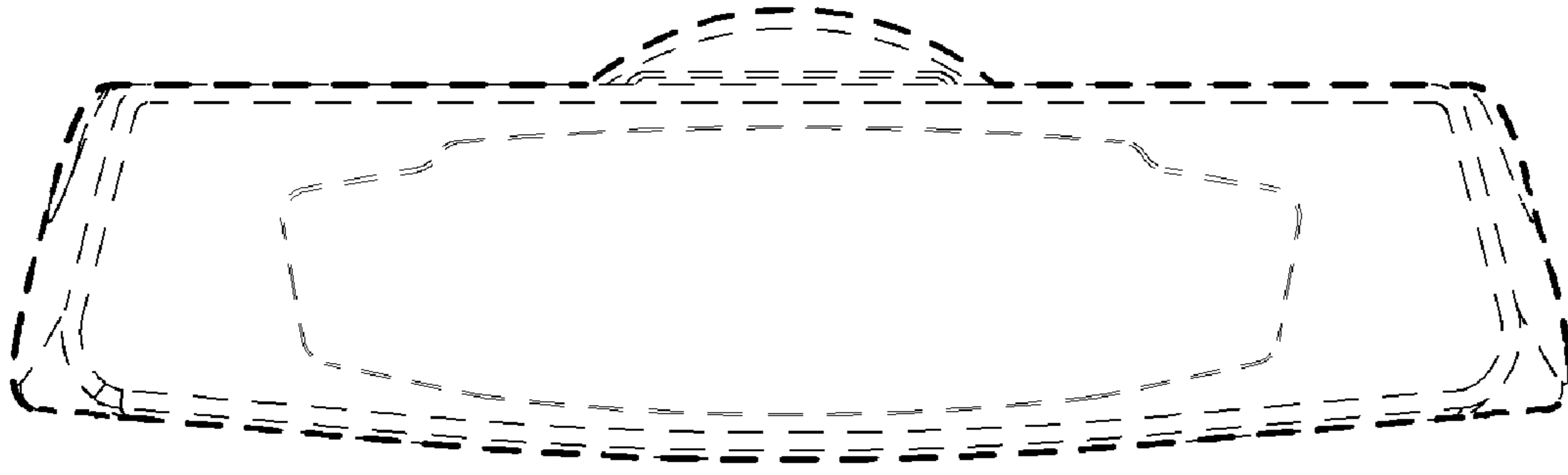


Fig. 11

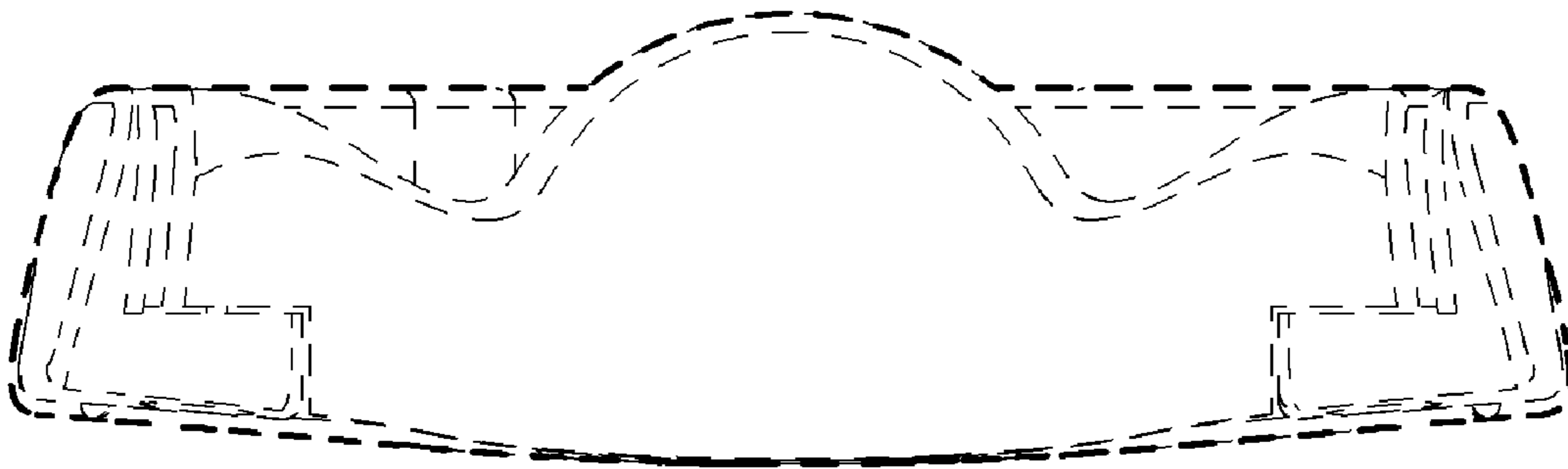


Fig. 12

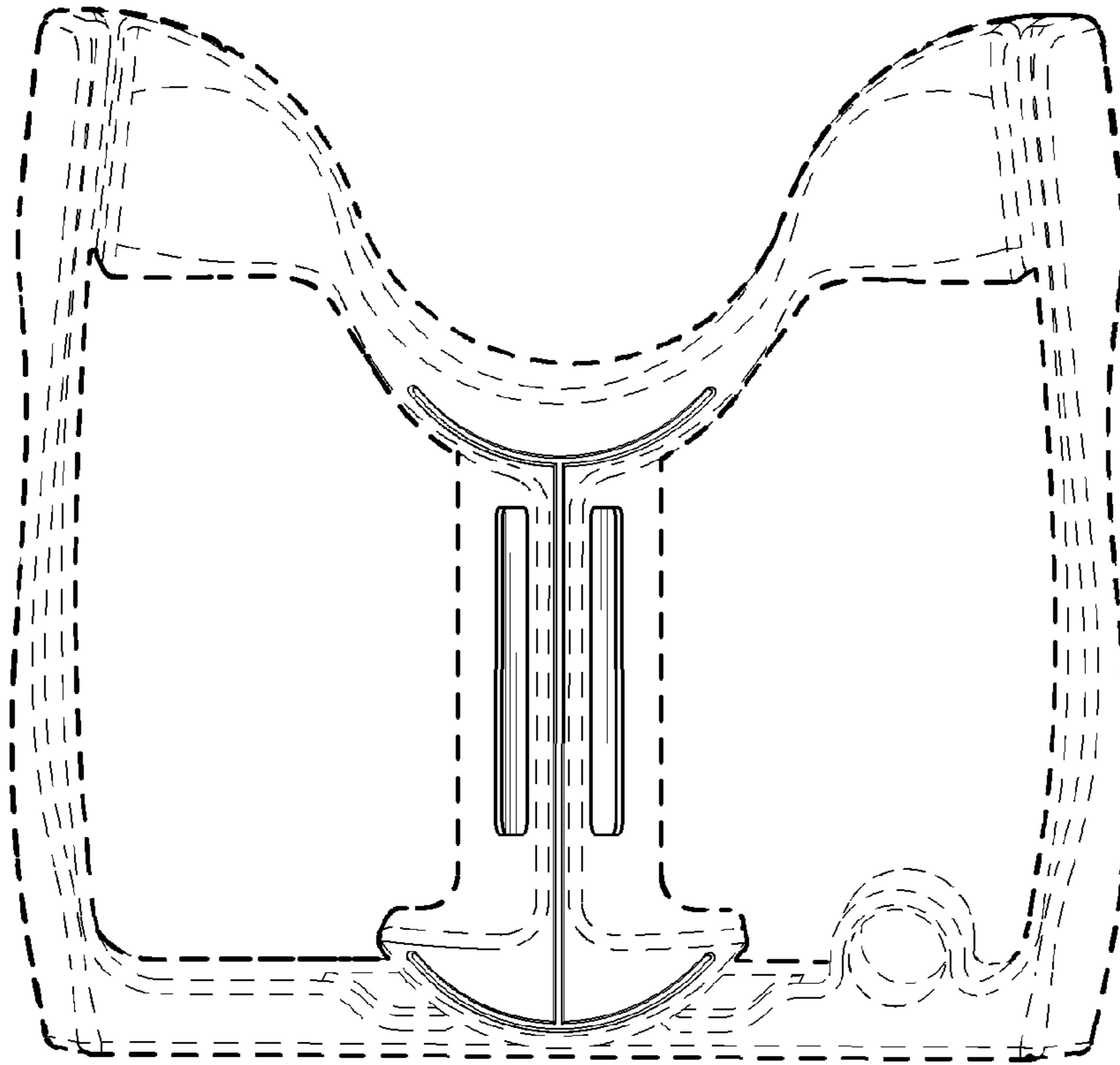


Fig. 13

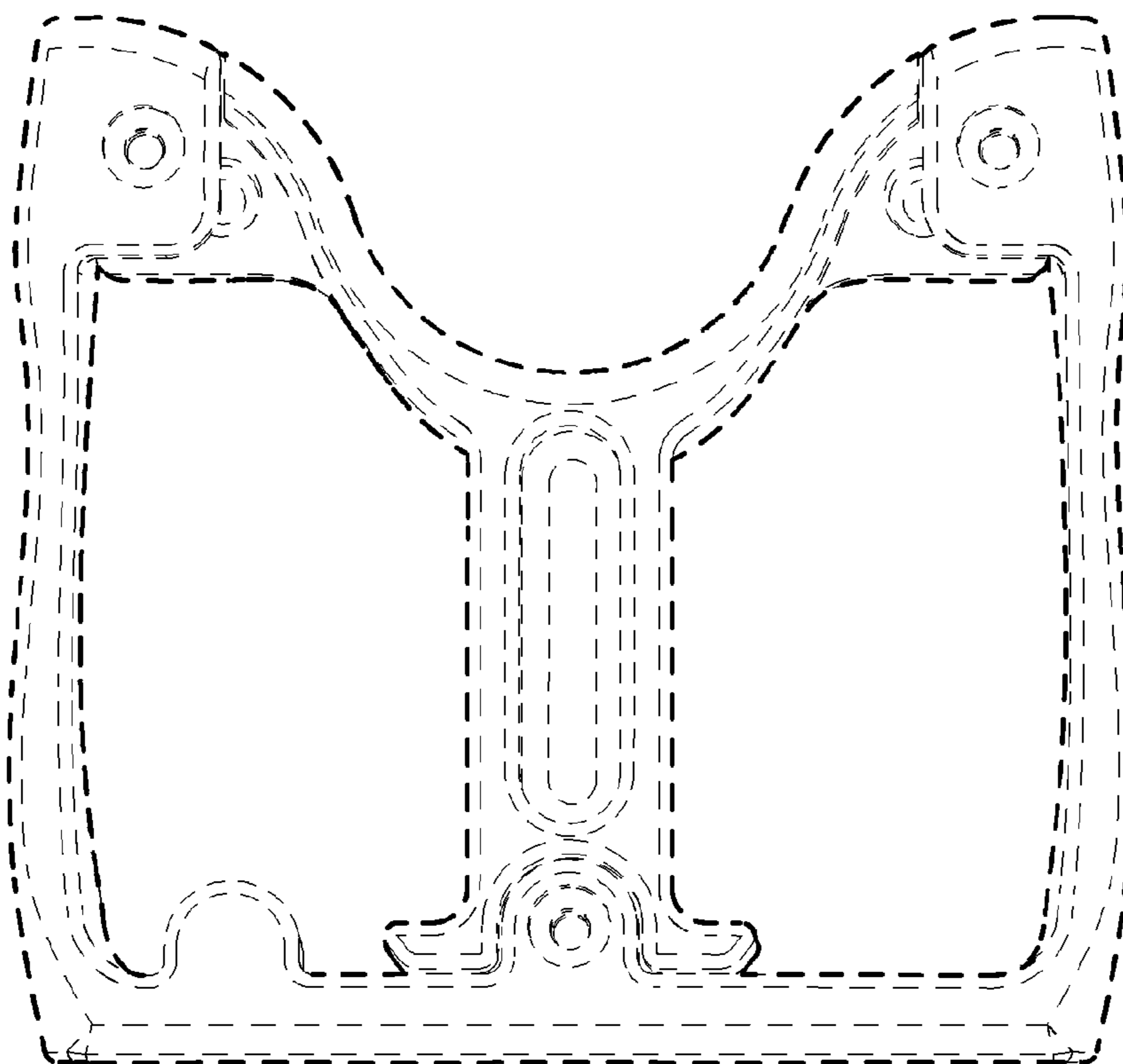


Fig. 14

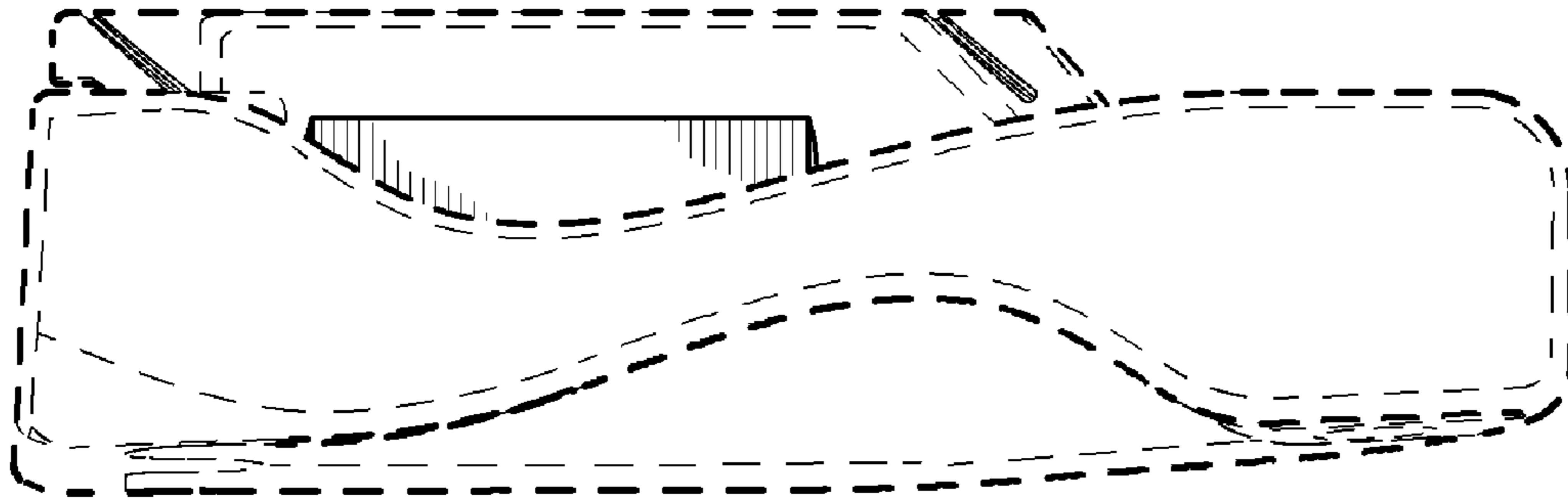


Fig. 15

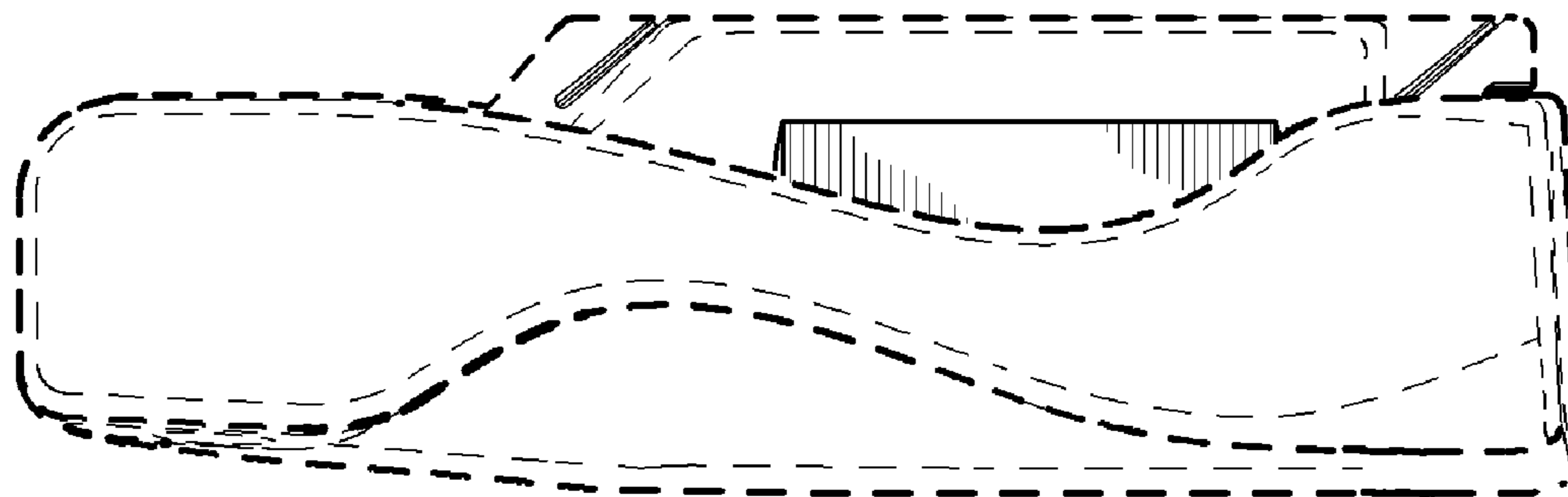


Fig. 16