



US00D582997S

(12) **United States Design Patent**
Olason et al.

(10) **Patent No.:** **US D582,997 S**
(45) **Date of Patent:** **** Dec. 16, 2008**

- (54) **SUPPORT BARS FOR A TREADMILL**
- (75) Inventors: **Brady A. Olason**, Mukilteo, WA (US);
Gregory T. Janky, Sammamish, WA (US)
- (73) Assignee: **Precor Incorporated**, Woodinville, WA (US)
- (**) Term: **14 Years**
- (21) Appl. No.: **29/293,344**
- (22) Filed: **Nov. 16, 2007**

D468,139	S	*	1/2003	Strong	D6/499
D469,994	S	*	2/2003	Smith	D6/499
D470,692	S	*	2/2003	Strong et al.	D6/499
6,761,669	B1	*	7/2004	Pan et al.	482/54
D494,645	S		8/2004	Otomi et al.	D21/662
D497,500	S	*	10/2004	Farber et al.	D6/499
6,872,169	B2	*	3/2005	Kuo	482/54
6,878,099	B2	*	4/2005	Corbalis et al.	482/54
D526,031	S		8/2006	Corbalis et al.	D21/663
D531,683	S		11/2006	Choi et al.	D21/696
D567,315	S		4/2008	Horita	D21/696
D575,554	S	*	8/2008	Calabria et al.	D6/462
2004/0209749	A1	*	10/2004	Planit	482/121

* cited by examiner

Primary Examiner—Philip S Hyder

(74) *Attorney, Agent, or Firm*—Terrence P. O'Brien

- (51) **LOC (8) Cl.** **21-02**
- (52) **U.S. Cl.** **D21/694**
- (58) **Field of Classification Search** D6/499,
D6/537, 549; D21/662, 663, 666, 667, 668,
D21/669, 670, 671, 673, 674, 675, 676, 686,
D21/691, 692, 694, 697; D12/163, 412;
D34/27; 482/51, 52, 54, 57, 79, 131, 133,
482/135, 137, 140, 141

See application file for complete search history.

(56) **References Cited**

U.S. PATENT DOCUMENTS

D280,002	S	8/1985	Smith	D21/669
D283,239	S	4/1986	Smith et al.	D21/669
4,635,927	A	* 1/1987	Shu	482/7
4,792,134	A	* 12/1988	Chen	482/54
D303,414	S	9/1989	Armstrong et al.	D21/669
D312,438	S	* 11/1990	Licata	D12/163
D313,826	S	1/1991	Birrell et al.	D21/669
D321,734	S	11/1991	Dunham et al.	D21/669
D424,137	S	* 5/2000	Barker et al.	D21/669
D445,152	S	* 7/2001	Wang et al.	D21/669
D447,780	S	9/2001	Arnold et al.	D21/669
D464,688	S	10/2002	May et al.	D21/668
D465,000	S	10/2002	Arnold et al.	D21/668

(57) **CLAIM**

We claim the ornamental design for supports bars for a treadmill, as shown and described.

DESCRIPTION

FIG. 1 is a front and side perspective view of supports bars for a treadmill;

FIG. 2 is a front and side perspective view of the support bars of FIG. 1 with the control panel of the treadmill removed;

FIG. 3 is a top view of the support bars of FIG. 2;

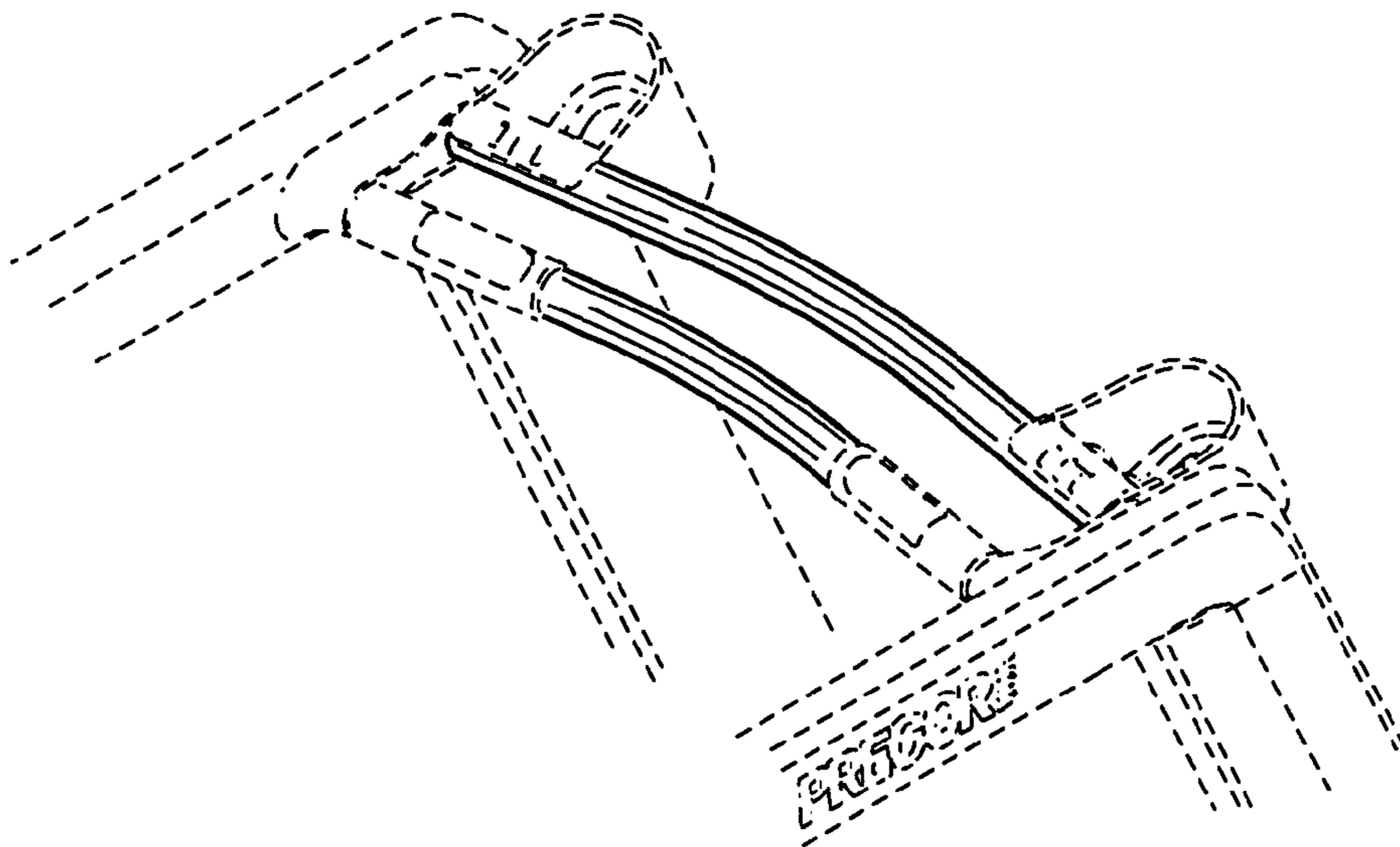
FIG. 4 is a front view of the support bars of FIG. 1;

FIG. 5 is a rear view of the support bars of FIG. 1; and,

FIG. 6 is a bottom view of the support bars of FIG. 1.

The ornamental design that is claimed is shown in solid lines in the drawings. The broken (dashed) lines shown in the drawings are included for the purpose of illustrating environmental elements only and form no part of the claimed design.

1 Claim, 6 Drawing Sheets



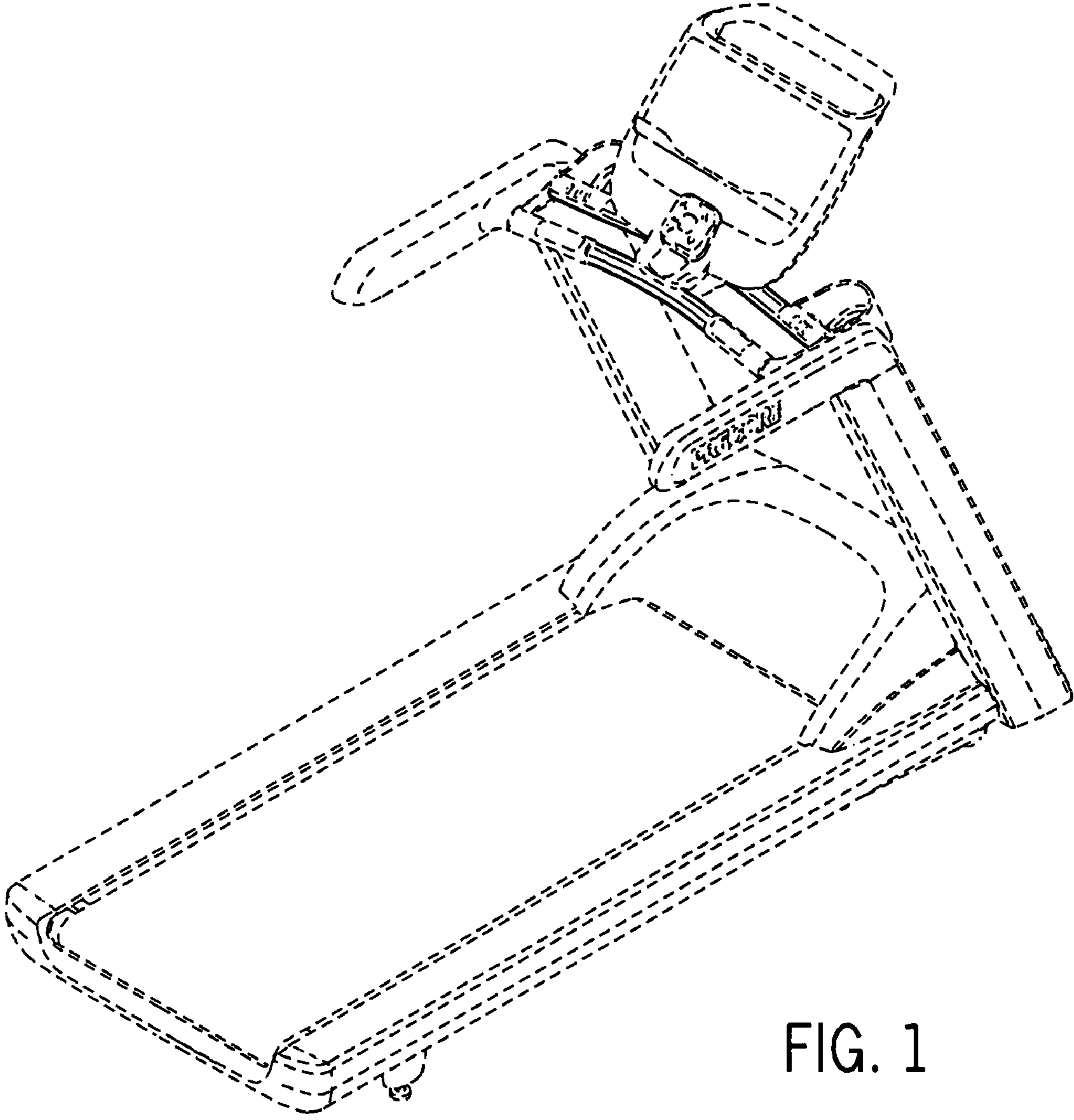


FIG. 1

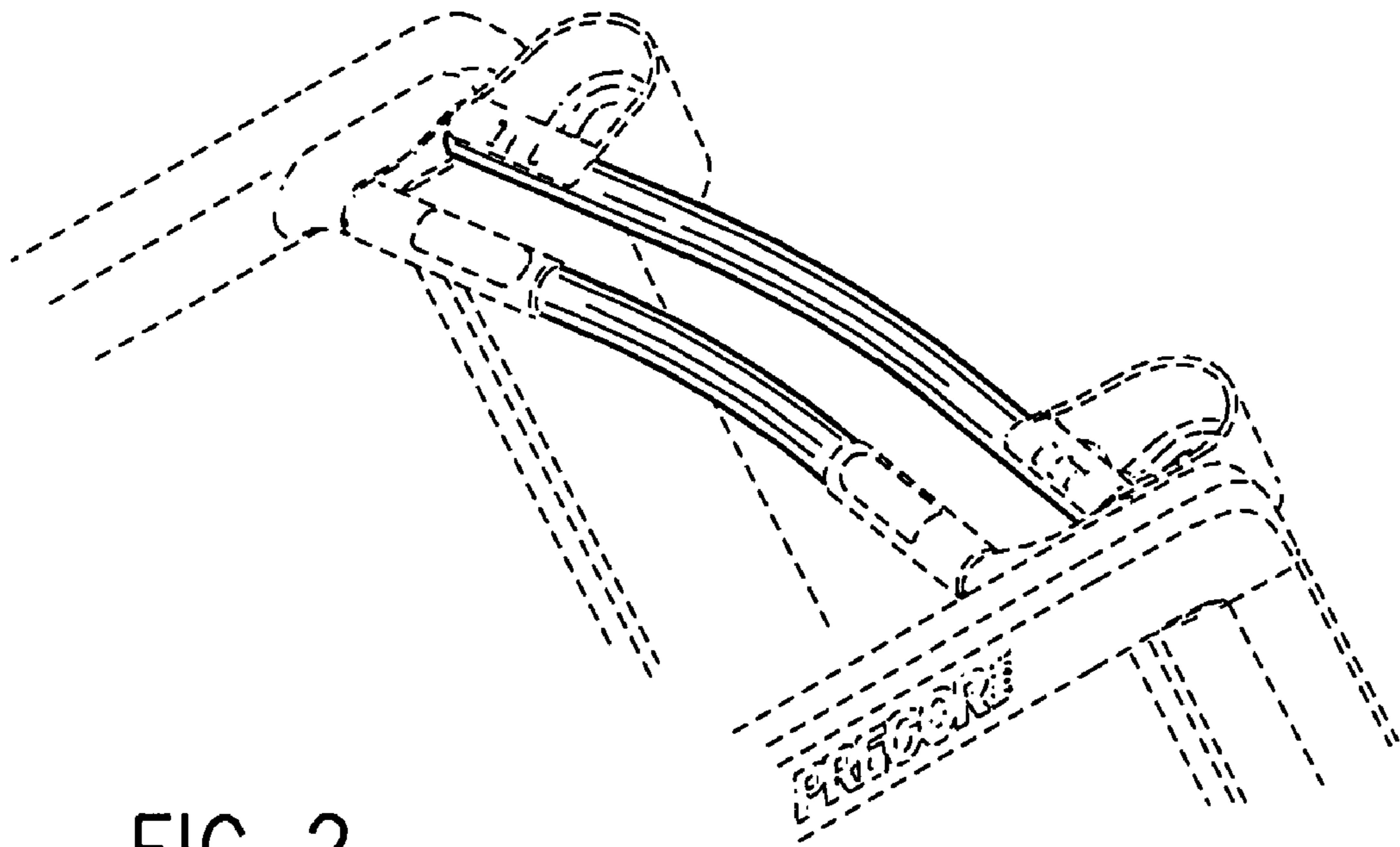


FIG. 2

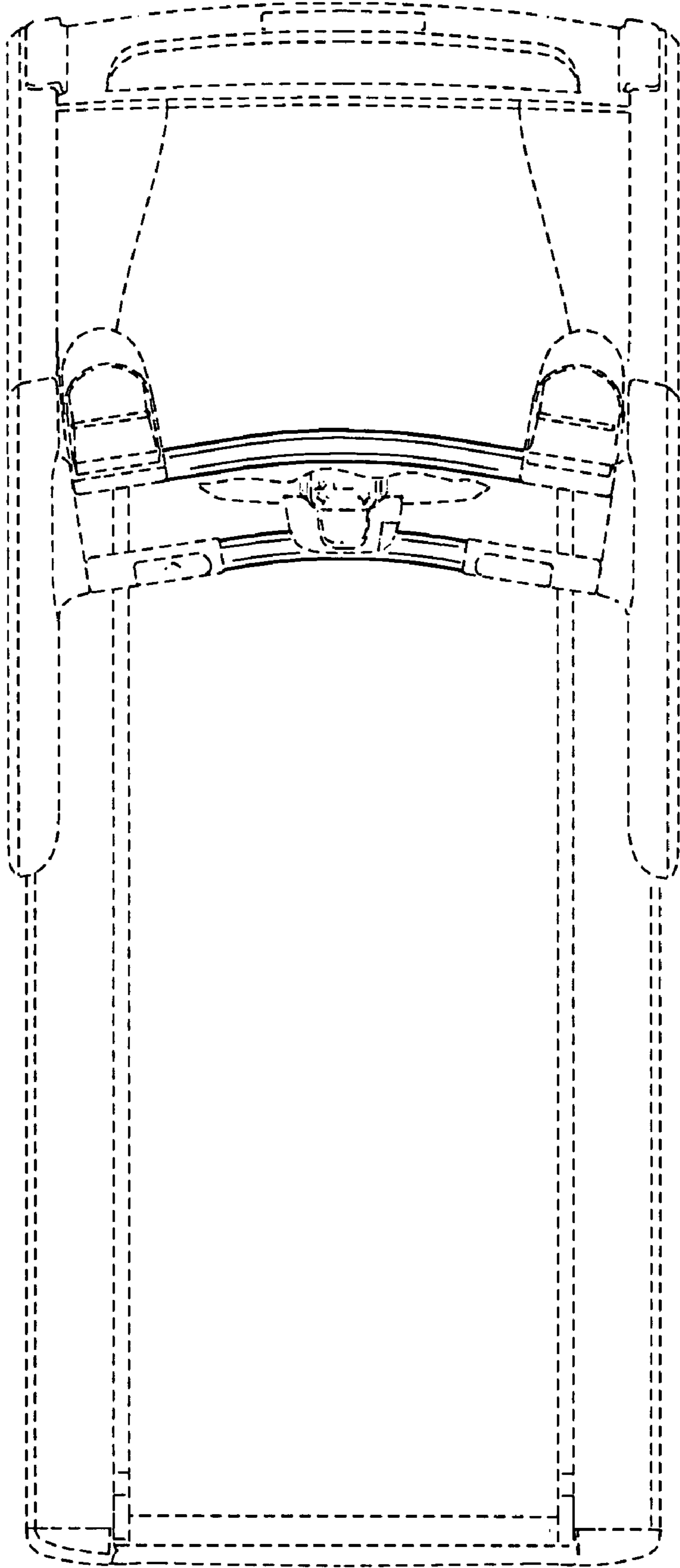


FIG. 3

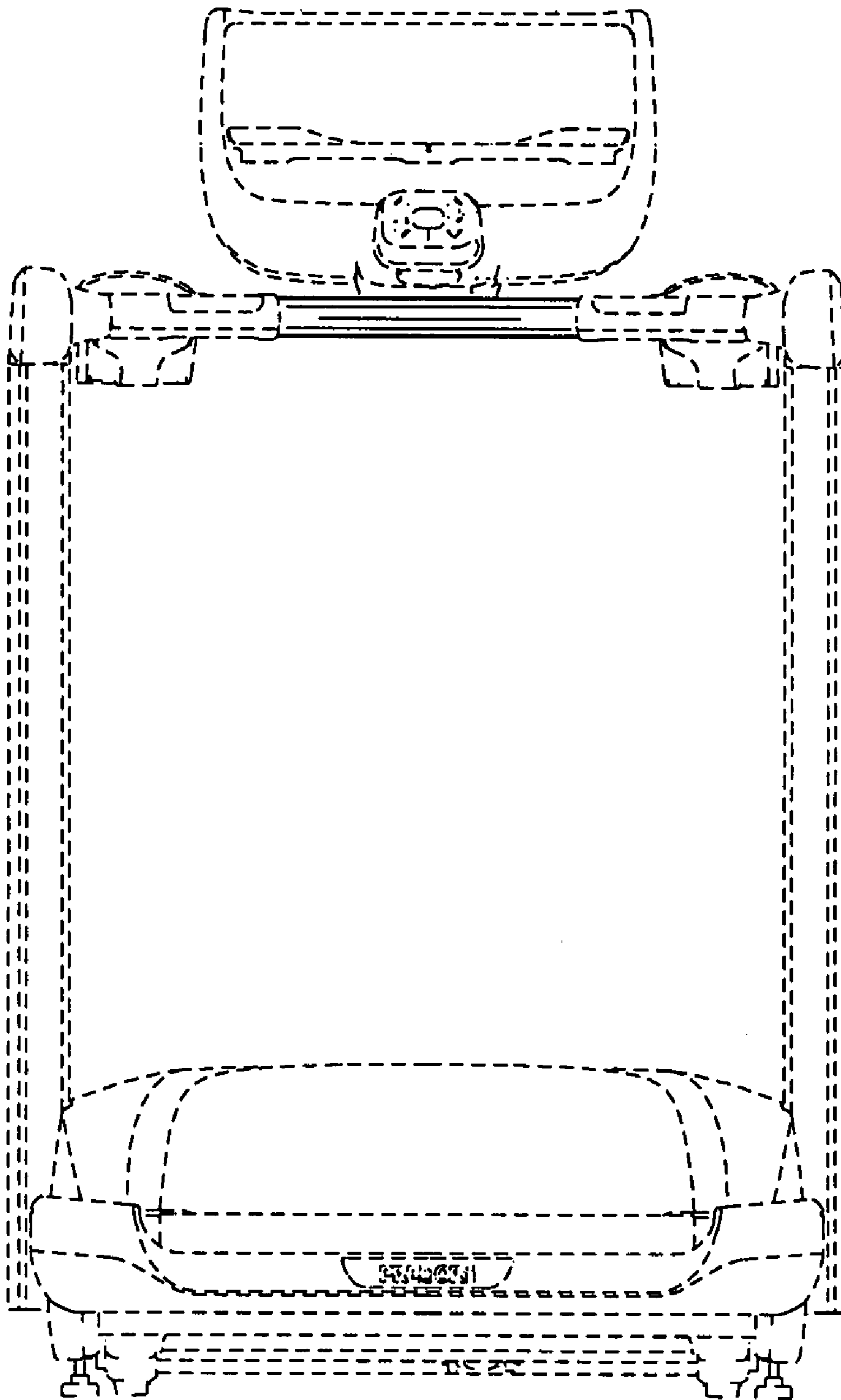


FIG. 4

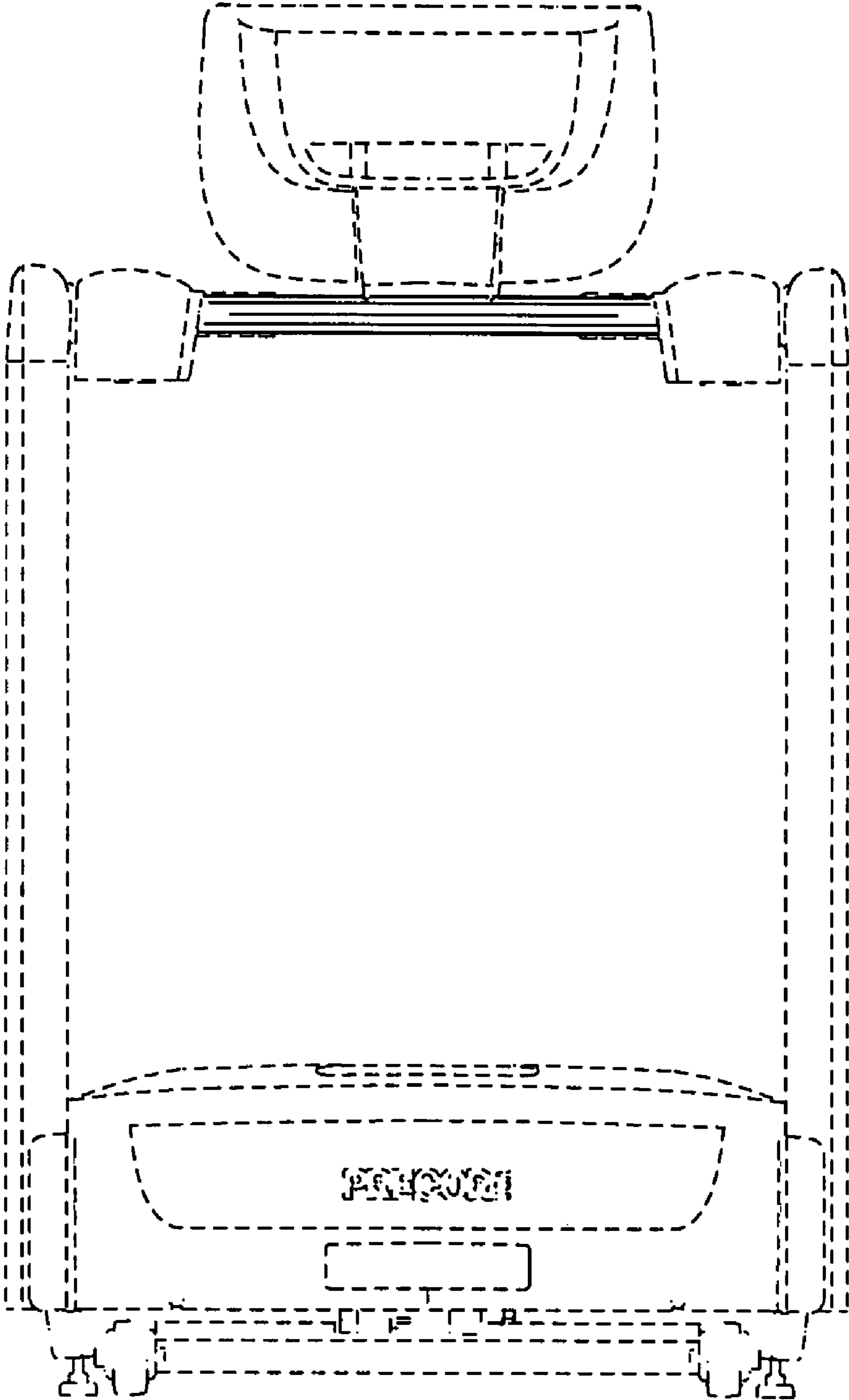


FIG. 5

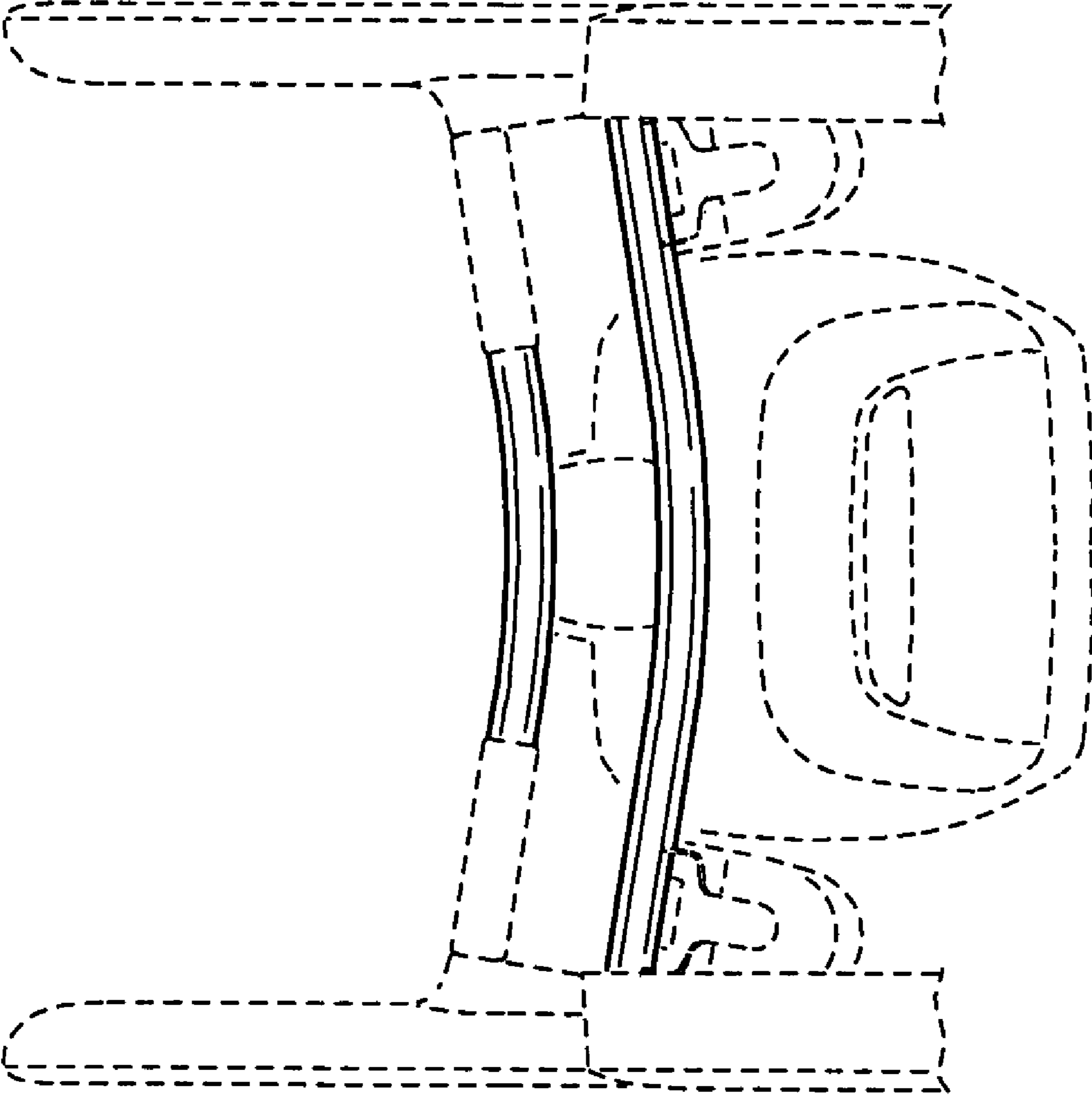


FIG. 6