

US00D582996S

(12) **United States Design Patent**
Mehta

(10) **Patent No.:** **US D582,996 S**

(45) **Date of Patent:** **** Dec. 16, 2008**

(54) **EXERCISER**

(75) Inventor: **Pershant Mehta**, Houston, TX (US)

(73) Assignee: **Je Matadi Dress Co., Inc.**, Stafford, TX (US)

(**) Term: **14 Years**

(21) Appl. No.: **29/261,894**

(22) Filed: **Jun. 22, 2006**

(51) **LOC (8) Cl.** **21-02**

(52) **U.S. Cl.** **D21/689**

(58) **Field of Classification Search** D21/662,
D21/686-690; 482/51, 140, 142, 146-148
See application file for complete search history.

(56) **References Cited**

U.S. PATENT DOCUMENTS

2,256,001	A *	9/1941	Titus	482/147
3,100,639	A *	8/1963	Bonewitz	482/147
4,291,873	A *	9/1981	Lee et al.	482/147
D325,609	S *	4/1992	Cheng	D21/689
D345,473	S *	3/1994	Grundmann	D6/455
D349,931	S *	8/1994	Bostic et al.	D21/689
D352,980	S *	11/1994	Wu	D21/689
D353,640	S *	12/1994	Huang	D21/689
5,549,536	A *	8/1996	Clark	482/146
D380,508	S *	7/1997	Chang	D21/688
D446,264	S *	8/2001	Fischer et al.	D21/662
6,273,841	B1 *	8/2001	Johnston	482/51
D469,831	S *	2/2003	Tuccillo	D21/689
6,875,159	B2 *	4/2005	Chuang	482/51
D549,518	S *	8/2007	Goodman et al.	D7/388
2006/0116261	A1 *	6/2006	Hsiung et al.	482/140

2007/0232460 A1* 10/2007 Nguyen 482/92

OTHER PUBLICATIONS

Red XL Exerciser. Downloaded Oct. 11, 2007 at <http://www.netmall.com/ProductDetails.aspx?Red+XL+Exerciser&page...>*

OSIM iGallop. Downloaded Oct. 15, 2007 at <http://www.osim.com/product/igallop.aspx>.*

Shower Stool with Arms. Downloaded Oct. 11, 2007 at <http://www.coastcaremed.com.au/products/view.asp?PID=BTSS004AD>.*

* cited by examiner

Primary Examiner—Philip S Hyder

Assistant Examiner—Roselynn Cody

(74) *Attorney, Agent, or Firm*—Mark A. Tidwell; Jackson Walker L.L.P.

(57) **CLAIM**

The ornamental design for an exerciser, as shown and described.

DESCRIPTION

FIG. 1 is a perspective view of an exerciser in accordance with the invention;

FIG. 2 is a front view of the exerciser;

FIG. 3 is a back view of the exerciser;

FIG. 4 is left side view of the exerciser;

FIG. 5 is right side view of the exerciser;

FIG. 6 is a top view of the exerciser; and,

FIG. 7 is a bottom view of the exerciser.

The broken lines shown throughout the drawing disclosure are illustrative of environmental structure only and form no part of the claimed design.

1 Claim, 4 Drawing Sheets

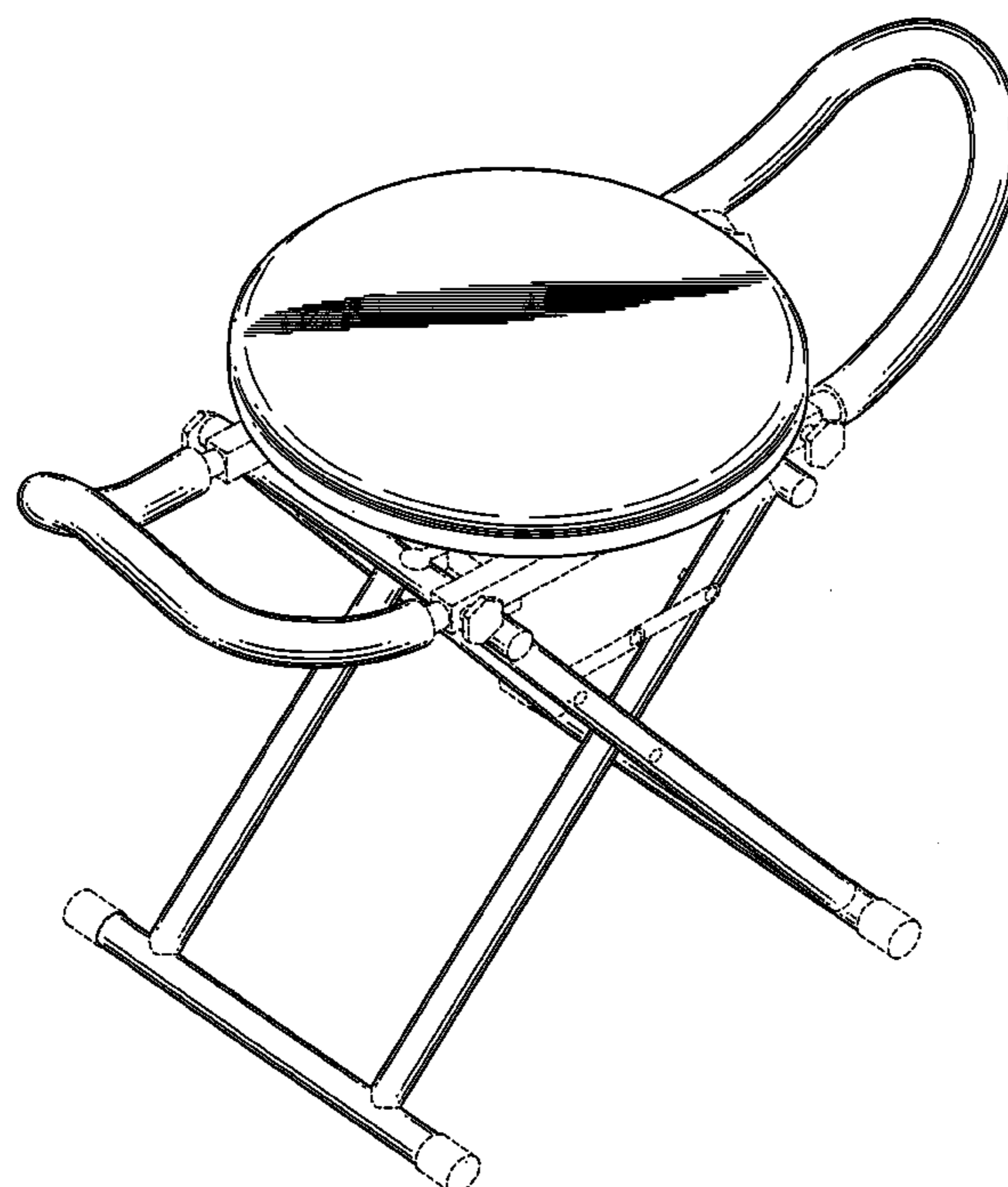
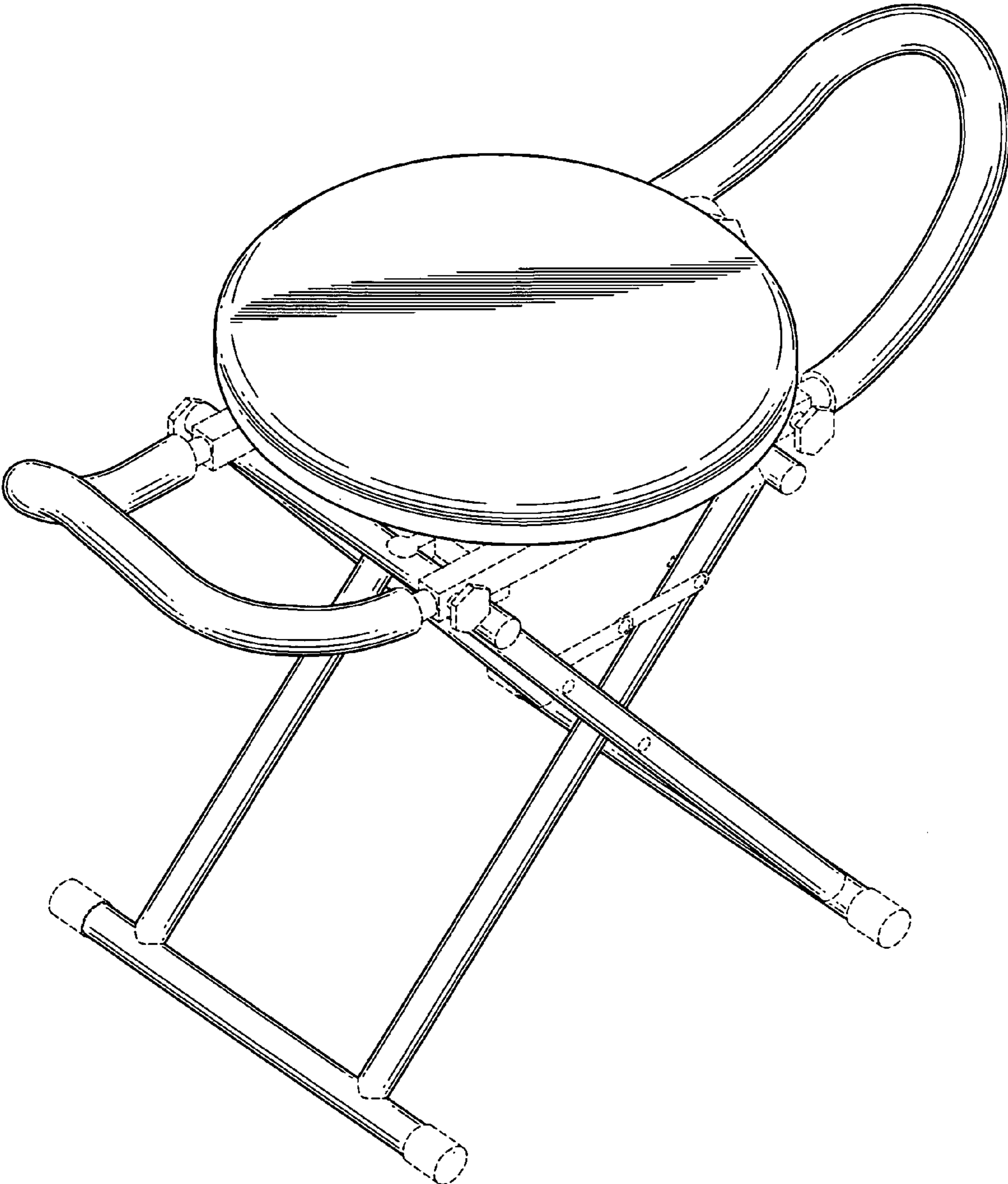


Fig. 1



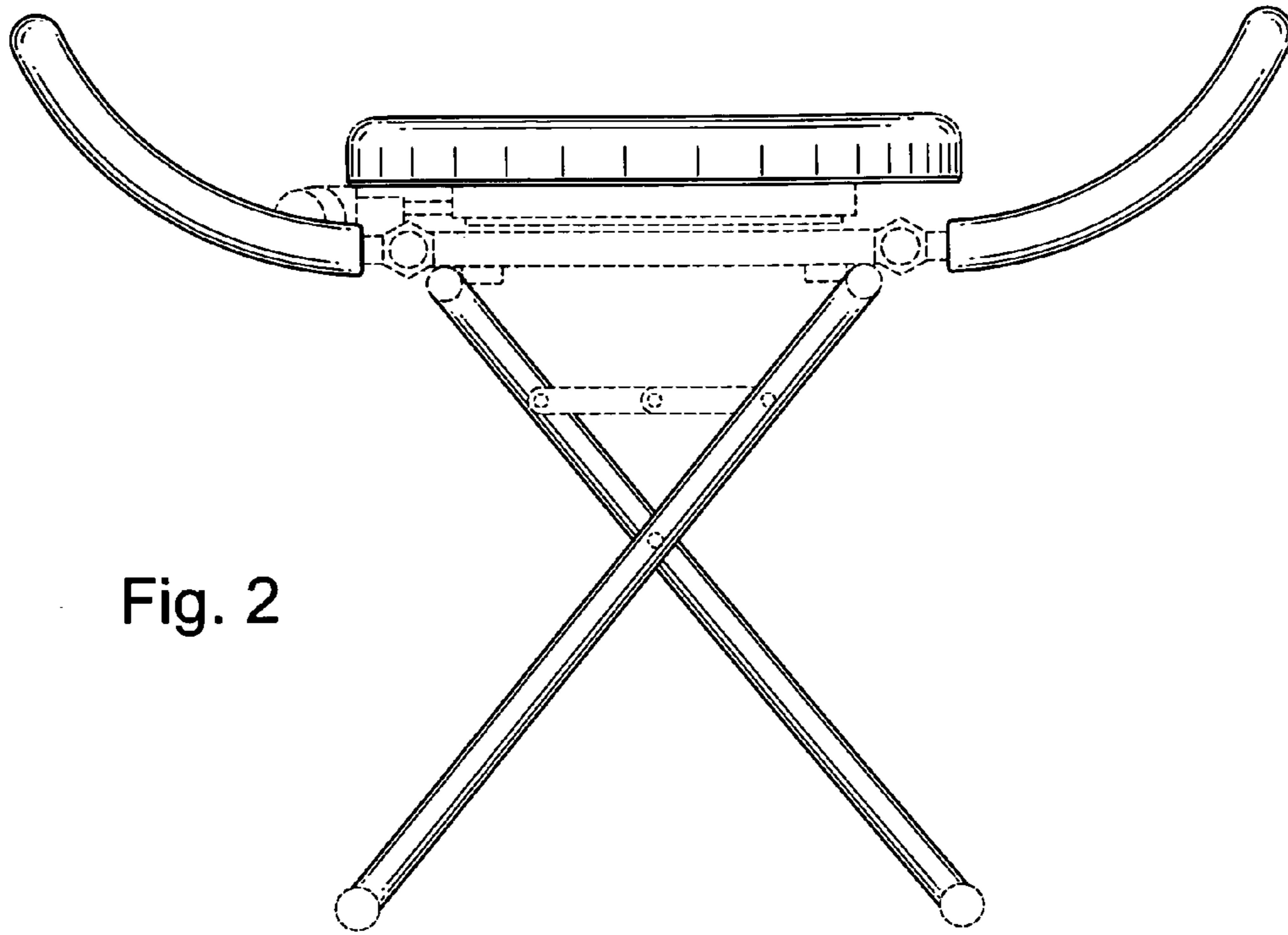


Fig. 2

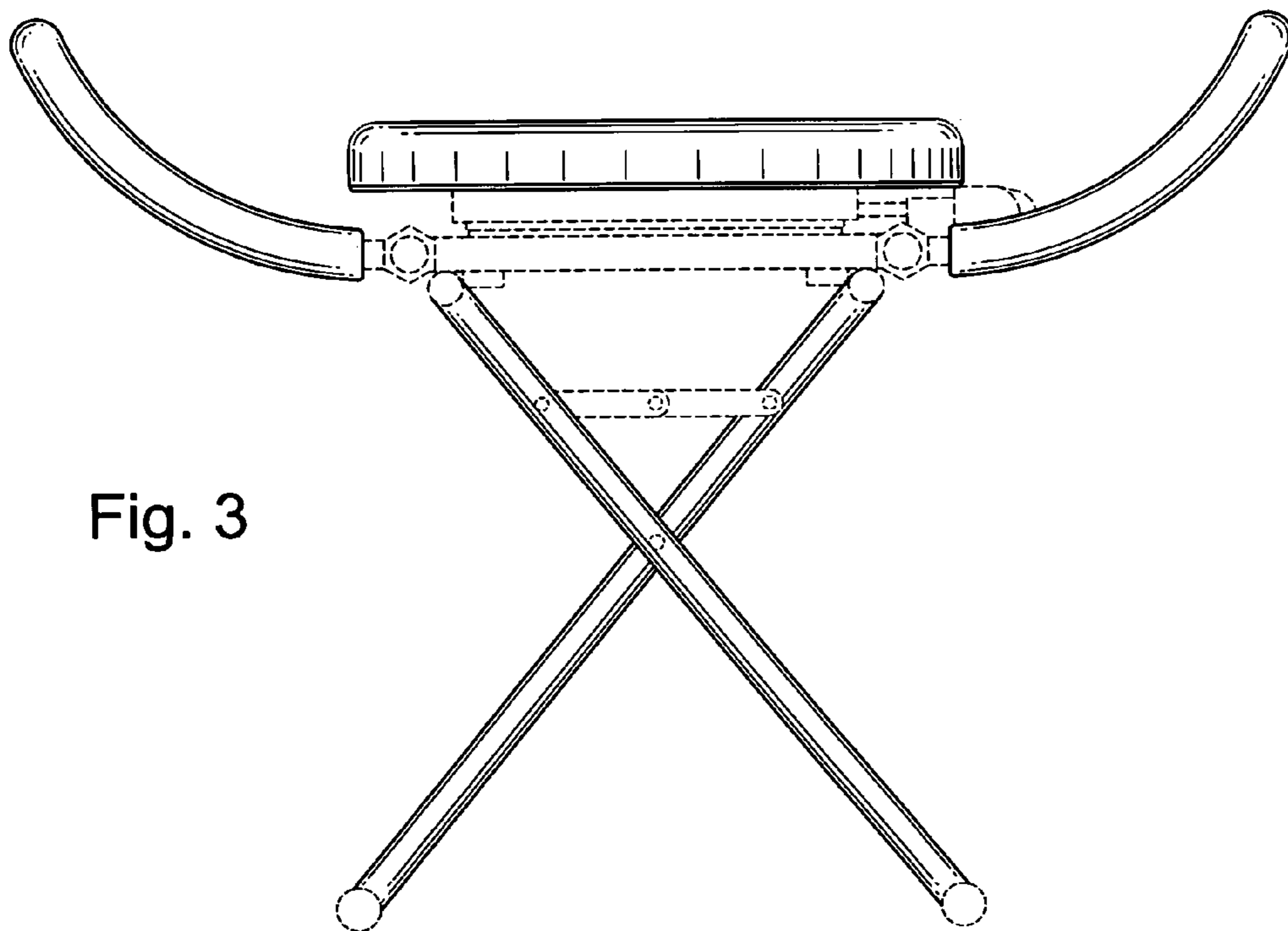


Fig. 3

Fig. 5

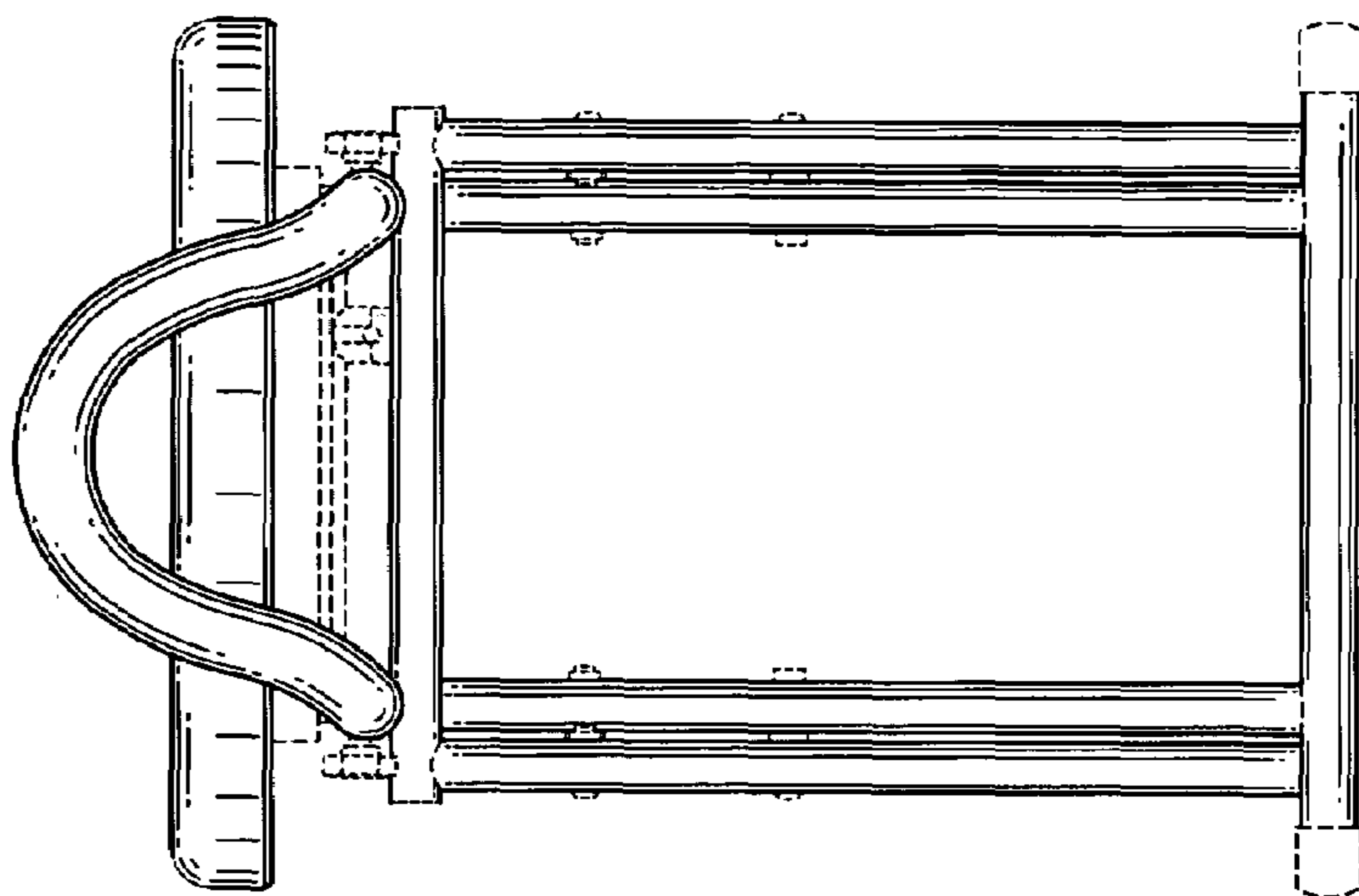


Fig. 4

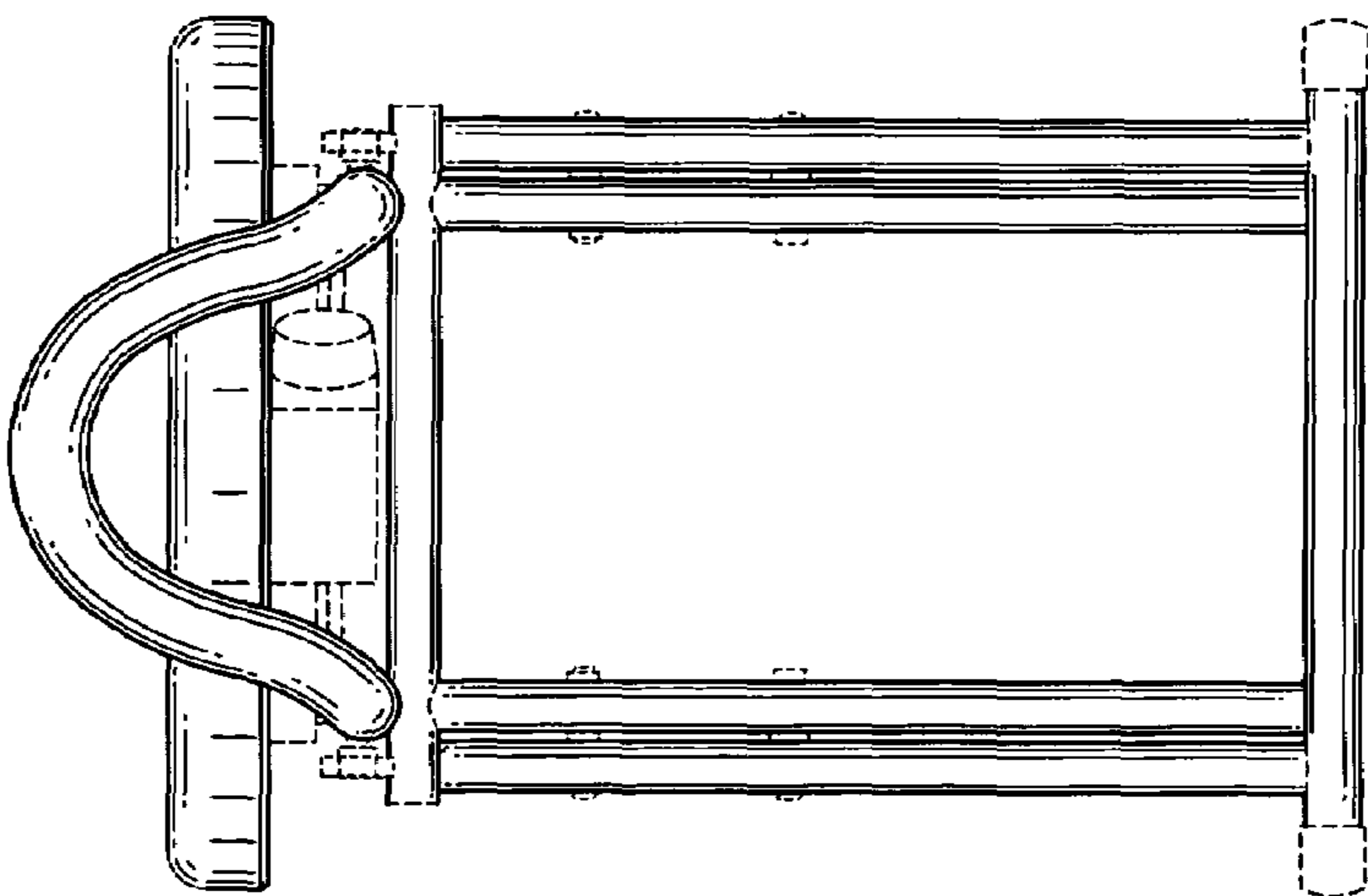


Fig. 6

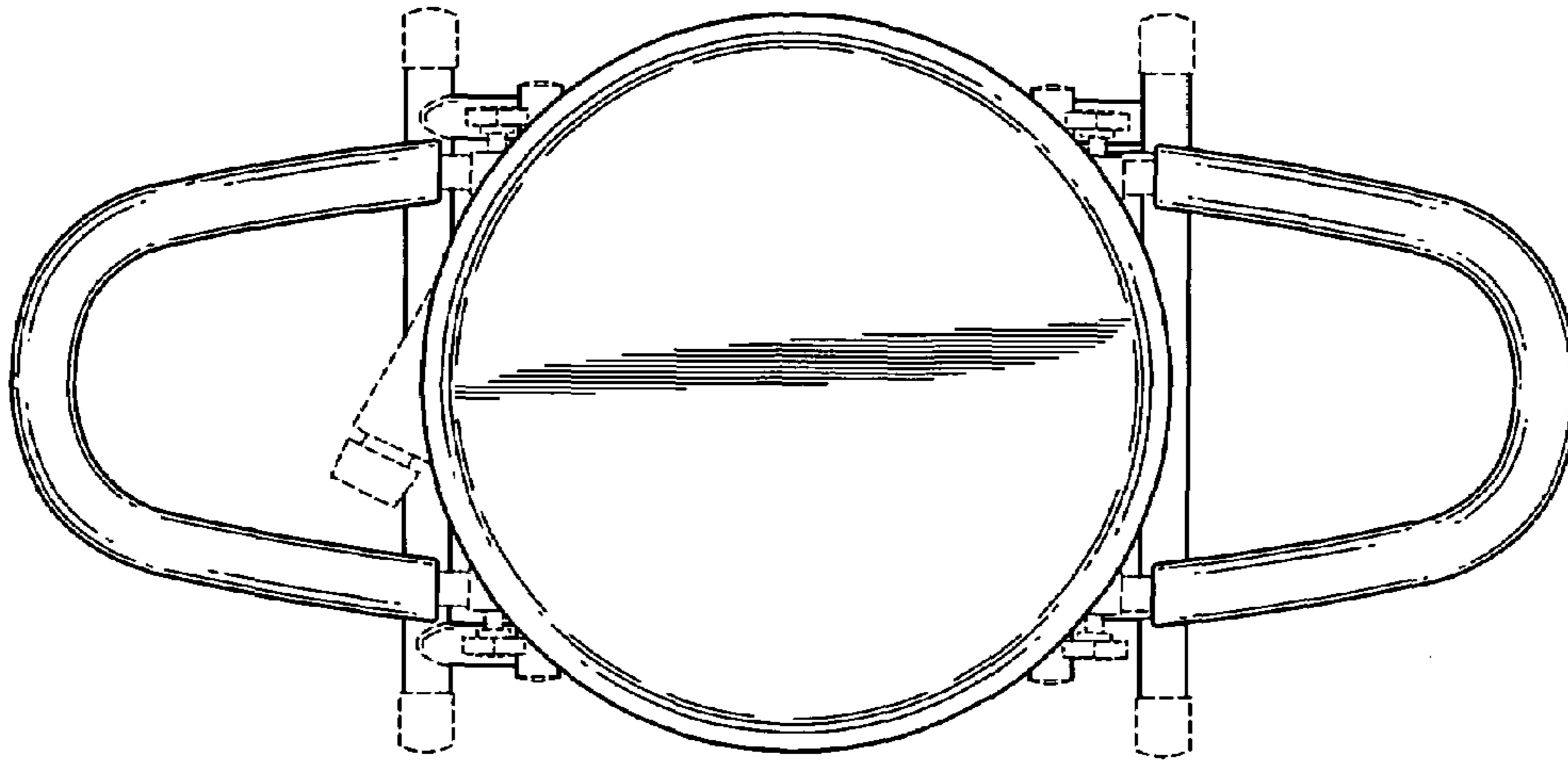


Fig. 7

