



US00D582992S

(12) **United States Design Patent**
Alais

(10) **Patent No.:** **US D582,992 S**

(45) **Date of Patent:** **** Dec. 16, 2008**

(54) **RIDING DEVICE**

(75) Inventor: **Denis Alais**, Epsom (NZ)

(73) Assignee: **Engage Trading Limited**, Royal Oak (NZ)

(**) Term: **14 Years**

(21) Appl. No.: **29/290,015**

(22) Filed: **Oct. 11, 2007**

(30) **Foreign Application Priority Data**

Apr. 11, 2007 (NZ) 408971

(51) **LOC (8) Cl.** **21-01**

(52) **U.S. Cl.** **D21/426**

(58) **Field of Classification Search** D21/419,
D21/424-427, 433, 434, 533, 536, 548-551,
D21/562; D12/87-88, 108; 446/160, 447,
446/428, 456, 465, 470; 280/124.11, 827,
280/828, 87.01, 87.021, 87.03, 93.507, 775,
280/282; 180/11, 54.1, 56, 65.1, 89.1, 227,
180/311, 350, 357

See application file for complete search history.

(56) **References Cited**

U.S. PATENT DOCUMENTS

D189,614 S * 1/1961 Beale D21/426
D190,024 S * 4/1961 Rouse D21/426
3,663,038 A 5/1972 Hendricks
D230,755 S 3/1974 Brightbill
3,799,283 A 3/1974 Freber
3,863,950 A 2/1975 Jordan
D243,627 S * 3/1977 Clower D21/426
4,200,304 A 4/1980 Hwang

(Continued)

FOREIGN PATENT DOCUMENTS

FR 2713584 6/1995
FR 010190 4/2001
FR 012222 8/2001

FR 012223 8/2001
WO DM/059162 4/2002

Primary Examiner—Holly H. Baynham

Assistant Examiner—Cynthia M Chin

(74) *Attorney, Agent, or Firm*—Nixon & Vanderhye P.C.

(57) **CLAIM**

The ornamental design for a riding device, as shown and described.

DESCRIPTION

FIG. 1 is a front perspective view of a riding device according to an embodiment of our design;

FIG. 2 is a similar perspective view thereof, shown without the upright extension bars and seat for clarity of illustration;

FIG. 3 is a front view thereof;

FIG. 4 is a rear view thereof;

FIG. 5 is a top view thereof;

FIG. 6 is a bottom view thereof;

FIG. 7 is a tight side view thereof;

FIG. 8 is a left side view thereof;

FIG. 9 is a front perspective view of a riding device according to a 2nd embodiment of our design;

FIG. 10 is a similar perspective view thereof, shown without the upright extension bars and seat for clarity of illustration;

FIG. 11 is a front view thereof;

FIG. 12 is a rear view thereof;

FIG. 13 is a top view thereof;

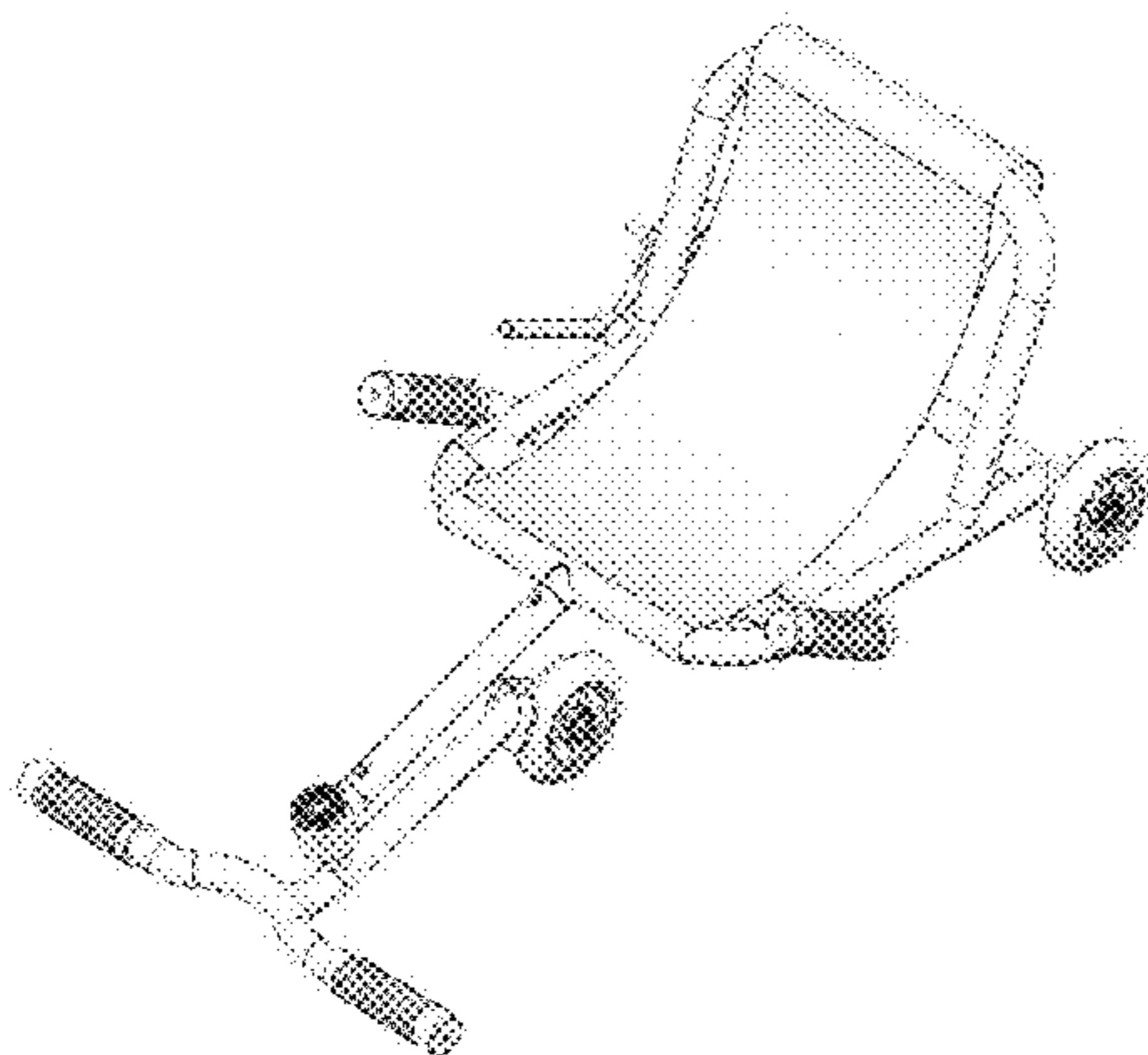
FIG. 14 is a bottom view thereof;

FIG. 15 is a right side view thereof; and,

FIG. 16 is a left side view thereof.

Throughout the various figures of the drawings, certain views may not be provided. The omission of a particular view is intended to convey that the element(s) depicted is/are plain and unornamented in that omitted view, or that the particular ornamental appearance in that view is simply not claimed.

1 Claim, 12 Drawing Sheets



US D582,992 S

Page 2

U.S. PATENT DOCUMENTS					
4,281,844	A	8/1981 Jackman et al.	6,561,534	B2	5/2003 Gu
4,629,023	A	12/1986 Carpanelli et al.	D481,423	S *	10/2003 Nien D21/424
4,930,796	A	6/1990 Harrod	D483,420	S *	12/2003 DeLong et al. D21/435
D378,226	S	2/1997 Sundqvist	D488,194	S *	4/2004 Fox et al. D21/424
D437,364	S	2/2001 Jang	D512,467	S *	12/2005 Hadley et al. D21/424
D469,819	S *	2/2003 Nicolle et al. D21/426	D562,914	S *	2/2008 Oveson et al. D21/426
					* cited by examiner

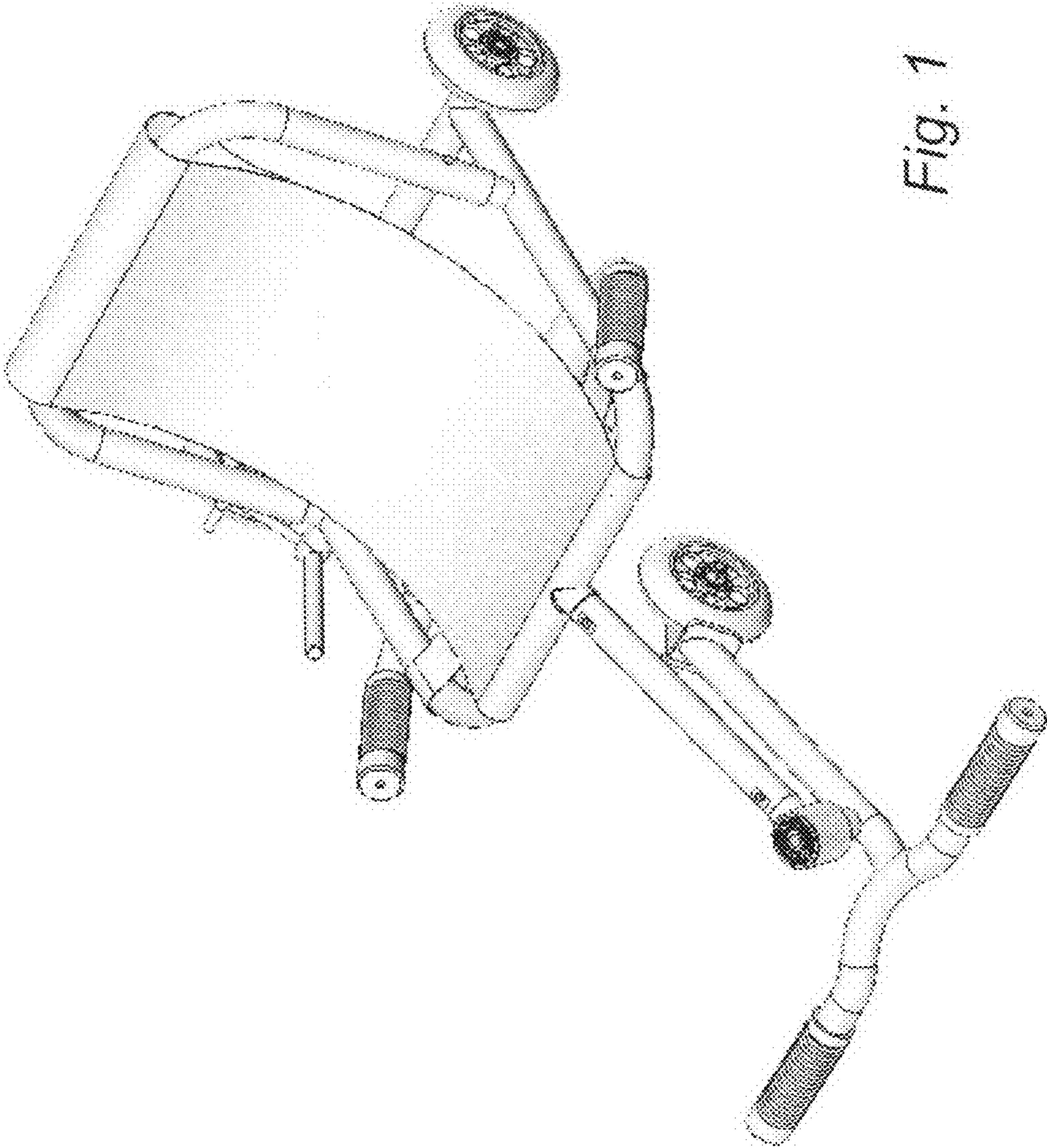


Fig. 1

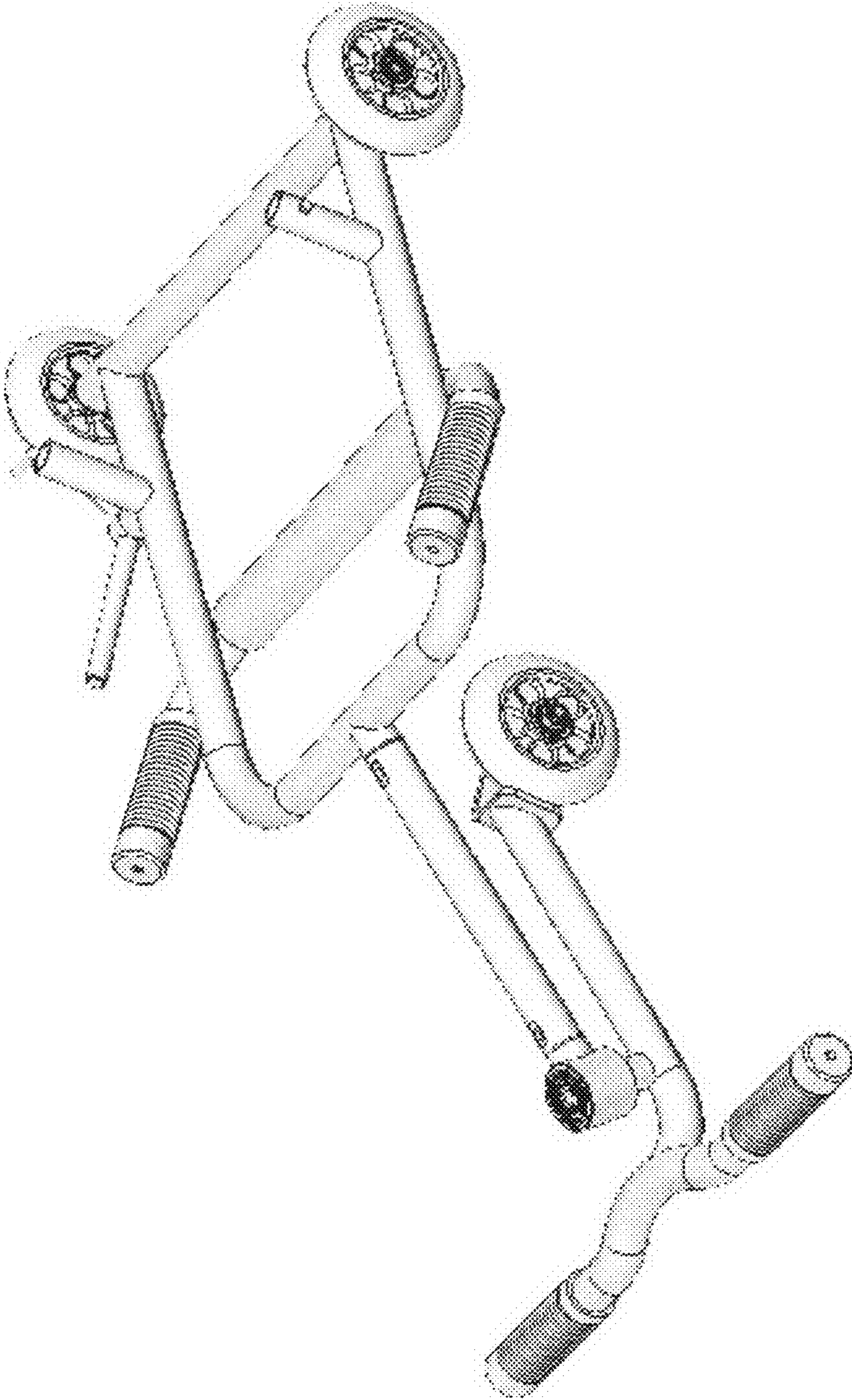


Fig. 2

Fig. 3

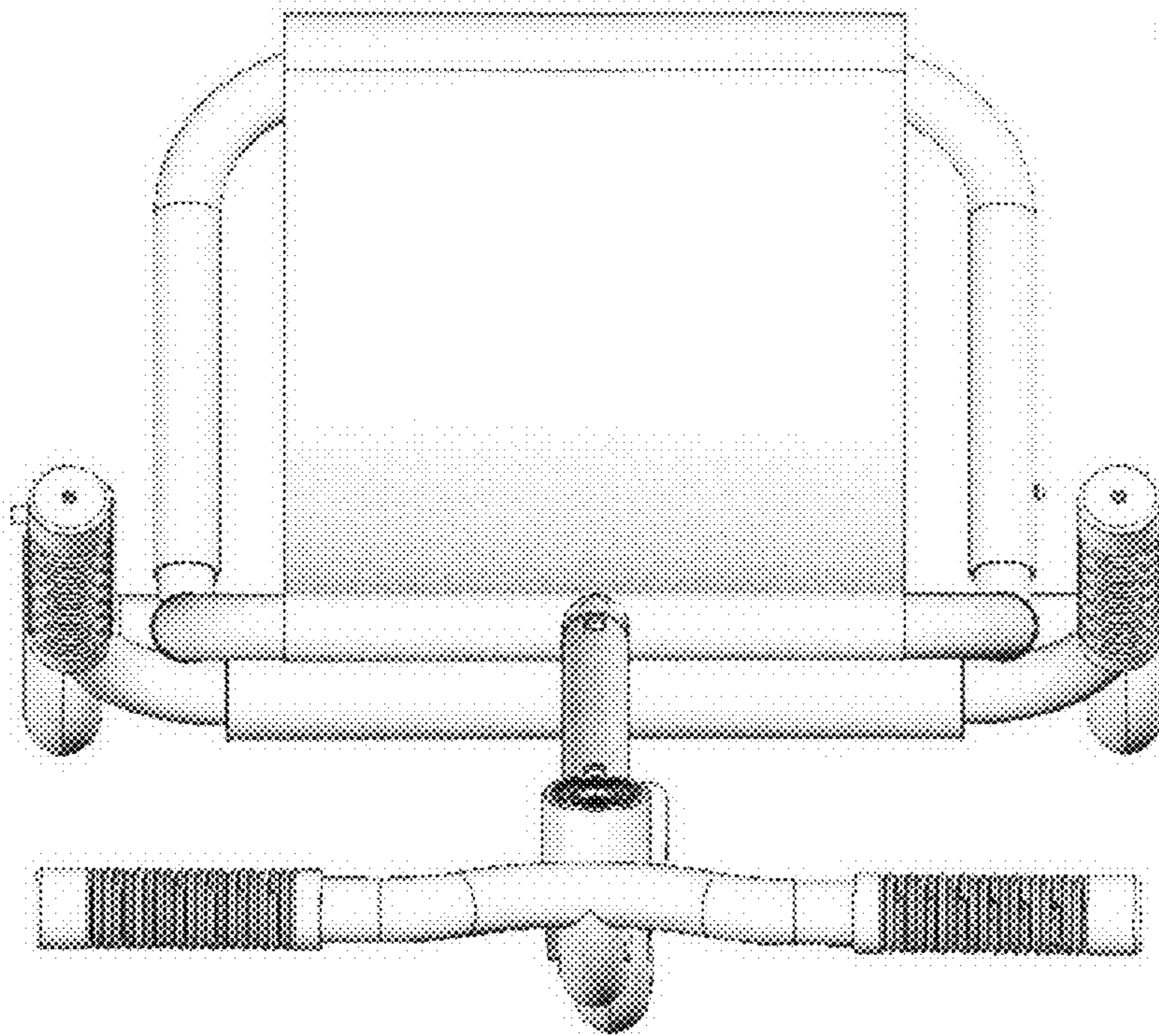
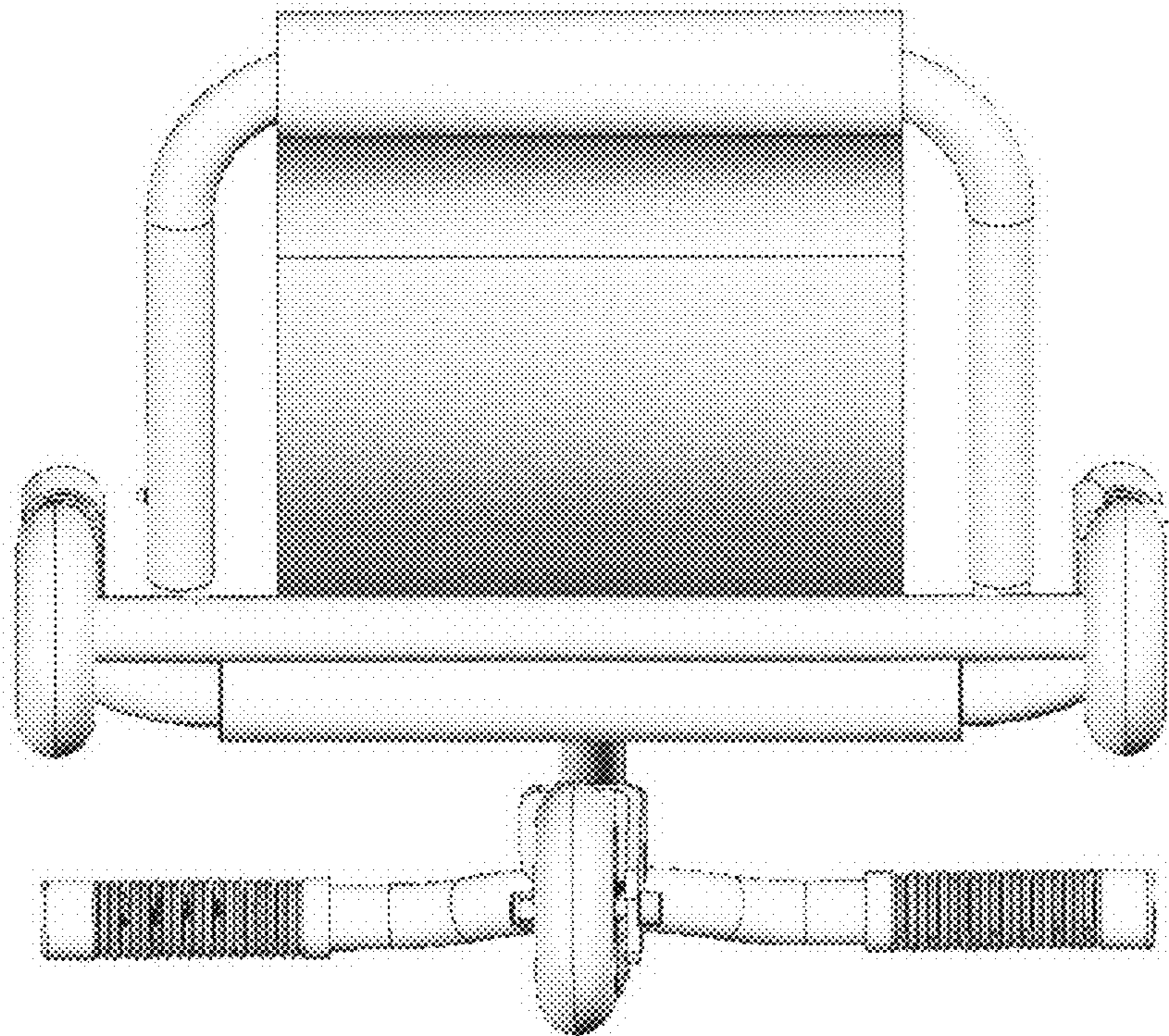


Fig. 4



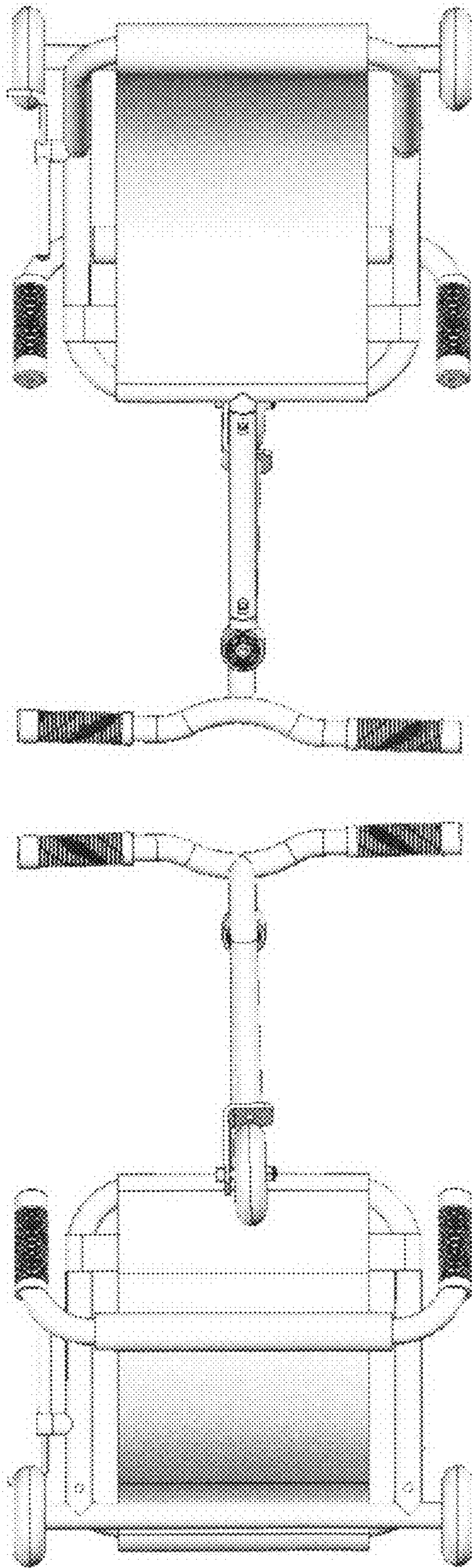


Fig. 5

Fig. 6

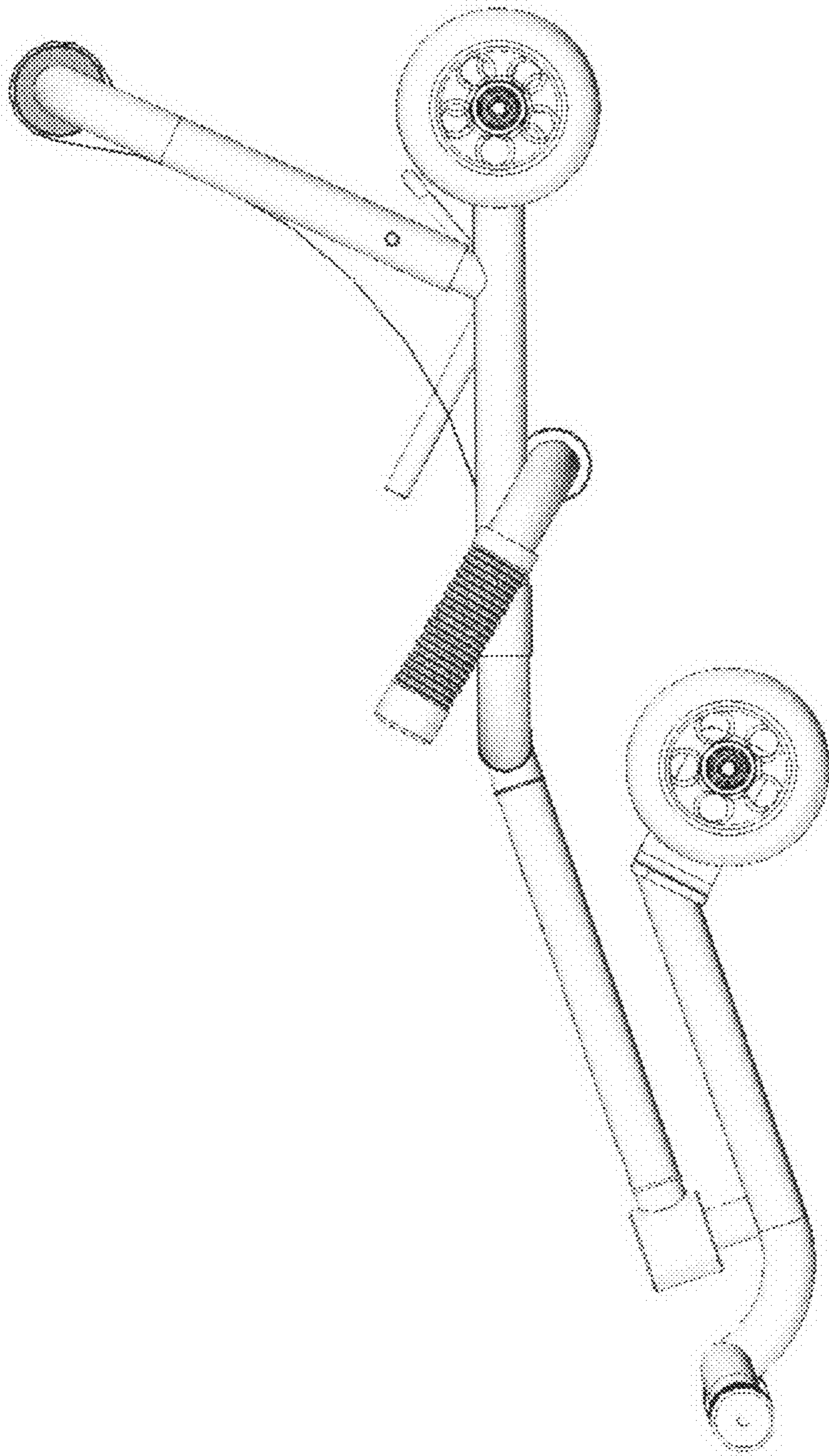


Fig. 7

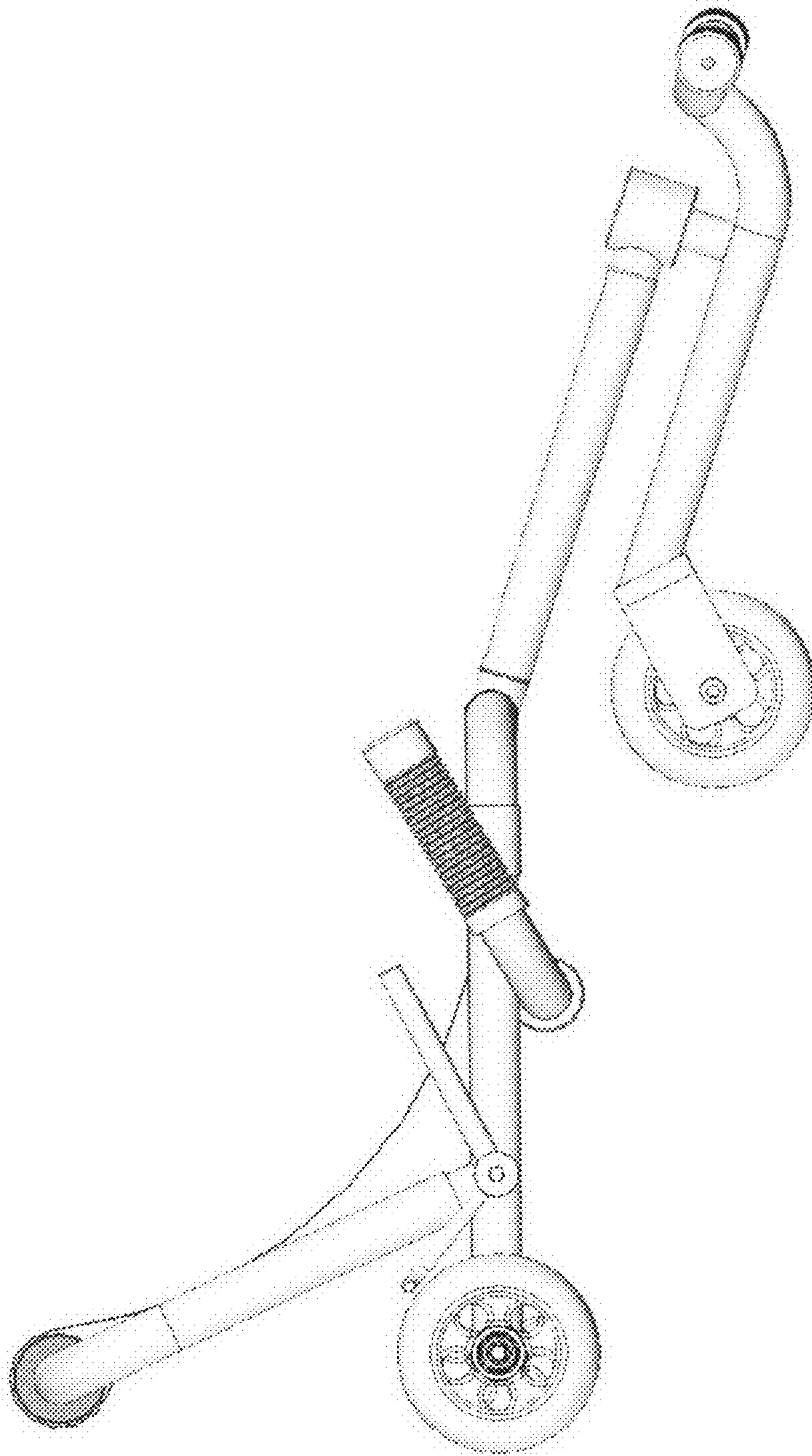


Fig. 8

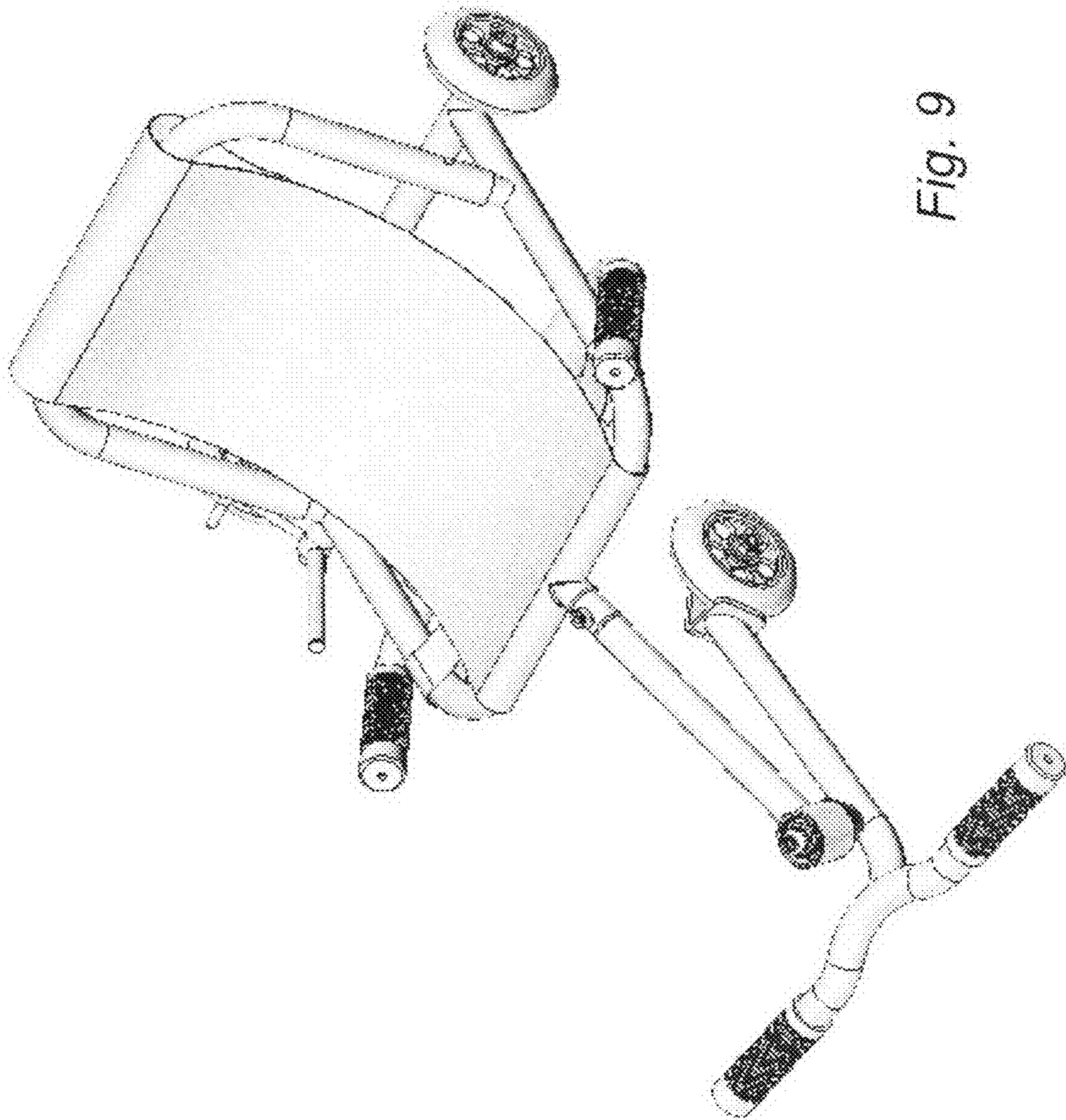


Fig. 9

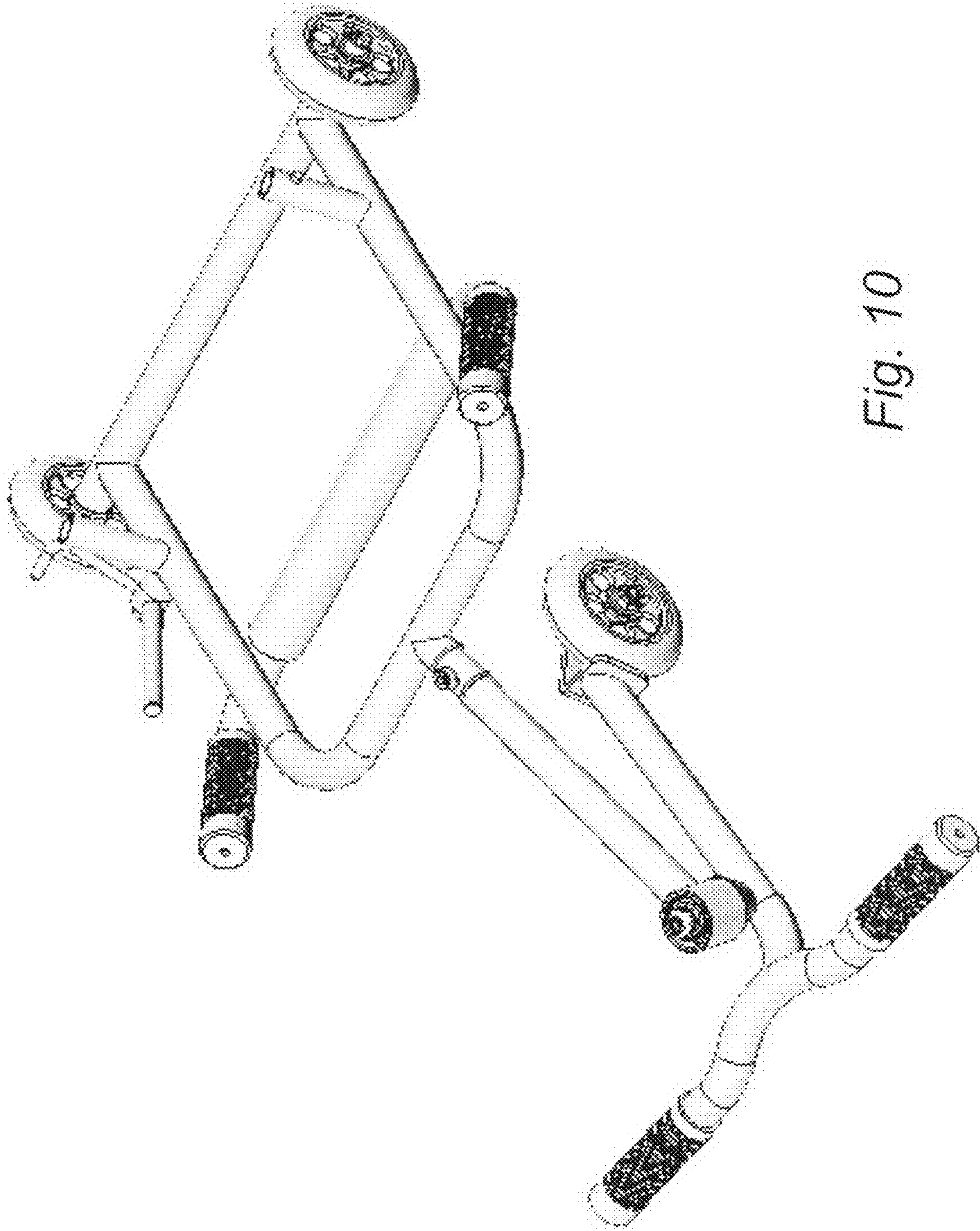


Fig. 10

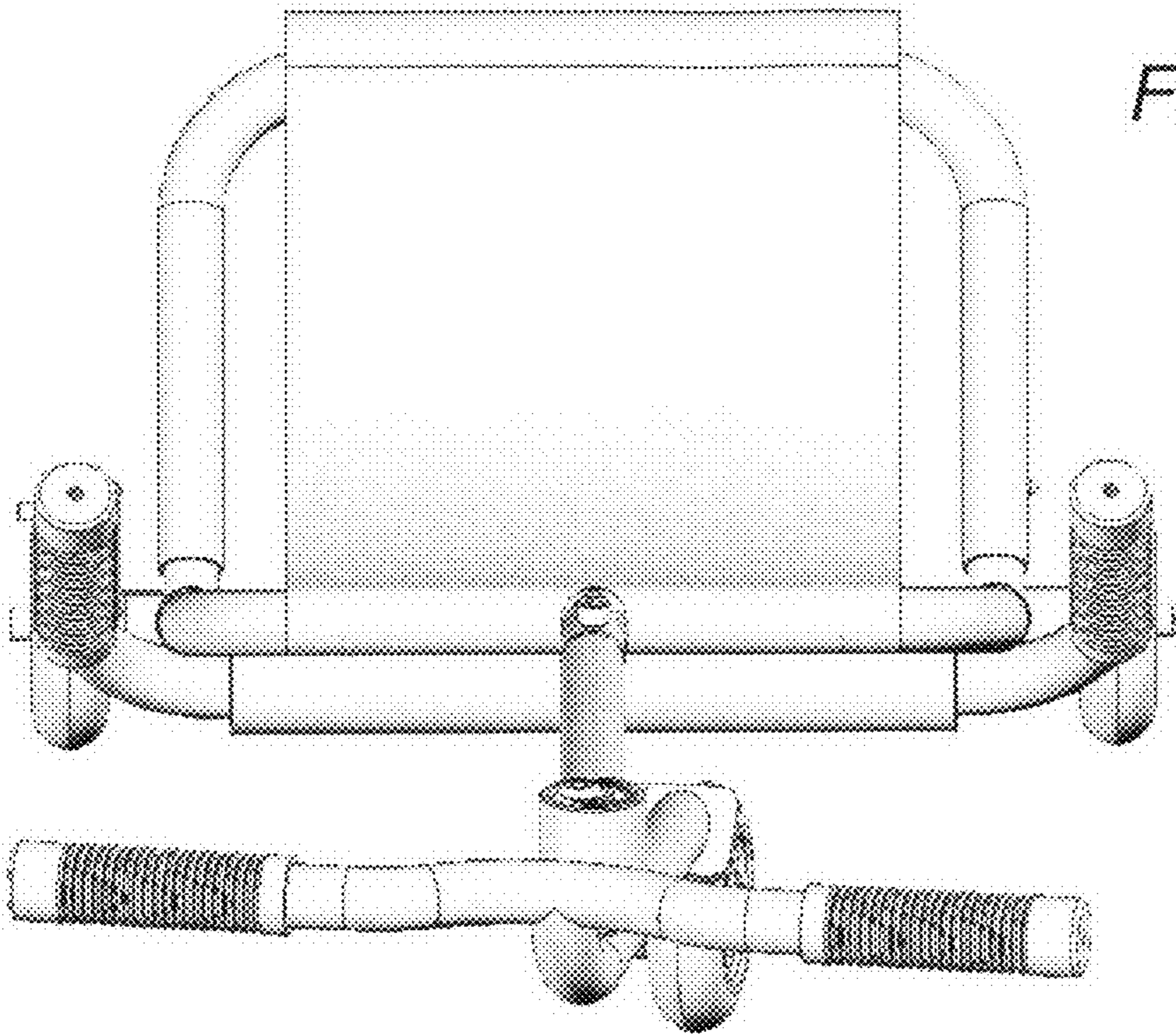


Fig. 11

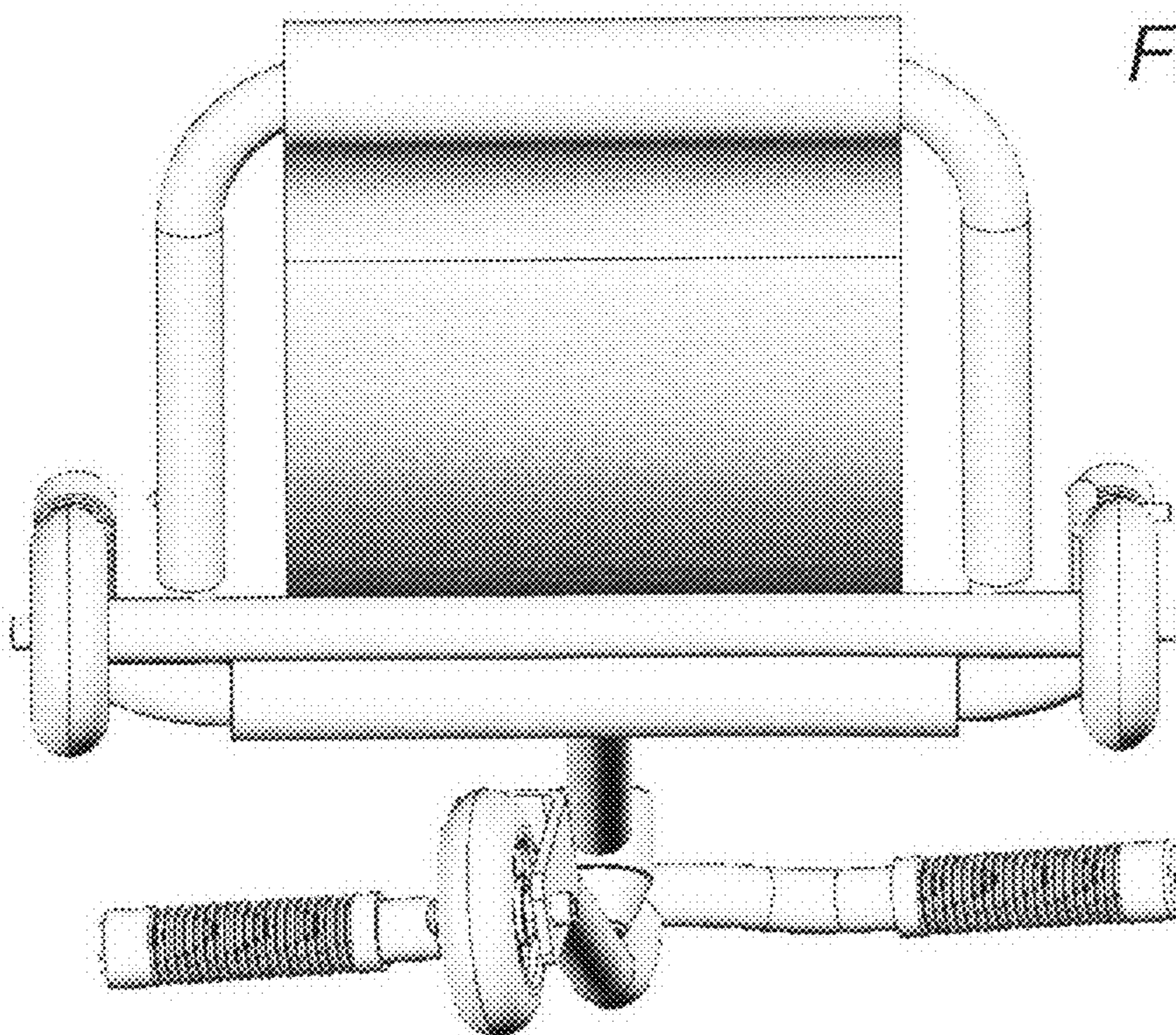


Fig. 12

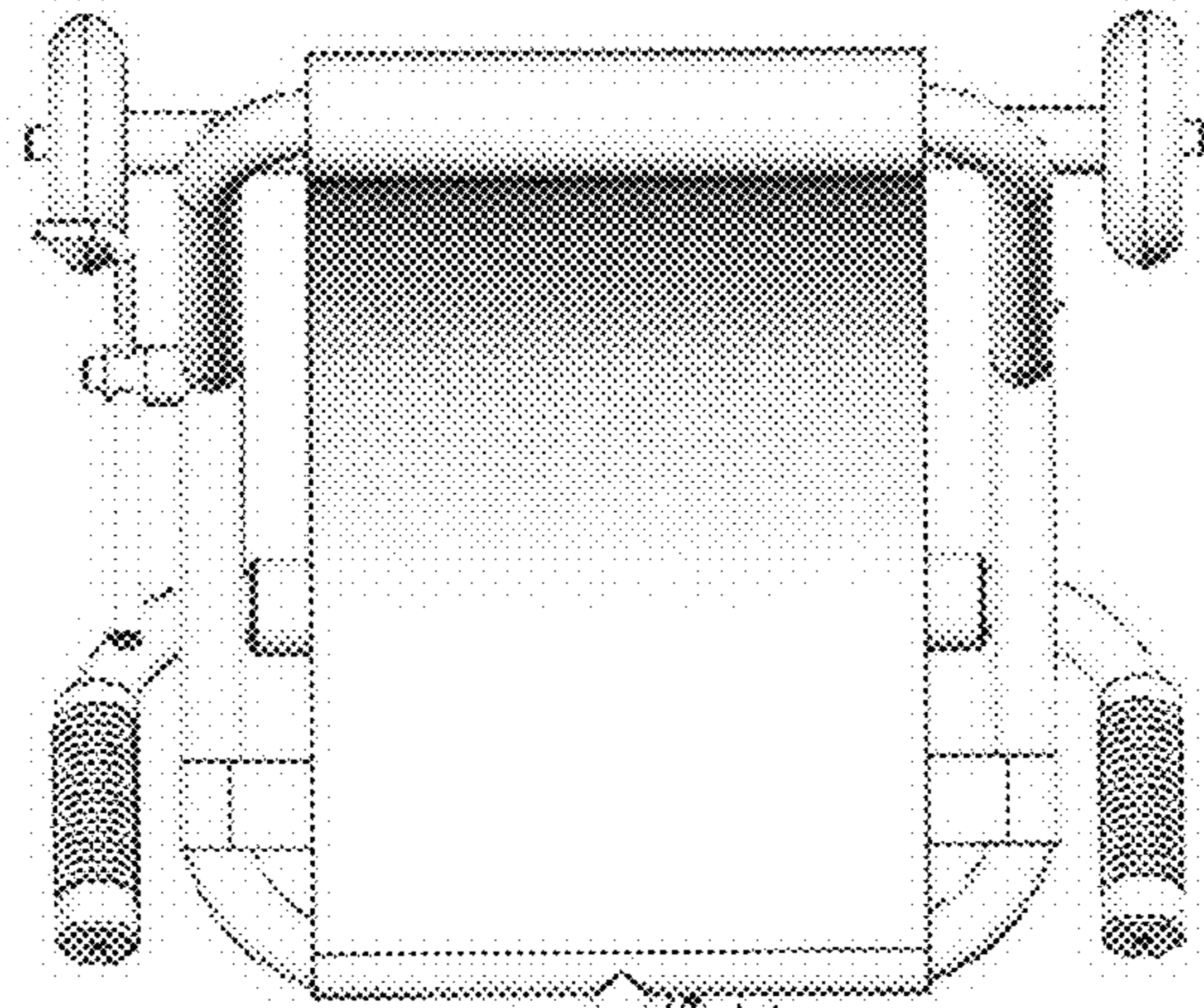


Fig. 13

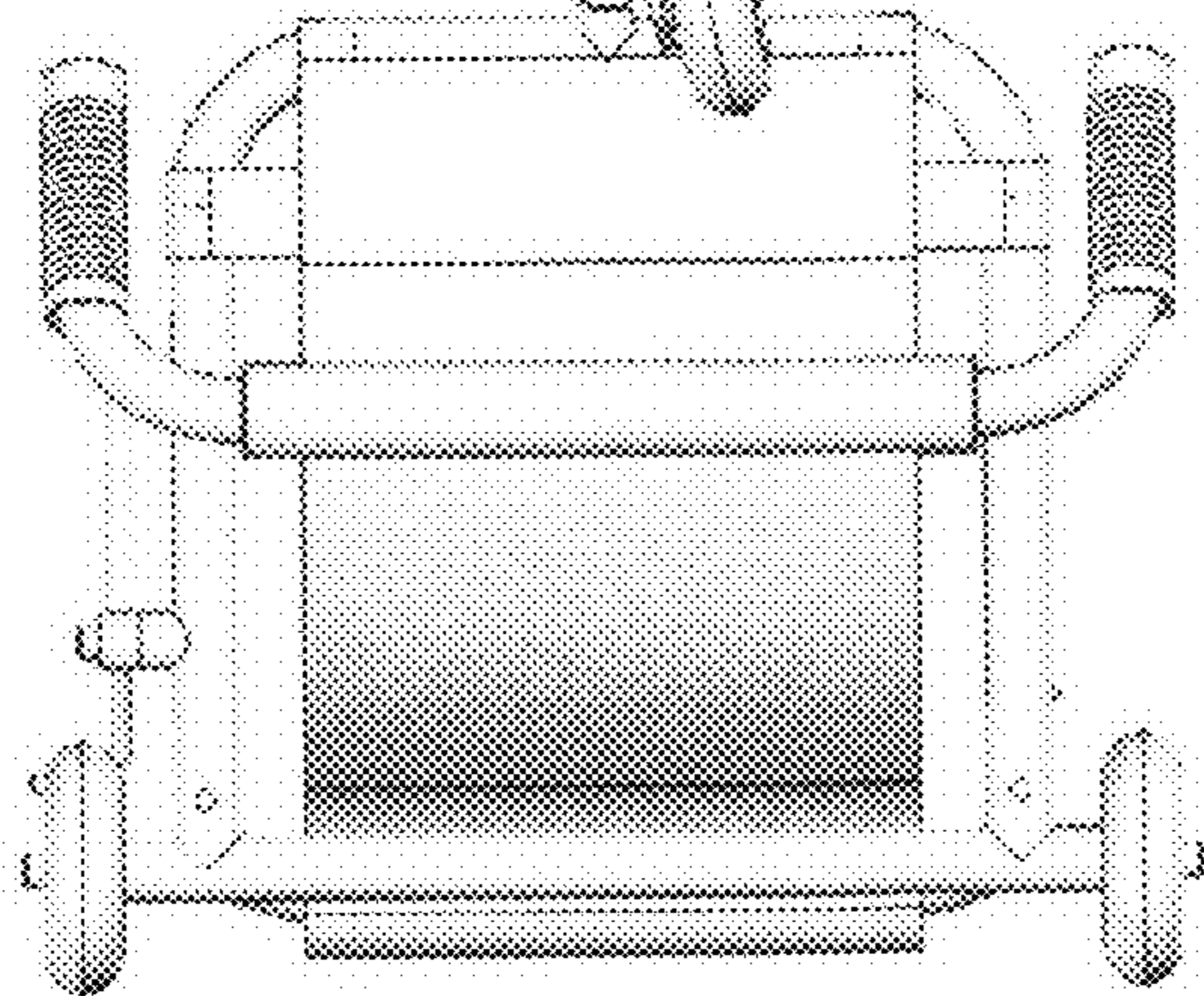
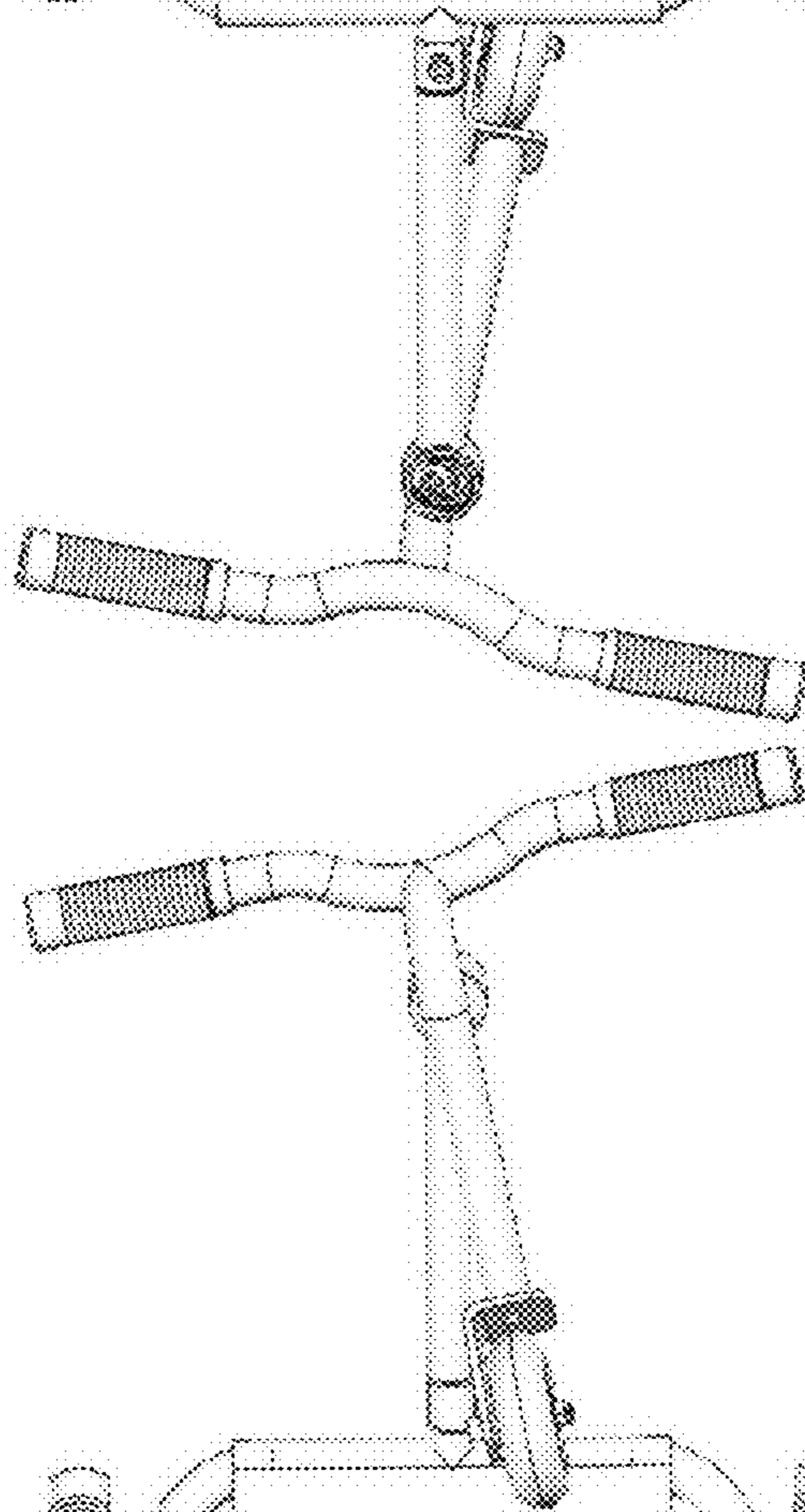


Fig. 14

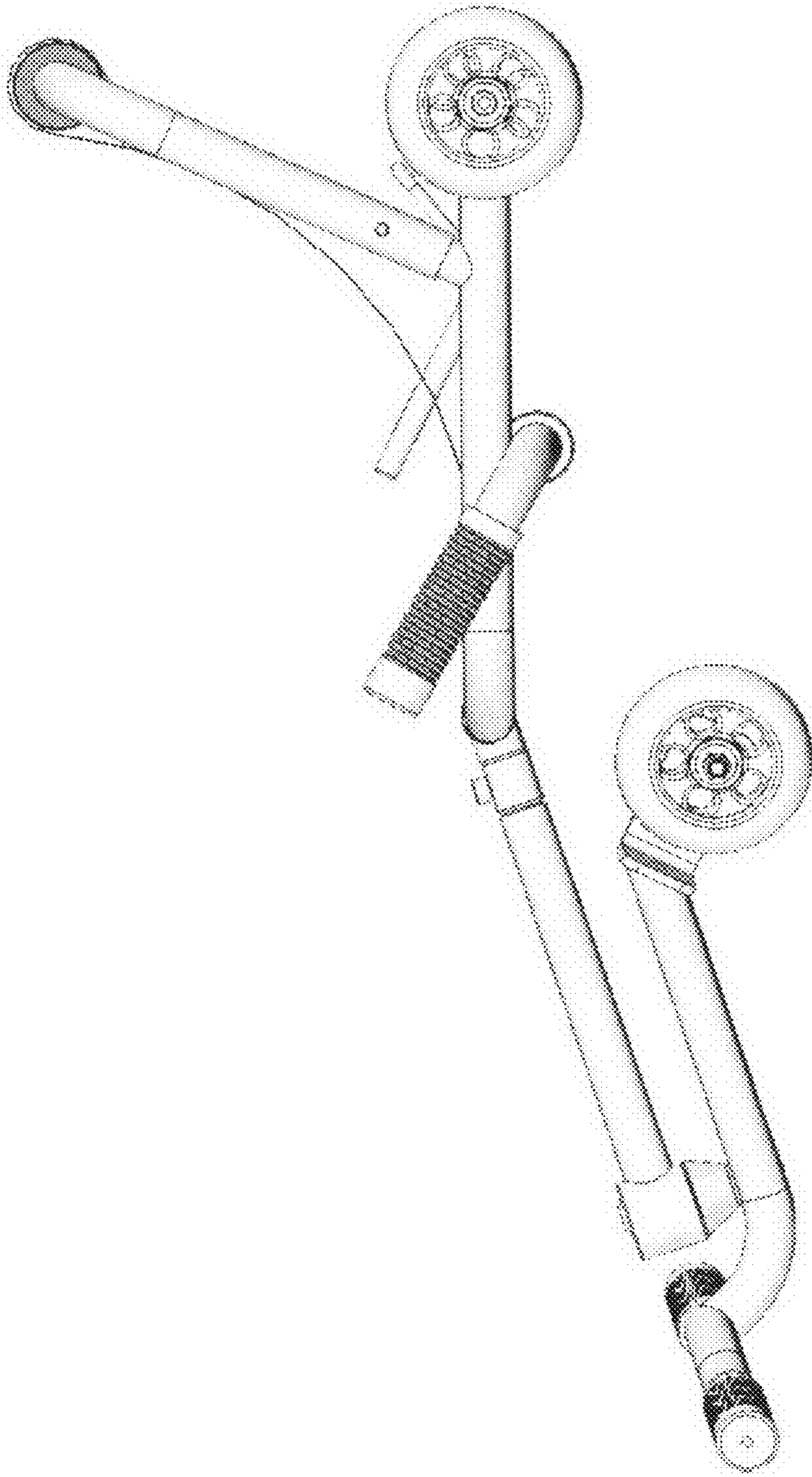


Fig. 15

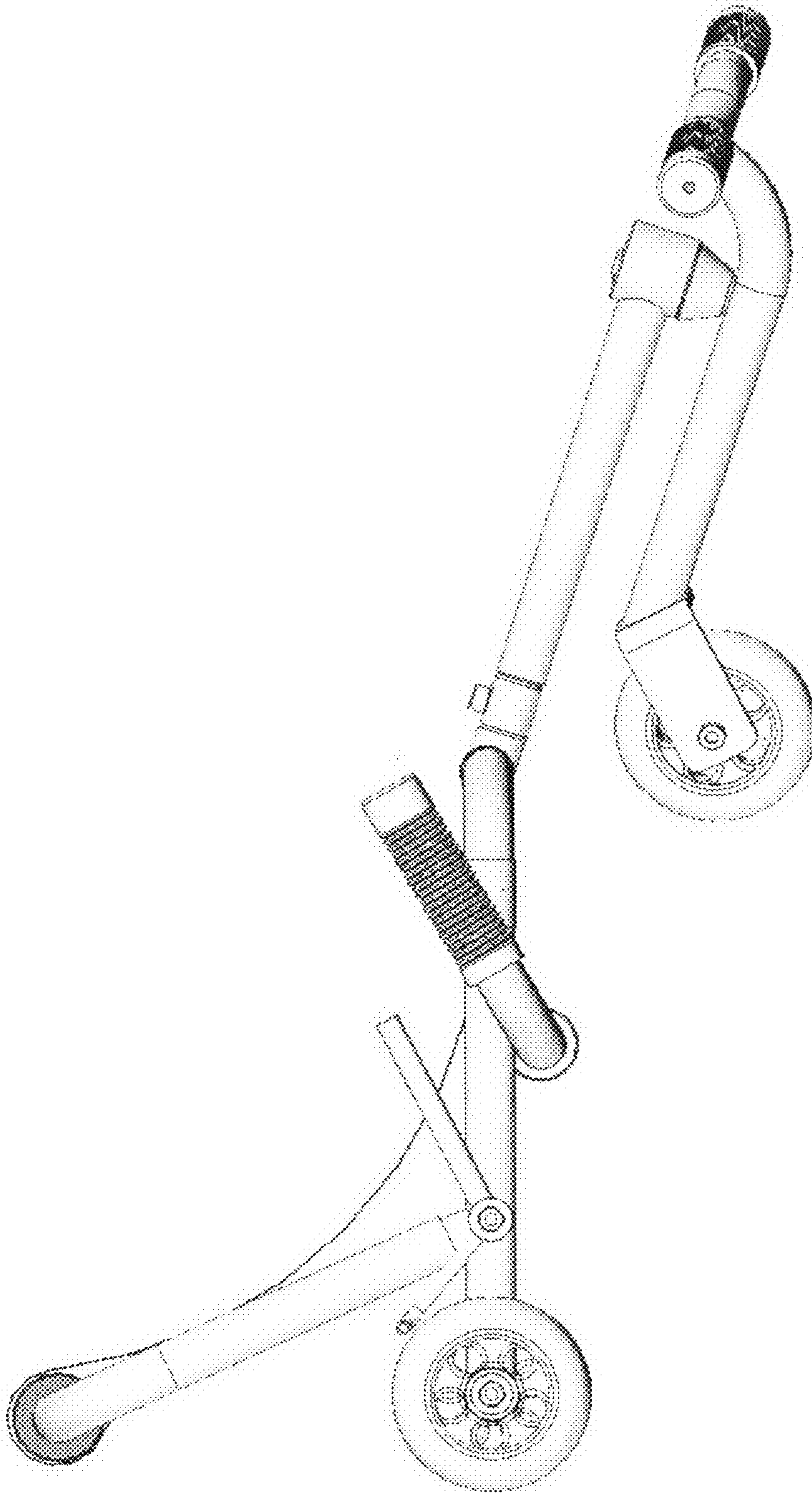


Fig. 16