



US00D582987S

(12) **United States Design Patent**  
**Marmier**

(10) **Patent No.:** **US D582,987 S**

(45) **Date of Patent:** **\*\* Dec. 16, 2008**

(54) **DISPLAY LABEL**

(75) Inventor: **Yves Marmier**, La Chaux-de-Fonds (CH)

(73) Assignee: **Mettler-Toledo AG**, Greifensee (CH)

(\*\*) Term: **14 Years**

(21) Appl. No.: **29/278,008**

(22) Filed: **Mar. 16, 2007**

(30) **Foreign Application Priority Data**

Sep. 20, 2006 (EM) ..... 000591748

(51) **LOC (8) Cl.** ..... **19-08**

(52) **U.S. Cl.** ..... **D20/22; D20/27**

(58) **Field of Classification Search** ..... D20/10,  
D20/11, 13, 22-24, 27, 28, 40, 43, 99; 40/27.5,  
40/124.01, 124.02, 124.04, 299.01, 325,  
40/326, 360, 538, 541, 584, 594, 600, 630,  
40/638; D9/432, 456; D14/126; D19/9,  
D19/10; D24/188; 283/56, 71, 81; 428/40.1,  
428/40.2, 42.3, 64.1, 78, 914  
See application file for complete search history.

(56) **References Cited**

**U.S. PATENT DOCUMENTS**

- 1,465,499 A \* 8/1923 Thomson ..... 40/360
- D104,201 S \* 4/1937 Spencer ..... D20/40
- D104,202 S \* 4/1937 Spencer ..... D20/40
- D415,486 S \* 10/1999 Lee et al. .... D14/126
- D511,547 S \* 11/2005 Andersson et al. .... D20/43
- D536,739 S \* 2/2007 Kenton ..... D20/40
- D553,986 S \* 10/2007 Berger ..... D9/456

D569,423 S \* 5/2008 Lasch et al. .... D19/9  
2005/0106349 A1 \* 5/2005 Bonifield ..... 428/40.1

\* cited by examiner

*Primary Examiner*—Janice E Seeger

*Assistant Examiner*—Mary Ann Calabrese

(74) *Attorney, Agent, or Firm*—Standley Law Group LLP

(57) **CLAIM**

The ornamental design for a display label, as shown and described.

**DESCRIPTION**

FIG. 1 is a top plan view of a first embodiment of a display label, with broken lines indicating boundaries of the claimed design and not forming a part thereof;

FIG. 2 is a top plan view of the display label of FIG. 1 shown in an alternate environment, with broken lines also indicating boundaries of the claimed design;

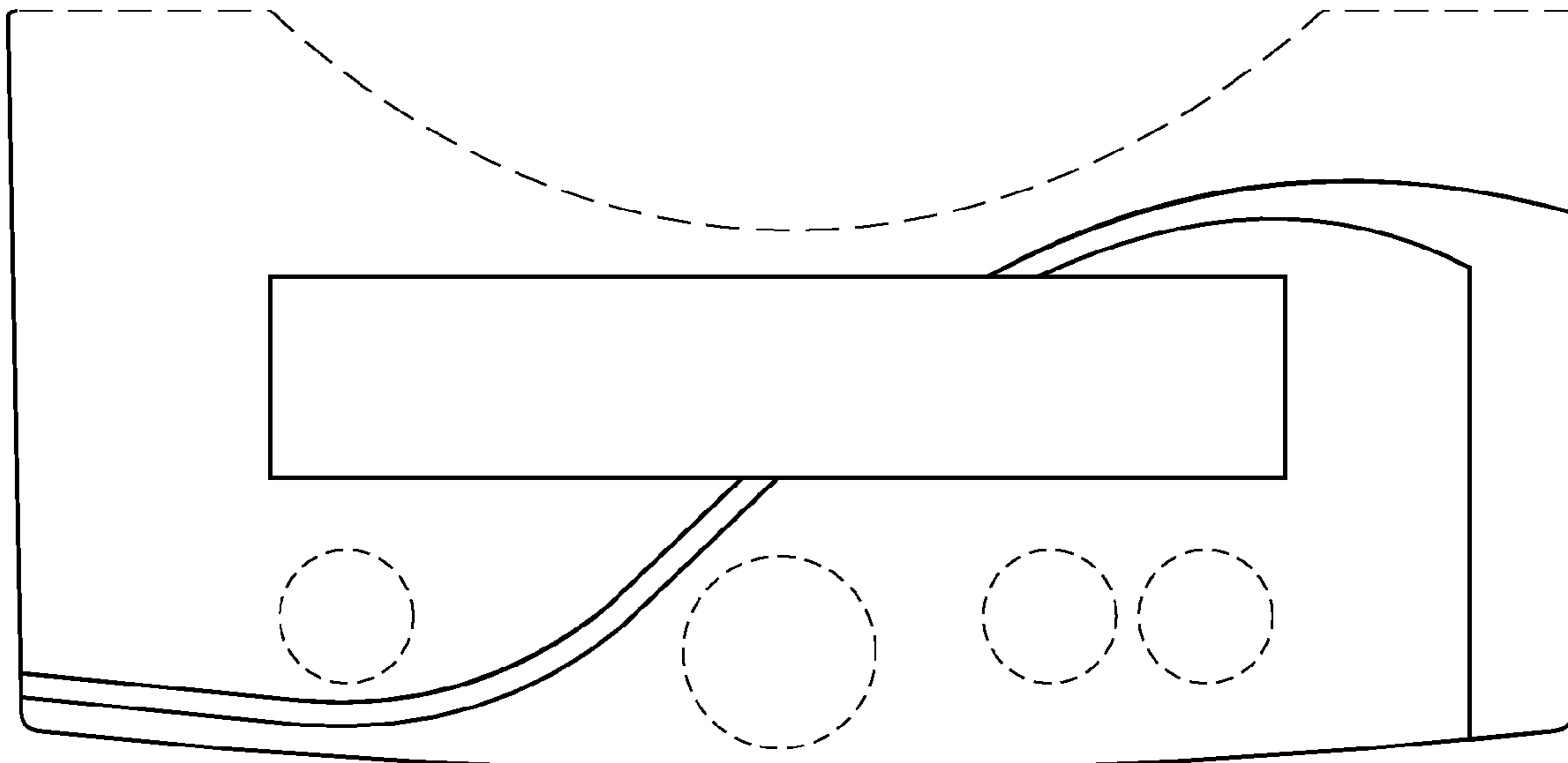
FIG. 3 is a top plan view of a second embodiment of a display label, with broken lines indicating boundaries of the claimed design and not forming a part thereof;

FIG. 4 is a top plan view of the display label of FIG. 3 shown in an alternate environment, with broken lines also indicating boundaries of the claimed design;

FIG. 5 is a perspective view of a scale, showing the first embodiment display label positioned on the scale, which is shown in broken lines to illustrate the environment; and,

FIG. 6 is a perspective view of a scale, showing the second embodiment display label positioned on the scale, which is shown in broken lines to illustrate the environment.

**1 Claim, 4 Drawing Sheets**



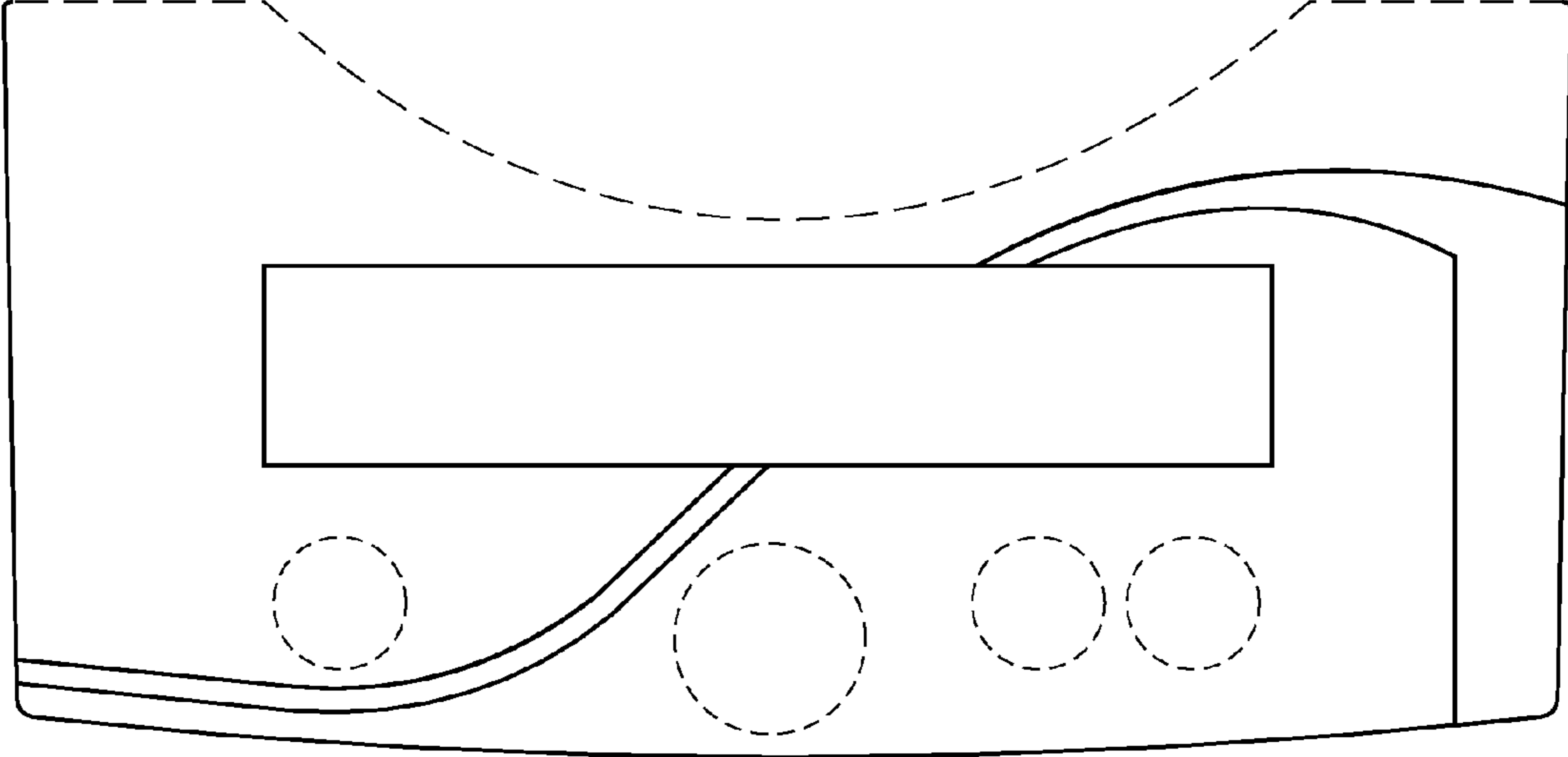


FIG. 1

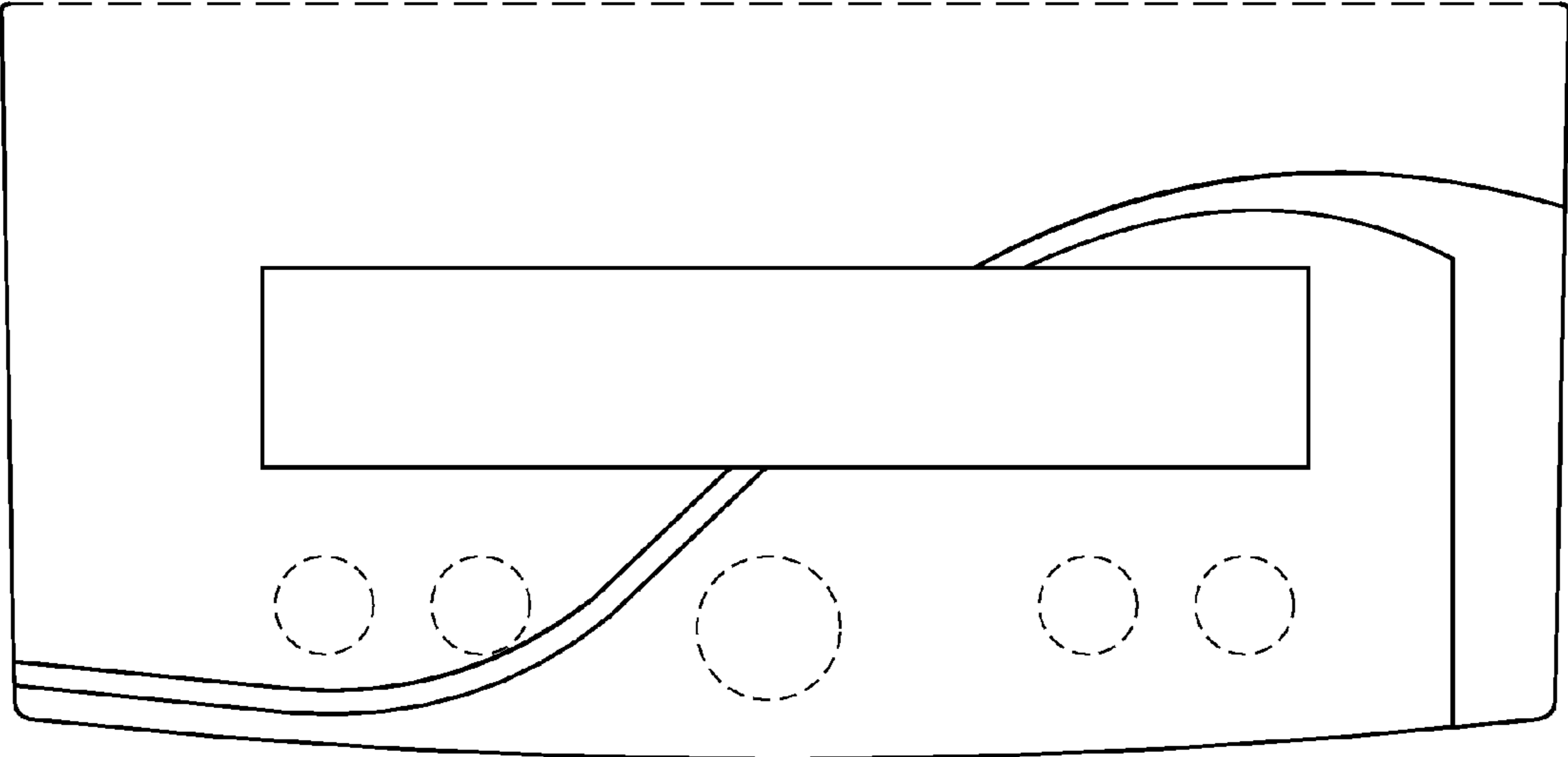


FIG. 2

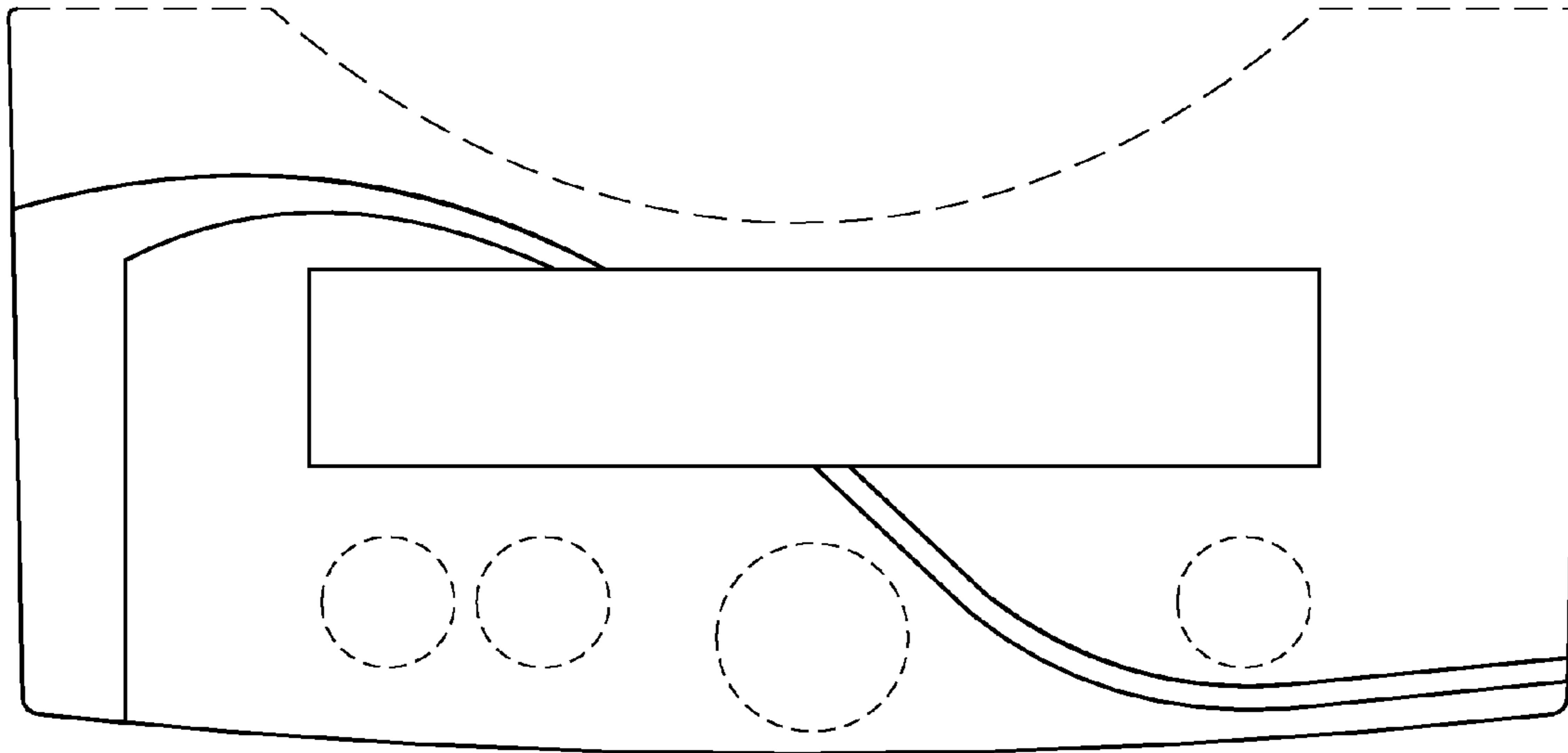


FIG. 3

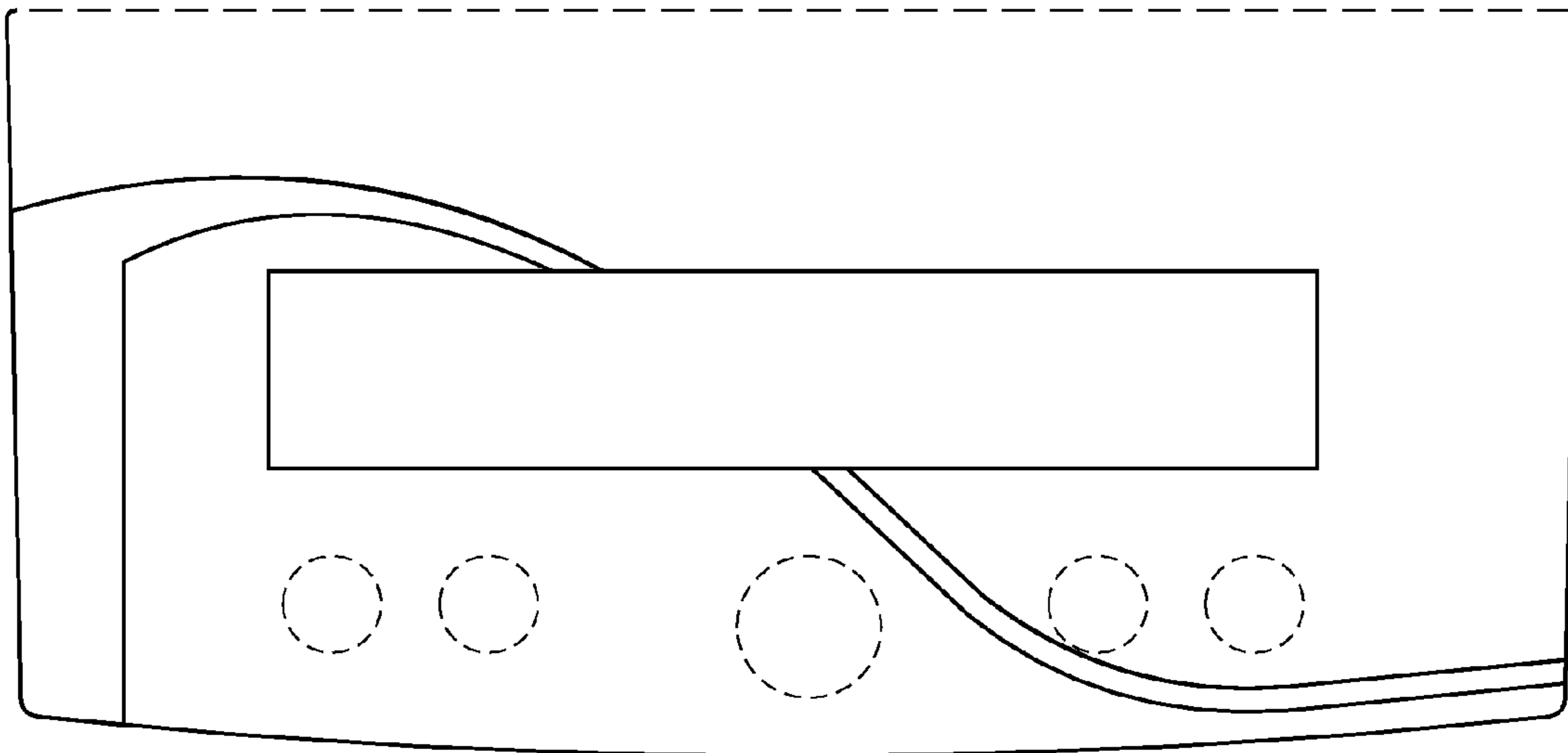


FIG. 4

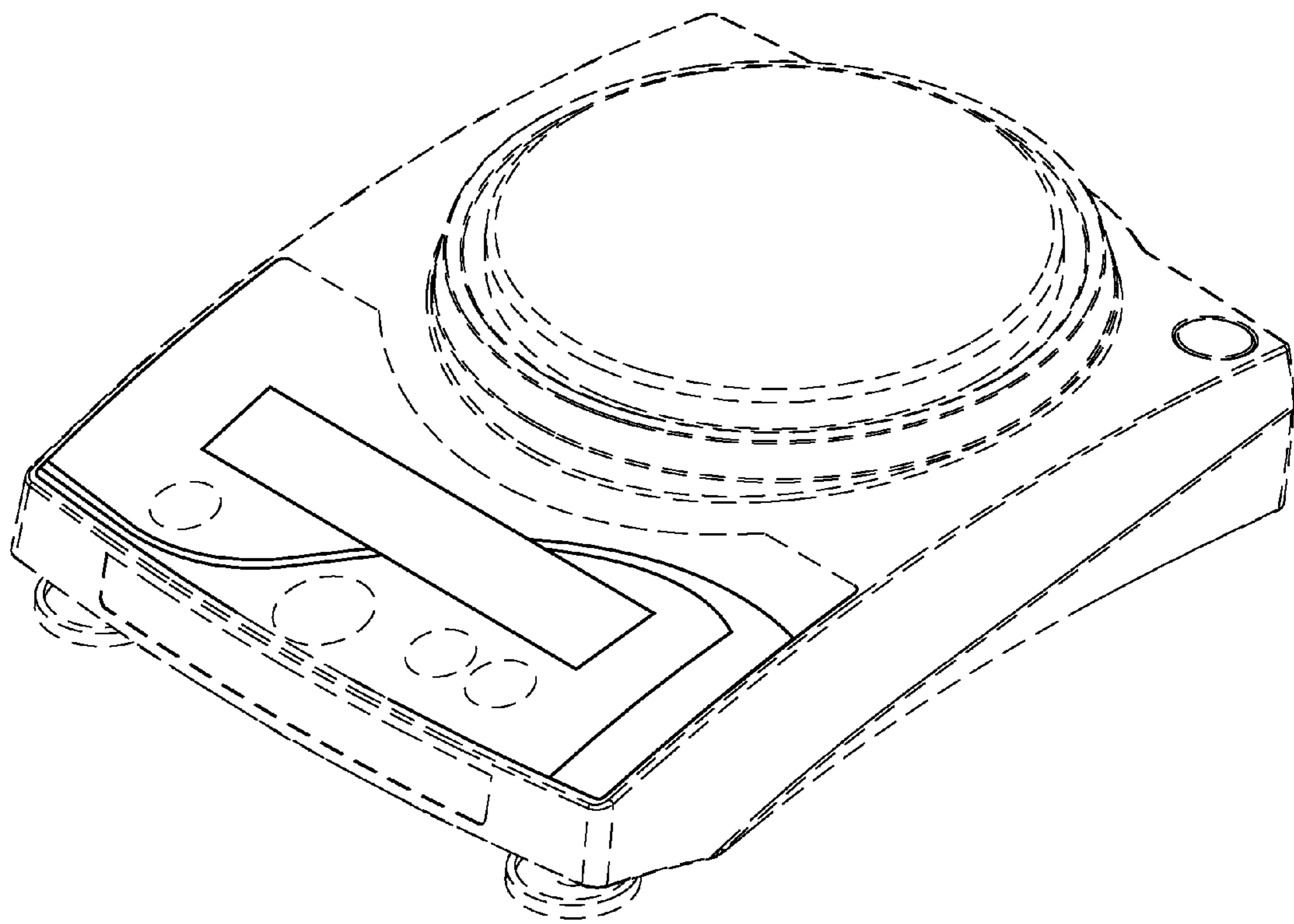


FIG. 5

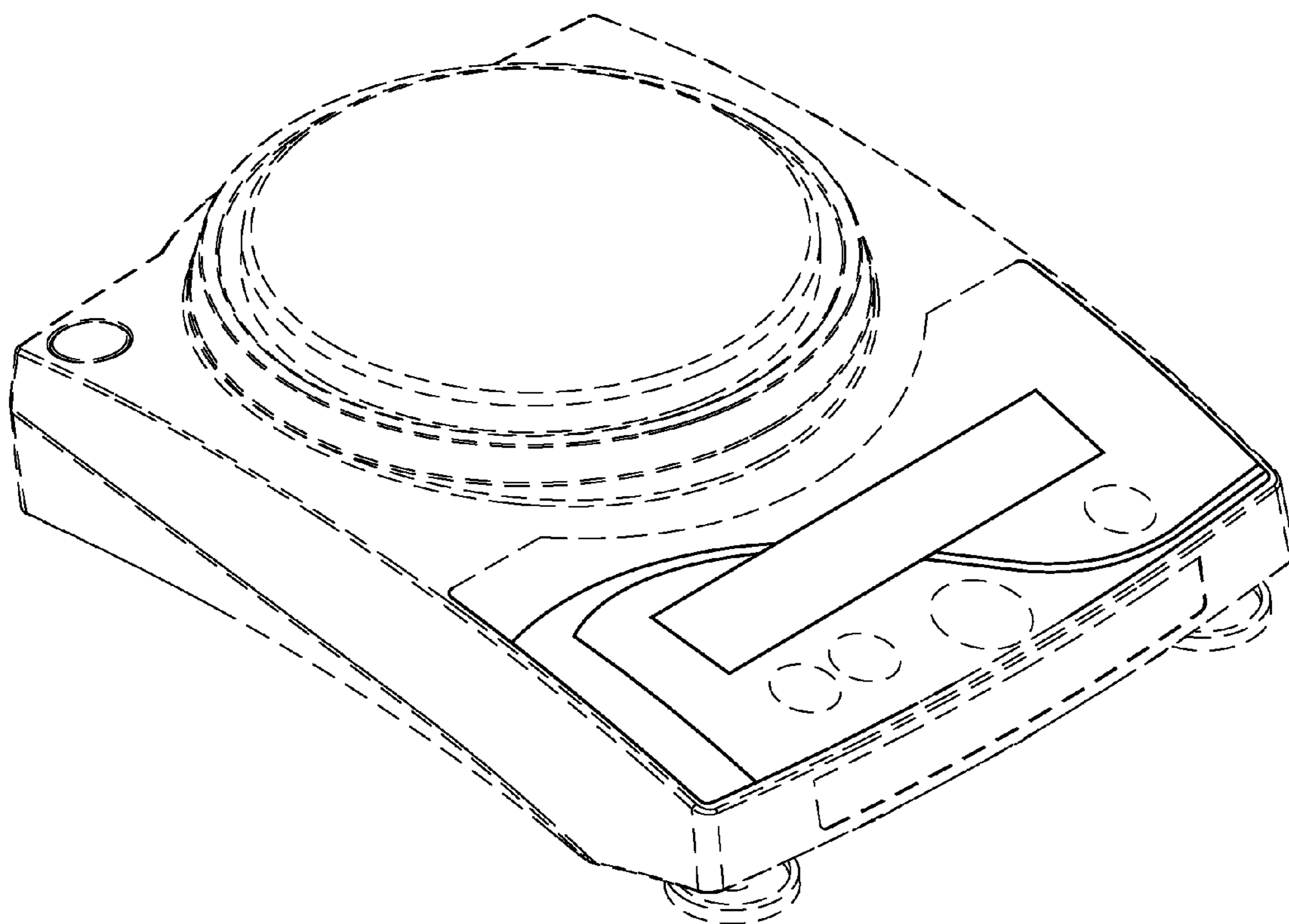


FIG. 6