



US00D582986S

(12) **United States Design Patent**
Sanchez

(10) **Patent No.:** **US D582,986 S**

(45) **Date of Patent:** **** Dec. 16, 2008**

(54) **COMBINED VENDOR AND ADVERTISING INTERCOM AND DISPLAY**

(76) Inventor: **Edwin Sanchez**, 170 E. Broadway, Atwater, CA (US) 95349

(**) Term: **14 Years**

(21) Appl. No.: **29/293,684**

(22) Filed: **Dec. 6, 2007**

(51) **LOC (8) Cl.** **20-02**

(52) **U.S. Cl.** **D20/19; D20/41; D14/159**

(58) **Field of Classification Search** D20/10, D20/17, 19, 20, 41-43, 99; 40/538, 541, 40/584, 606.01, 606.14-606.16, 606.18, 40/607.01, 607.03-607.05, 607.1, 607.13, 40/608, 611.06, 651; D14/159; 345/2.3; 452/198

See application file for complete search history.

(56) **References Cited**

U.S. PATENT DOCUMENTS

- 641,522 A * 1/1900 Leger 40/651
- 1,646,414 A * 10/1927 Marton 40/611.06
- 1,804,770 A * 5/1931 Hershfield 40/607.13
- 2,305,656 A 12/1942 Yopp
- 2,690,552 A 9/1954 Kiiibus
- 4,250,491 A 2/1981 Dotson
- 4,329,800 A * 5/1982 Shuman 40/606.14
- 4,777,750 A * 10/1988 Garfinkle 40/607.04
- 5,124,683 A 6/1992 Brunner

- D342,549 S * 12/1993 Hofman D20/41
- 5,283,595 A * 2/1994 Krukovsky 345/2.3
- 5,489,887 A 2/1996 Porras
- 5,575,713 A * 11/1996 Benoit et al. 452/198
- 6,164,796 A 12/2000 La Chiusa
- 2004/0090004 A1 5/2004 Dreaper et al.
- 2004/0103570 A1 6/2004 Ruttenberg
- 2006/0277805 A1 12/2006 Kopera et al.
- 2008/0028652 A1 * 2/2008 Makhija et al. 40/606.15
- 2008/0034631 A1 * 2/2008 Kim et al. 40/607.04

* cited by examiner

Primary Examiner—Caron Veynar

Assistant Examiner—Mary Ann Calabrese

(74) *Attorney, Agent, or Firm*—Mark D. Miller

(57) **CLAIM**

I claim the ornamental design for a combined vendor and advertising intercom and display, as shown and described.

DESCRIPTION

FIG. 1 is a front perspective view of a combined vendor and advertising intercom and display showing my new design;

FIG. 2 is a front elevational view thereof;

FIG. 3 is a left side elevational view thereof;

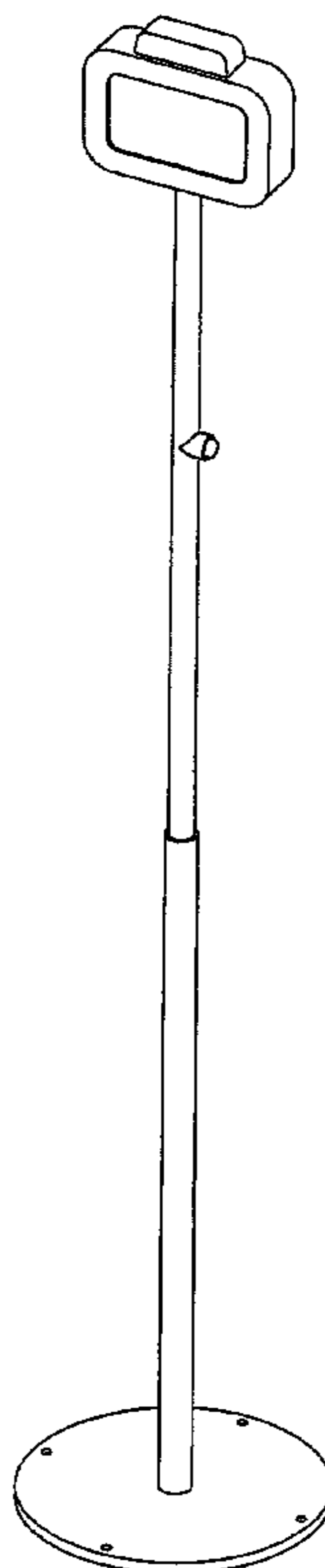
FIG. 4 is a rear elevational view thereof;

FIG. 5 is a right side elevational view thereof;

FIG. 6 is an enlarged bottom plan view thereof; and,

FIG. 7 is a top plan thereof.

1 Claim, 3 Drawing Sheets



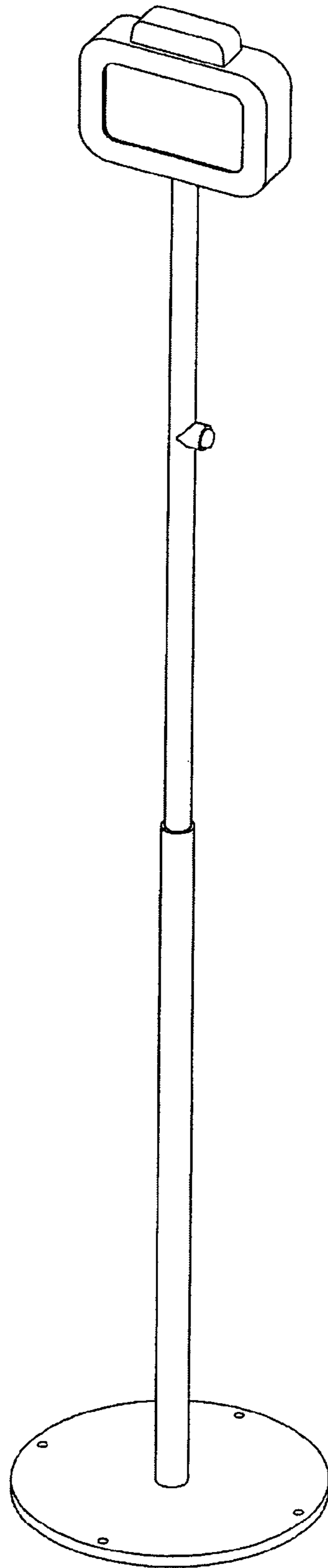


FIG. 1

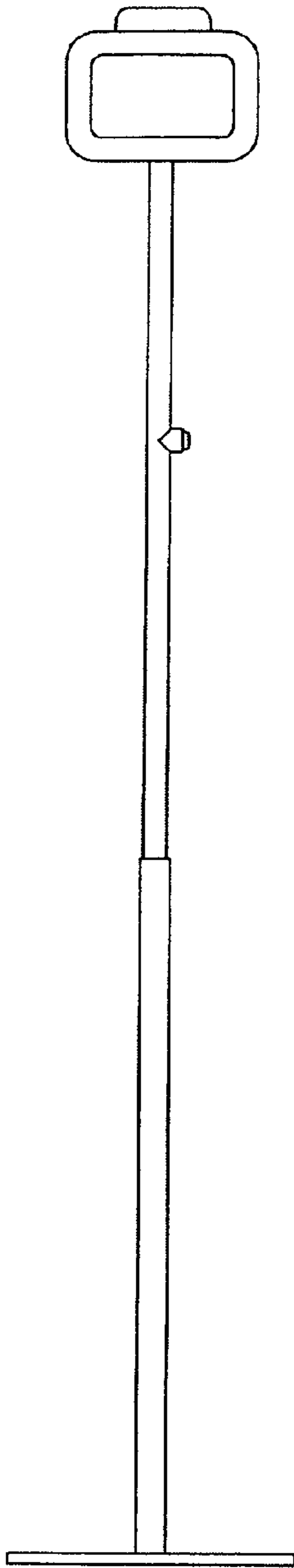


FIG. 2

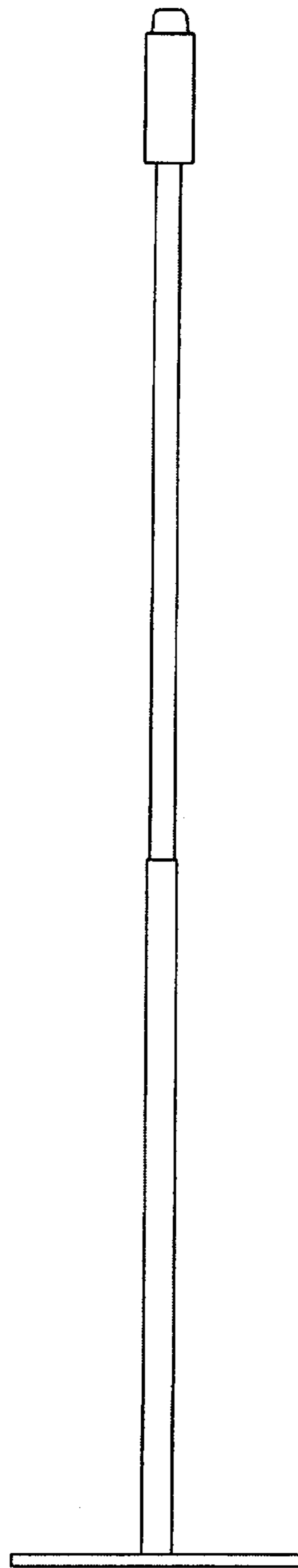


FIG. 3

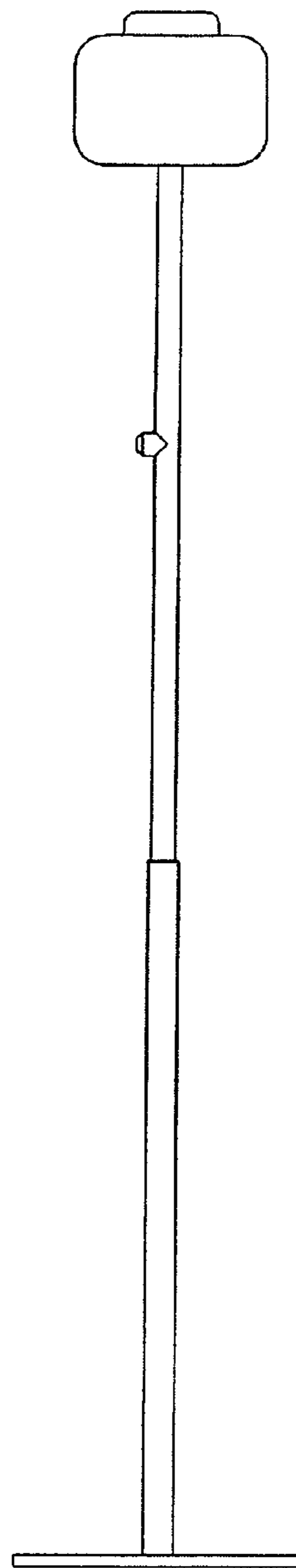


FIG. 4

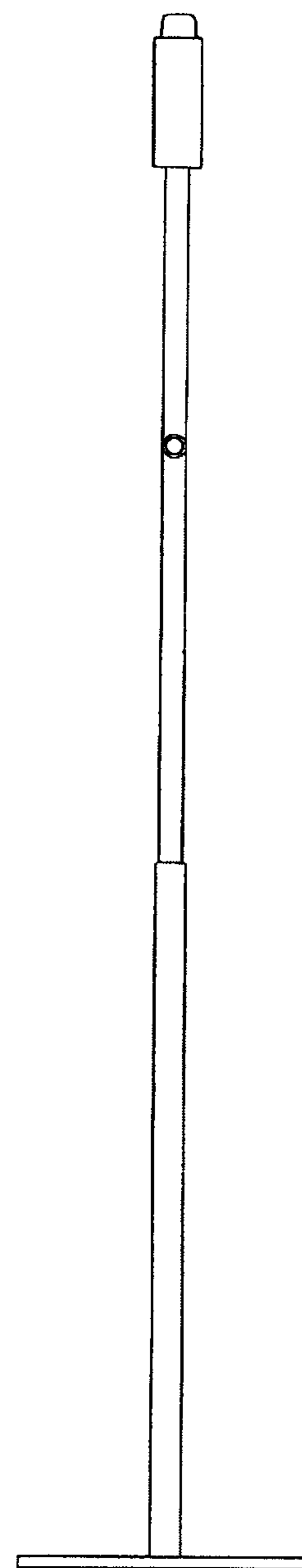


FIG. 5

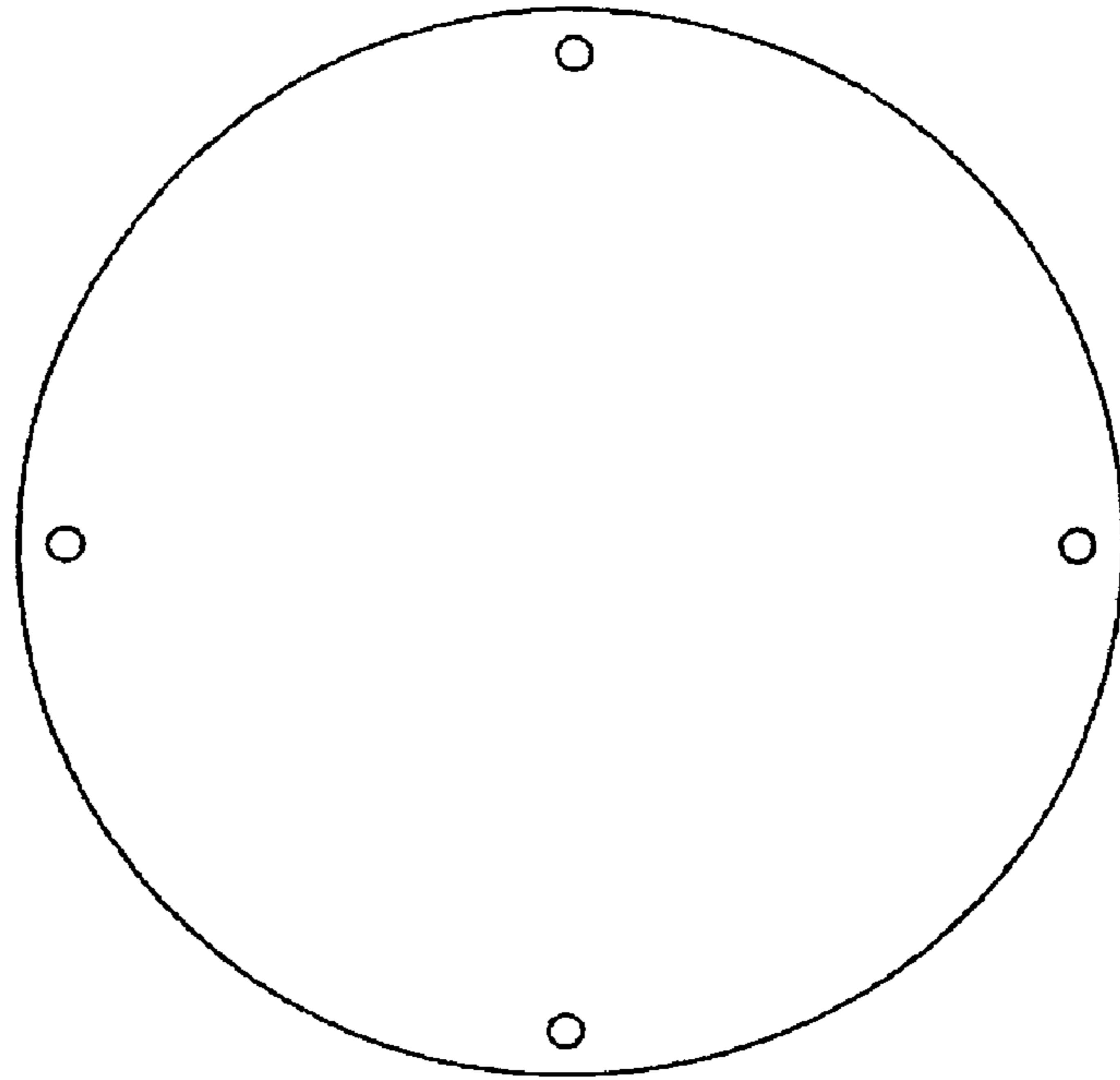


FIG. 6

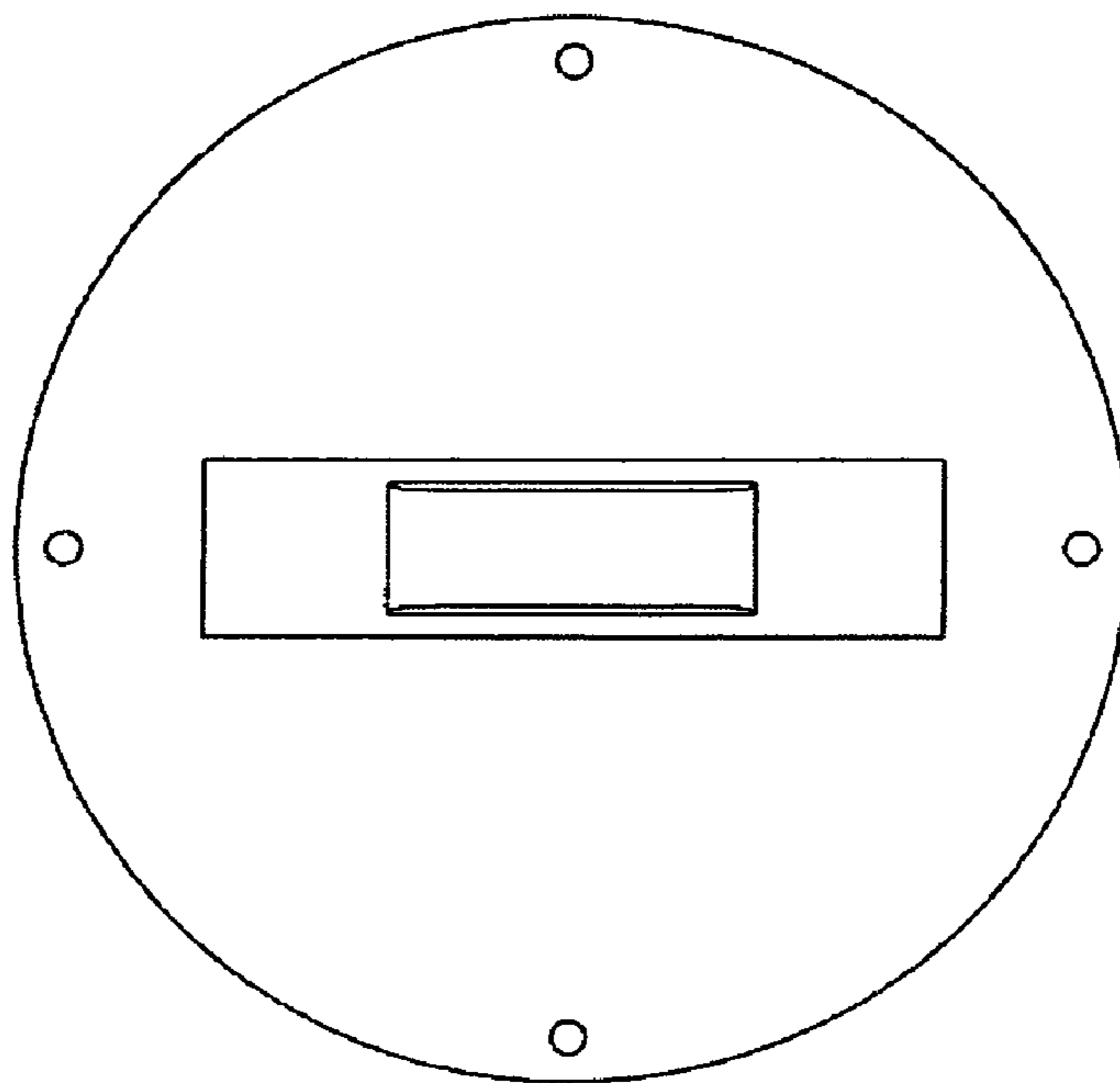


FIG. 7