



US00D582984S

(12) **United States Design Patent**
Mininger et al.

(10) **Patent No.:** **US D582,984 S**

(45) **Date of Patent:** **** Dec. 16, 2008**

(54) **ADVERTISING AND IMAGE DISPLAY
DEVICE**

5,979,976 A * 11/1999 Ferencik 297/16.1
D486,964 S * 2/2004 Prince et al. D6/310
D519,161 S * 4/2006 Miller D20/43

(75) Inventors: **Staci A. Mininger**, Dallas, TX (US);
Timothy W. Terleski, Garland, TX (US)

* cited by examiner

Primary Examiner—Janice E. Seeger
Assistant Examiner—Mary Ann Calabrese

(73) Assignee: **TXS Industrial Design, Inc.**,
Richardson, TX (US)

(57) **CLAIM**

(**) Term: **14 Years**

The ornamental design for an advertising and image display device, as shown and described.

(21) Appl. No.: **29/263,865**

(22) Filed: **Jul. 31, 2006**

DESCRIPTION

(51) **LOC (8) Cl.** **20-02**

FIG. 1 is an orthogonal view illustrating an advertising and image display device in accordance with the present invention;

(52) **U.S. Cl.** **D20/10**

(58) **Field of Classification Search** D20/10,
D20/19, 39, 41-43, 99; 40/1, 406, 446, 538,
40/541, 584, 642.02, 651, 661, 661.05, 662;
283/56; 362/812; D16/221, 224, 225; D8/71,
D8/373, 394, 395; D6/310, 450, 466, 469,
D6/512, 552; D19/61, 62; 211/13.1, 14;
297/16.1; 248/311.2, 311.3, 231.81; D7/601;
D23/311; 348/552

FIG. 2 is a top view of the advertising and image display device of FIG. 1;

FIG. 3 is a side view of the advertising and image display device of FIG. 1;

FIG. 4 is a front view of the advertising and image display device of FIG. 1;

FIG. 5 is a back view of the advertising and image display device of FIG. 1; and,

See application file for complete search history.

FIG. 6 is a bottom view of the advertising and image display device of FIG. 1.

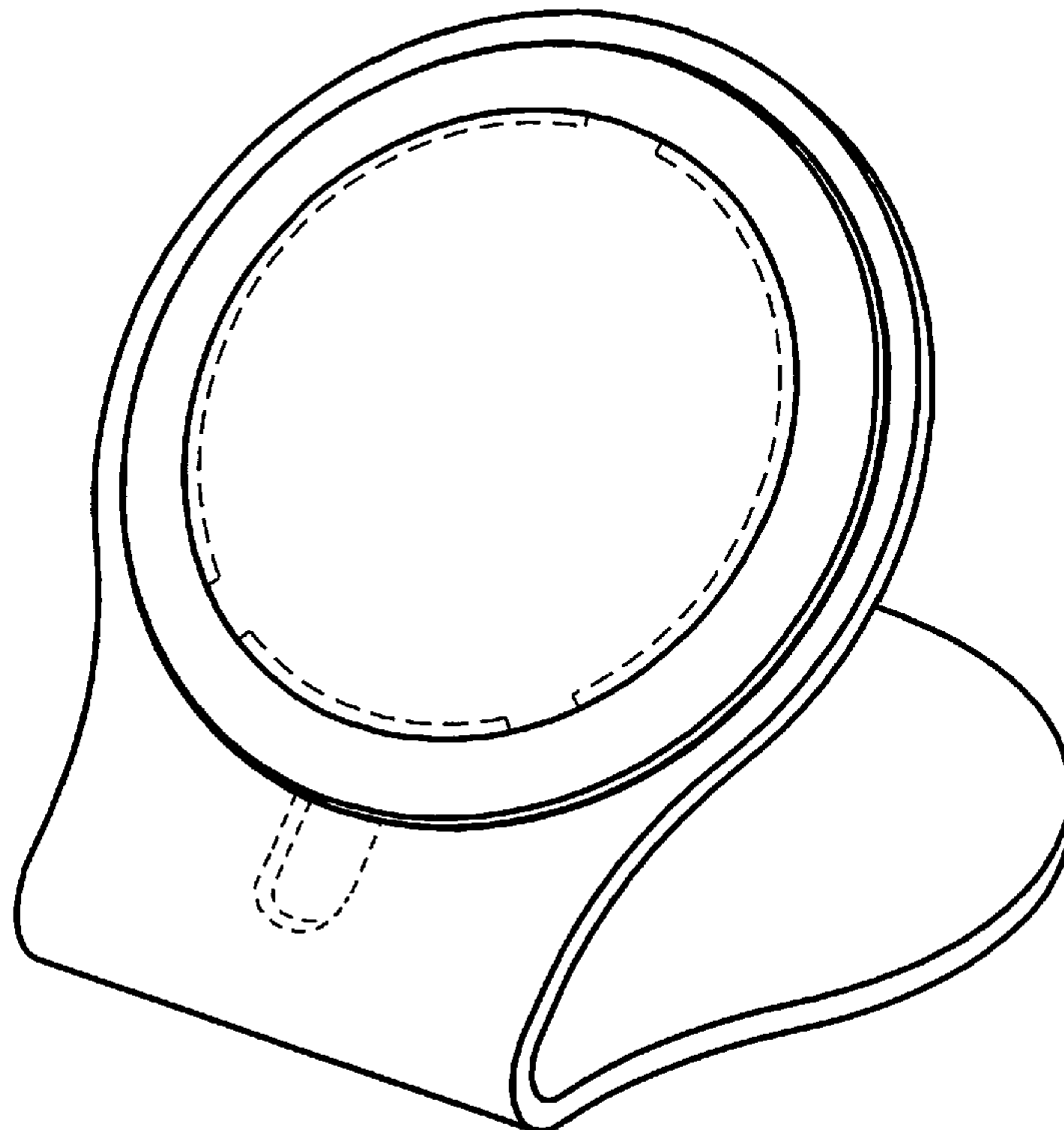
(56) **References Cited**

U.S. PATENT DOCUMENTS

D158,377 S * 5/1950 Haglund D8/373
D201,017 S * 5/1965 Pohlmann D19/62
D284,483 S * 7/1986 Yang D19/91

In the drawings, the broken lines represent environmental structure forming no part of the claim.

1 Claim, 6 Drawing Sheets



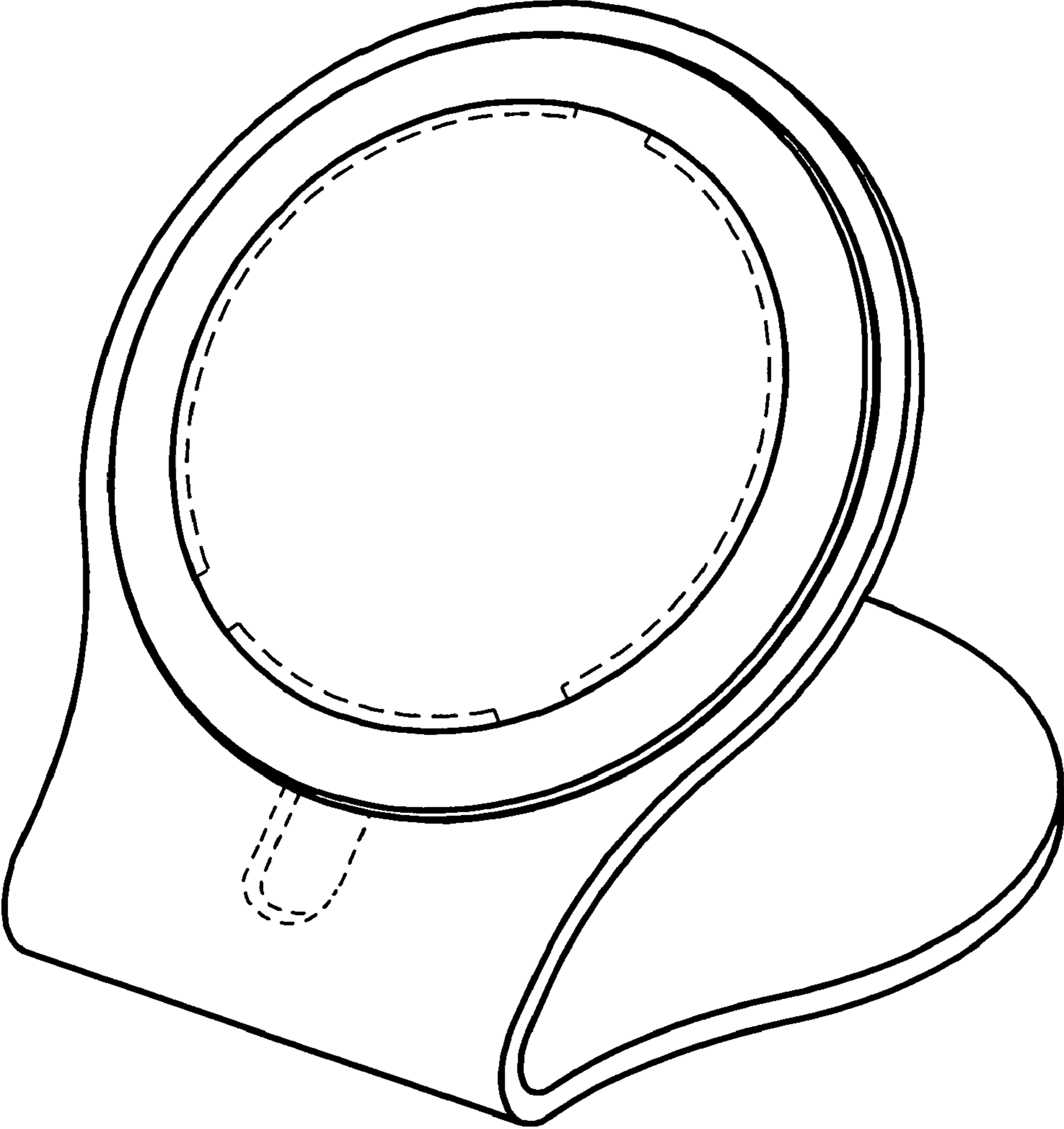


Fig. 1

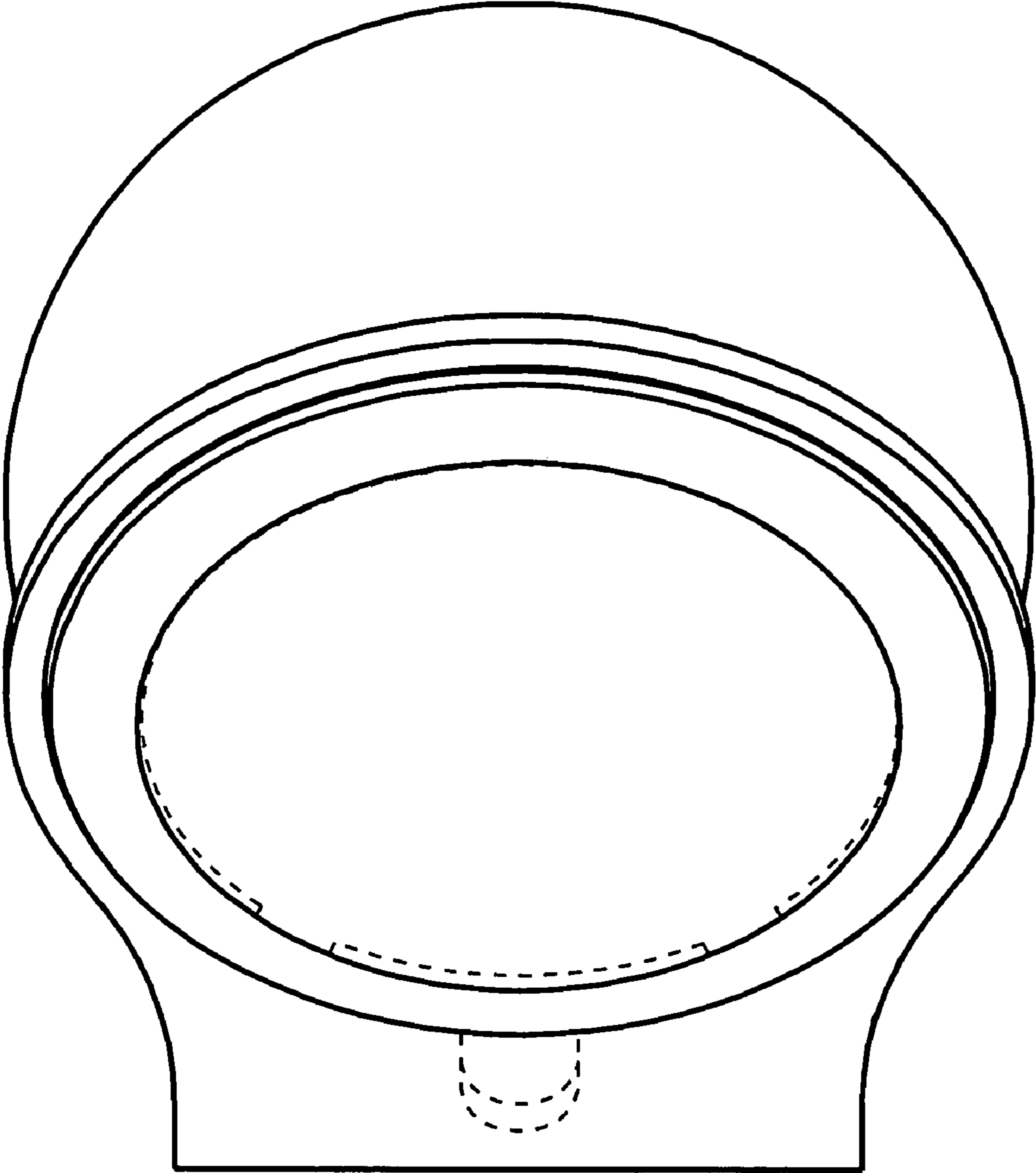


Fig. 2

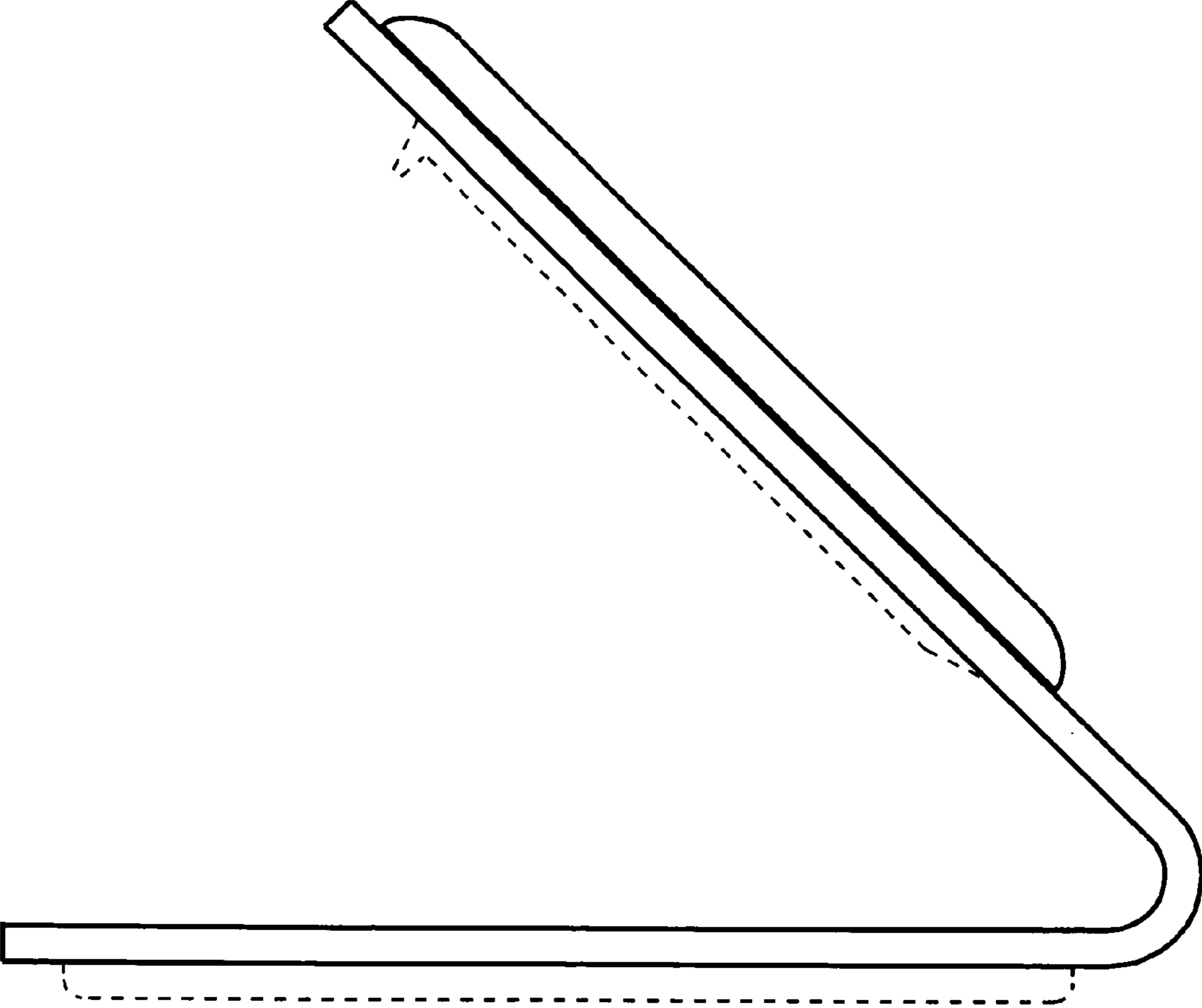


Fig. 3

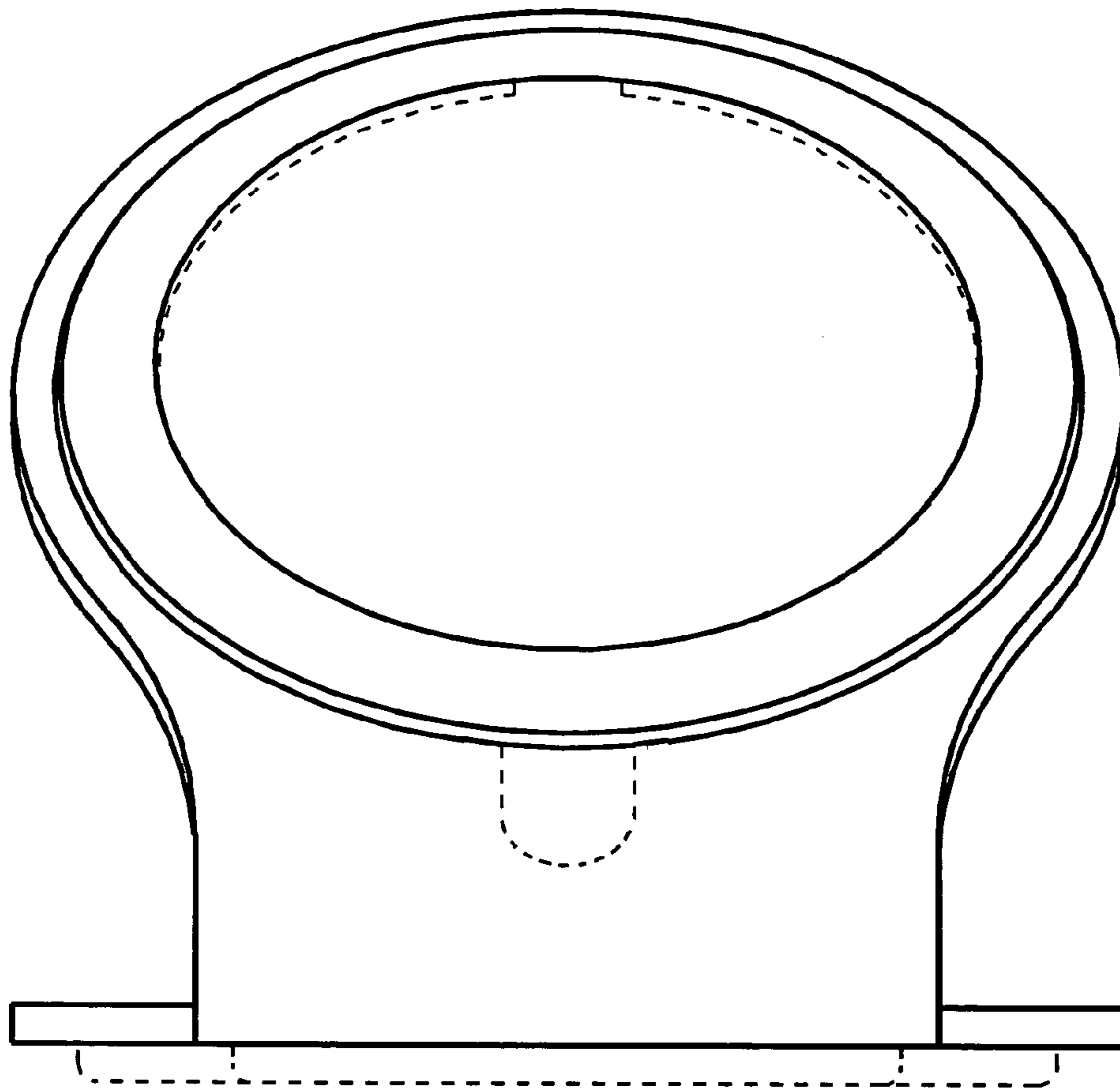


Fig. 4

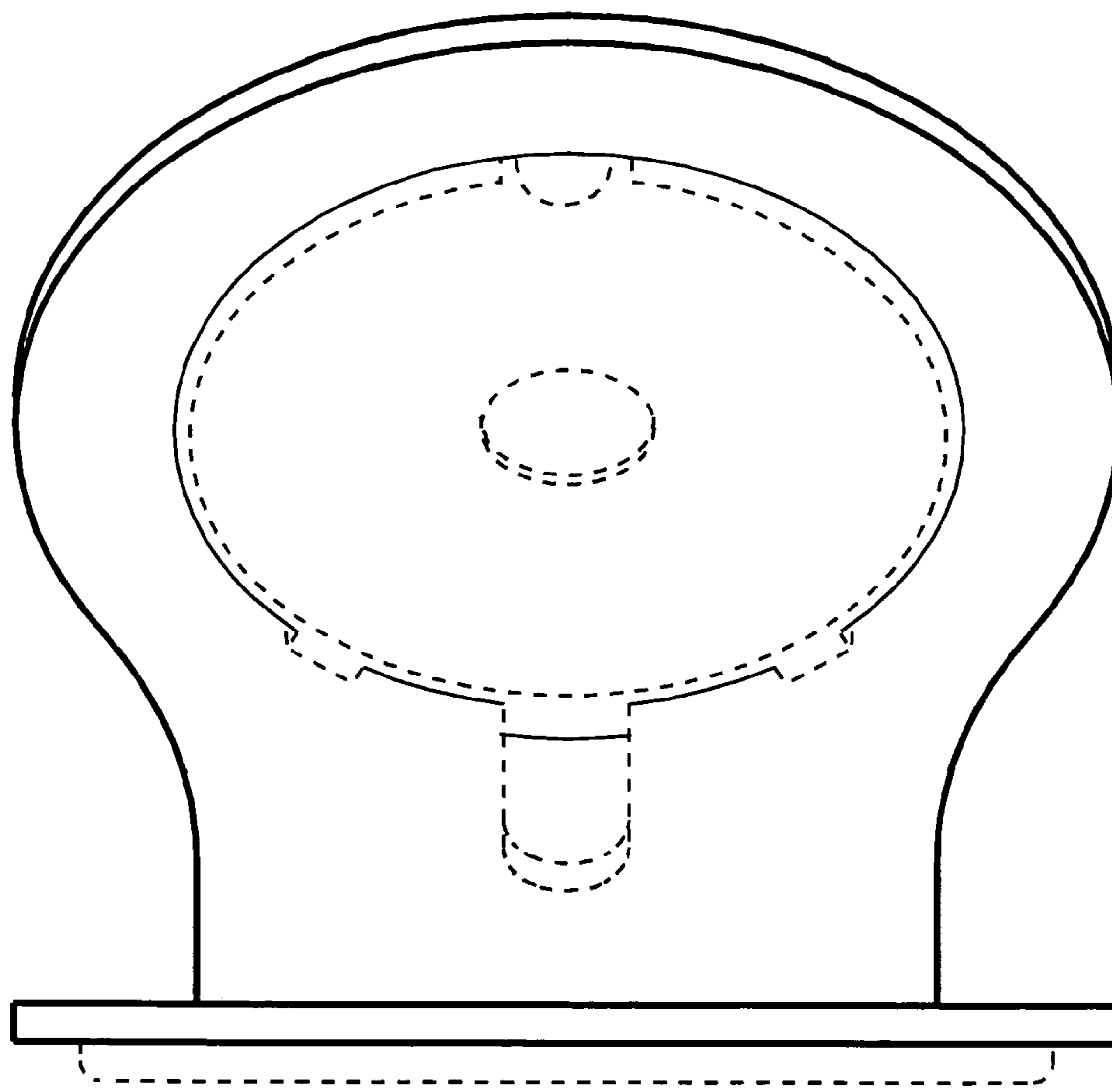


Fig. 5

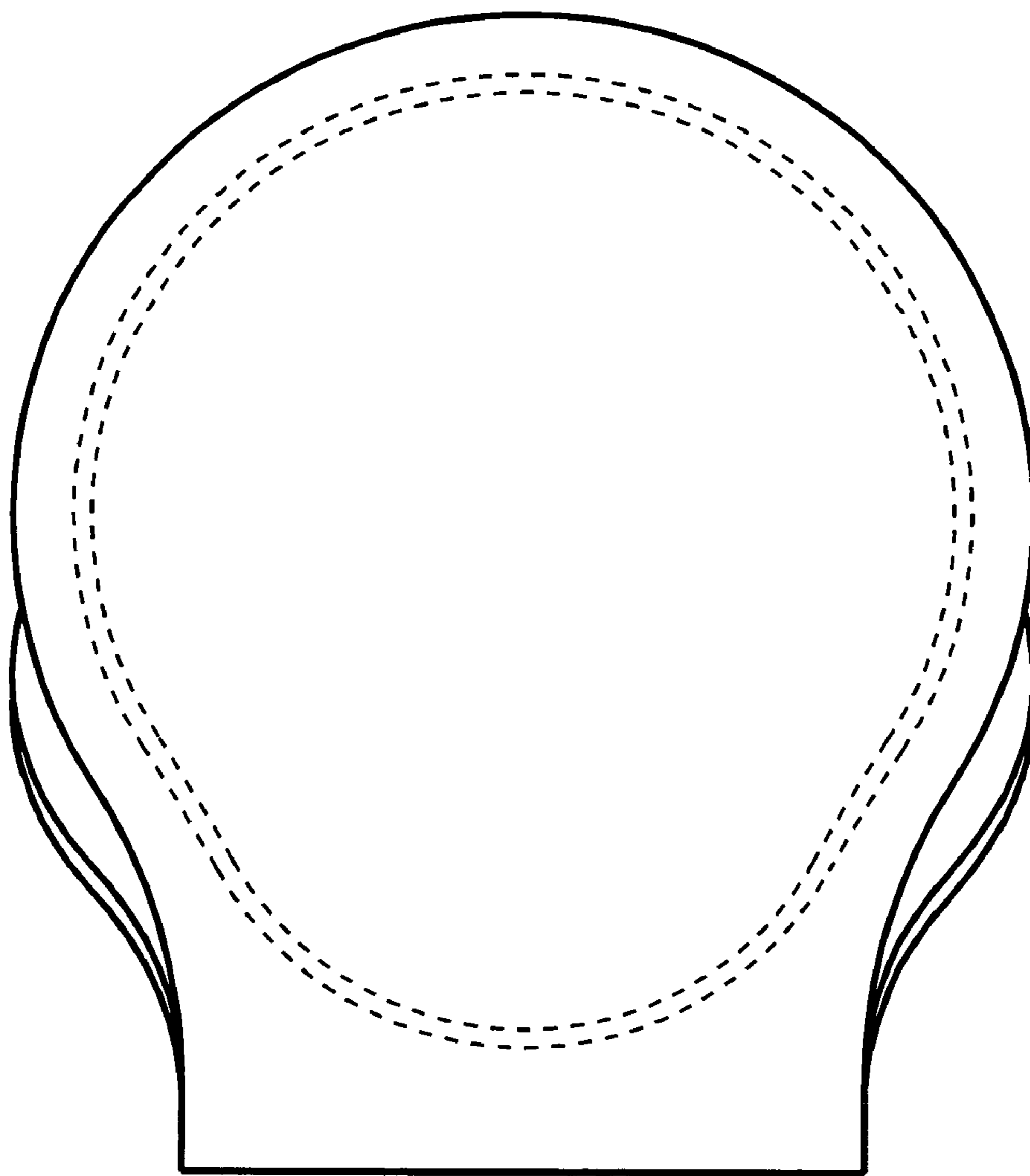


Fig. 6