

US00D582971S

(12) **United States Design Patent**
Smith et al.

(10) **Patent No.:** **US D582,971 S**
(45) **Date of Patent:** **** Dec. 16, 2008**

(54) **CD PRINTER**

(75) Inventors: **John W. Smith**, San Francisco, CA
(US); **Mike Nuttall**, Portola Valley, CA
(US); **John Lai**, San Bruno, CA (US);
Matthias Wieser, Esslingen (DE)

(73) Assignee: **Dymo**, Sint-Niklaas (BE)

(**) Term: **14 Years**

(21) Appl. No.: **29/263,577**

(22) Filed: **Jul. 26, 2006**

(30) **Foreign Application Priority Data**

Jan. 26, 2006 (EM) 000472477

(51) **LOC (8) Cl.** **18-02**

(52) **U.S. Cl.** **D18/50**

(58) **Field of Classification Search** D18/36-39,
D18/50, 54, 54.1, 55, 14, 19; D14/420-425,
D14/462-470; 400/613, 613.1-613.4, 690.1-690.4,
400/691-694
See application file for complete search history.

(56) **References Cited**

U.S. PATENT DOCUMENTS

3,498,708 A * 3/1970 Howard 399/220
D227,707 S * 7/1973 Cargill D18/54
4,215,762 A * 8/1980 Cunningham et al. 400/690.1
5,927,208 A * 7/1999 Hagstrom et al. 101/486
6,312,174 B1 * 11/2001 Drynkin et al. 400/120.16

6,580,444 B1 * 6/2003 Drynkin et al. 347/171
6,760,052 B2 * 7/2004 Cummins et al. 347/171
6,827,509 B2 * 12/2004 Suden et al. 400/120.01
6,893,176 B2 * 5/2005 Obara 400/693
7,061,515 B2 * 6/2006 Cummins et al. 347/171
7,226,225 B2 * 6/2007 Mochizuki et al. 400/120.01
7,237,857 B2 * 7/2007 Chang 347/2
7,301,550 B2 * 11/2007 Cummins et al. 347/171

* cited by examiner

Primary Examiner—Cathy Anne MacCormac

(74) *Attorney, Agent, or Firm*—Marshall, Gerstein & Borun
LLP

(57) **CLAIM**

The ornamental design for a CD printer, as shown and
described.

DESCRIPTION

FIG. 1 is a top plan view of a CD printer showing our new
ornamental design;

FIG. 2 is a front view thereof;

FIG. 3 is a side view thereof, the opposite side view being a
mirror image thereof;

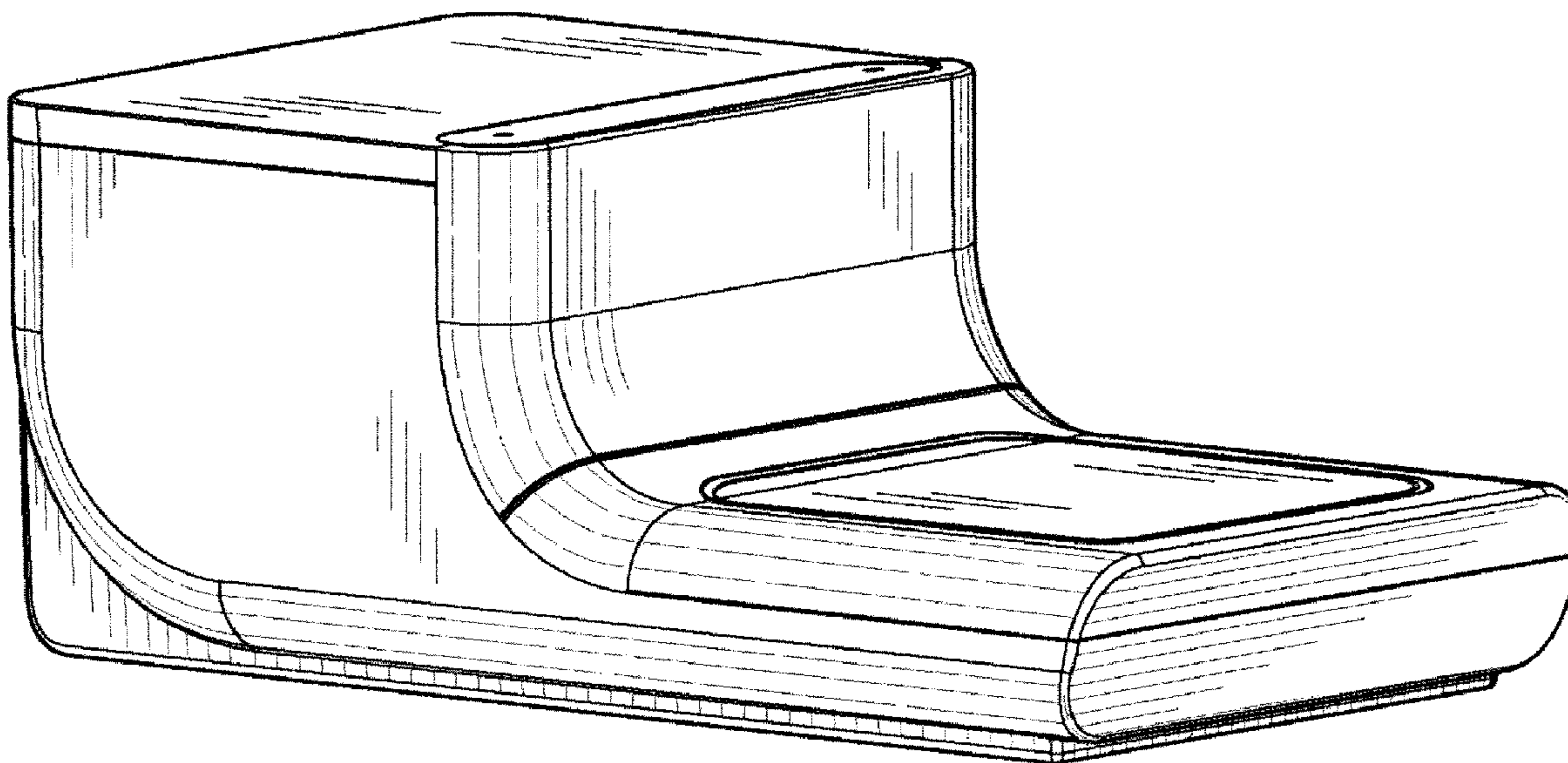
FIG. 4 a rear view thereof;

FIG. 5 is a left side perspective view thereof; and,

FIG. 6 is a right side perspective view thereof.

The dashed lines are for illustrative purposes only and form
no part of the claimed design.

1 Claim, 6 Drawing Sheets



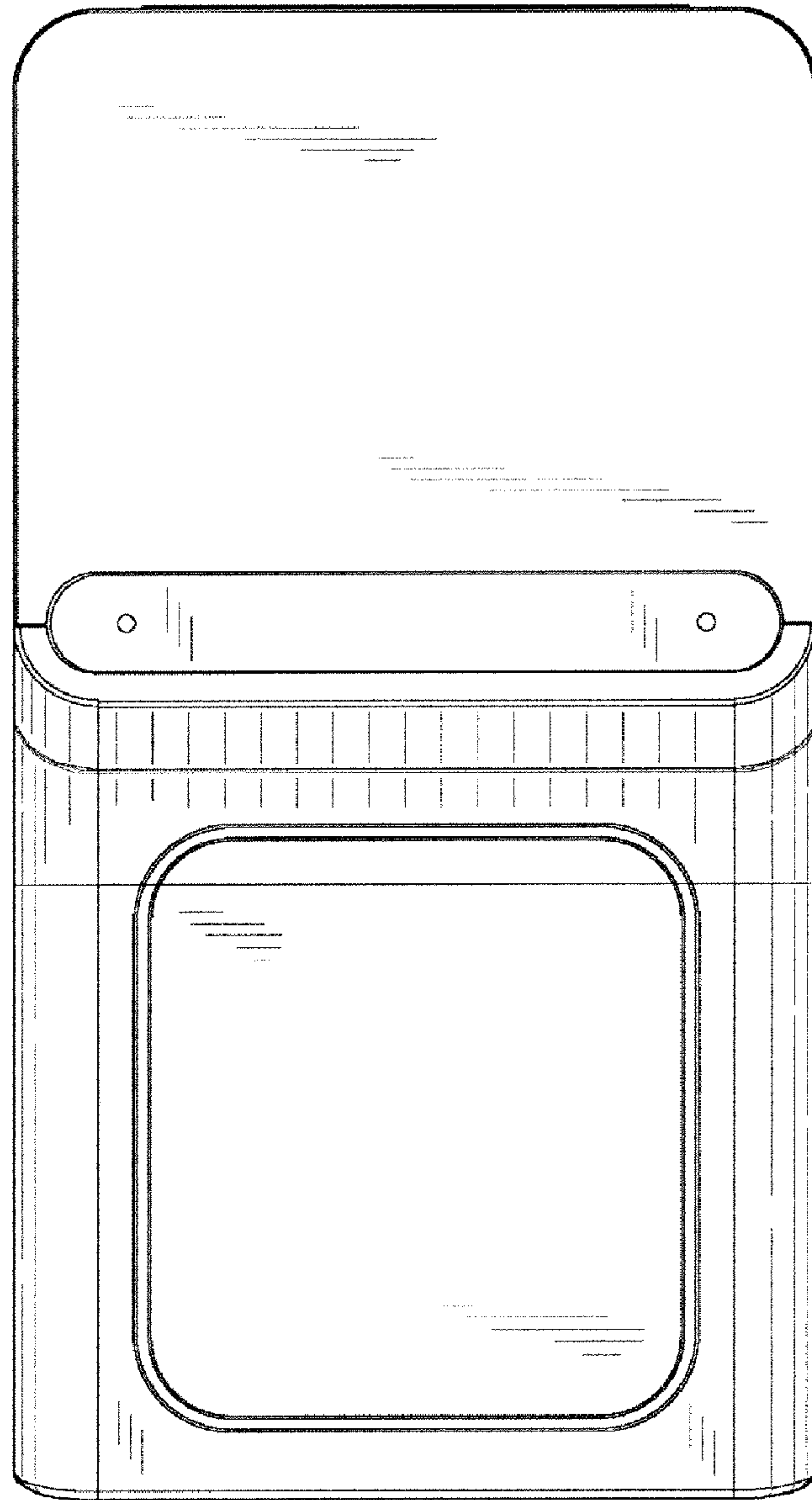


FIG. 1

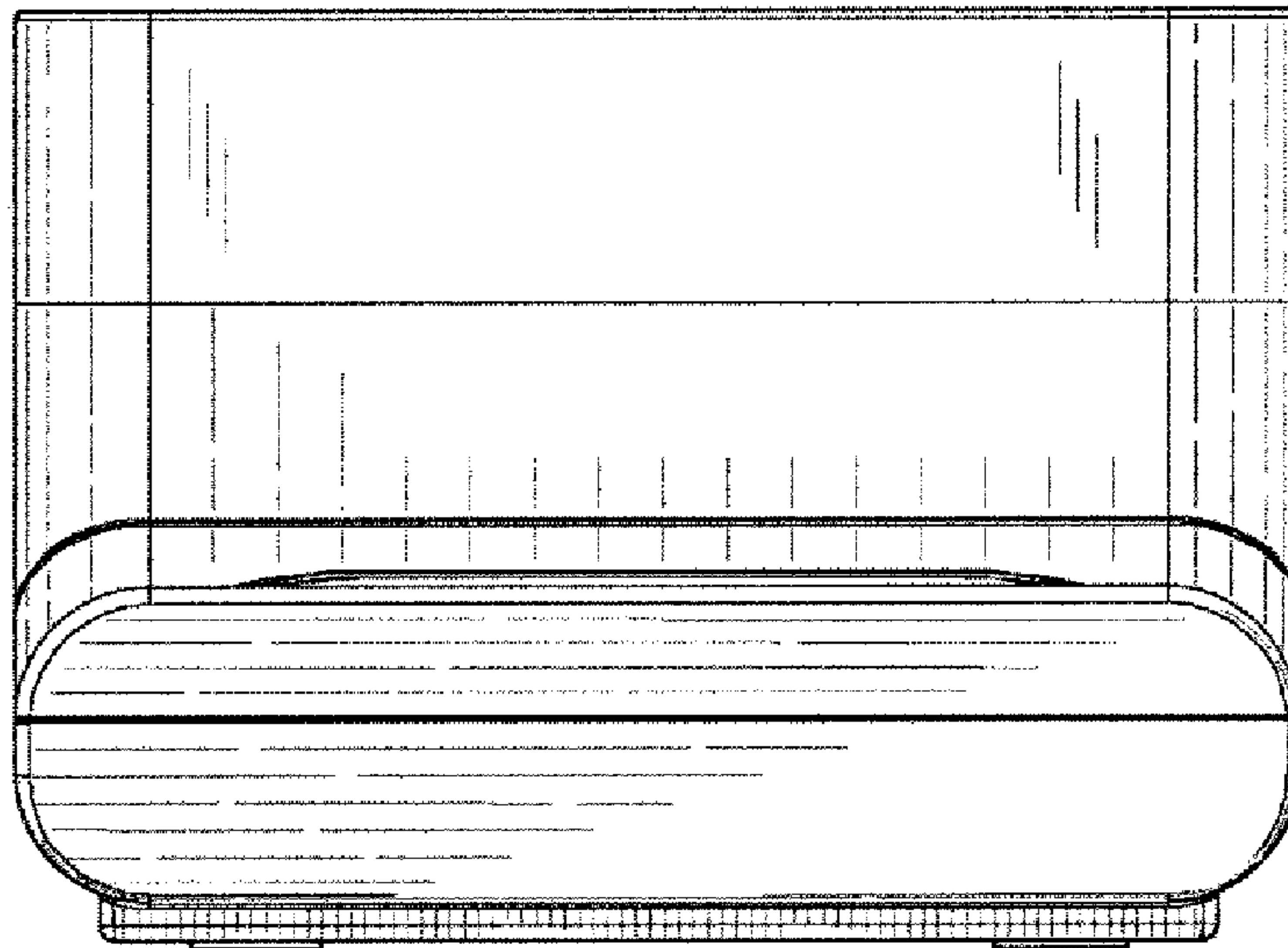


FIG. 2

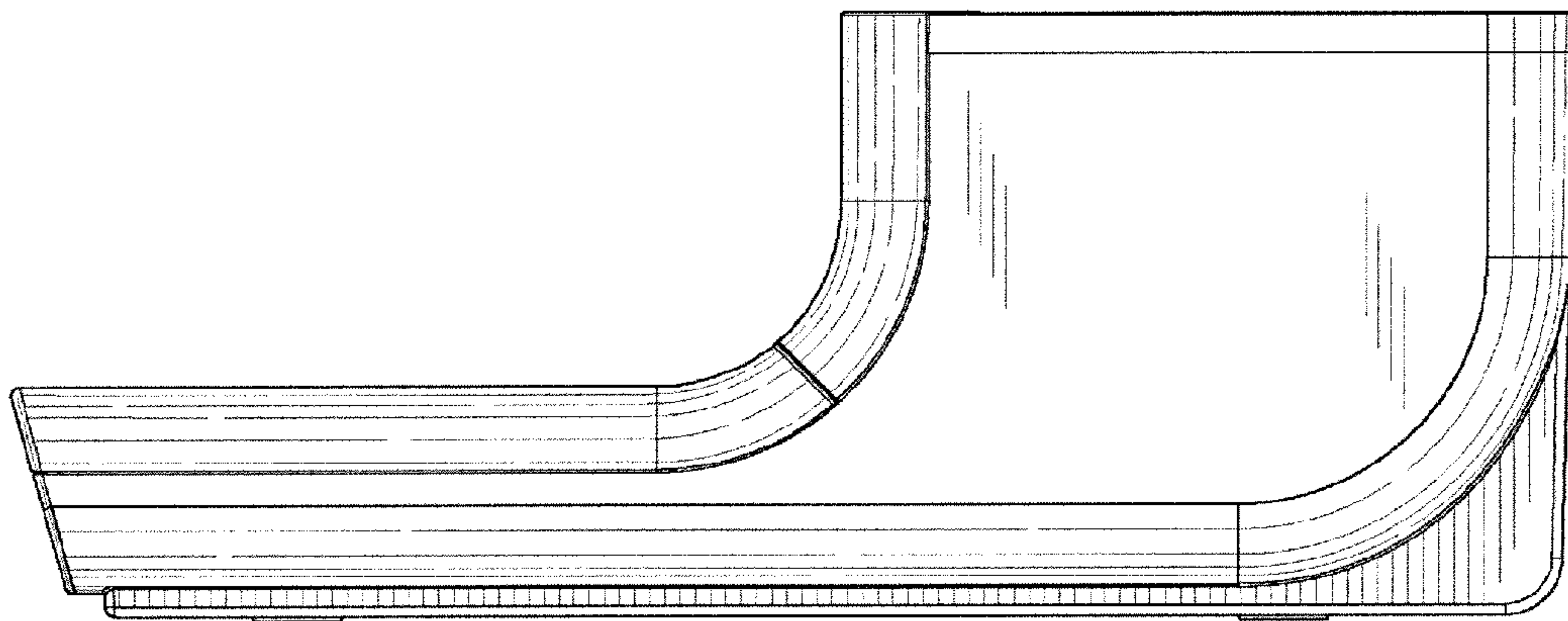


FIG. 3

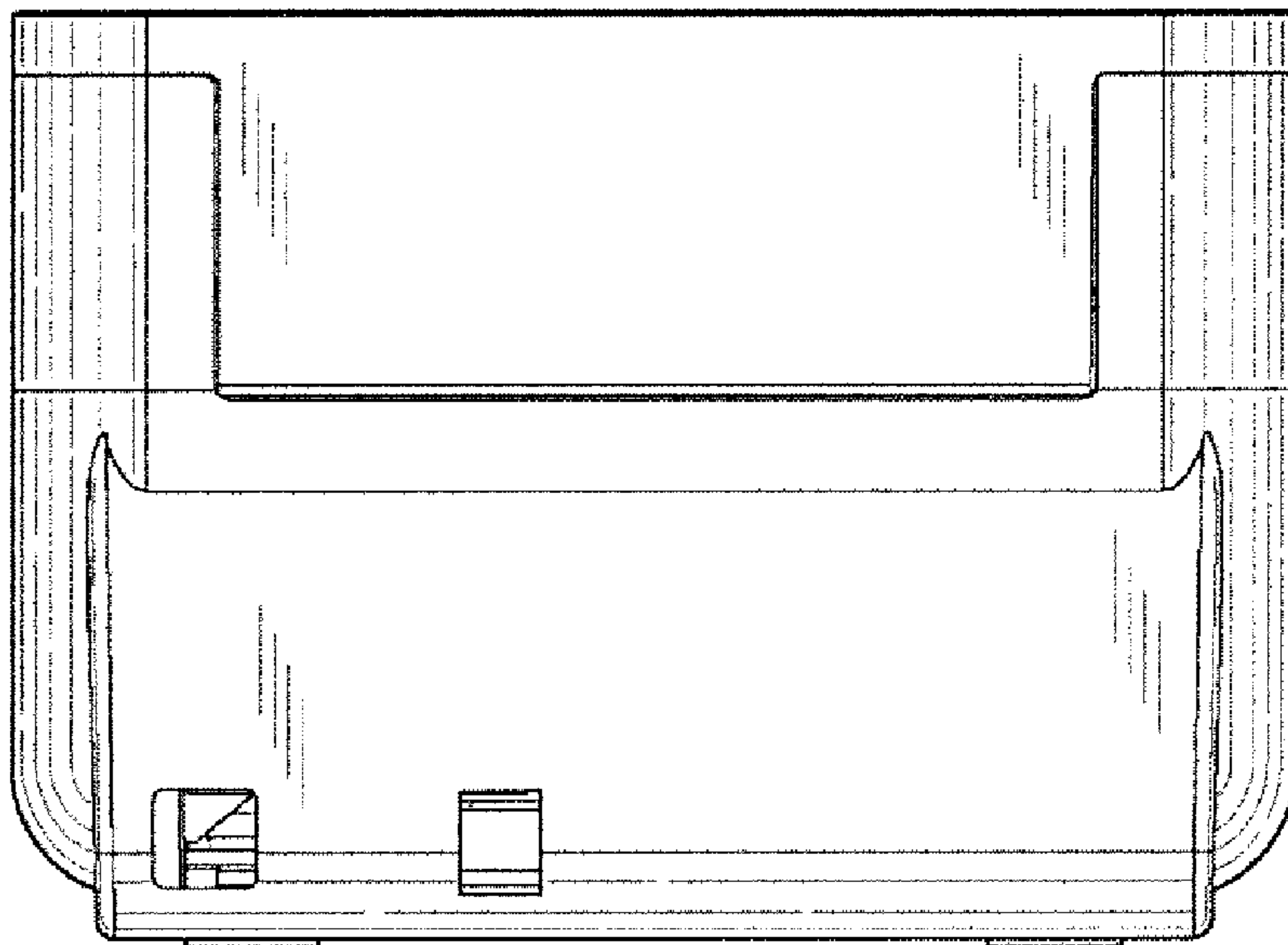


FIG. 4

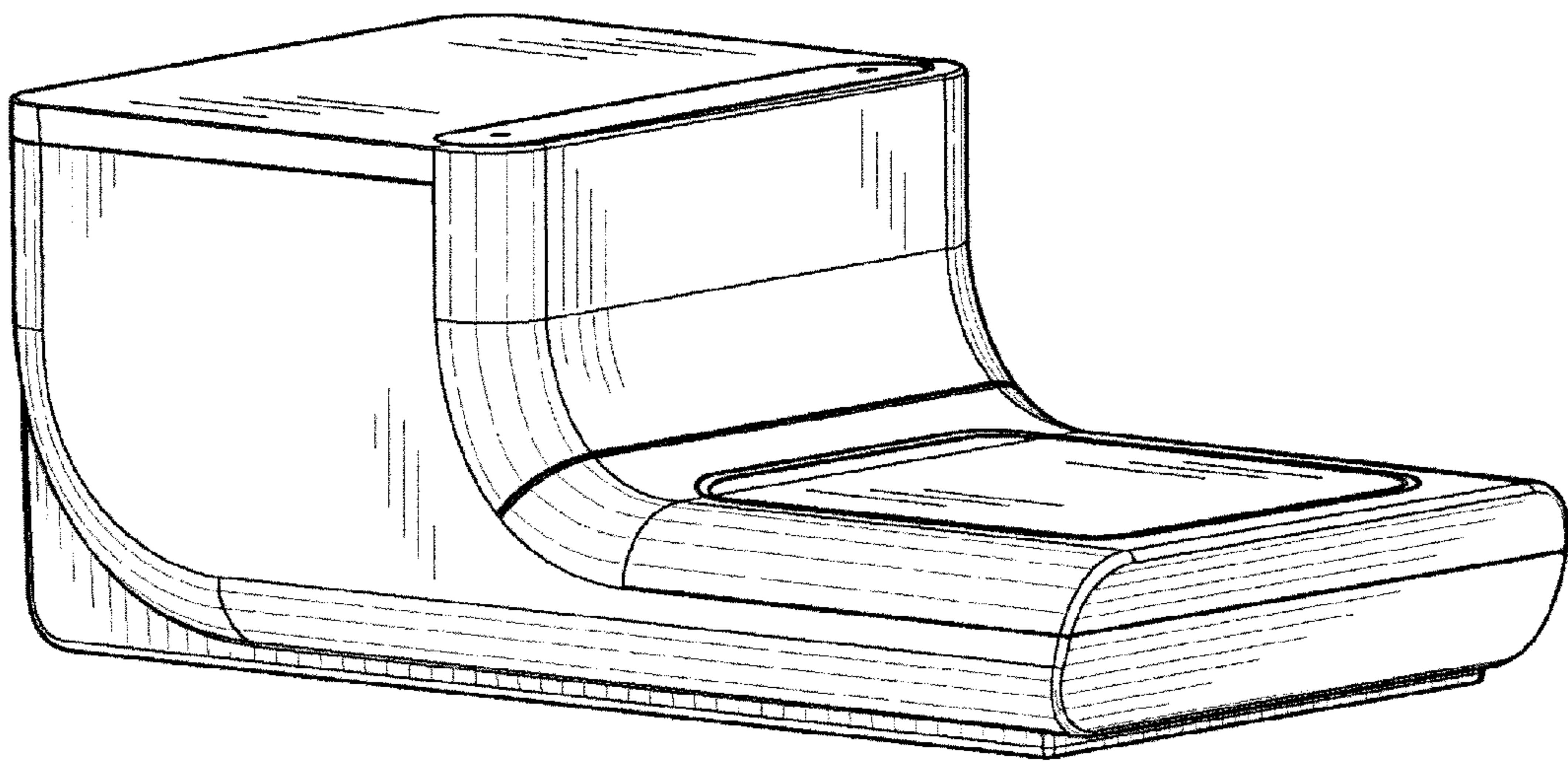


FIG. 5

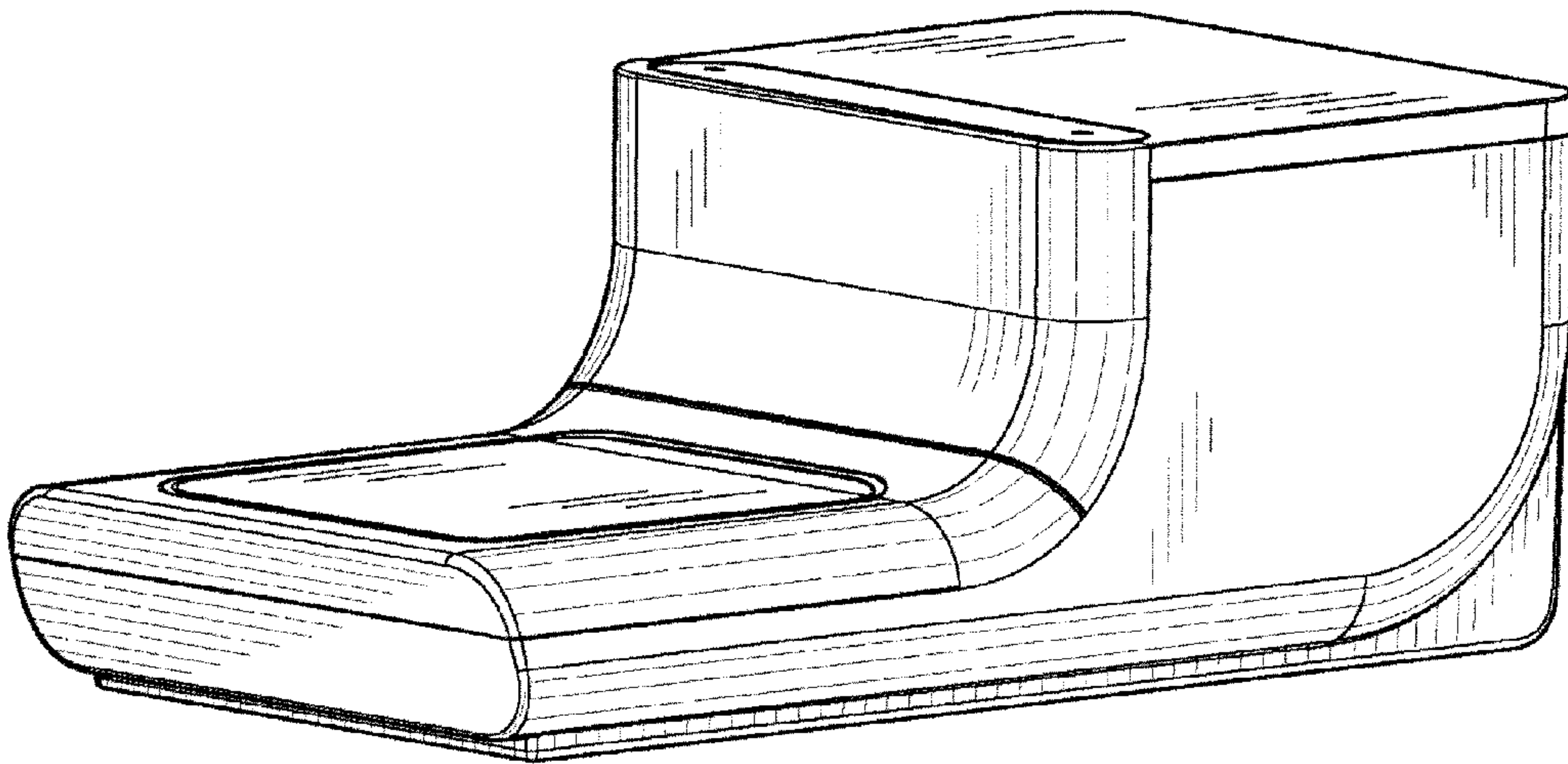


FIG. 6