



US00D582955S

(12) **United States Design Patent**  
**Sekine et al.**

(10) **Patent No.:** **US D582,955 S**  
(45) **Date of Patent:** **\*\* Dec. 16, 2008**

(54) **NETWORK CAMERA**

(75) Inventors: **Yasuko Sekine**, Kadoma (JP); **Kenji Shioya**, Kadoma (JP)

(73) Assignee: **Panasonic Corporation**, Osaka (JP)

(\*\*) Term: **14 Years**

(21) Appl. No.: **29/299,228**

(22) Filed: **Dec. 20, 2007**

(51) **LOC (8) Cl.** ..... **16-01**

(52) **U.S. Cl.** ..... **D16/218**

(58) **Field of Classification Search** ..... D16/200–205,  
D16/208, 218; 348/143, 151, 373–376; 358/906;  
396/535–541

See application file for complete search history.

(56) **References Cited**

**U.S. PATENT DOCUMENTS**

|           |      |         |                 |       |         |
|-----------|------|---------|-----------------|-------|---------|
| 5,032,919 | A *  | 7/1991  | Randmae         | ..... | 348/374 |
| D339,365  | S *  | 9/1993  | Urcuilio        | ..... | D16/203 |
| D416,033  | S    | 11/1999 | Kitera          |       |         |
| D465,504  | S *  | 11/2002 | Van Klinken     | ..... | D16/203 |
| D474,221  | S *  | 5/2003  | Cheng           | ..... | D16/218 |
| 6,762,790 | B1 * | 7/2004  | Matko et al.    | ..... | 348/373 |
| D496,062  | S *  | 9/2004  | Yamakami et al. | ..... | D16/218 |
| D504,904  | S *  | 5/2005  | Nagai et al.    | ..... | D16/203 |
| 6,959,994 | B2 * | 11/2005 | Fujikawa et al. | ..... | 348/151 |
| D531,199  | S    | 10/2006 | Matsuda         |       |         |

D534,196 S 12/2006 Kim et al.  
D542,820 S 5/2007 Depay  
D550,739 S 9/2007 Deng

\* cited by examiner

*Primary Examiner*—Adir Aronovich

(74) *Attorney, Agent, or Firm*—Brinks Hofer Gilson & Lione

(57) **CLAIM**

We claim the ornamental design for a network camera, as shown and described.

**DESCRIPTION**

FIG. 1 is a top, front and right side perspective view of a network camera of the present invention;

FIG. 2 is a front view thereof;

FIG. 3 is a rear view thereof;

FIG. 4 is a left side view thereof;

FIG. 5 is a right side view thereof;

FIG. 6 is a top view thereof;

FIG. 7 is a bottom view thereof; and,

FIG. 8 is a cross-section view wherein the lightly shaded portion is taken along the line 8—8 of FIG. 2.

The broken line showing of network camera is included for the purpose of illustrating environment and forms no part of the claimed design.

**1 Claim, 8 Drawing Sheets**

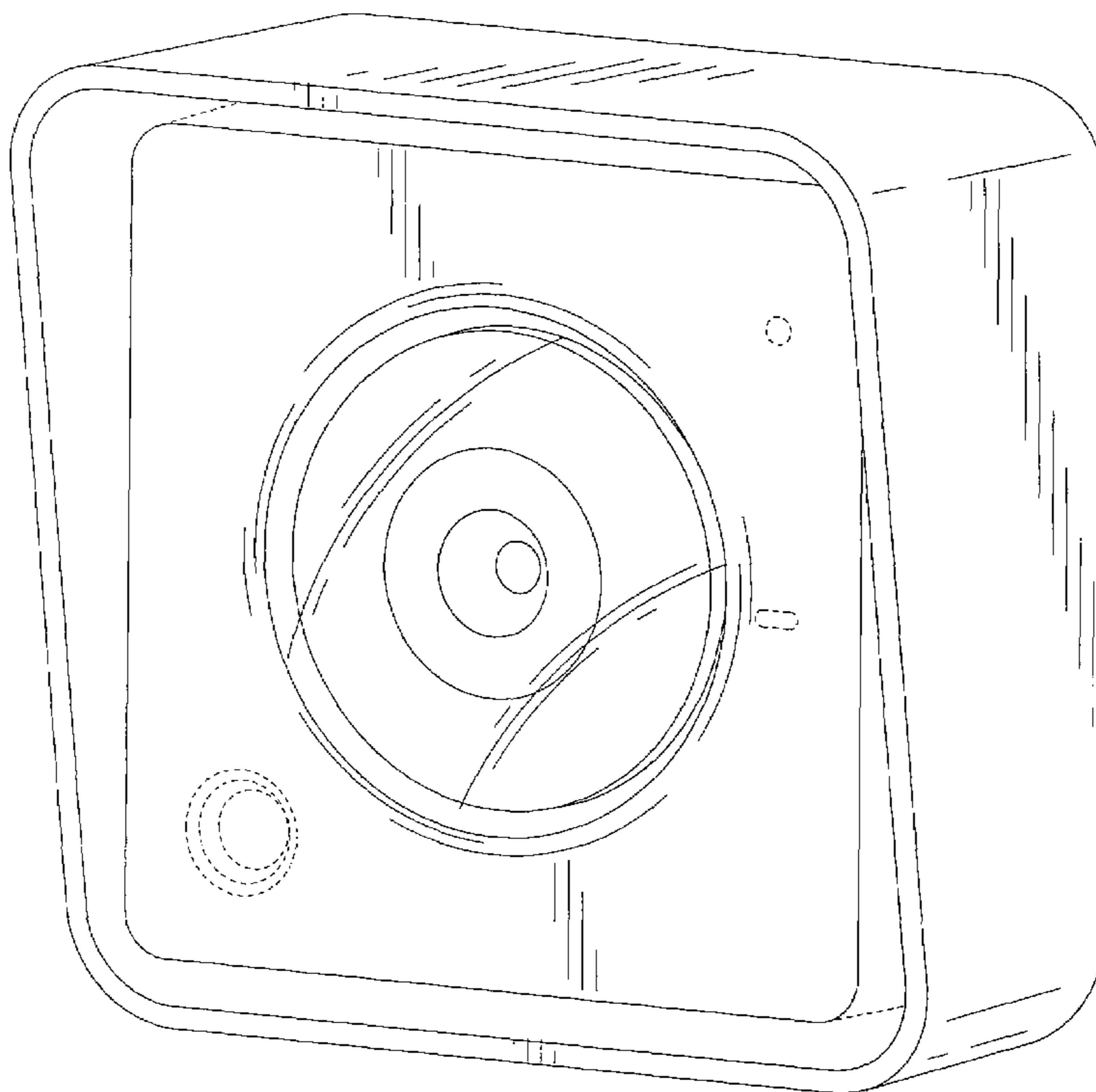


FIG.1

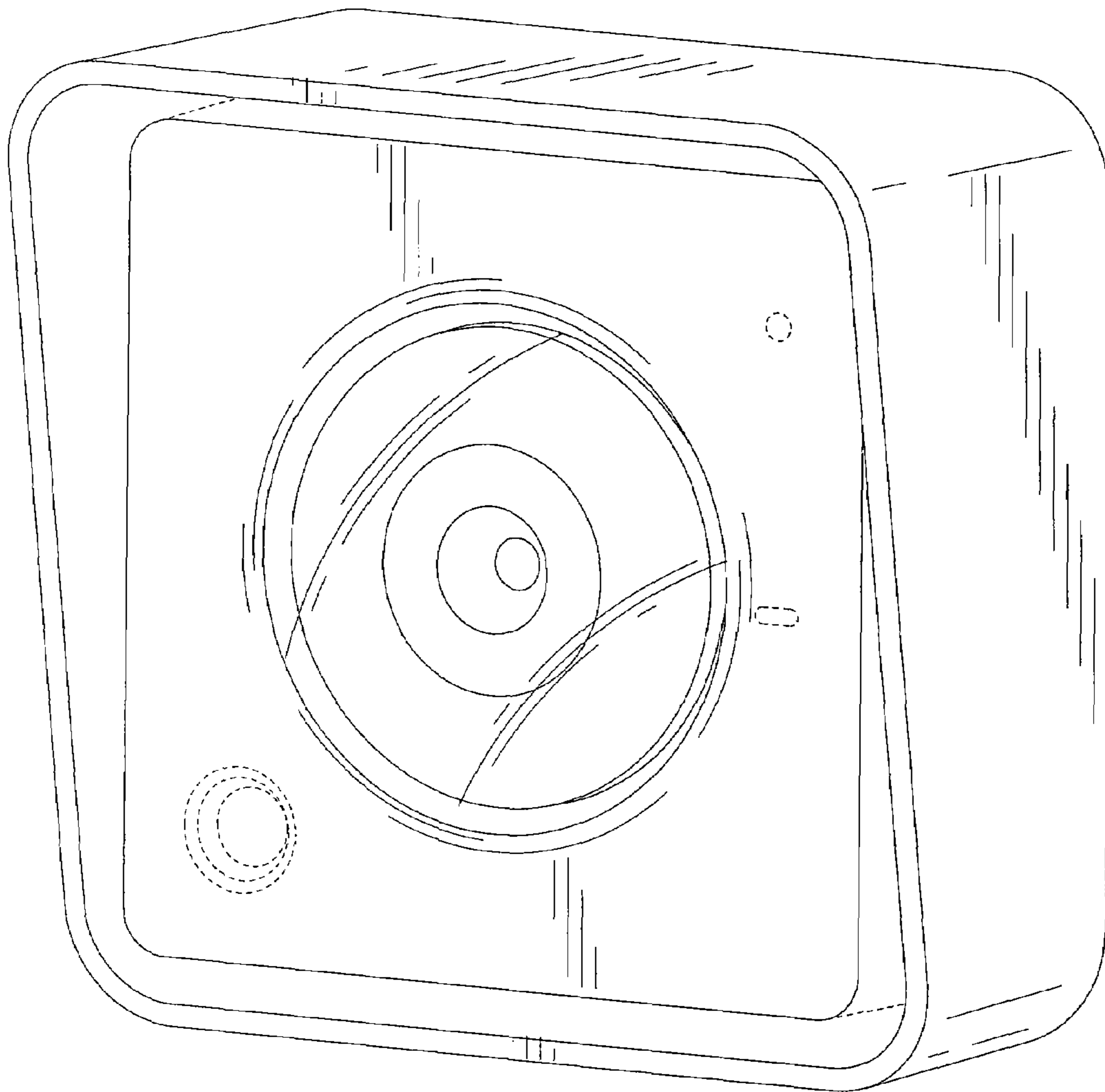


FIG.2

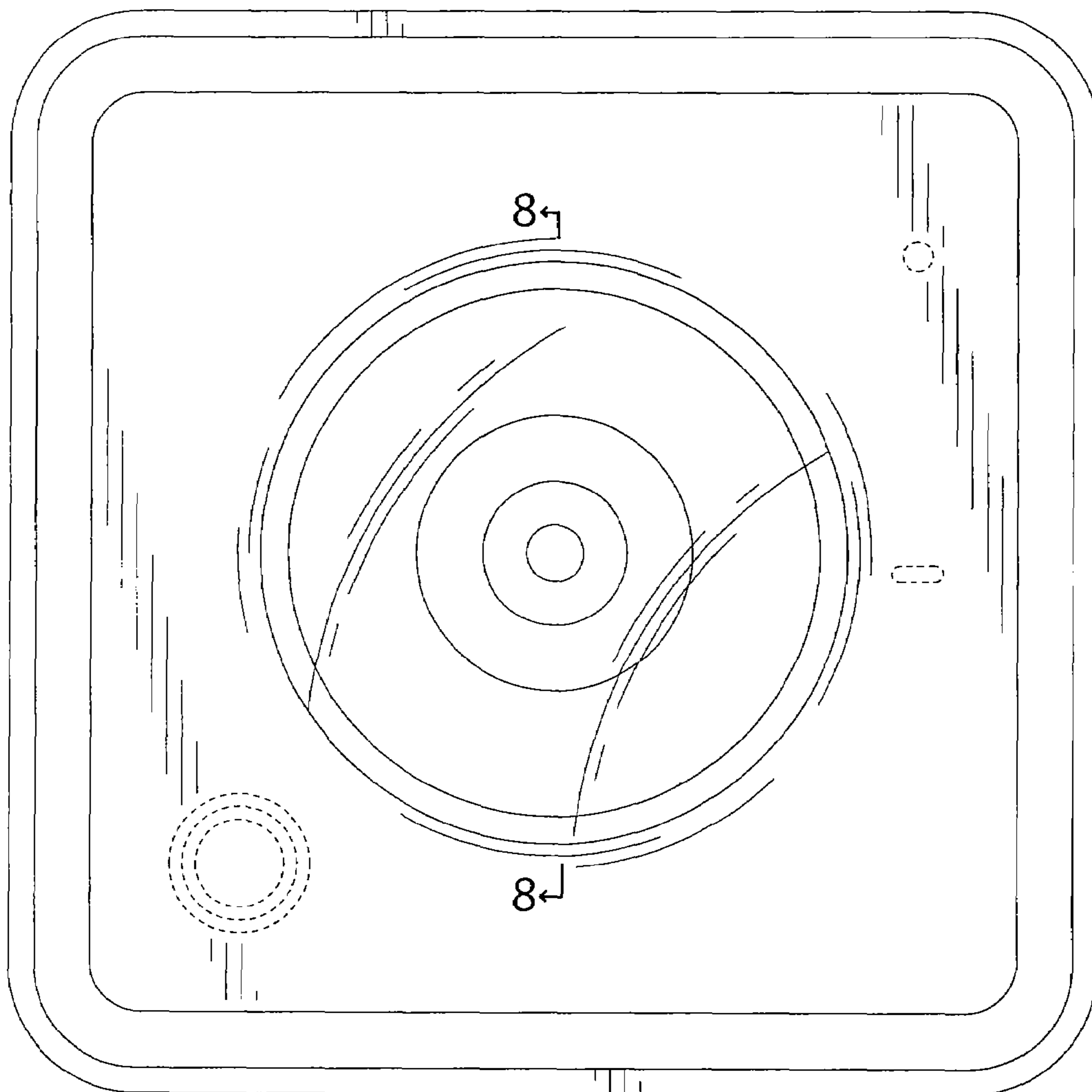


FIG.3

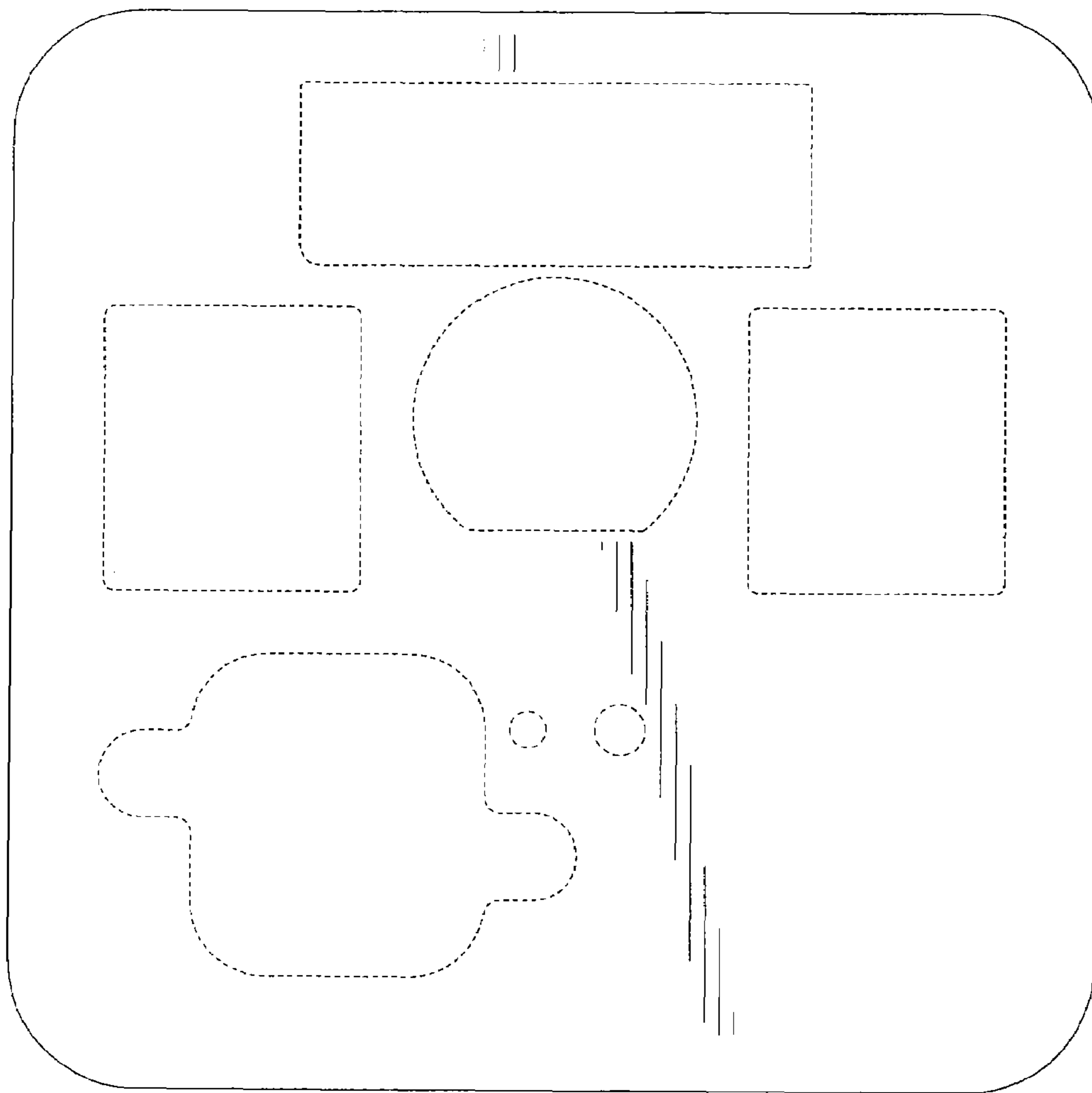


FIG.4

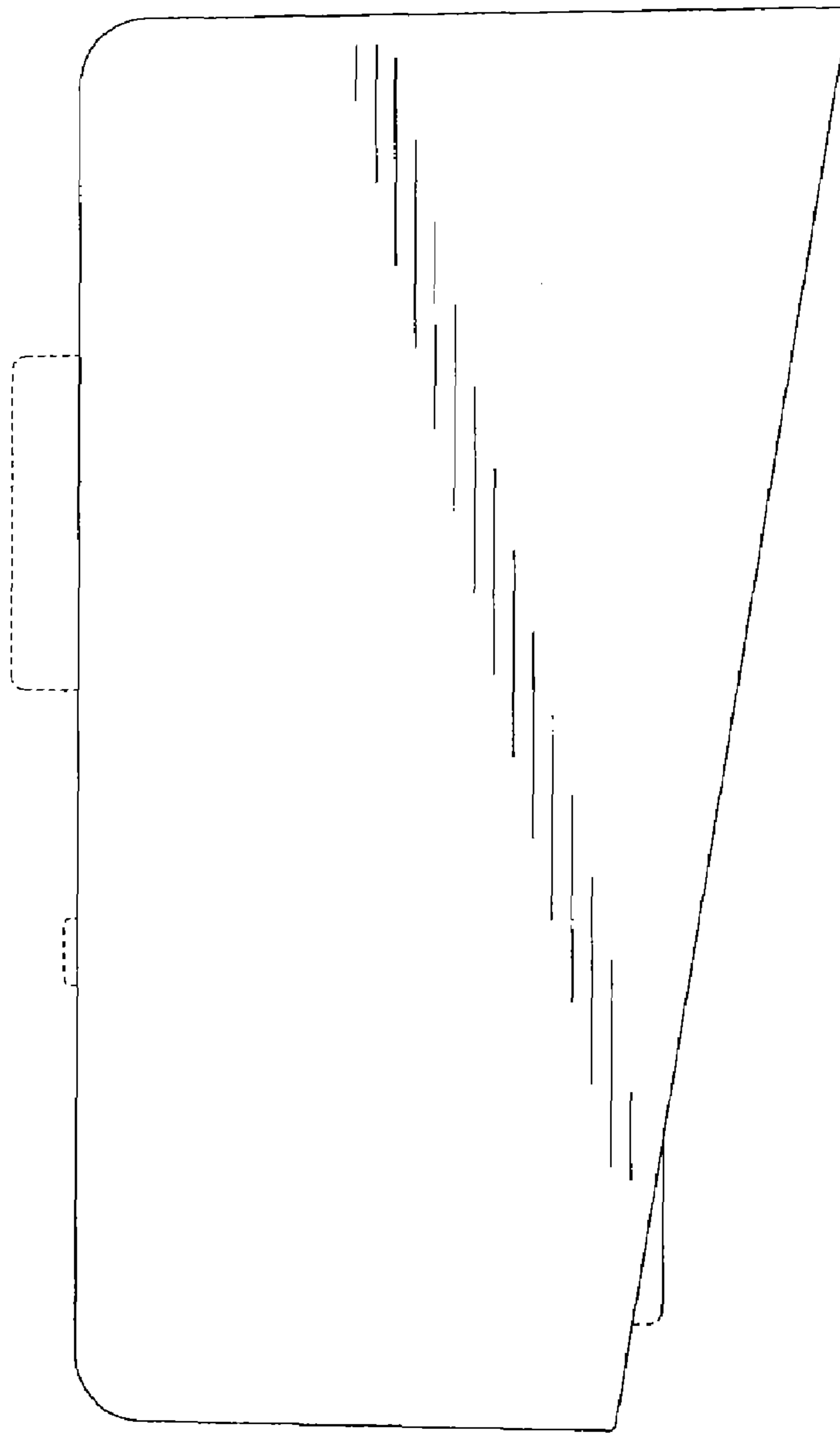


FIG.5

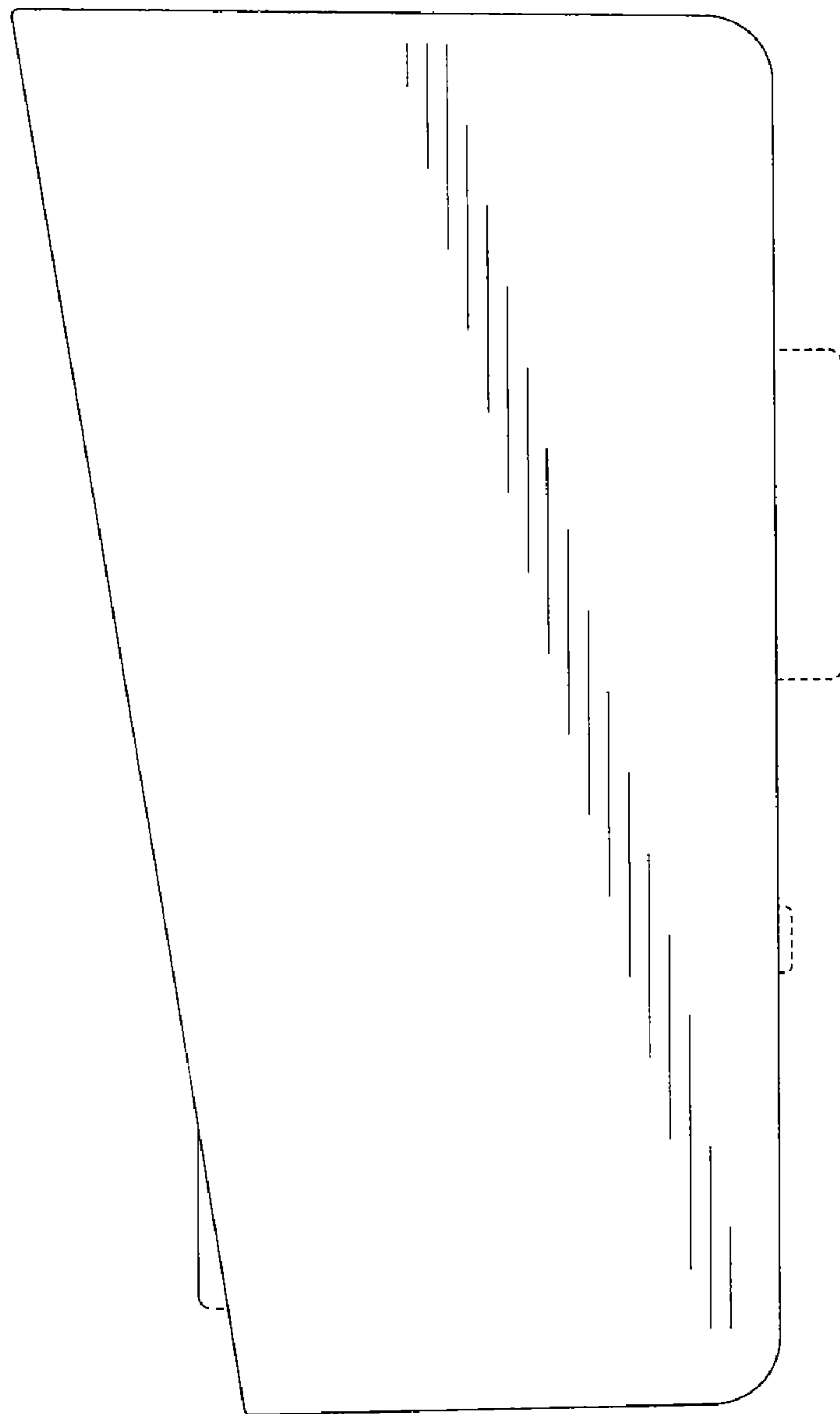


FIG.6

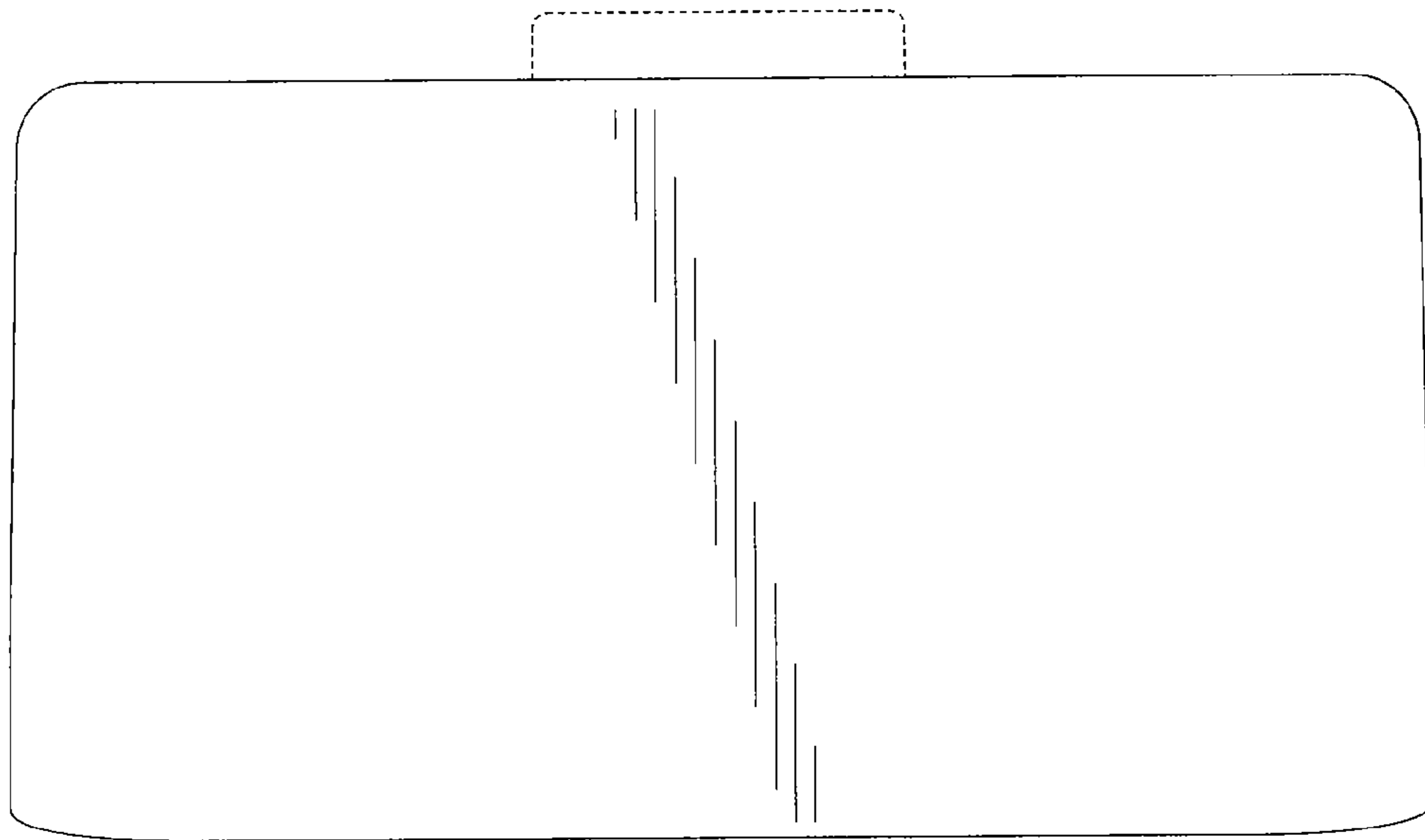


FIG.7

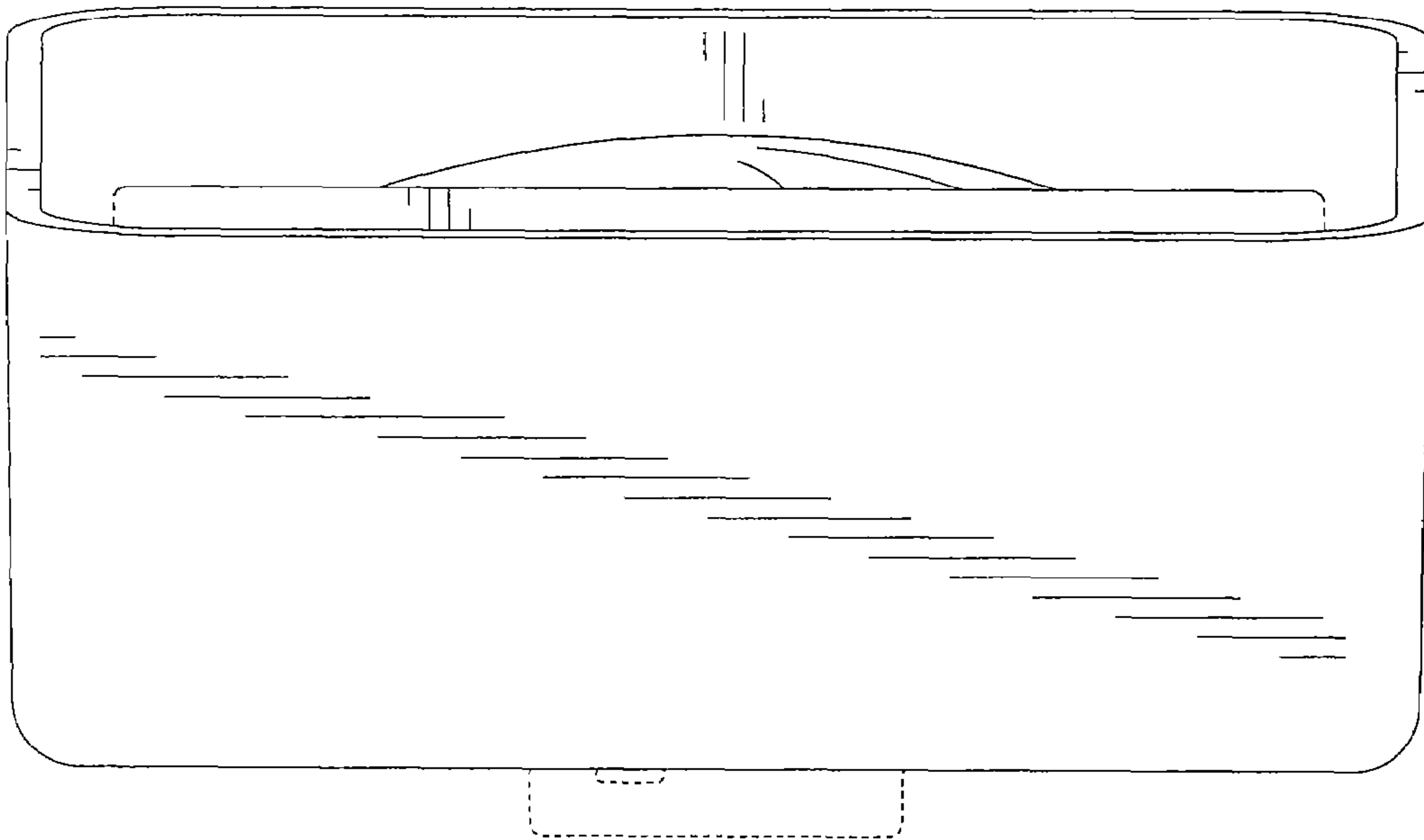




FIG.8

