



US00D582954S

(12) **United States Design Patent**  
**Imai**

(10) **Patent No.:** **US D582,954 S**  
(45) **Date of Patent:** **\*\* Dec. 16, 2008**

(54) **ELECTRONIC CAMERA**

(75) Inventor: **Masazumi Imai**, Tokyo (JP)

(73) Assignee: **Fujifilm Corporation**, Tokyo (JP)

(\*\*) Term: **14 Years**

(21) Appl. No.: **29/302,749**

(22) Filed: **Jan. 24, 2008**

(30) **Foreign Application Priority Data**

Jul. 25, 2007 (JP) ..... 2007-020183

(51) **LOC (8) Cl.** ..... **16-01**

(52) **U.S. Cl.** ..... **D16/202**

(58) **Field of Classification Search** ..... D16/200–204,  
D16/208, 218, 219; 348/373–376; 358/909.1;  
396/535–541

See application file for complete search history.

(56) **References Cited**

**U.S. PATENT DOCUMENTS**

D516,599 S \* 3/2006 Nakamura ..... D16/202  
D537,460 S \* 2/2007 Nakamura et al. .... D16/202  
D550,736 S \* 9/2007 Sakai ..... D16/202  
D559,292 S \* 1/2008 Imai et al. .... D16/202

D567,276 S \* 4/2008 Sato et al. .... D16/202  
D568,360 S \* 5/2008 Hayashi ..... D16/202  
2007/0212062 A1 \* 9/2007 Saiki et al. .... 396/535

\* cited by examiner

*Primary Examiner*—Adir Aronovich

(74) *Attorney, Agent, or Firm*—Young & Thompson

(57) **CLAIM**

The ornamental design for an electronic camera, as shown and described.

**DESCRIPTION**

FIG. 1 is a top, front and left side perspective view of an electronic camera showing my new design;

FIG. 2 is a front elevational view thereof;

FIG. 3 is a rear elevational view thereof;

FIG. 4 is a top plan view thereof;

FIG. 5 is a bottom plan view thereof;

FIG. 6 is a left side elevational view thereof;

FIG. 7 is a right side elevational view thereof; and,

FIG. 8 is a top, front and left side perspective view thereof, the lens being in a retracted position.

**1 Claim, 4 Drawing Sheets**

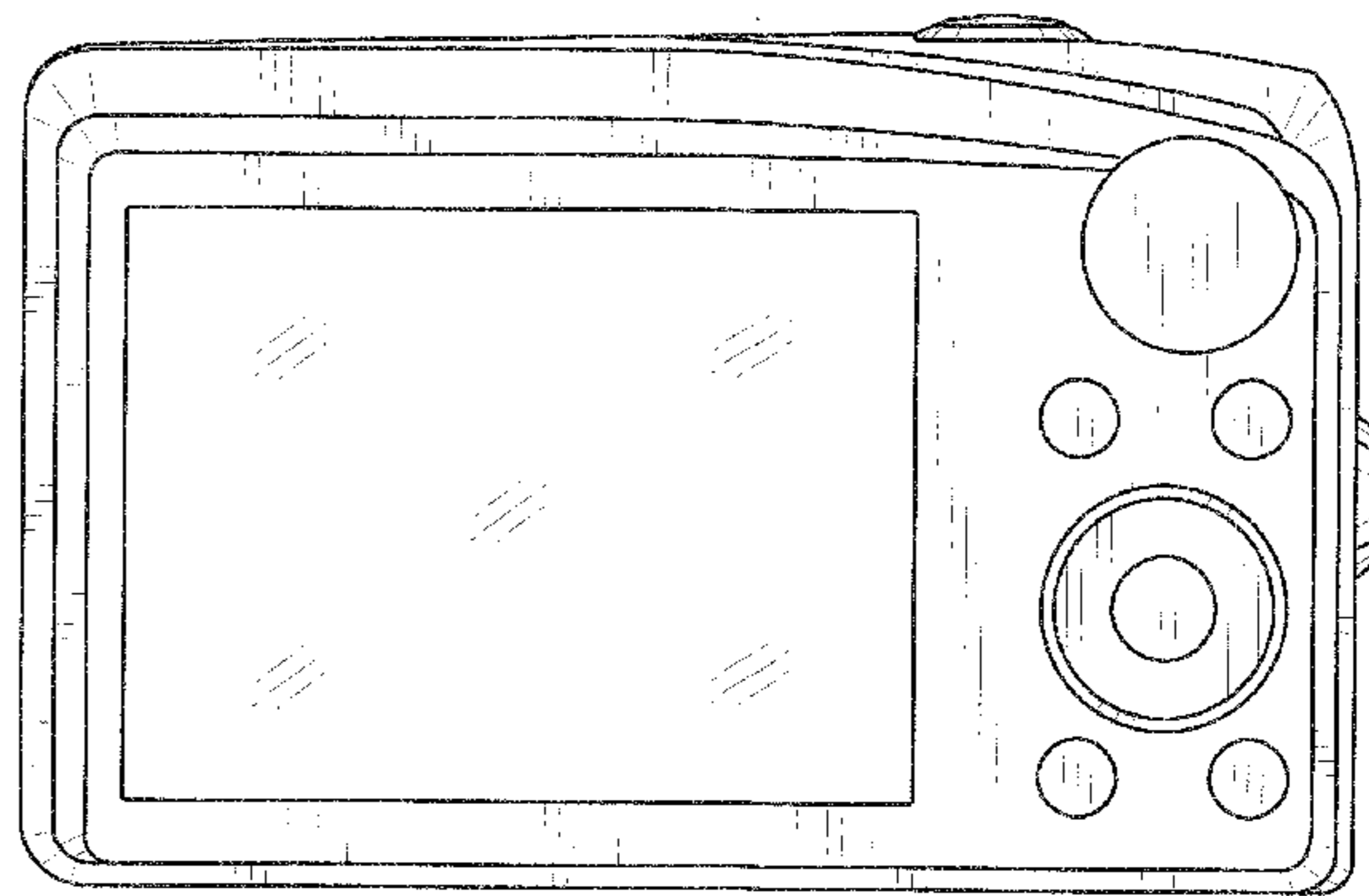
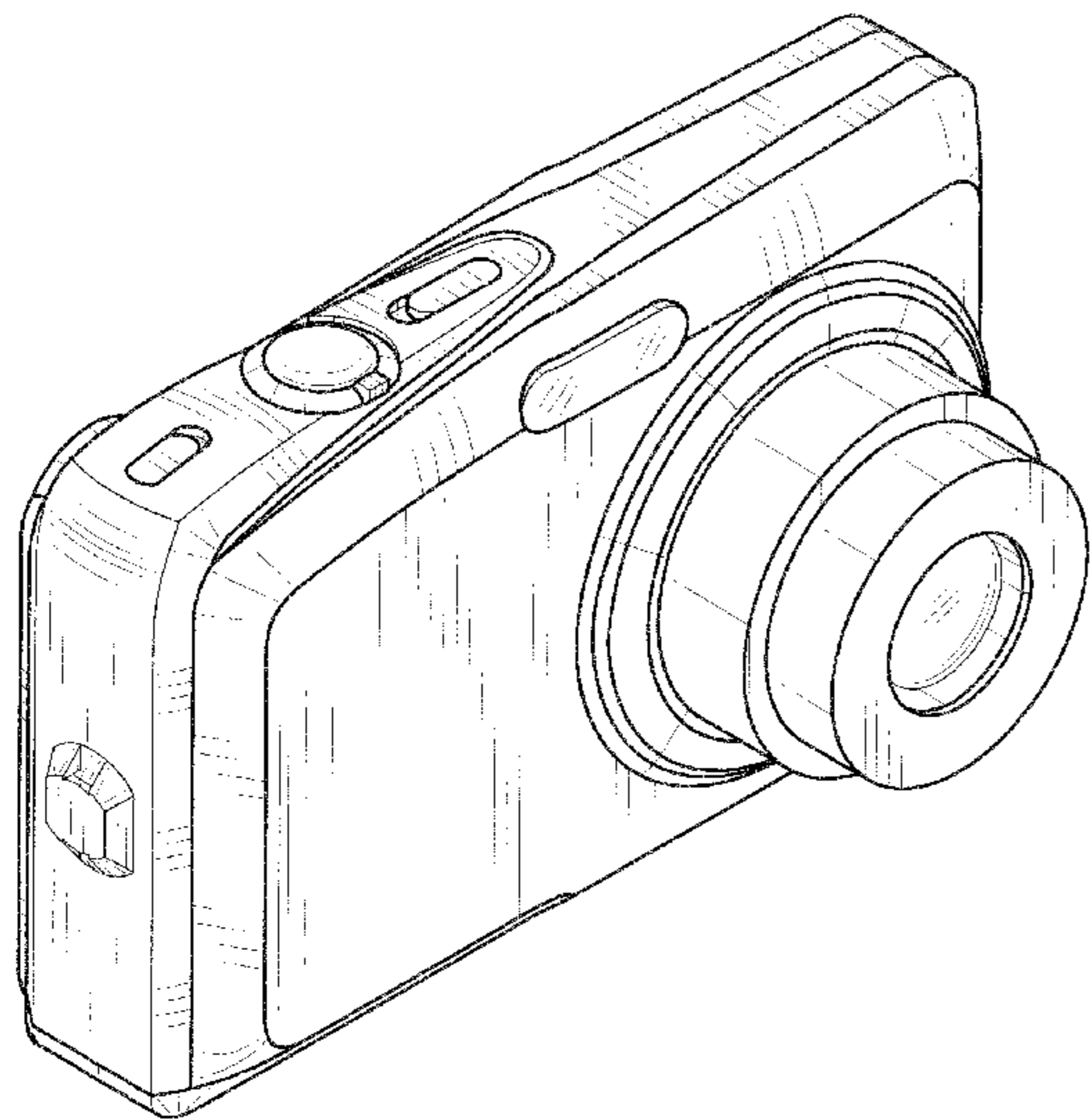


FIG. 1

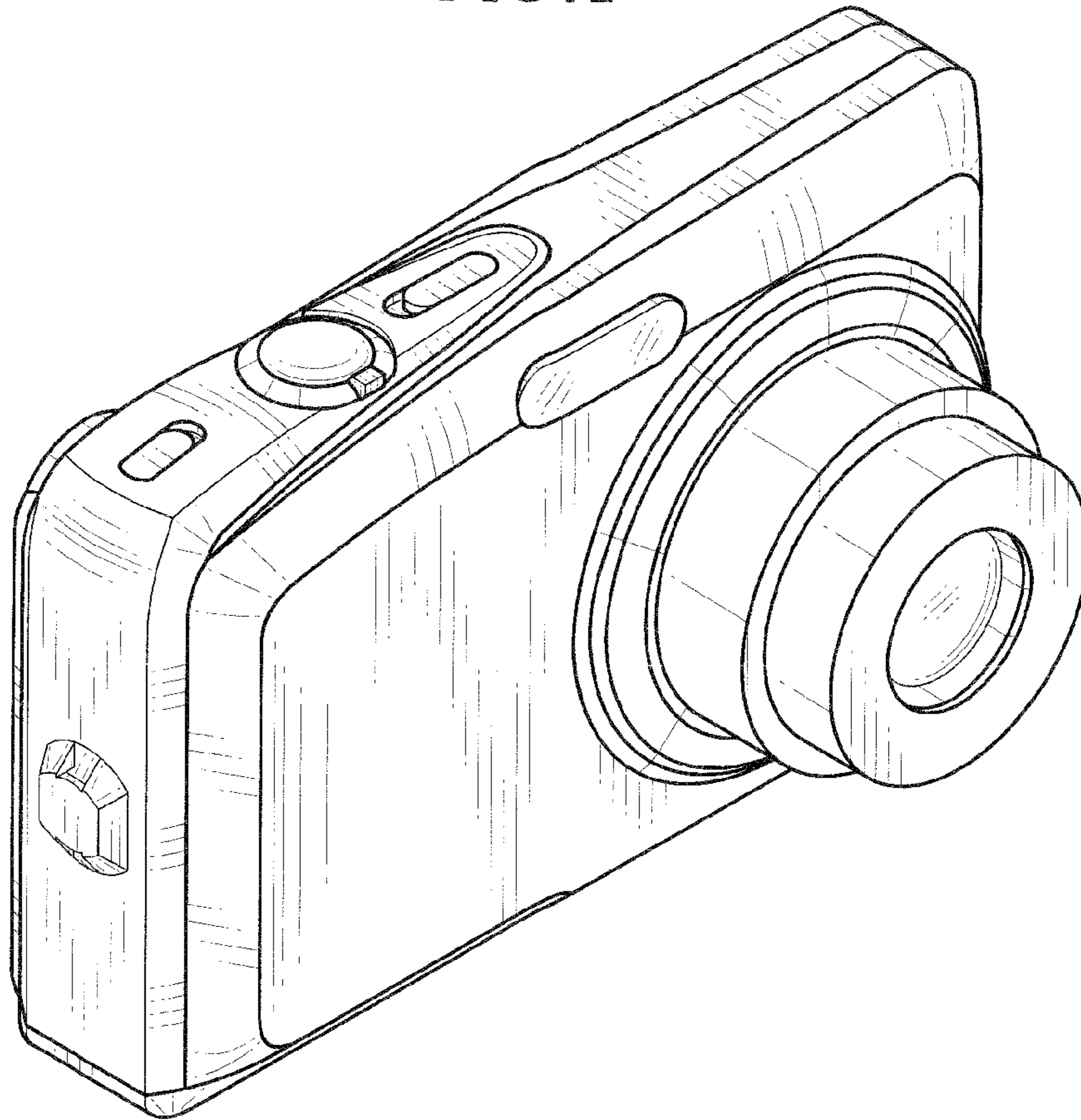


FIG. 2

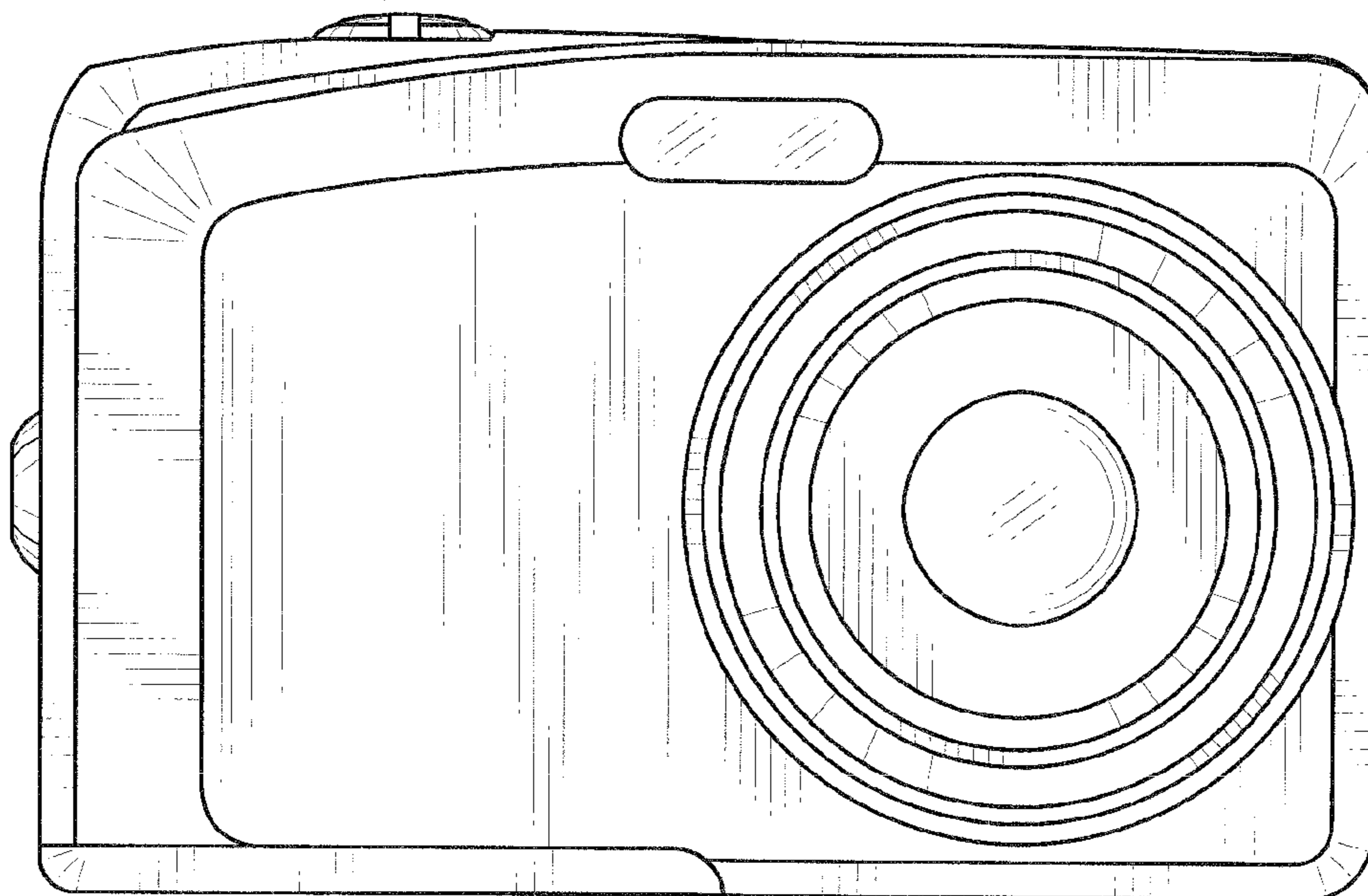


FIG.3

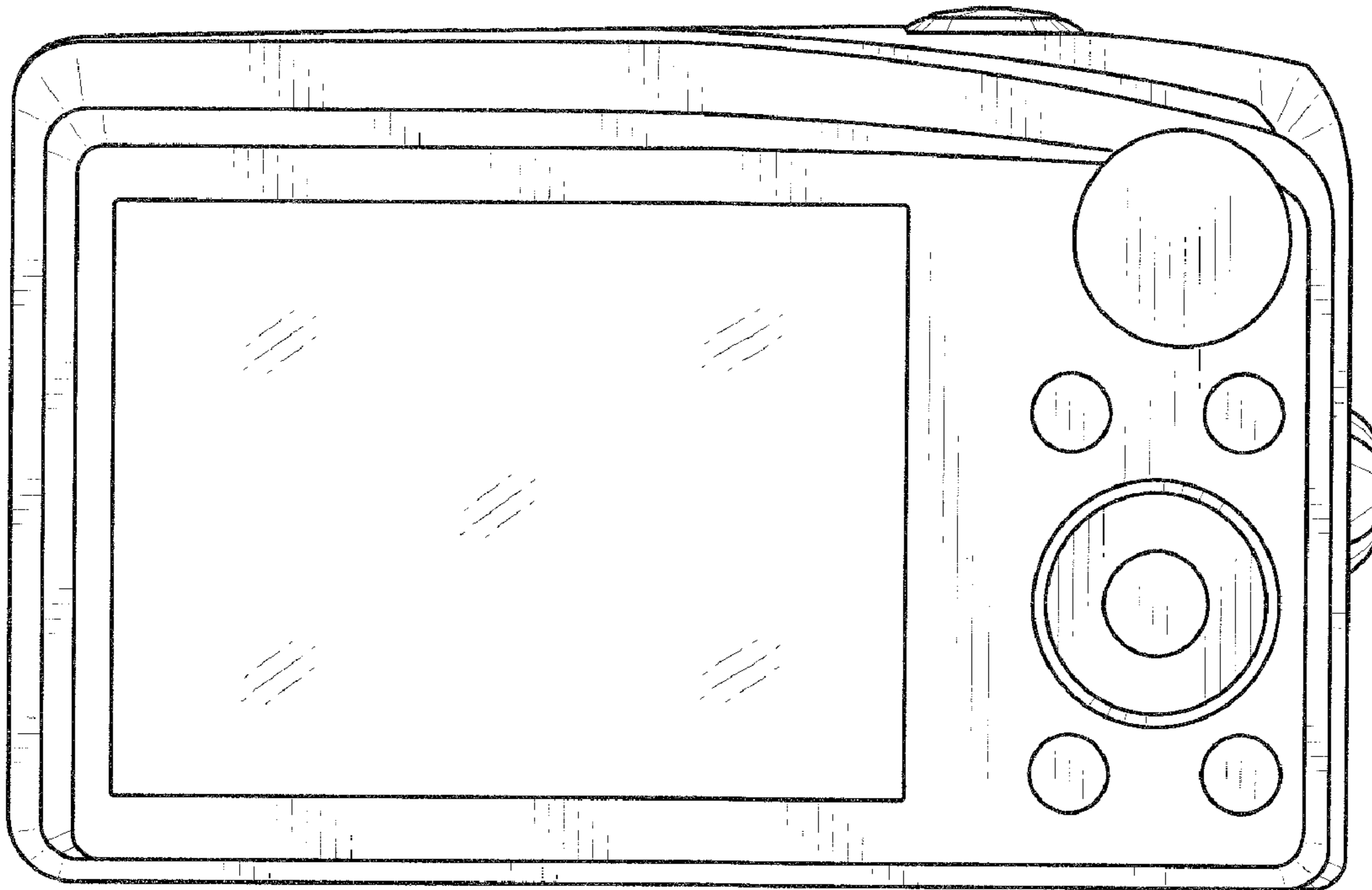


FIG.4

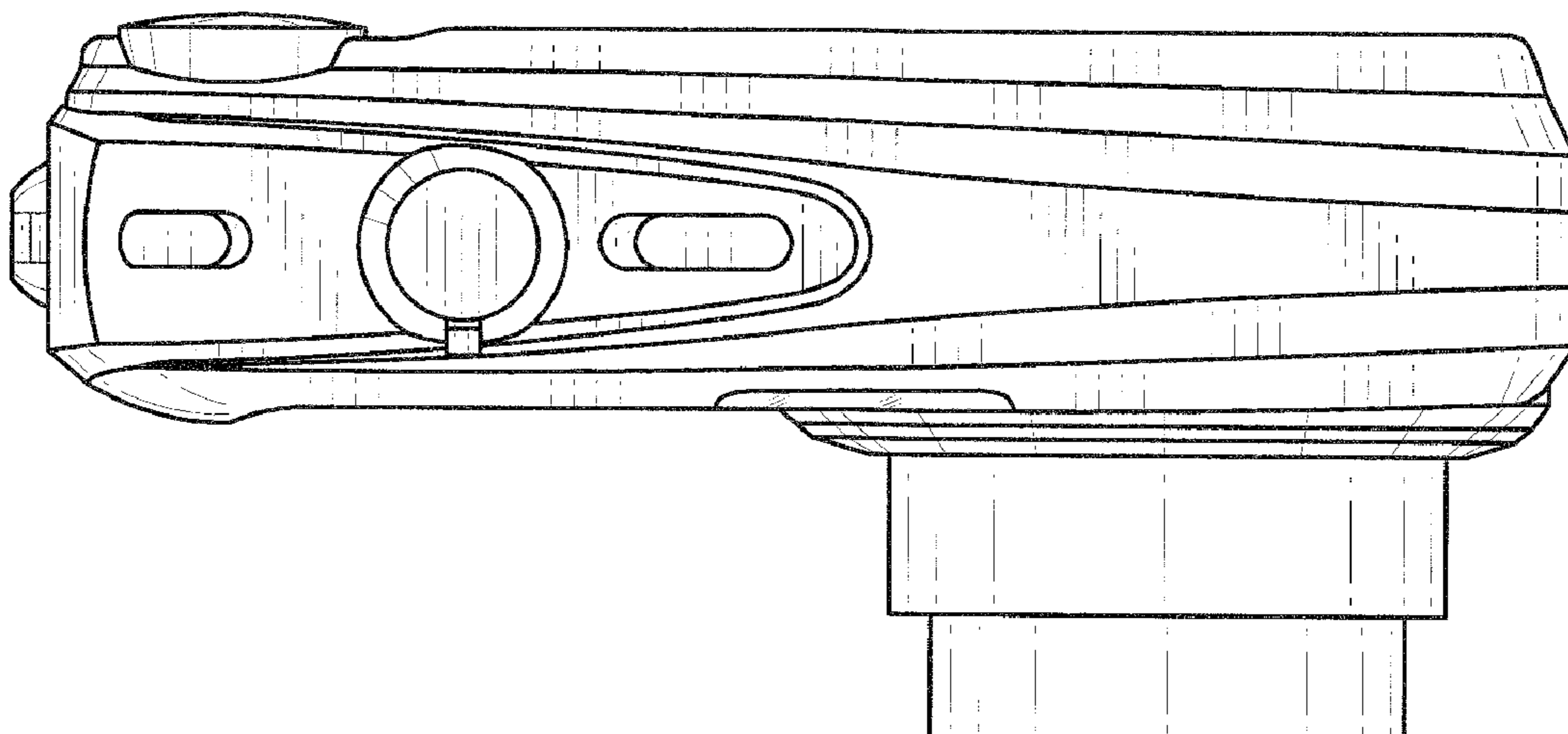


FIG. 5

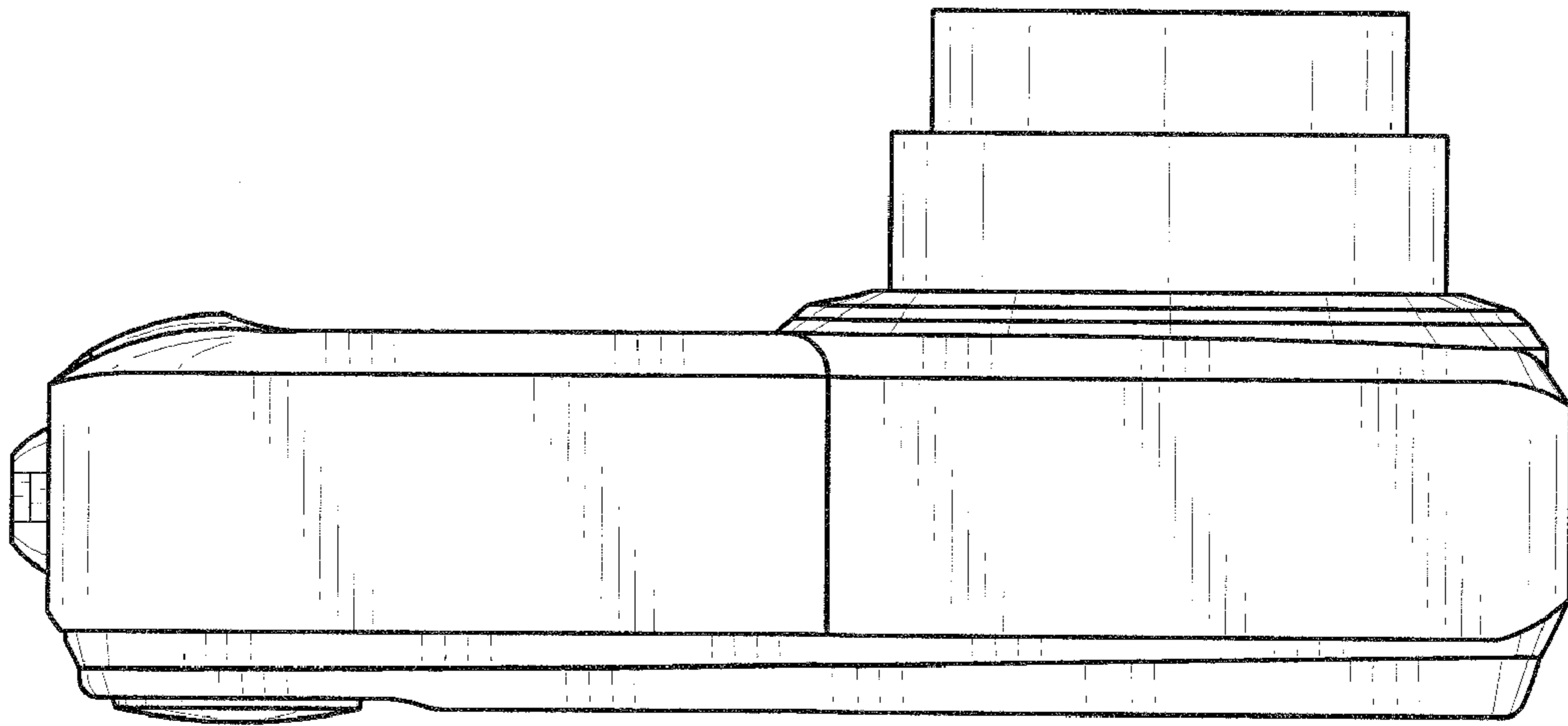


FIG. 6

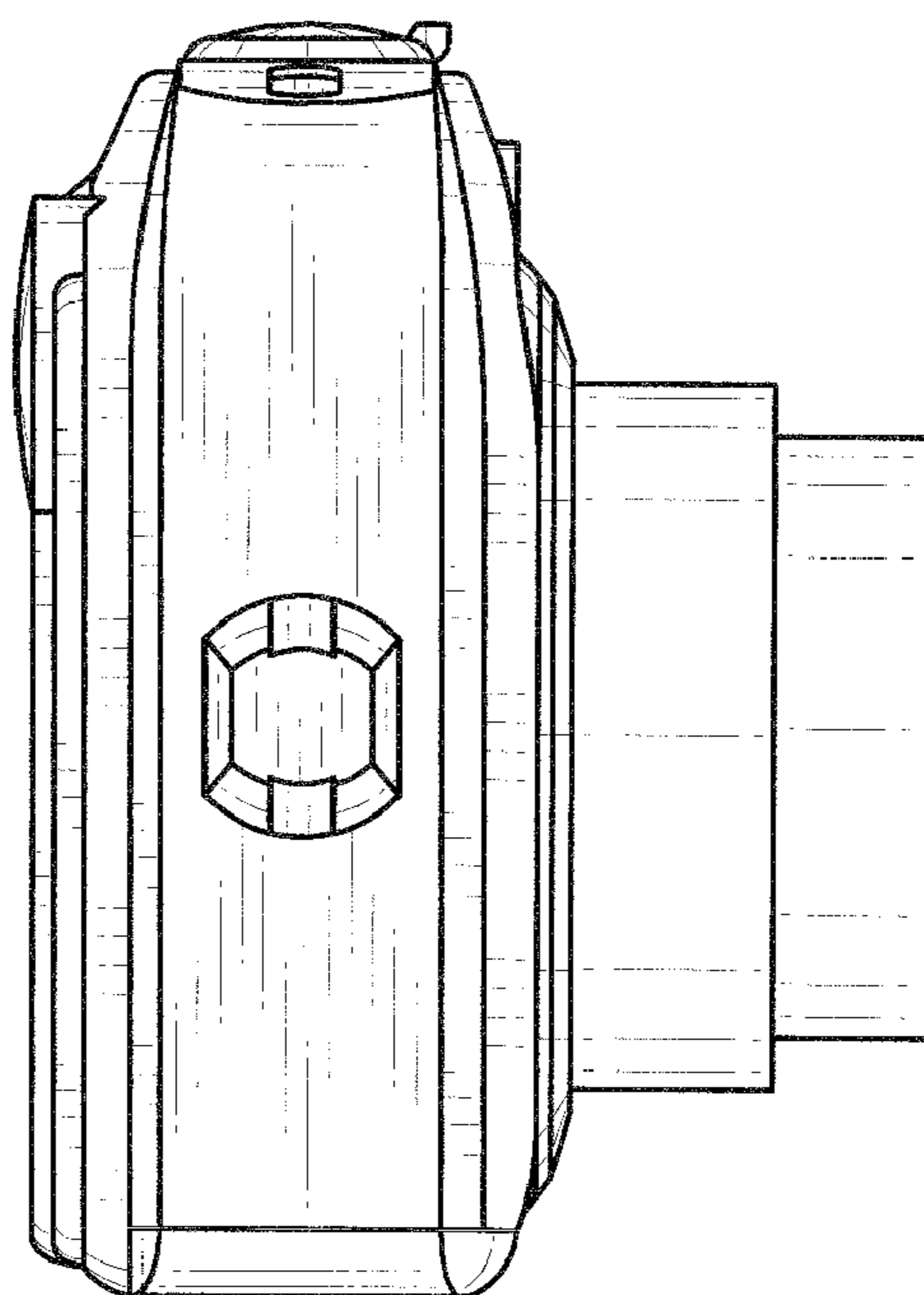


FIG. 7

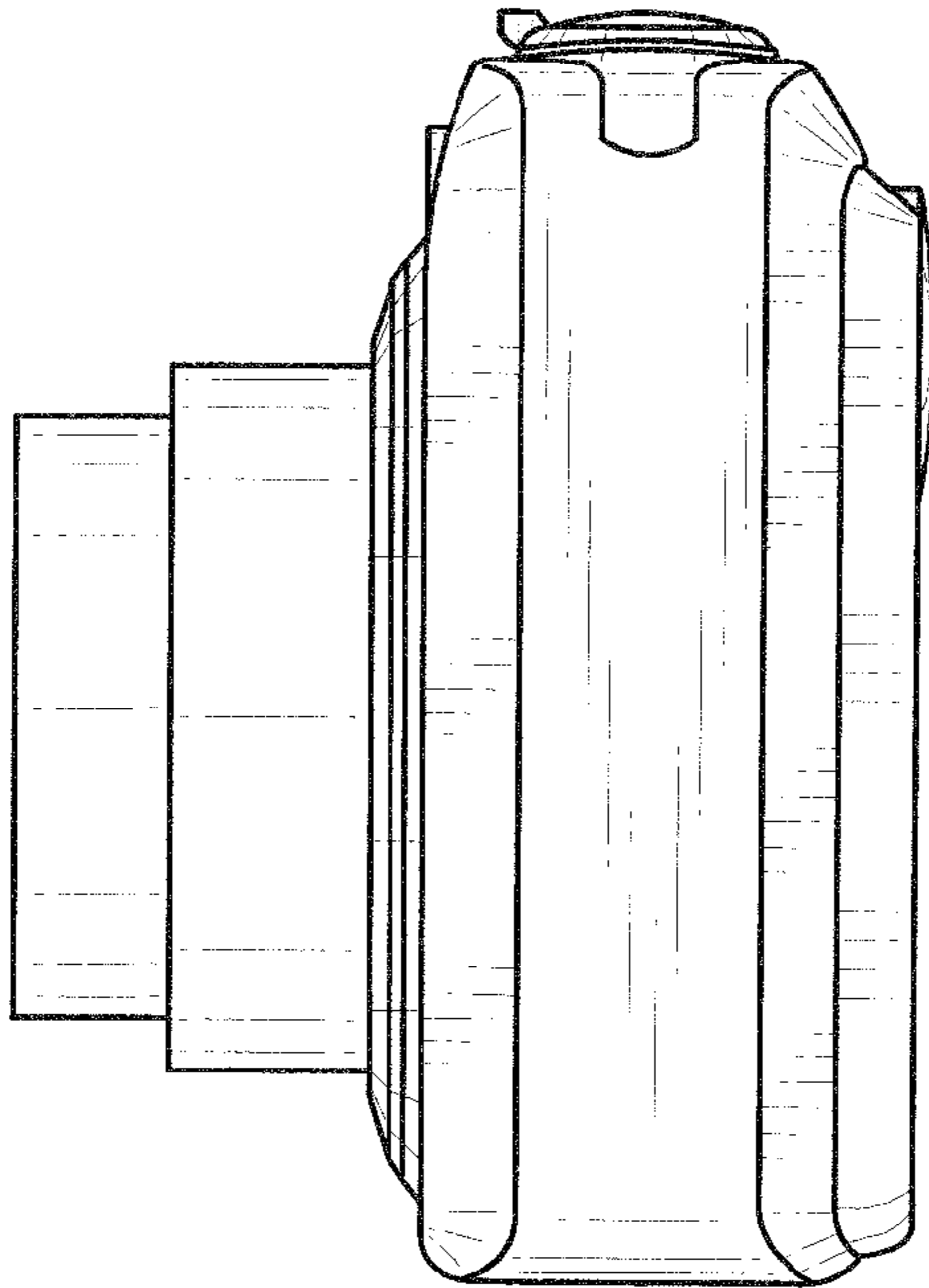


FIG. 8

