



US00D582953S

(12) **United States Design Patent**
Chang

(10) **Patent No.:** **US D582,953 S**

(45) **Date of Patent:** **** Dec. 16, 2008**

(54) **WEB CAM**

(75) Inventor: **Chao-Han Chang**, Taipei (TW)

(73) Assignee: **IPEVO Corp.**, Taipei (TW)

(**) Term: **14 Years**

(21) Appl. No.: **29/274,340**

(22) Filed: **Apr. 18, 2007**

(51) **LOC (8) Cl.** **16-01**

(52) **U.S. Cl.** **D16/202**

(58) **Field of Classification Search** D16/200–205,
D16/208, 218; 248/187.1; 348/14.1–14.01,
348/373–376; 358/906; 396/535–541
See application file for complete search history.

(56) **References Cited**

U.S. PATENT DOCUMENTS

5,224,675	A *	7/1993	Ellenberger et al.	396/427
D359,499	S *	6/1995	Gower et al.	D16/202
D434,057	S *	11/2000	Whitby et al.	D16/202
6,437,826	B1 *	8/2002	Arnold	348/373
6,679,467	B1 *	1/2004	Softness	396/419

D500,511	S *	1/2005	Sybilrud	D16/203
D510,589	S *	10/2005	Andre et al.	D16/202
D545,858	S *	7/2007	Li	D16/202

* cited by examiner

Primary Examiner—Adir Aronovich

(74) *Attorney, Agent, or Firm*—Bacon & Thomas, PLLC

(57) **CLAIM**

The ornamental design for a web cam, as shown and described.

DESCRIPTION

FIG. 1 is a perspective view of a web cam in accordance with my design;

FIG. 2 is a front view thereof;

FIG. 3 is a rear view thereof;

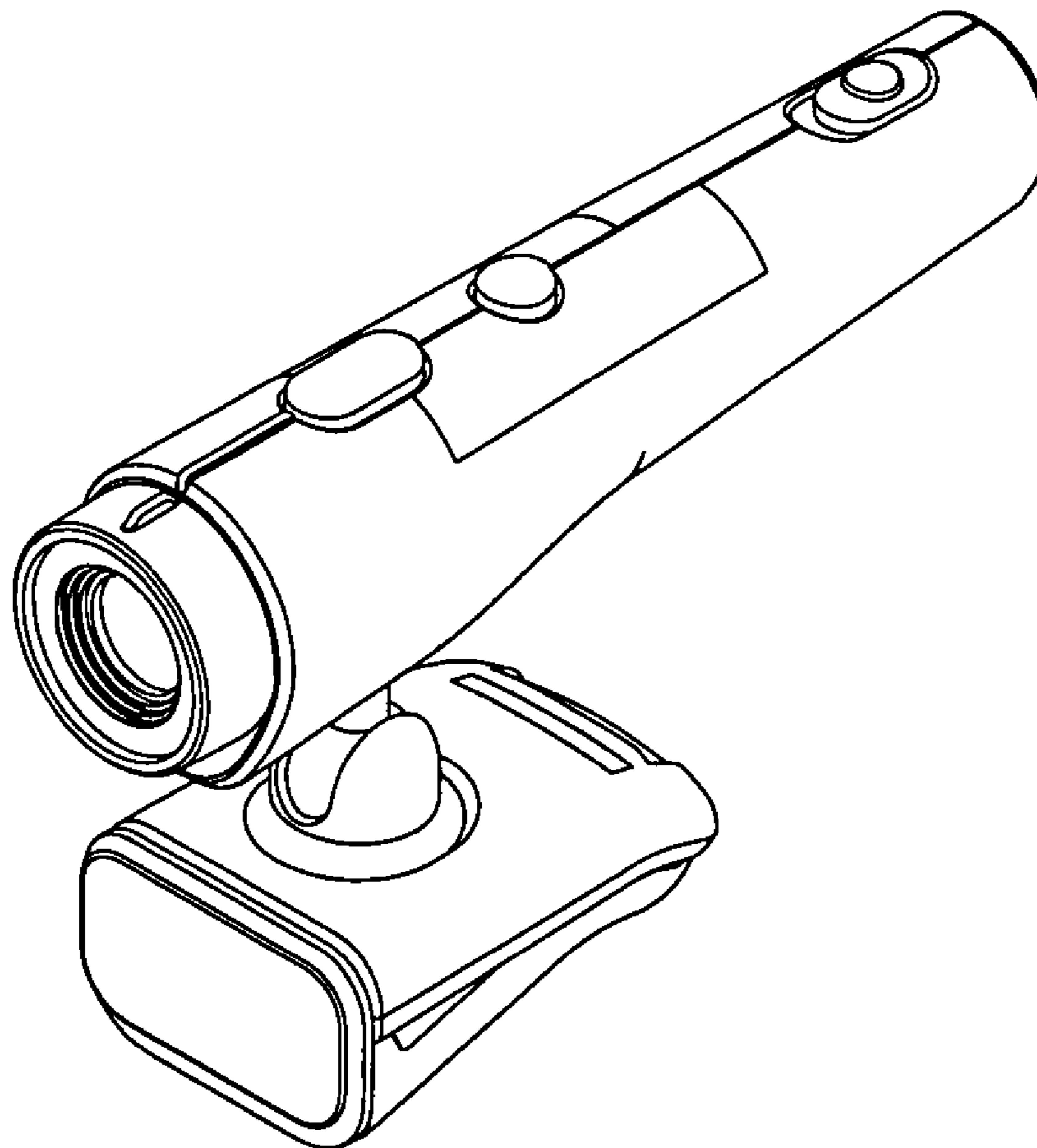
FIG. 4 is a left view thereof;

FIG. 5 is a right view thereof;

FIG. 6 is a top view thereof; and,

FIG. 7 is a bottom view thereof.

1 Claim, 3 Drawing Sheets



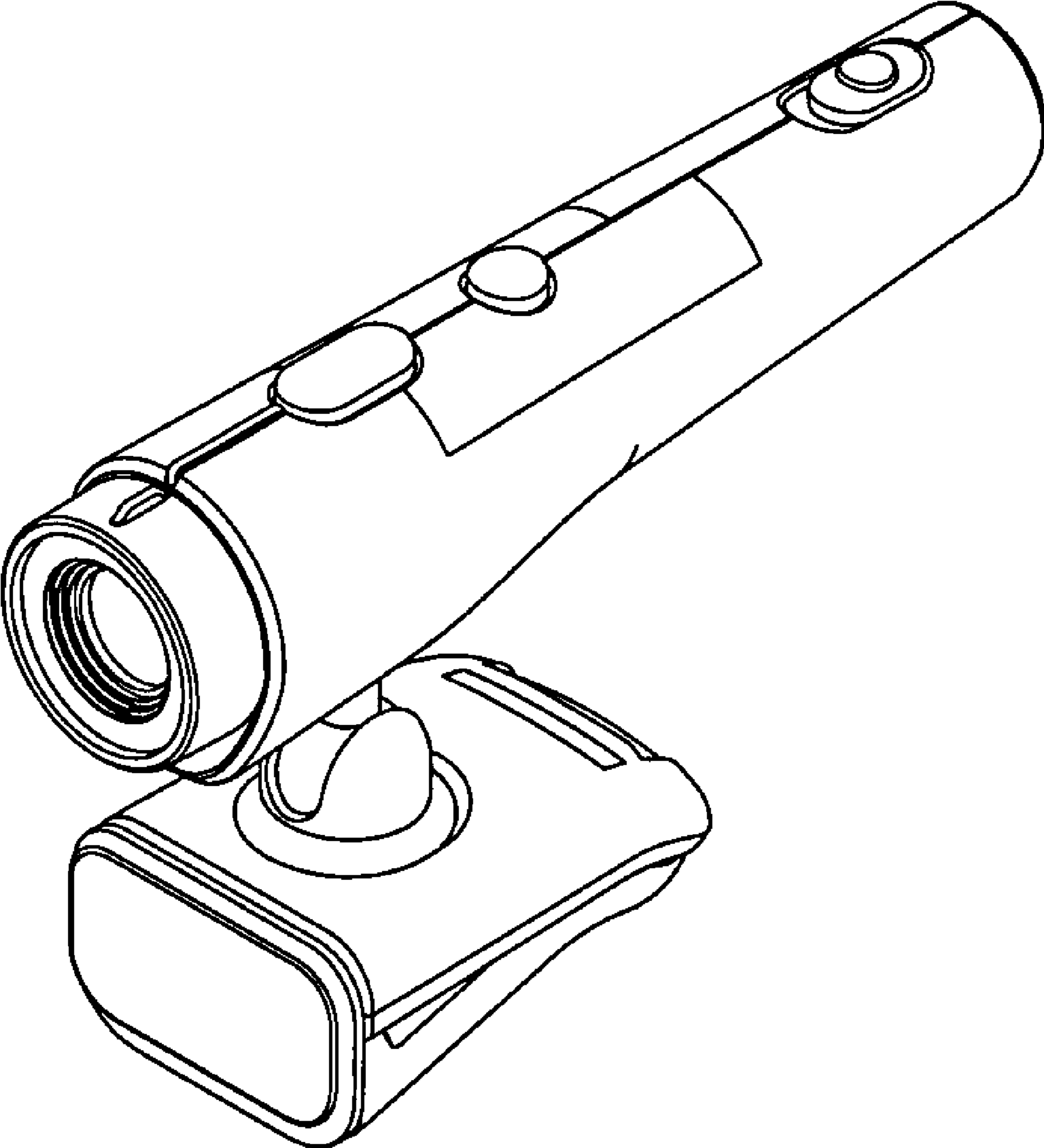


FIG. 1

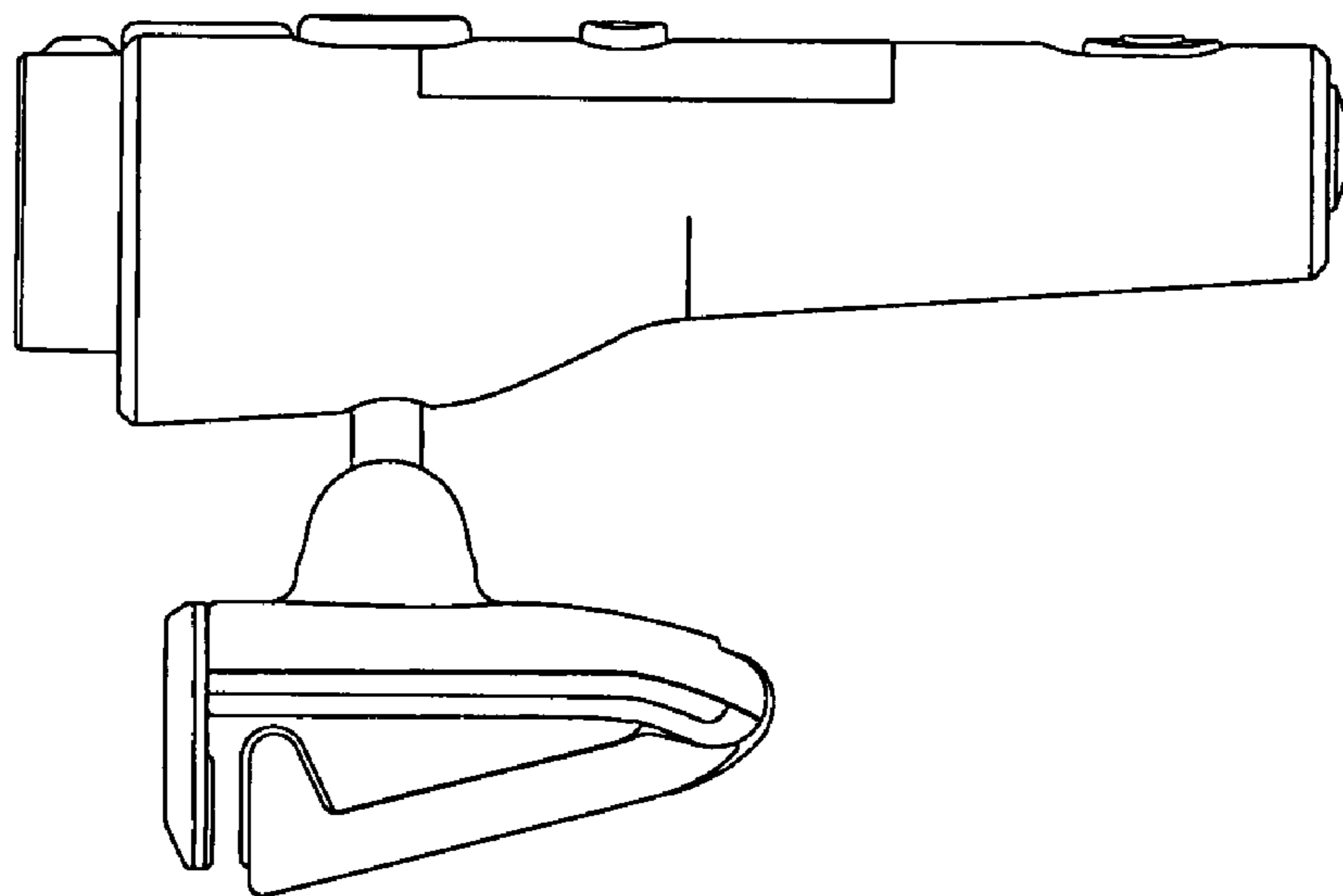


FIG. 2

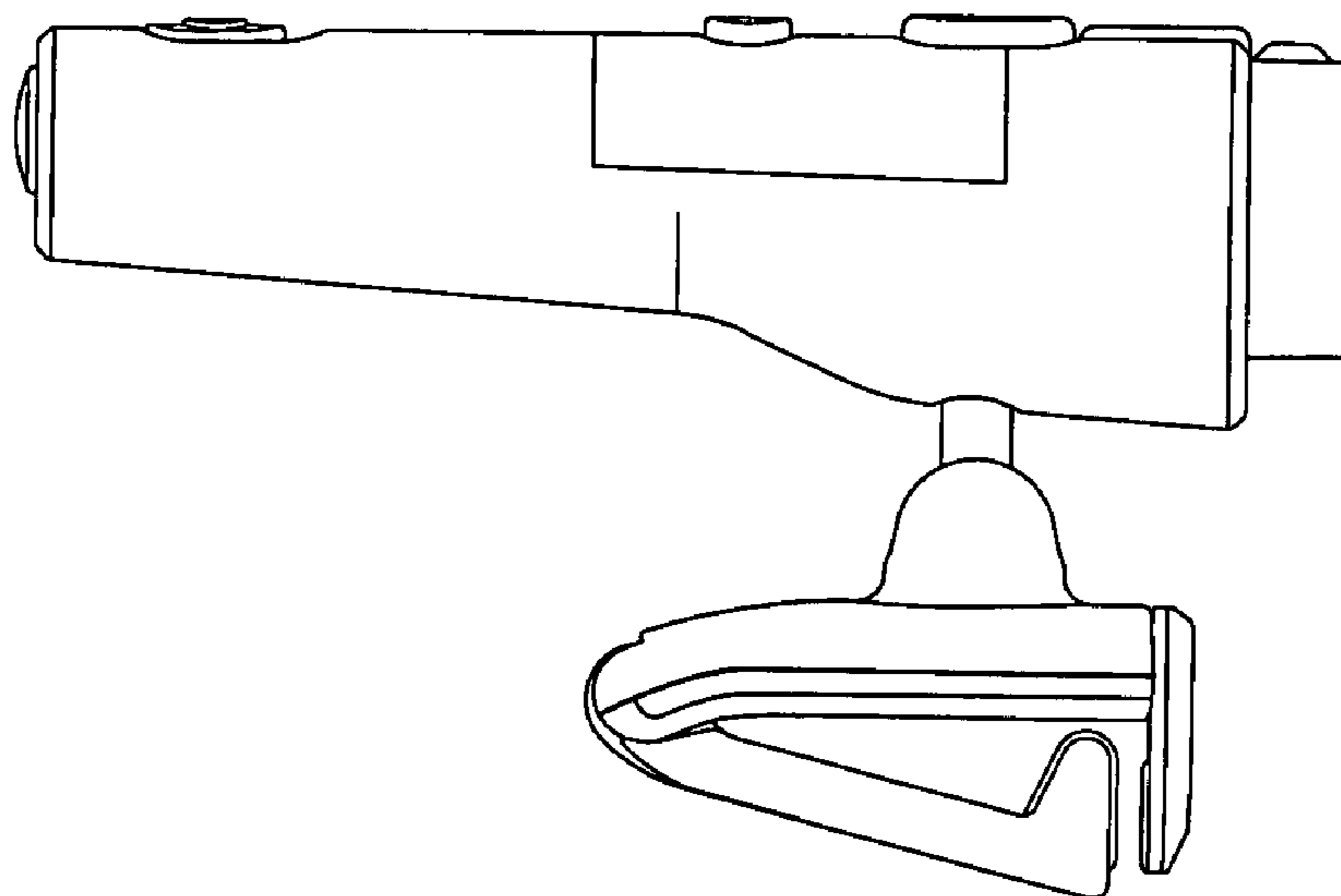


FIG. 3

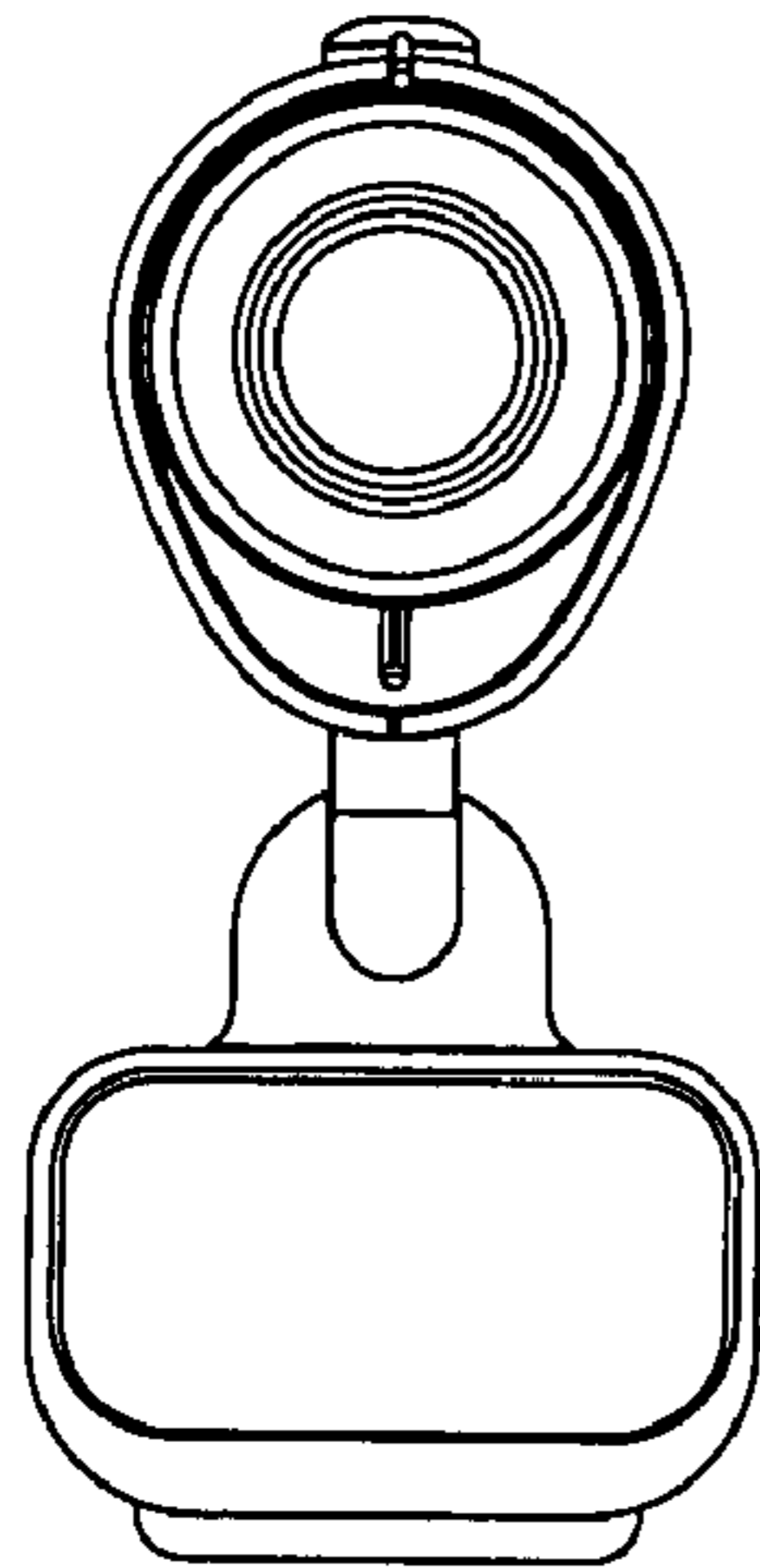


FIG. 4

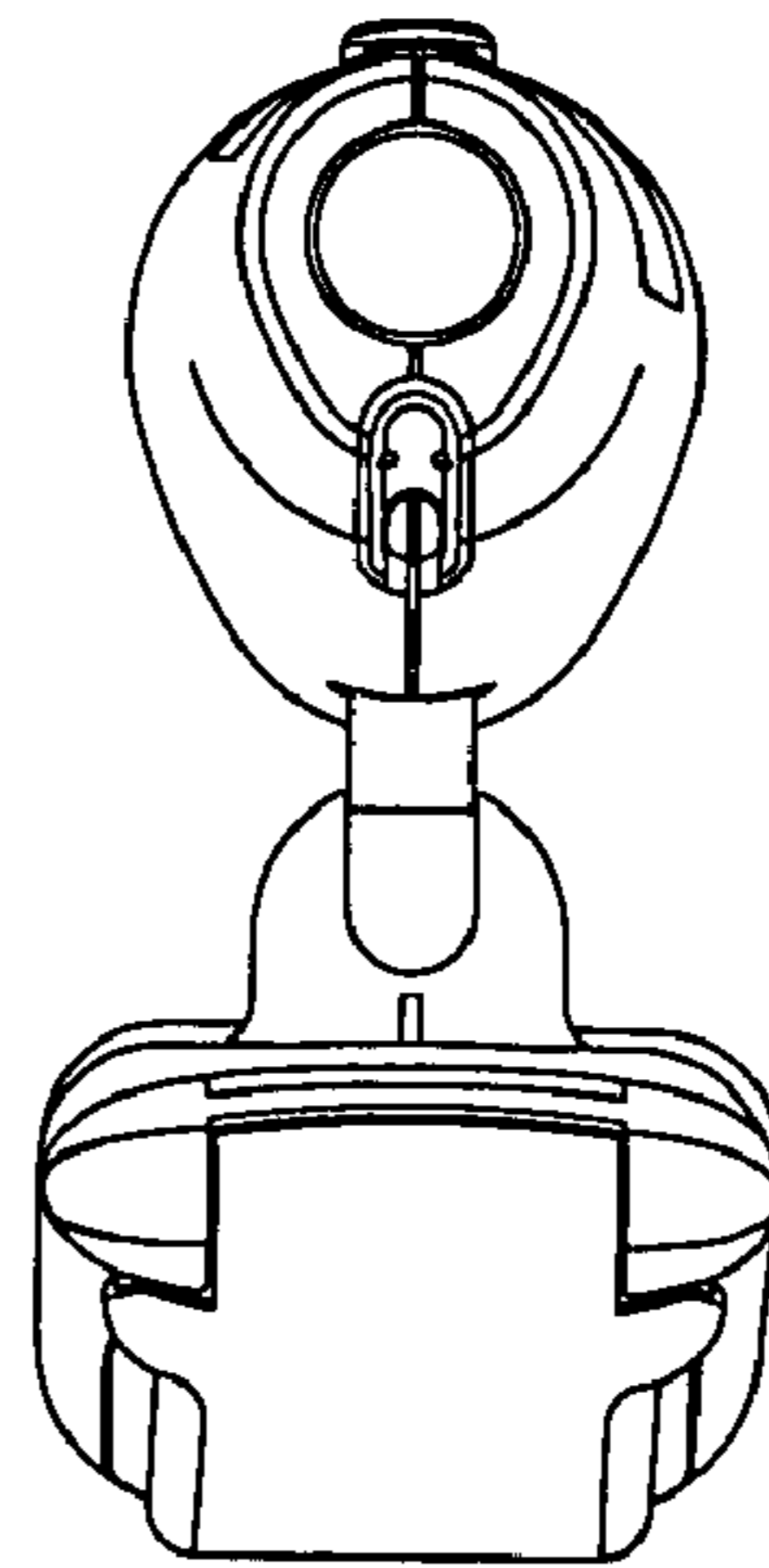


FIG. 5

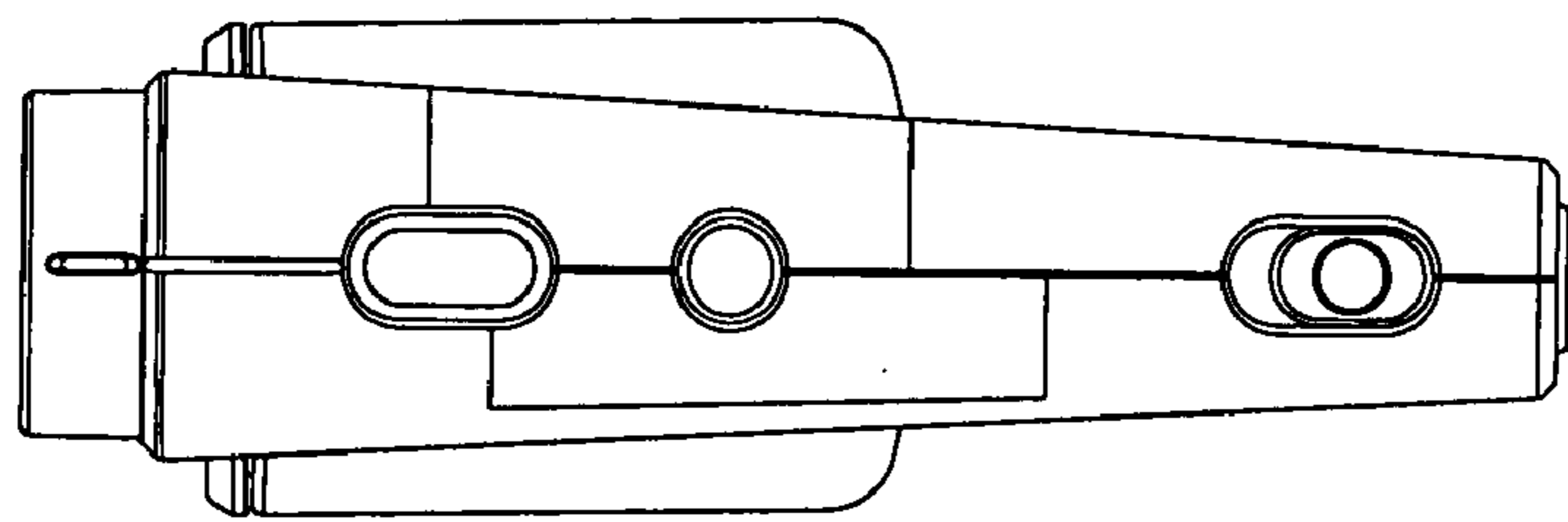


FIG. 6

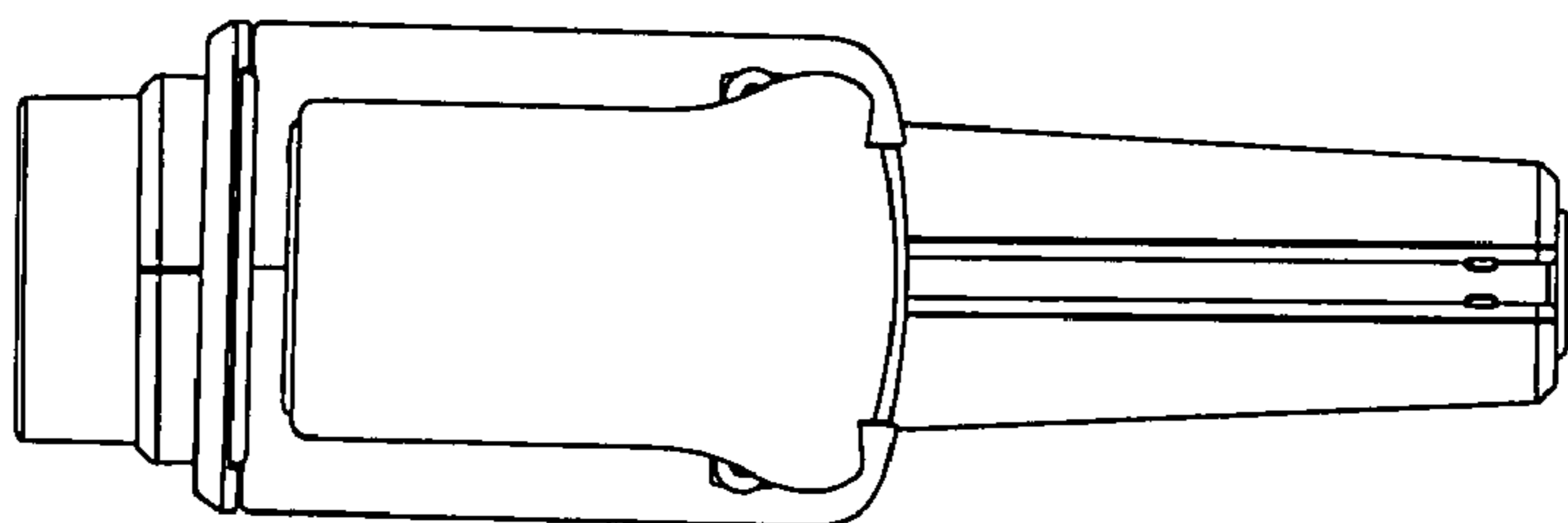


FIG. 7