



US00D582952S

(12) **United States Design Patent**
Yamaguchi et al.

(10) **Patent No.:** **US D582,952 S**
(45) **Date of Patent:** **** Dec. 16, 2008**

(54) **NOZZLE FOR PLASMA CUTTING MACHINE**

(75) Inventors: **Yoshihiro Yamaguchi**, Nomi (JP);
Kazuhiro Kuraoka, Nomi (JP)

(73) Assignee: **Komatsu Industries Corporation**,
Komatsu-Shi, Ishikawa (JP)

(**) Term: **14 Years**

(21) Appl. No.: **29/300,891**

(22) Filed: **May 27, 2008**

(30) **Foreign Application Priority Data**

Apr. 24, 2008 (JP) 2008-010513

(51) **LOC (8) Cl.** **15-09**

(52) **U.S. Cl.** **D15/144**

(58) **Field of Classification Search** D8/70,
D8/71; D15/144, 144.1, 144.2; 219/76,
219/121.4–121.5, 121.47, 121.48, 121.51,
219/121.52, 121.57

See application file for complete search history.

(56) **References Cited**

U.S. PATENT DOCUMENTS

- D138,408 S * 8/1944 Nellis D8/71
- D259,855 S * 7/1981 Derbyshire D8/68
- D278,245 S * 4/1985 Smith D15/140
- D282,666 S * 2/1986 Salmi et al. D15/138
- 5,060,983 A * 10/1991 Lee 285/39
- D328,241 S * 7/1992 Longstreet D8/383
- D332,040 S * 12/1992 Hoshino et al. D8/70
- D342,660 S * 12/1993 Chapin D8/83
- D342,688 S * 12/1993 Jackson D10/85
- D362,860 S * 10/1995 Carkhuff D15/144
- D365,345 S * 12/1995 Carkhuff D15/144
- D366,051 S * 1/1996 Lewis et al. D15/138
- D369,648 S * 5/1996 Fowler D23/213
- D376,536 S * 12/1996 Maxwell et al. D9/693
- D379,577 S * 6/1997 Carkhuff D8/30

- 5,726,415 A * 3/1998 Luo et al. 219/121.48
- 5,747,767 A * 5/1998 Severance et al. 219/121.5
- D407,728 S * 4/1999 Miyamoto D16/134
- D421,483 S * 3/2000 Patrick D23/226
- D426,524 S * 6/2000 Abed et al. D13/199
- D441,295 S * 5/2001 Krich D9/542
- D446,231 S * 8/2001 Kuraoka et al. D15/144
- D451,113 S * 11/2001 Shintani et al. D15/144
- 6,318,410 B1 * 11/2001 Miyajima et al. 138/109
- D479,456 S * 9/2003 Murray et al. D8/68
- D491,021 S * 6/2004 Webb D7/531
- D493,183 S * 7/2004 Hewett et al. D15/144
- D497,373 S * 10/2004 Hewett et al. D15/144
- D499,124 S * 11/2004 Kuraoka et al. D15/144

(Continued)

FOREIGN PATENT DOCUMENTS

- JP 1098824 S 1/2001
- JP 1209868 S 6/2004

Primary Examiner—Patricia Palasik
(74) *Attorney, Agent, or Firm*—Manabu Kanesaka

(57) **CLAIM**

The ornamental design for a nozzle for plasma cutting machine, as shown and described.

DESCRIPTION

FIG. 1 is a perspective view of a nozzle for plasma cutting machine showing our new design;

FIG. 2 is a front view thereof, a rear view being symmetrical to the front view;

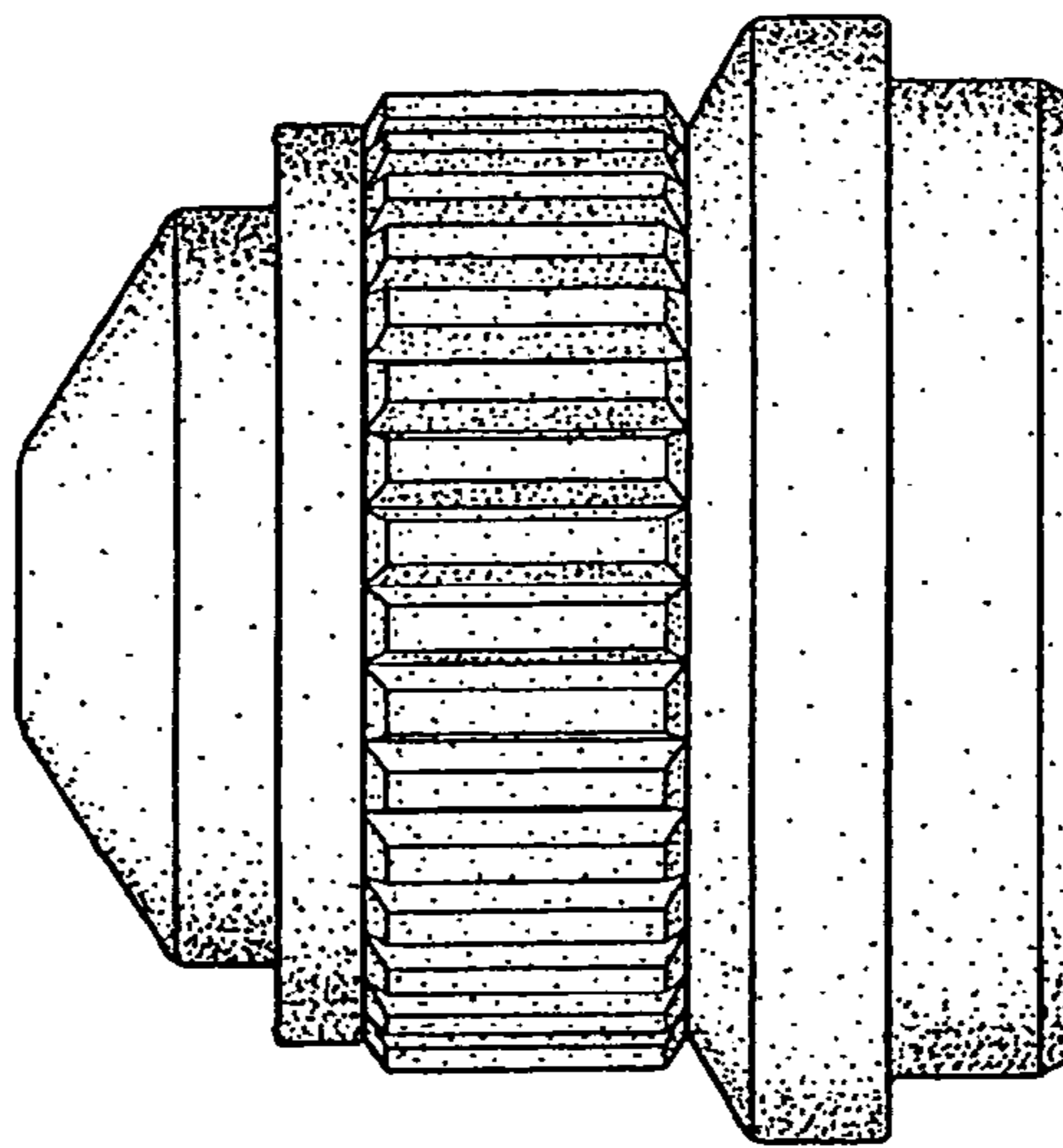
FIG. 3 is a bottom plan view thereof;

FIG. 4 is a top plan view thereof;

FIG. 5 is a left side view thereof, a right side view being the same as the left side view; and,

FIG. 6 is a sectional view thereof taken along line 6—6 in FIG. 4.

1 Claim, 3 Drawing Sheets



US D582,952 S

Page 2

U.S. PATENT DOCUMENTS

D500,064 S	*	12/2004	Kuraoka et al.	D15/144	D555,181 S	*	11/2007	Hu	D15/140
D506,764 S	*	6/2005	Kuraoka et al.	D15/144	D565,928 S	*	4/2008	Bellerose et al.	D8/316
D517,577 S	*	3/2006	Conway et al.	D15/144	2002/0006309 A1	*	1/2002	Bartholoma et al.	403/194
D519,137 S	*	4/2006	Furujo et al.	D15/144	2002/0125220 A1	*	9/2002	Augeraud et al.	219/121.5
D522,026 S	*	5/2006	Colson, Jr.	D15/144	2002/0145260 A1	*	10/2002	Komine et al.	279/20
D526,383 S	*	8/2006	Byerly	D23/209	2004/0079735 A1	*	4/2004	Kinerson et al.	219/121.48
D527,401 S	*	8/2006	Mizuno et al.	D15/144	2004/0169018 A1	*	9/2004	Brasseur et al.	219/121.5

* cited by examiner

Fig. 1

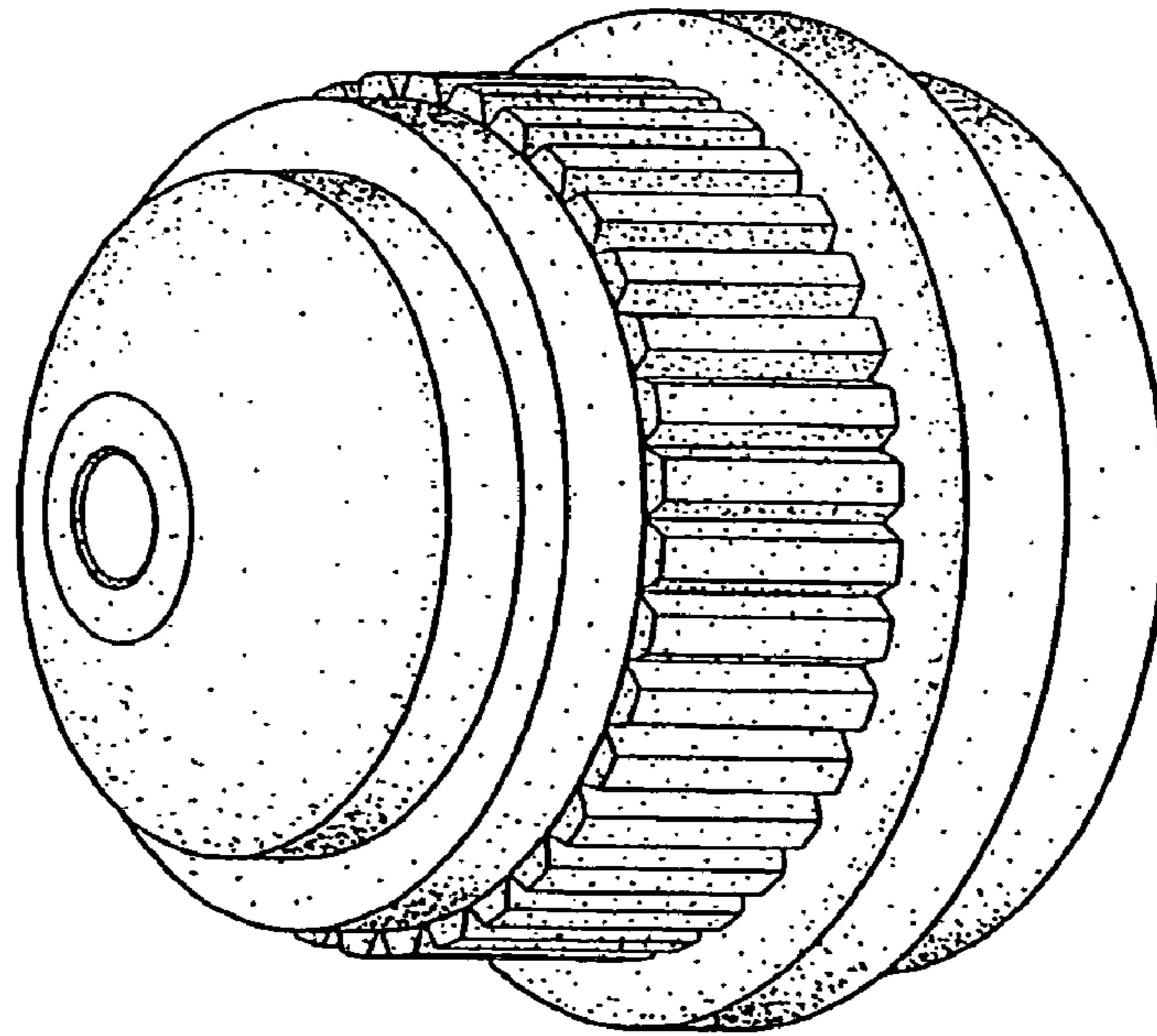


Fig. 2

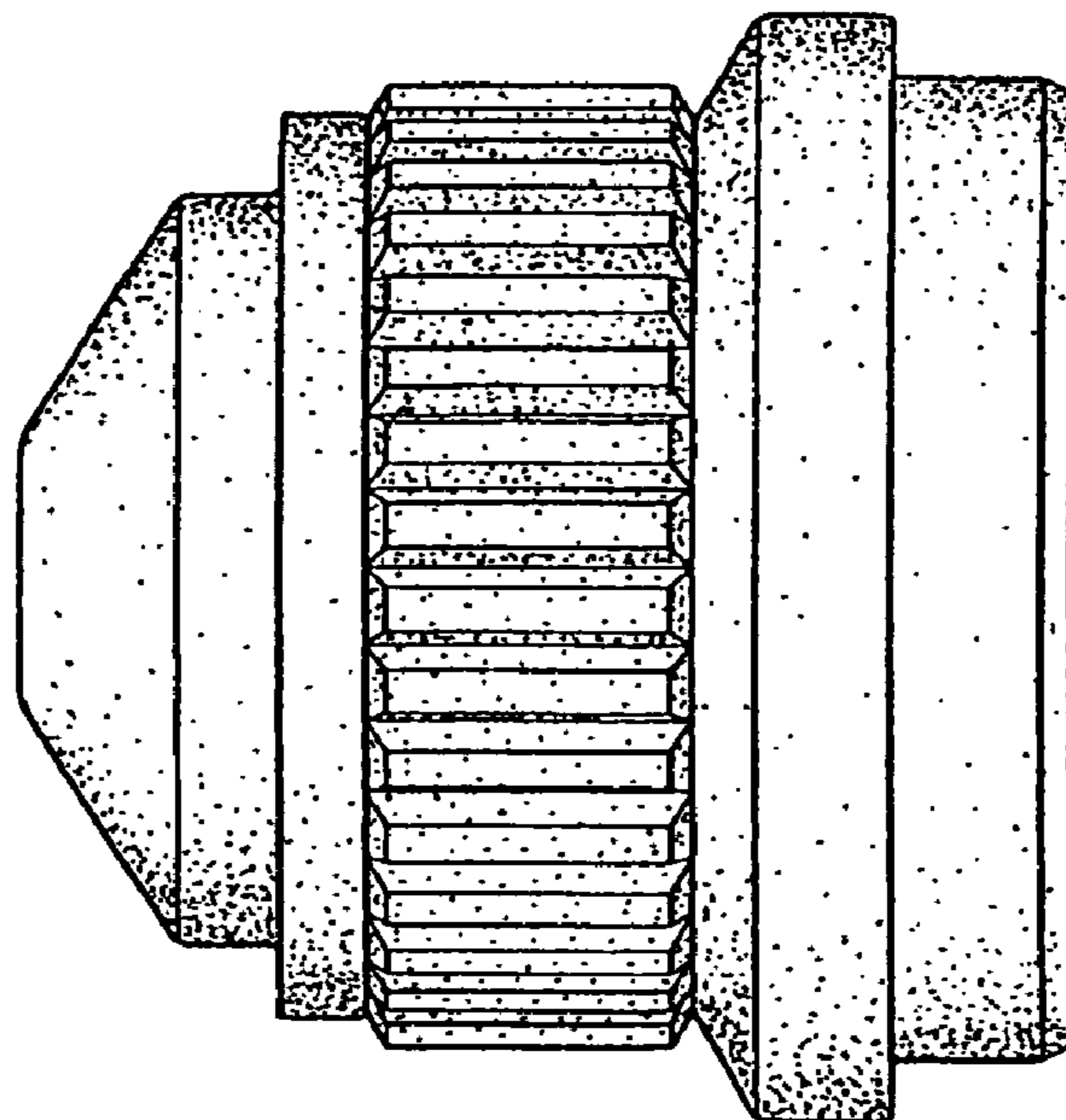


Fig. 3

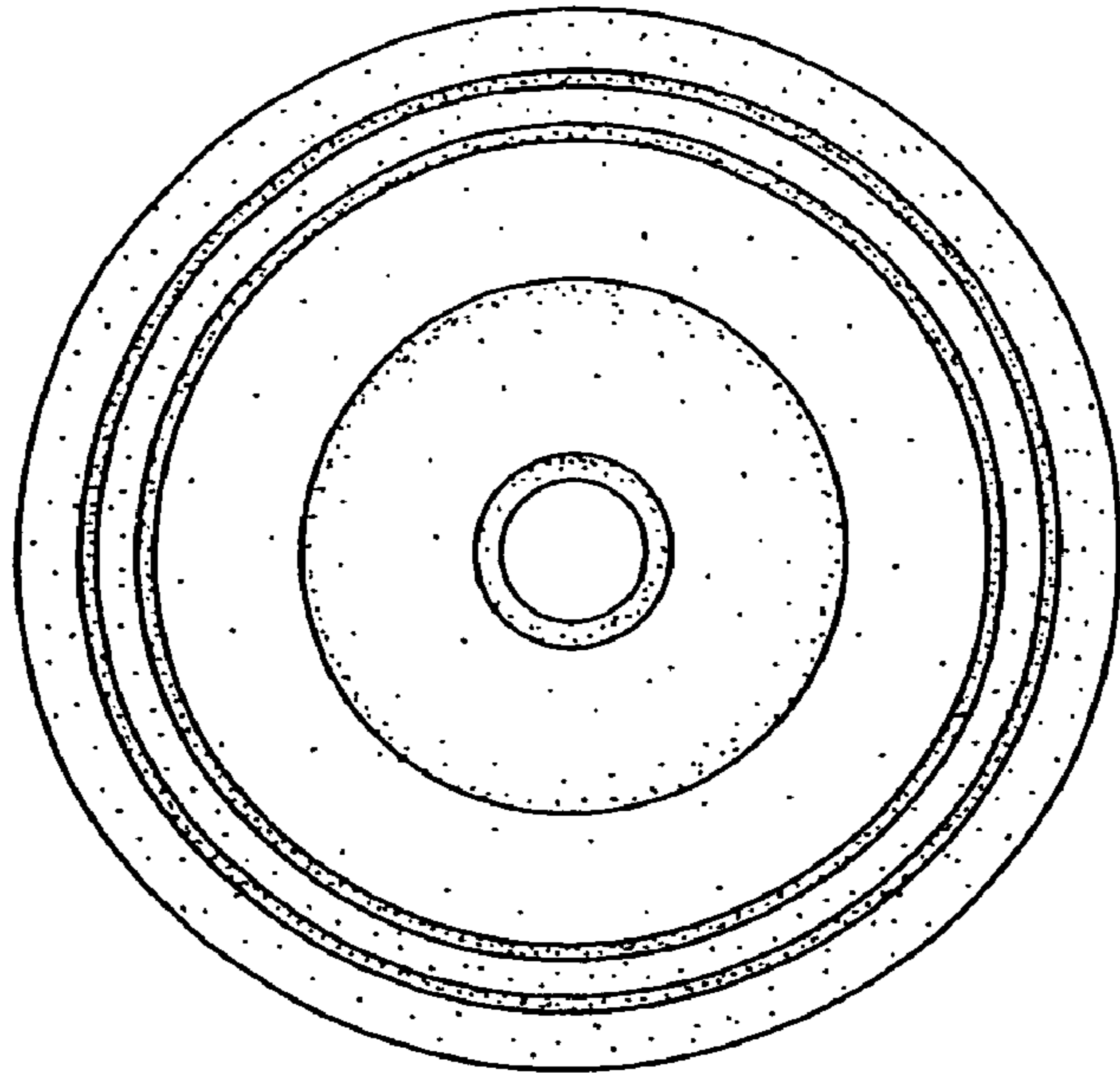


Fig. 4

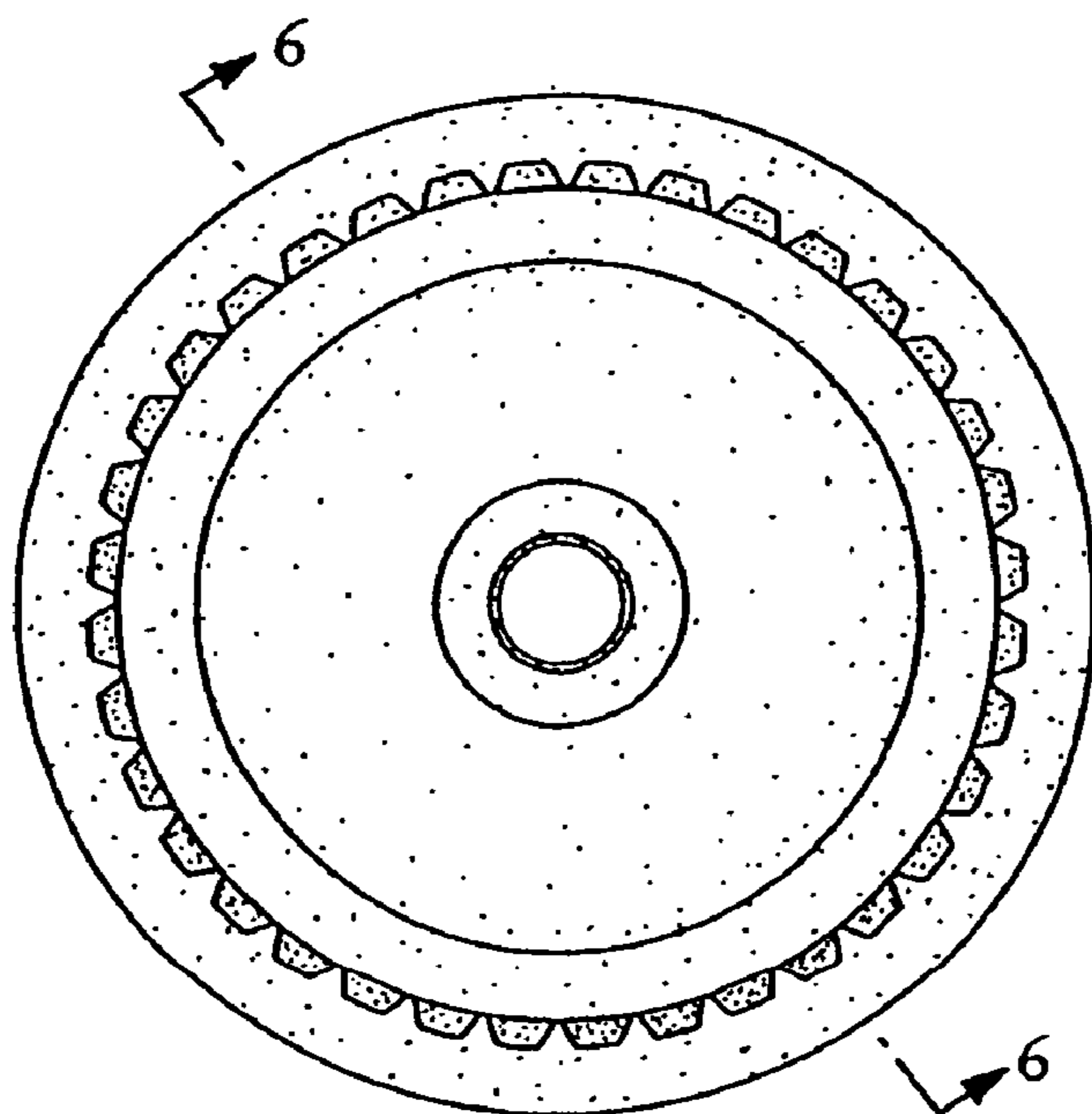


Fig. 5

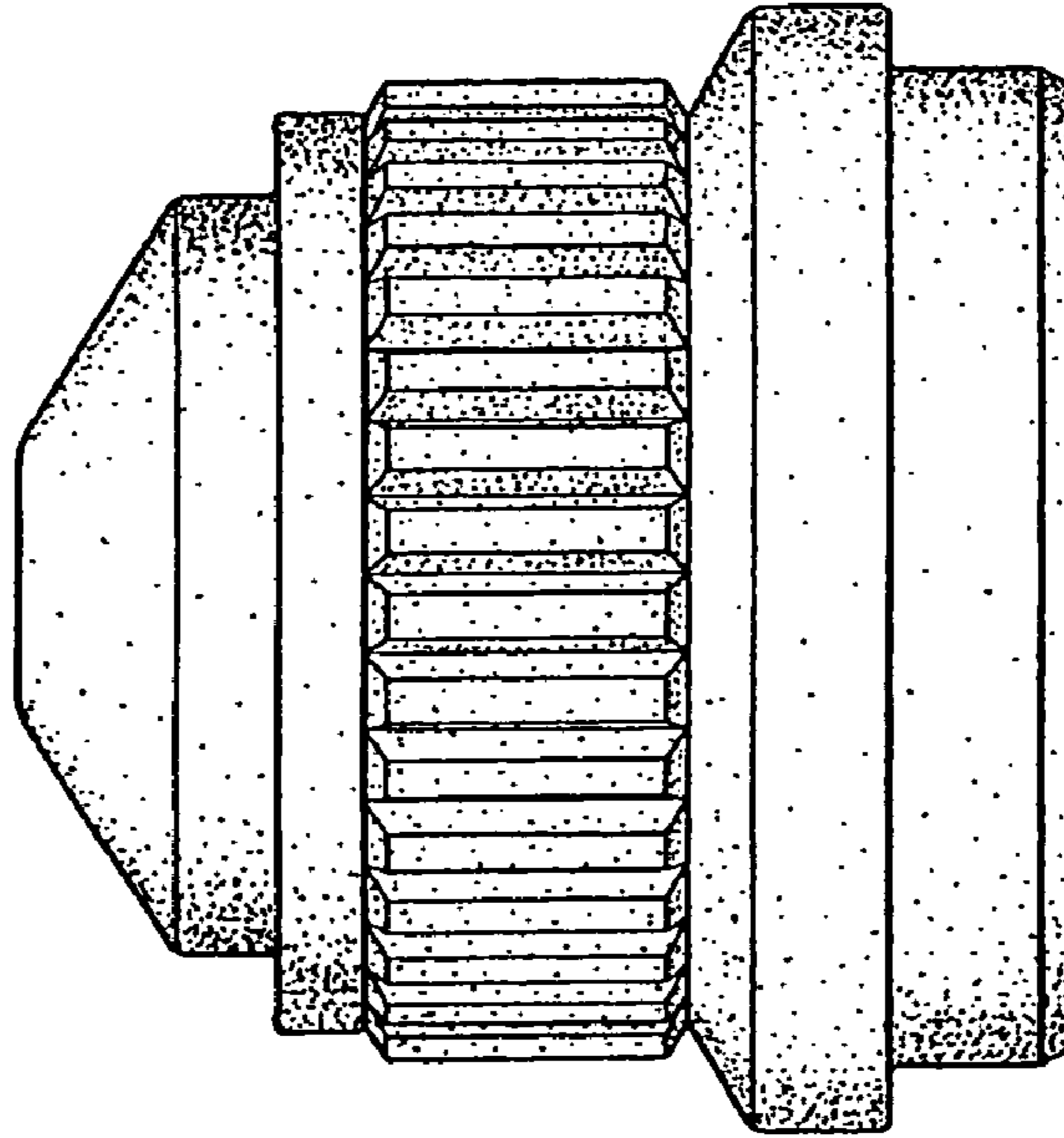


Fig. 6

