



US00D582950S

(12) **United States Design Patent**
Yamaguchi et al.

(10) **Patent No.:** **US D582,950 S**
(45) **Date of Patent:** **** Dec. 16, 2008**

(54) **NOZZLE FOR PLASMA CUTTING MACHINE**

(75) Inventors: **Yoshihiro Yamaguchi**, Nomi (JP);
Kazuhiro Kuraoka, Nomi (JP)

(73) Assignee: **Komatsu Industries Corporation**,
Komatsu-Shi, Ishikawa (JP)

(**) Term: **14 Years**

(21) Appl. No.: **29/290,752**

(22) Filed: **Jan. 10, 2008**

(30) **Foreign Application Priority Data**

Jul. 13, 2007 (JP) 2007-019129

(51) **LOC (8) Cl.** **15-09**

(52) **U.S. Cl.** **D15/144**

(58) **Field of Classification Search** D8/70;
D15/144, 144.1, 144.2; 219/76, 121.48,
219/121.51, 121.52, 121.57

See application file for complete search history.

(56) **References Cited**

U.S. PATENT DOCUMENTS

- D299,352 S * 1/1989 Spaulding et al. D15/144
- 5,060,983 A * 10/1991 Lee 285/39
- D362,860 S * 10/1995 Carkhuff D15/144
- D365,345 S * 12/1995 Carkhuff D15/144
- D366,051 S * 1/1996 Lewis et al. D15/144.1
- D369,648 S * 5/1996 Fowler D8/70
- D379,577 S * 6/1997 Carkhuff D8/70
- 5,726,415 A * 3/1998 Luo et al. 219/121.48
- 5,747,767 A * 5/1998 Severance et al. 219/121.5
- D446,231 S * 8/2001 Kuraoka et al. D15/144
- D451,113 S * 11/2001 Shintani et al. D15/144
- 6,318,410 B1 * 11/2001 Miyajima et al. 138/109
- D497,373 S * 10/2004 Hewett et al. D15/144

- D499,124 S * 11/2004 Kuraoka et al. D15/144
- D500,064 S * 12/2004 Kuraoka et al. D15/144
- D506,764 S * 6/2005 Kuraoka et al. D15/144
- D517,577 S * 3/2006 Conway et al. D15/144
- D520,037 S * 5/2006 Furujo et al. D15/144
- D527,401 S * 8/2006 Mizuno et al. D15/144
- 2002/0125220 A1 * 9/2002 Augeraud et al. 219/121.5
- 2004/0079735 A1 * 4/2004 Kinerson et al. 219/121.48
- 2004/0169018 A1 * 9/2004 Brasseur et al. 219/121.5

FOREIGN PATENT DOCUMENTS

- JP 873846 7/1993
- JP 1098824 1/2001
- JP 1209868 6/2004
- JP 1214897 8/2004
- JP 1240428 5/2005

* cited by examiner

Primary Examiner—Sandra Snapp

Assistant Examiner—Patricia Palasik

(74) *Attorney, Agent, or Firm*—Manabu Kanesaka

(57) **CLAIM**

The ornamental design for a nozzle for plasma cutting machine, as shown and described.

DESCRIPTION

FIG. 1 is a front view of a nozzle for plasma cutting machine showing our new design; a rear view being symmetrical to the front view;

FIG. 2 is a plan view thereof; a bottom view being the same as the plan view;

FIG. 3 is a right side view thereof;

FIG. 4 is a left side view thereof; and,

FIG. 5 is a sectional view thereof taken along line 5—5 in FIG. 3.

1 Claim, 3 Drawing Sheets

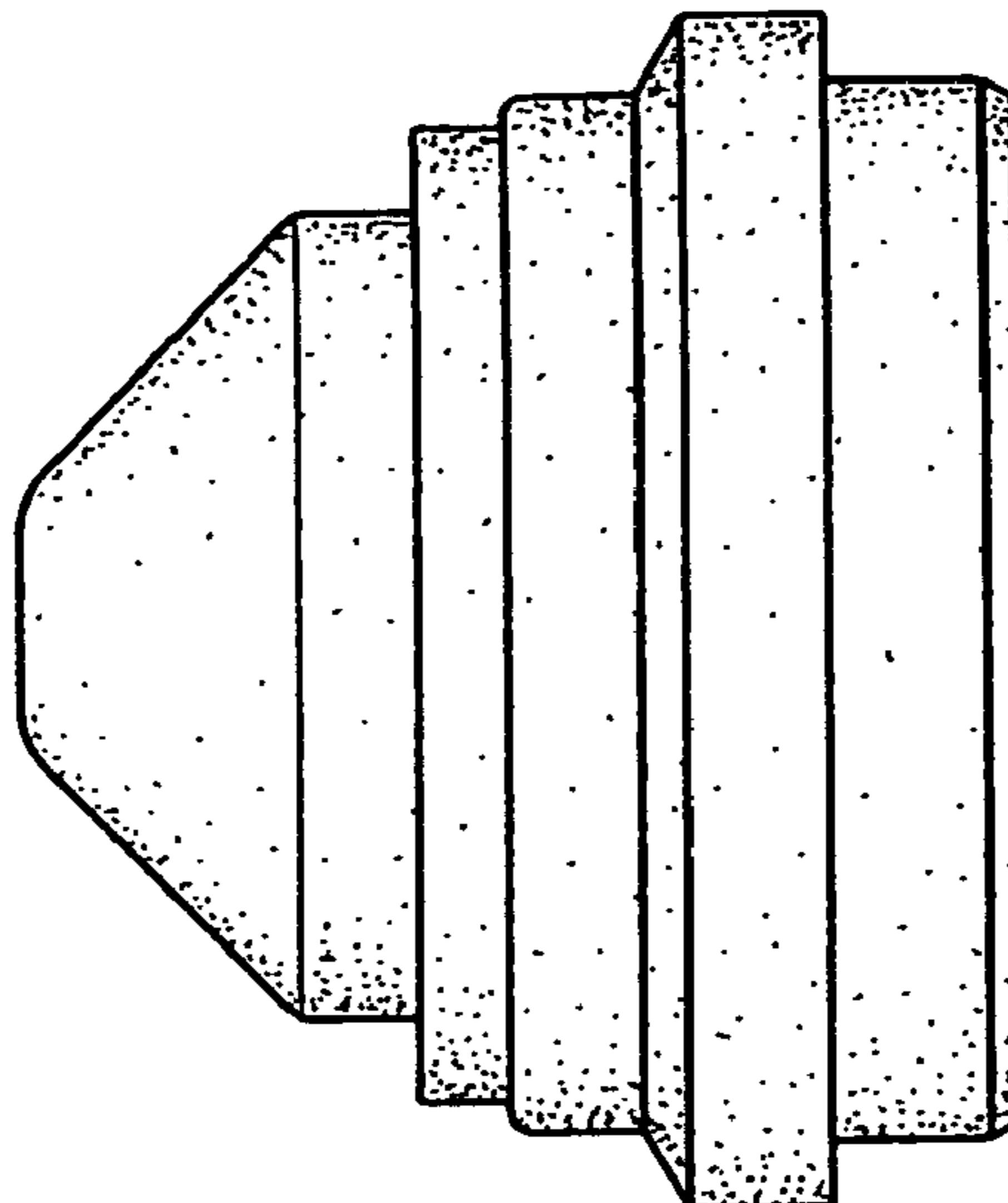


Fig. 1

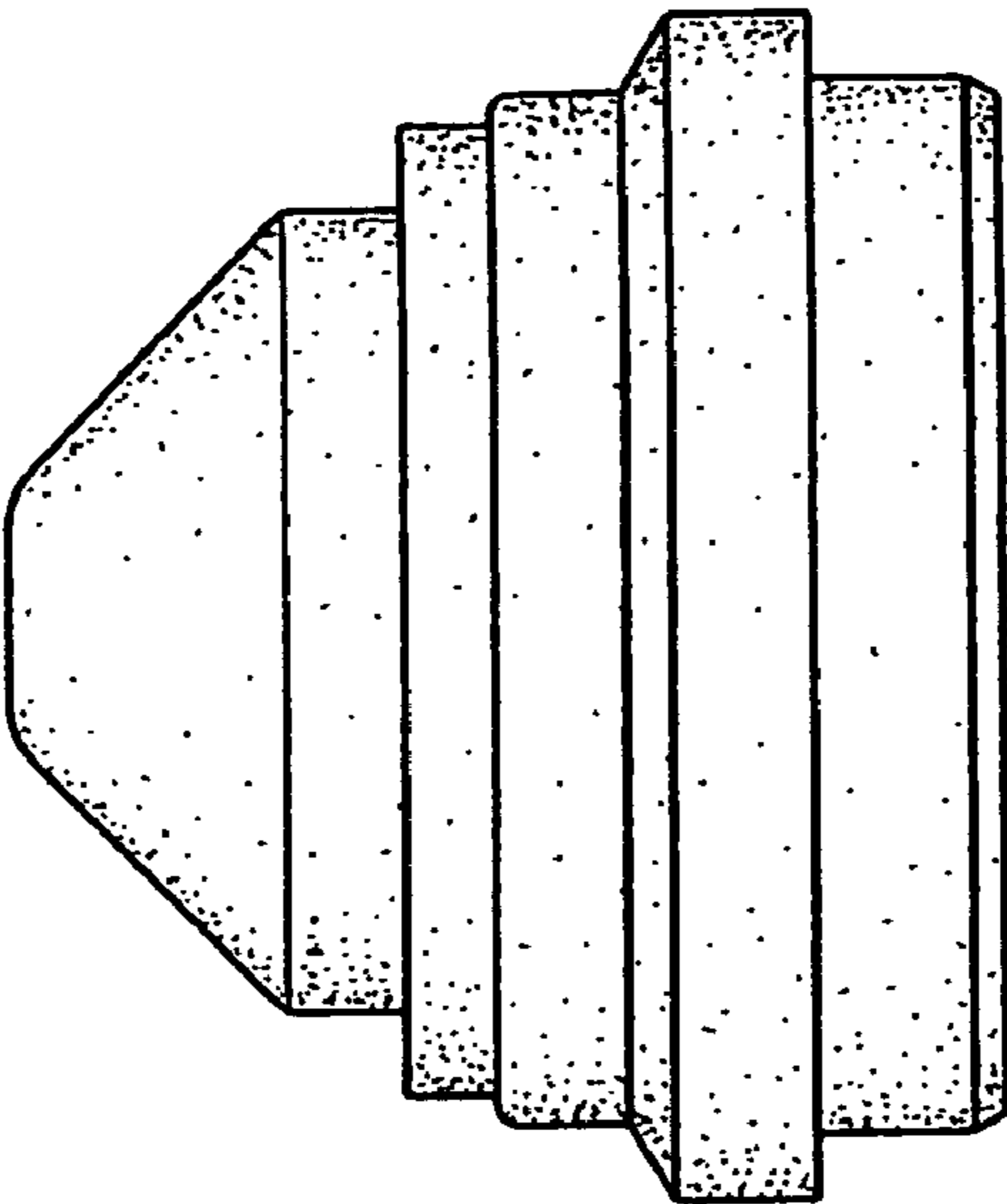


Fig. 2

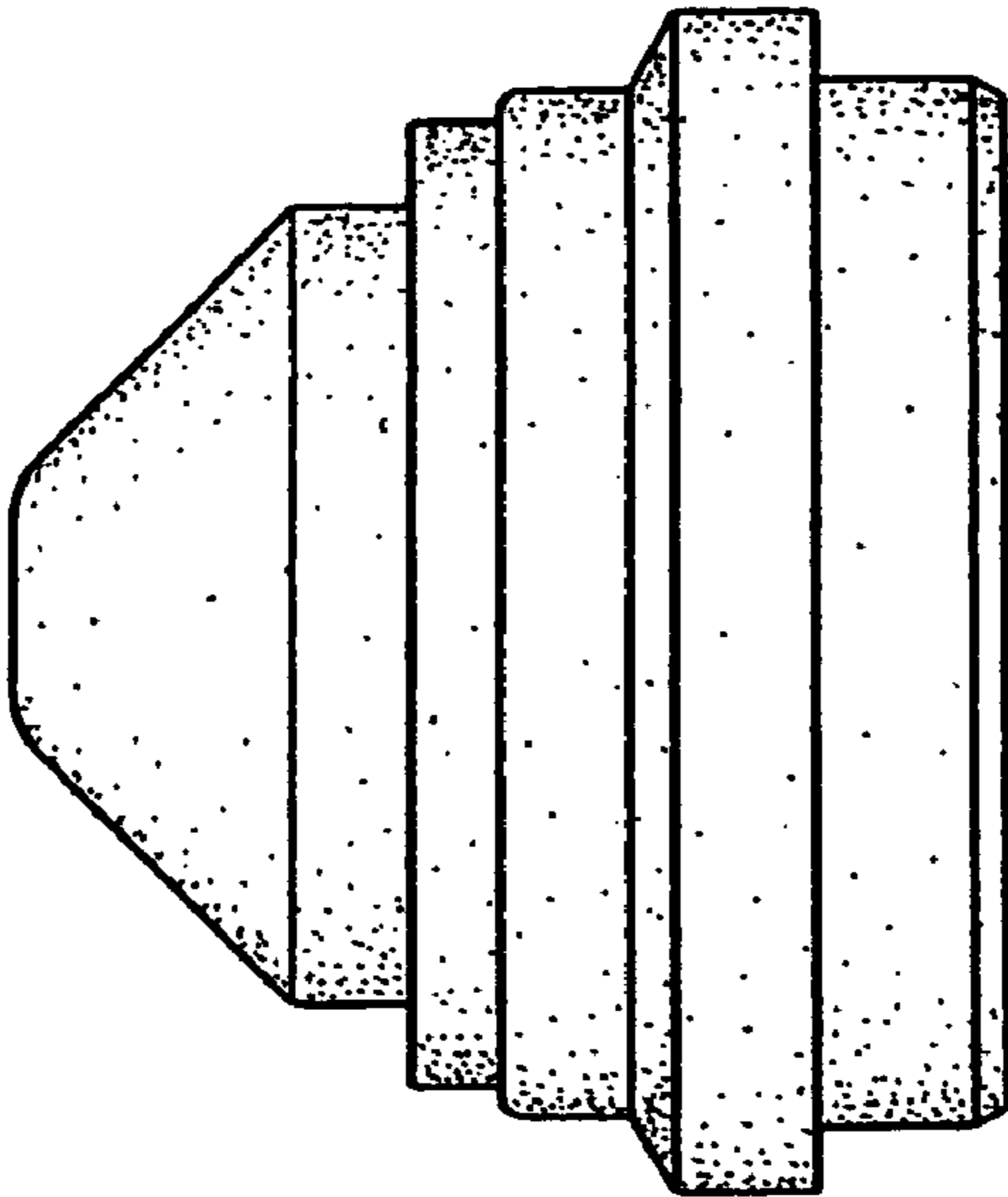


Fig. 3

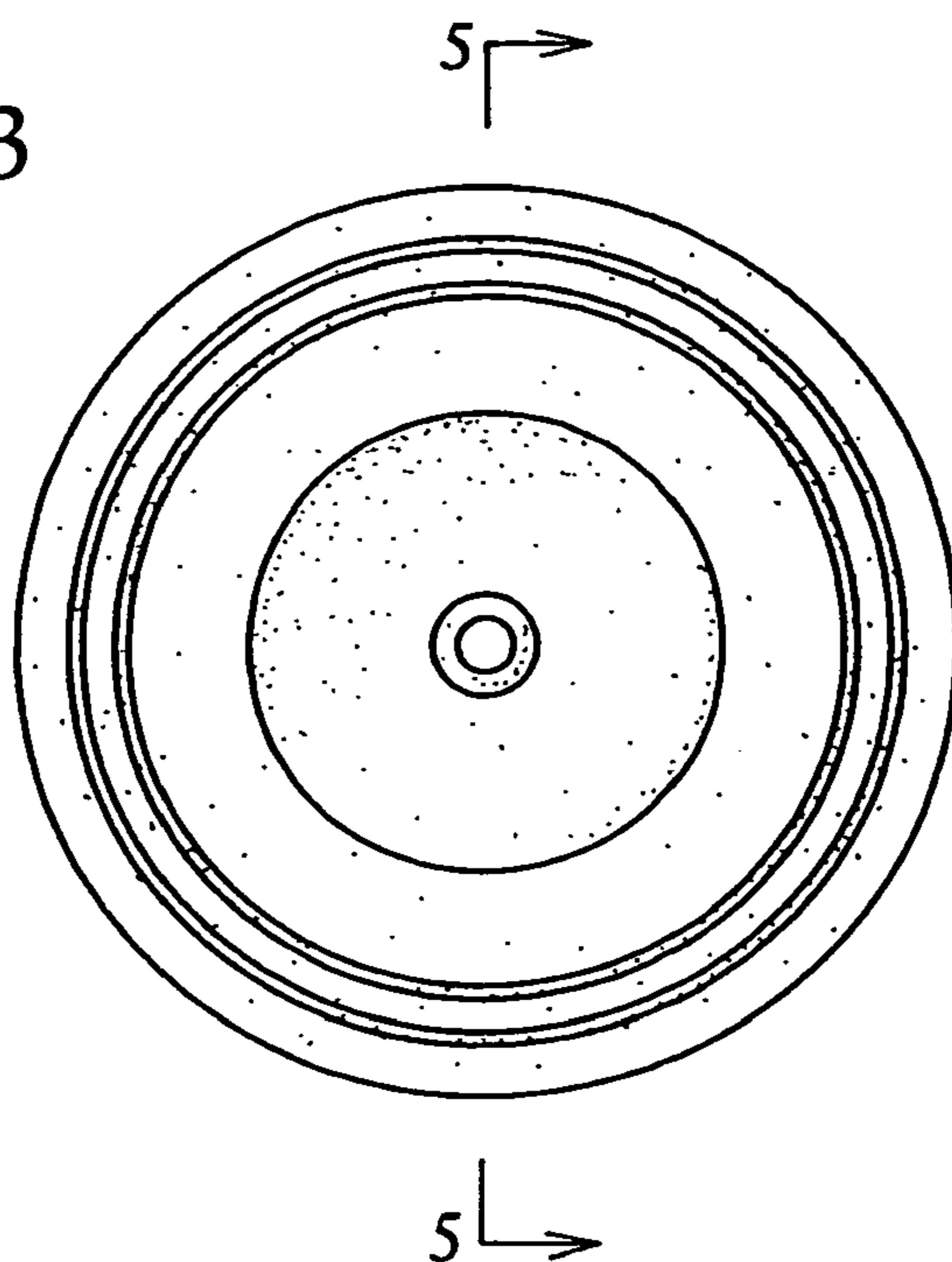


Fig. 4

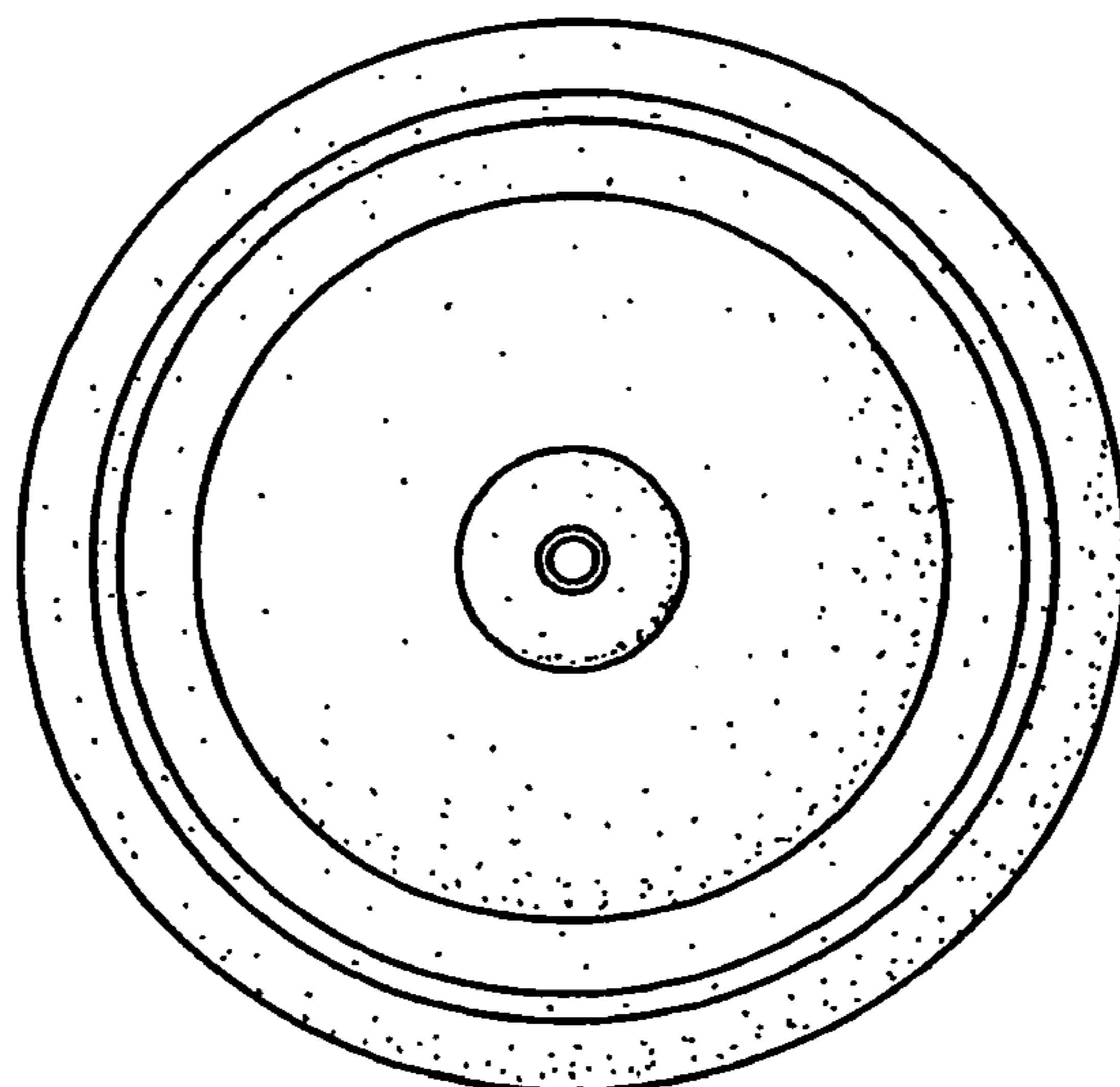


Fig. 5

