



US00D582948S

(12) **United States Design Patent**
Kocotas et al.

(10) **Patent No.:** **US D582,948 S**
(45) **Date of Patent:** **** Dec. 16, 2008**

(54) **EYEGLASS FRAME AND LENS TRACER FOR
PROCESSING EYEGLASS LENSES**

5,502,519 A * 3/1996 Hosoi 451/204
5,855,074 A * 1/1999 Abitbol et al. 33/507

(75) Inventors: **Sally C. Kocotas**, Charlottesville, VA
(US); **Richard L. Spurling**, Scottsville,
VA (US); **Daryll Scott Evans**,
Winchester, VA (US); **Sean Derek
Anderson**, Powhatan, VA (US)

* cited by examiner

Primary Examiner—Antoine D Davis

(74) *Attorney, Agent, or Firm*—Berenato White & Stavish

(73) Assignee: **National Optronics, Inc.**,
Charlottesville, VA (US)

(57) **CLAIM**

(**) Term: **14 Years**

The ornamental design for a eyeglass frame and lens tracer for
processing eyeglass lenses, as shown and described.

(21) Appl. No.: **29/287,927**

(22) Filed: **Oct. 2, 2007**

DESCRIPTION

(51) **LOC (8) Cl.** **15-09**

(52) **U.S. Cl.** **D15/125**

(58) **Field of Classification Search** D10/46;
D15/124–125; 33/28, 200, 286, 507, 559;
356/399; 409/84, 104; 451/43, 240, 42,
451/390, 384

See application file for complete search history.

FIG. 1 is a top plan view of our design;

FIG. 2 is a bottom plan view;

FIG. 3 is a front elevational view;

FIG. 4 is a left side elevational view;

FIG. 5 is a rear elevational view; and,

FIG. 6 is a right side elevational view.

(56) **References Cited**

U.S. PATENT DOCUMENTS

5,365,286 A * 11/1994 Masuda 451/204

1 Claim, 6 Drawing Sheets

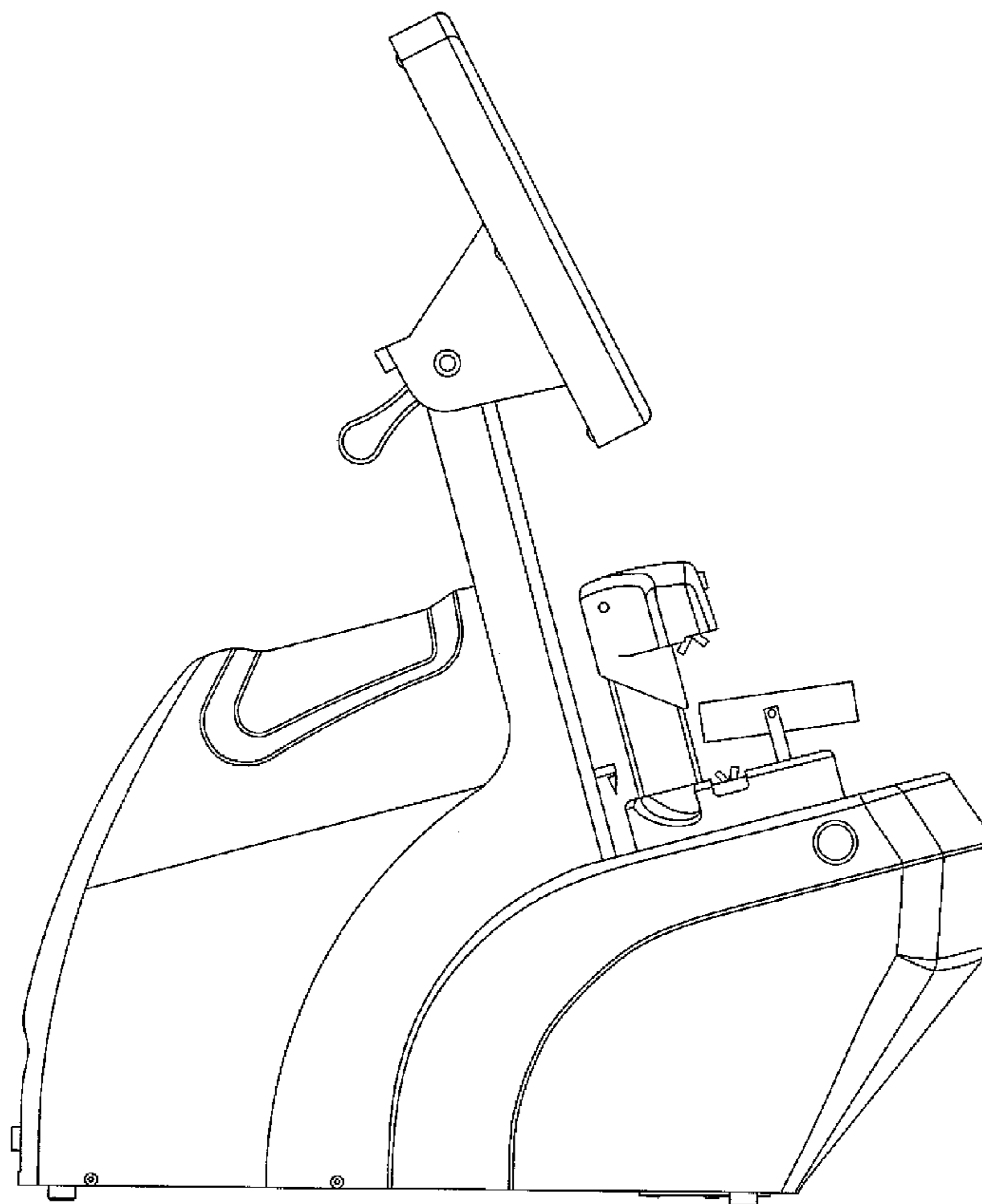


Fig. 1

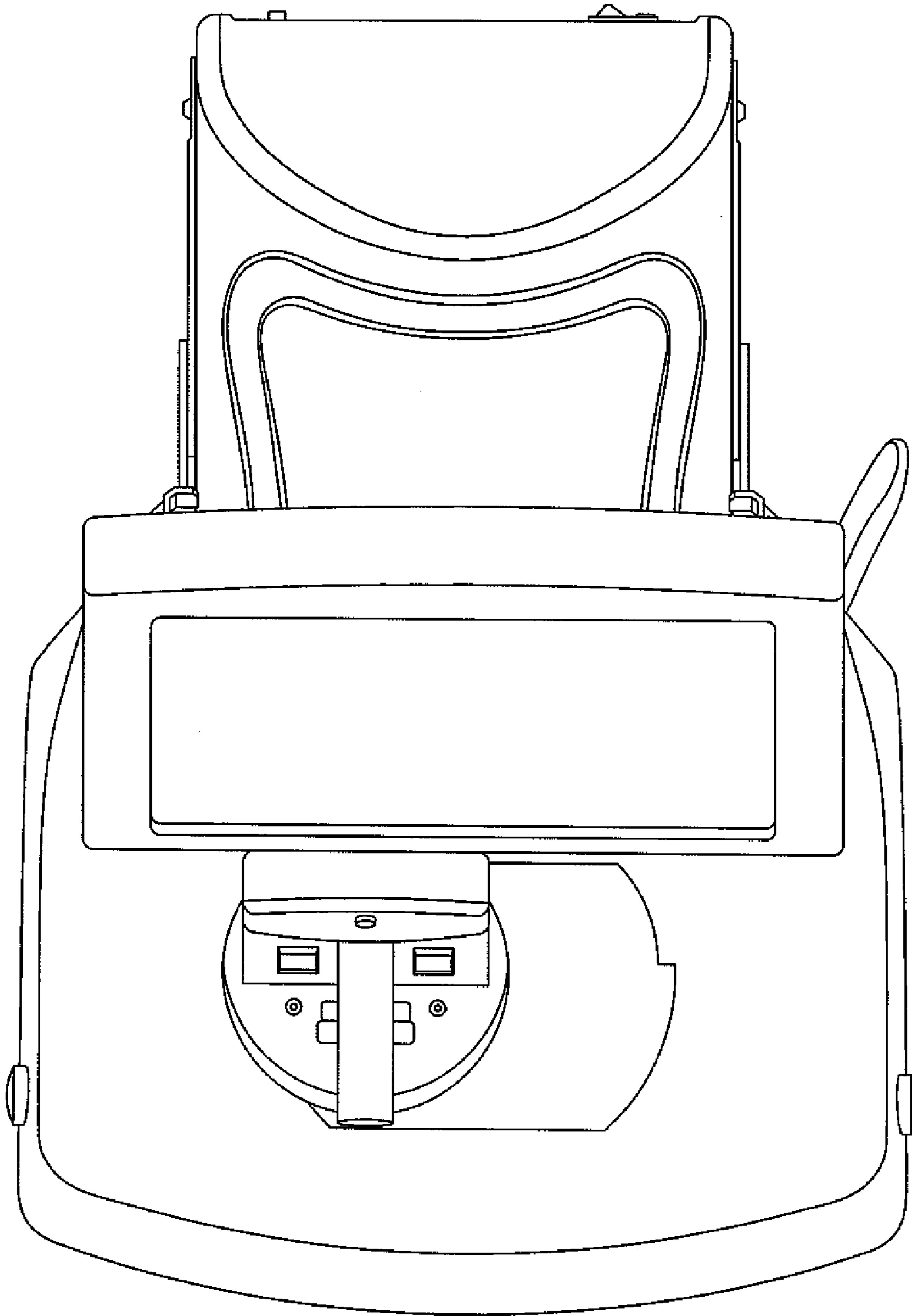


Fig. 2

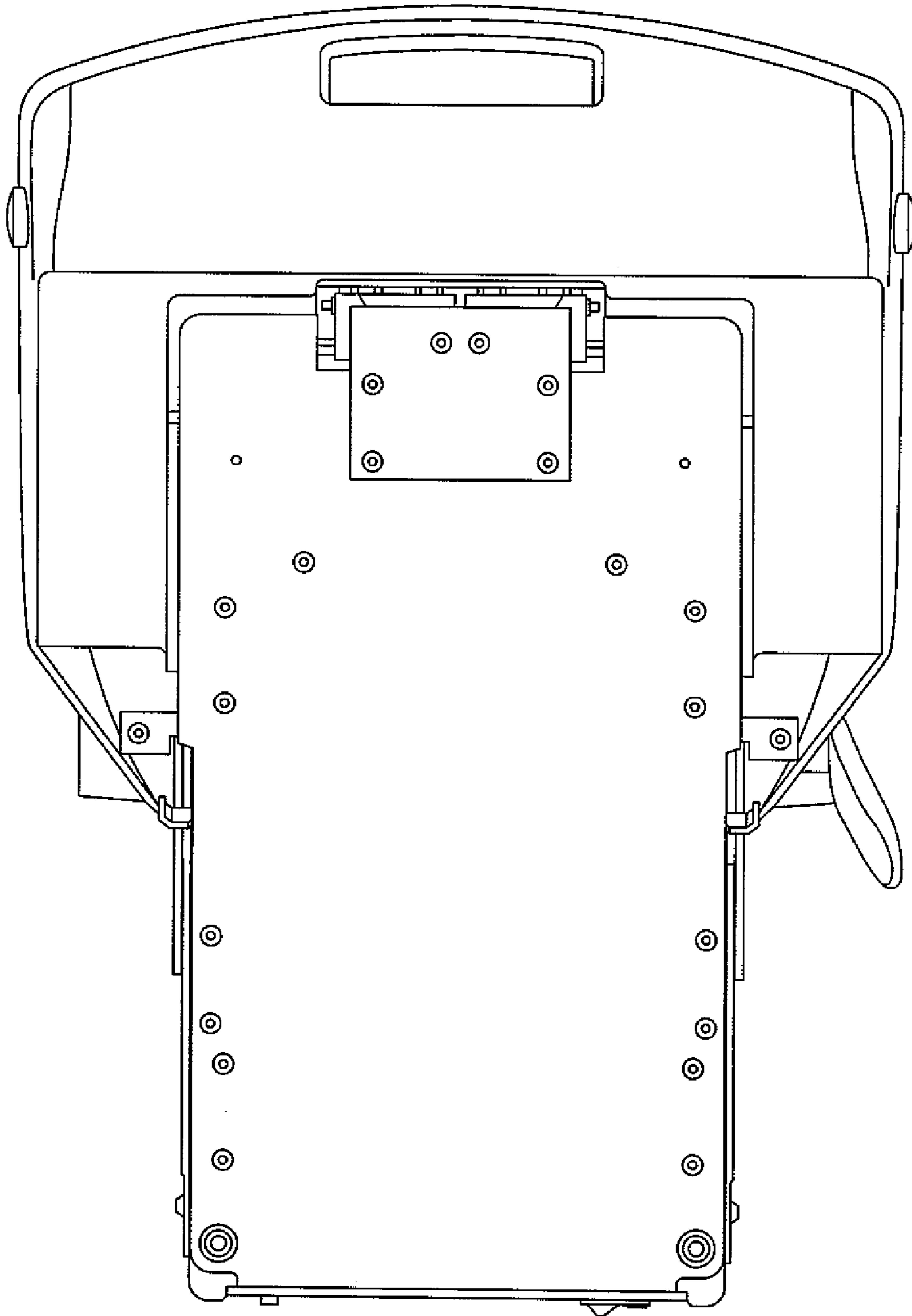


Fig. 3

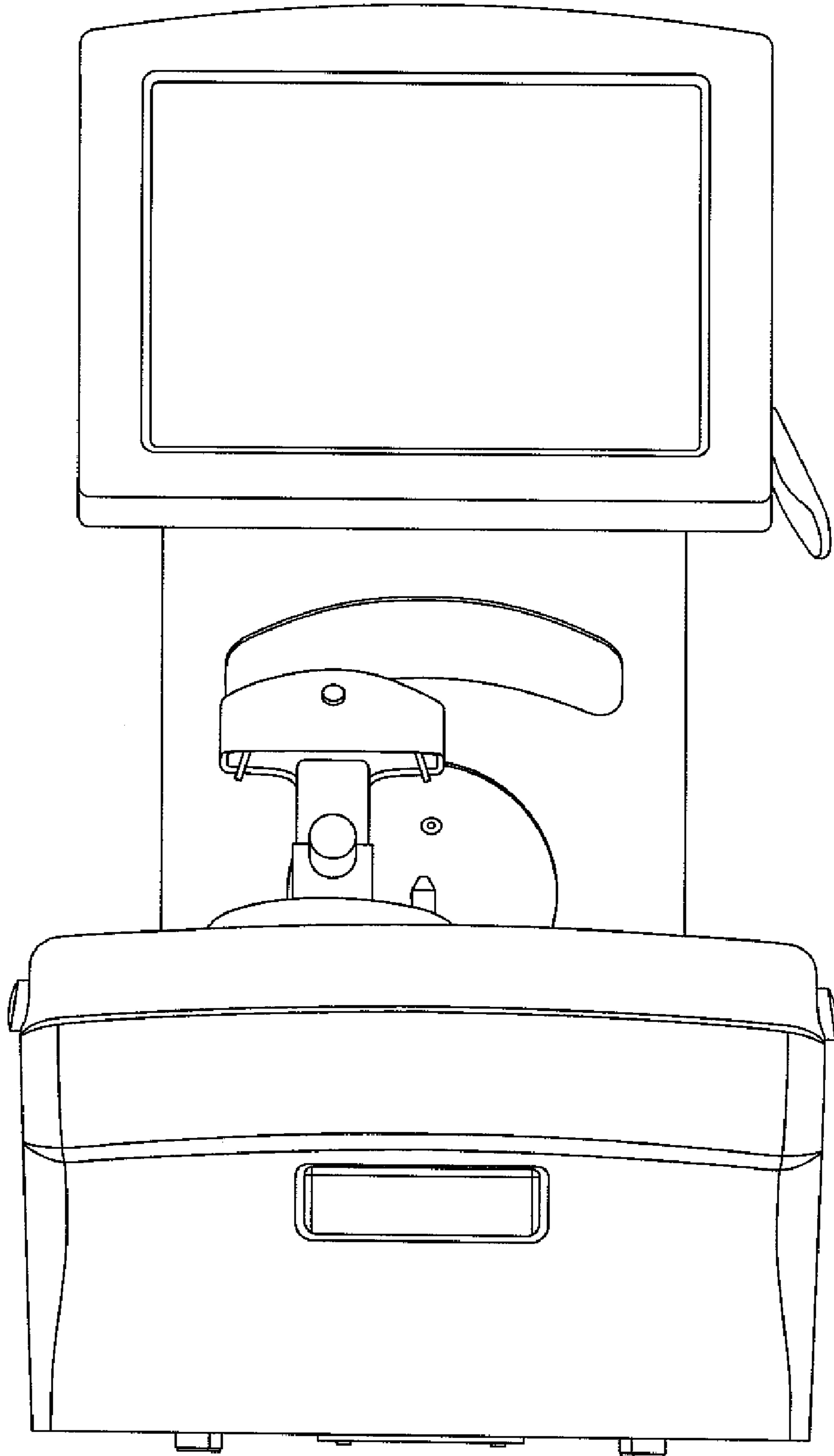


Fig. 4

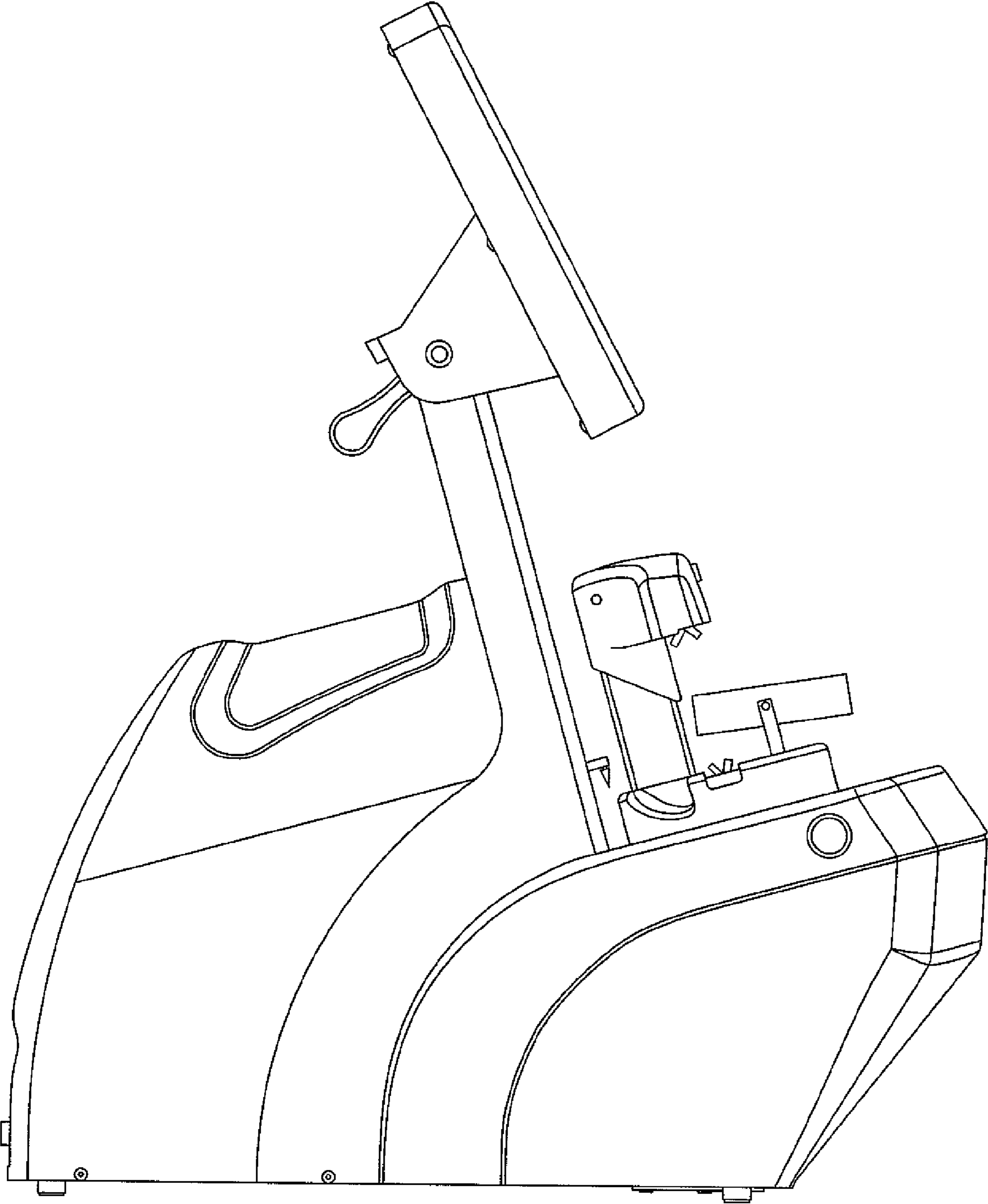


Fig. 5

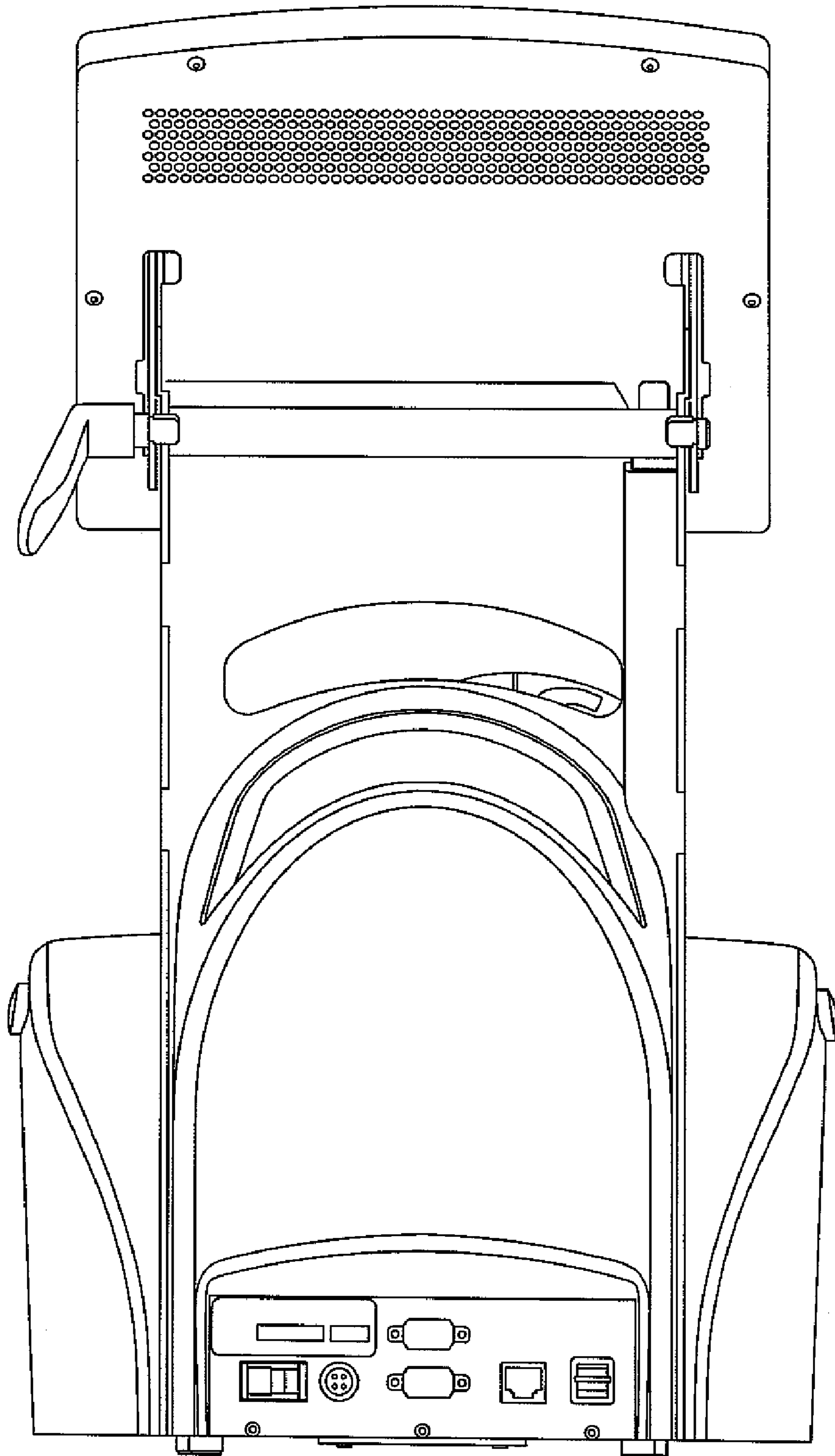


Fig. 6

