



US00D582947S

(12) **United States Design Patent**  
**Ueta et al.**

(10) **Patent No.:** **US D582,947 S**  
(45) **Date of Patent:** **\*\* Dec. 16, 2008**

(54) **COUNTERWEIGHT FOR CONSTRUCTION MACHINE**

(75) Inventors: **Toshiro Ueta**, Hiroshima (JP); **Shintaro Sakitani**, Hiroshima (JP); **Isao Miyachi**, Hiroshima (JP)

(73) Assignee: **Kobelco Construction Machinery Co., Ltd.**, Hiroshima-shi (JP)

(\*\*) Term: **14 Years**

(21) Appl. No.: **29/306,796**

(22) Filed: **Apr. 16, 2008**

**Related U.S. Application Data**

(62) Division of application No. 29/282,811, filed on Jul. 30, 2007.

(30) **Foreign Application Priority Data**

Jan. 31, 2007 (JP) ..... D2007-001919  
Jan. 31, 2007 (JP) ..... D2007-001923  
Jan. 31, 2007 (JP) ..... D2007-001927

(51) **LOC (8) Cl.** ..... **15-03**

(52) **U.S. Cl.** ..... **D15/28**

(58) **Field of Classification Search** ..... D15/10,  
D15/22-26, 28, 30, 33; 296/193.03, 193.08;  
172/611, 776; 180/69.24, 89.1, 89.12, 89.13,  
180/900, 326; 37/443, 379; 414/601, 602,  
414/685, 687, 688, 694, 722-724, 699, 680,  
414/698, 719, 743

See application file for complete search history.

(56) **References Cited**

**U.S. PATENT DOCUMENTS**

D391,272 S \* 2/1998 Jin et al. .... D15/25  
D406,152 S \* 2/1999 Miyaoka et al. .... D15/25  
D431,253 S \* 9/2000 Marchetta et al. .... D15/25  
D432,144 S \* 10/2000 Kraft et al. .... D15/30  
D432,145 S \* 10/2000 Kraft et al. .... D15/30  
6,135,223 A \* 10/2000 Miyachi et al. .... 180/69.21

D433,689 S \* 11/2000 Kraft et al. .... D15/30  
D436,605 S \* 1/2001 Shaw et al. .... D15/30  
6,170,588 B1 \* 1/2001 Irino et al. .... 180/89.1  
D440,236 S \* 4/2001 Kraft et al. .... D15/28  
D450,331 S \* 11/2001 Murakami et al. .... D15/25  
D460,974 S \* 7/2002 Murakami et al. .... D15/25  
6,502,896 B1 \* 1/2003 Nakata et al. .... 296/190.05  
D490,444 S \* 5/2004 Kuwae ..... D15/33  
D506,211 S \* 6/2005 Kuwae et al. .... D15/33  
D507,800 S \* 7/2005 Kuwae et al. .... D15/30  
D508,498 S \* 8/2005 Shimokakiuchi et al. .... D15/24  
D510,366 S \* 10/2005 Kuwae et al. .... D15/28  
D518,071 S \* 3/2006 Gwak et al. .... D15/25  
7,036,251 B2 \* 5/2006 Kojima et al. .... 37/466  
D528,568 S \* 9/2006 Kuwae et al. .... D15/28

**FOREIGN PATENT DOCUMENTS**

JP 1002843 2/1998

(Continued)

*Primary Examiner*—Stella M. Reid

*Assistant Examiner*—Mark A Goodwin

(74) *Attorney, Agent, or Firm*—Oblon, Spivak, McClelland, Maier & Neustadt, P.C.

(57) **CLAIM**

The ornamental design for a counterweight for construction machine, as shown.

**DESCRIPTION**

FIG. 1 is a top, front and left side perspective view of a counterweight for construction machine showing our new design;

FIG. 2 is a top, rear and right side perspective view thereof;

FIG. 3 is a front elevational view thereof;

FIG. 4 is a rear elevational view thereof;

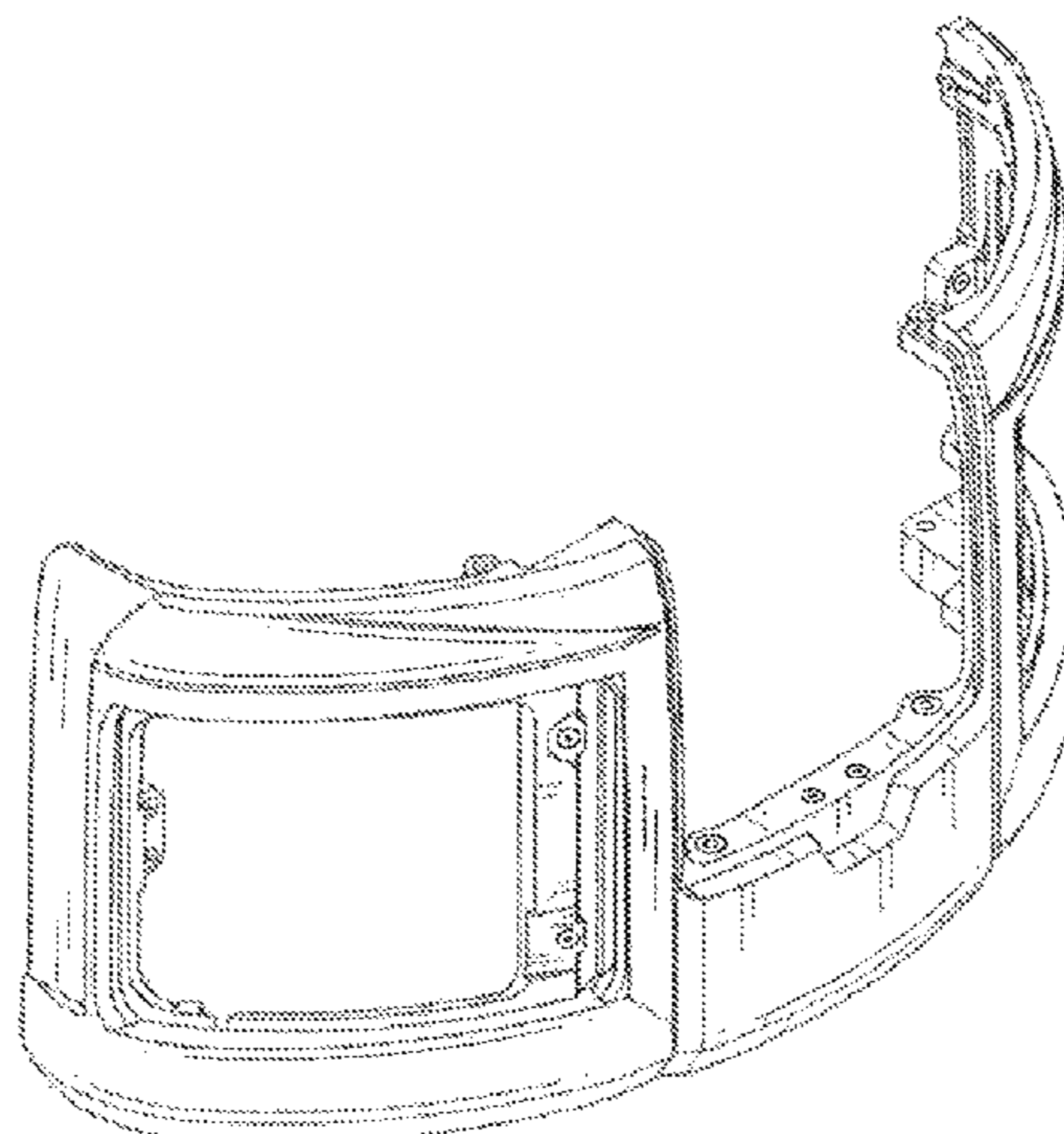
FIG. 5 is a left side elevational view thereof;

FIG. 6 is a right side elevational view thereof;

FIG. 7 is a top plan view thereof; and,

FIG. 8 is a bottom plan view thereof.

**1 Claim, 4 Drawing Sheets**



# US D582,947 S

Page 2

---

FOREIGN PATENT DOCUMENTS					
			JP	1051423	10/1999
			JP	1051423-1	10/1999
			JP	1051424	10/1999
			JP	1051424-1	10/1999
			JP	1002843-3	4/2000
JP	1002843-1	3/1999			
JP	1002843-2	3/1999			
JP	1033812	3/1999			
JP	1033812-1	3/1999			
JP	1033812-2	3/1999			
JP	11-181834	7/1999			

\* cited by examiner

Fig. 1

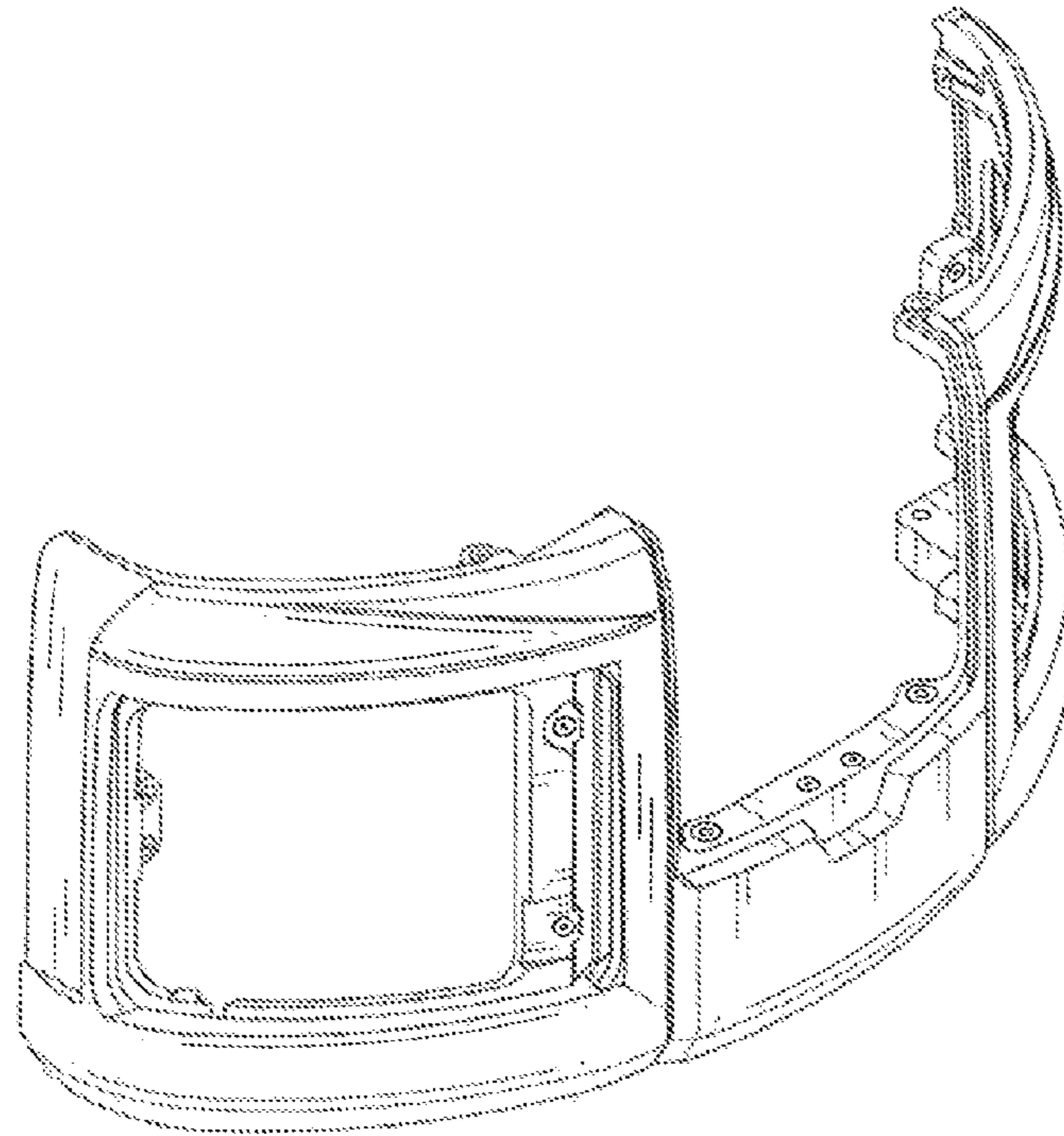


Fig. 2

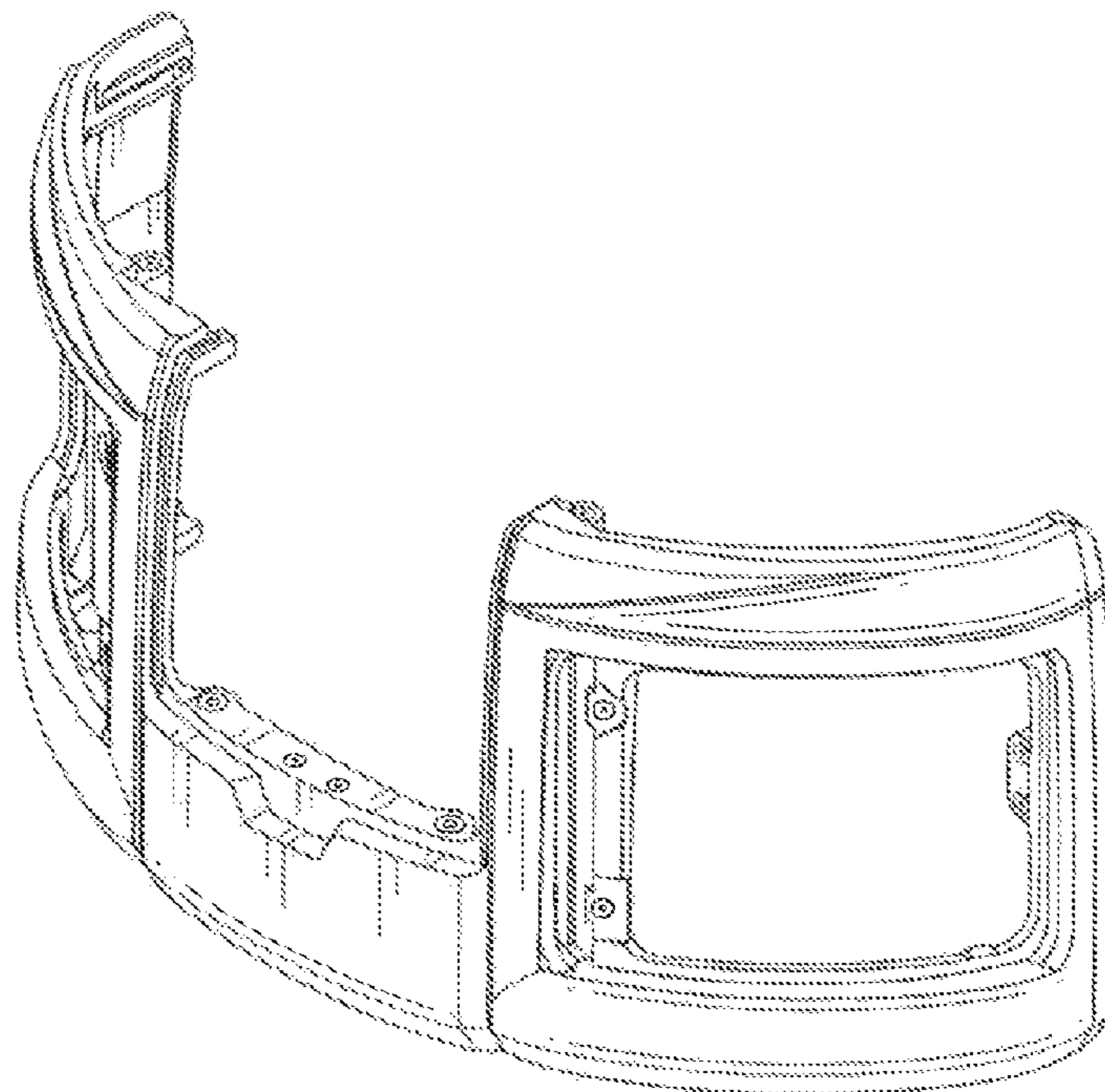


Fig. 3

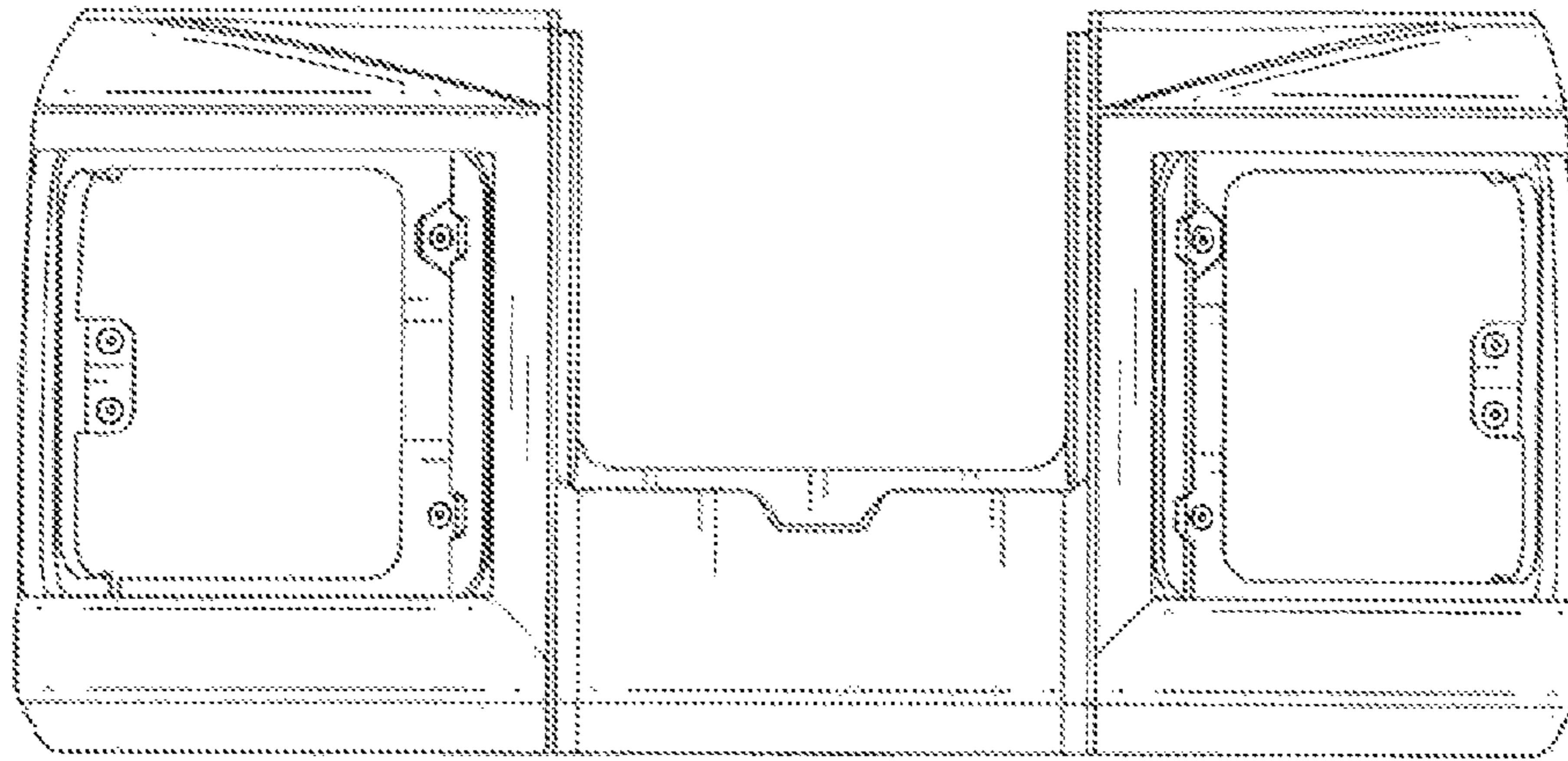


Fig. 4

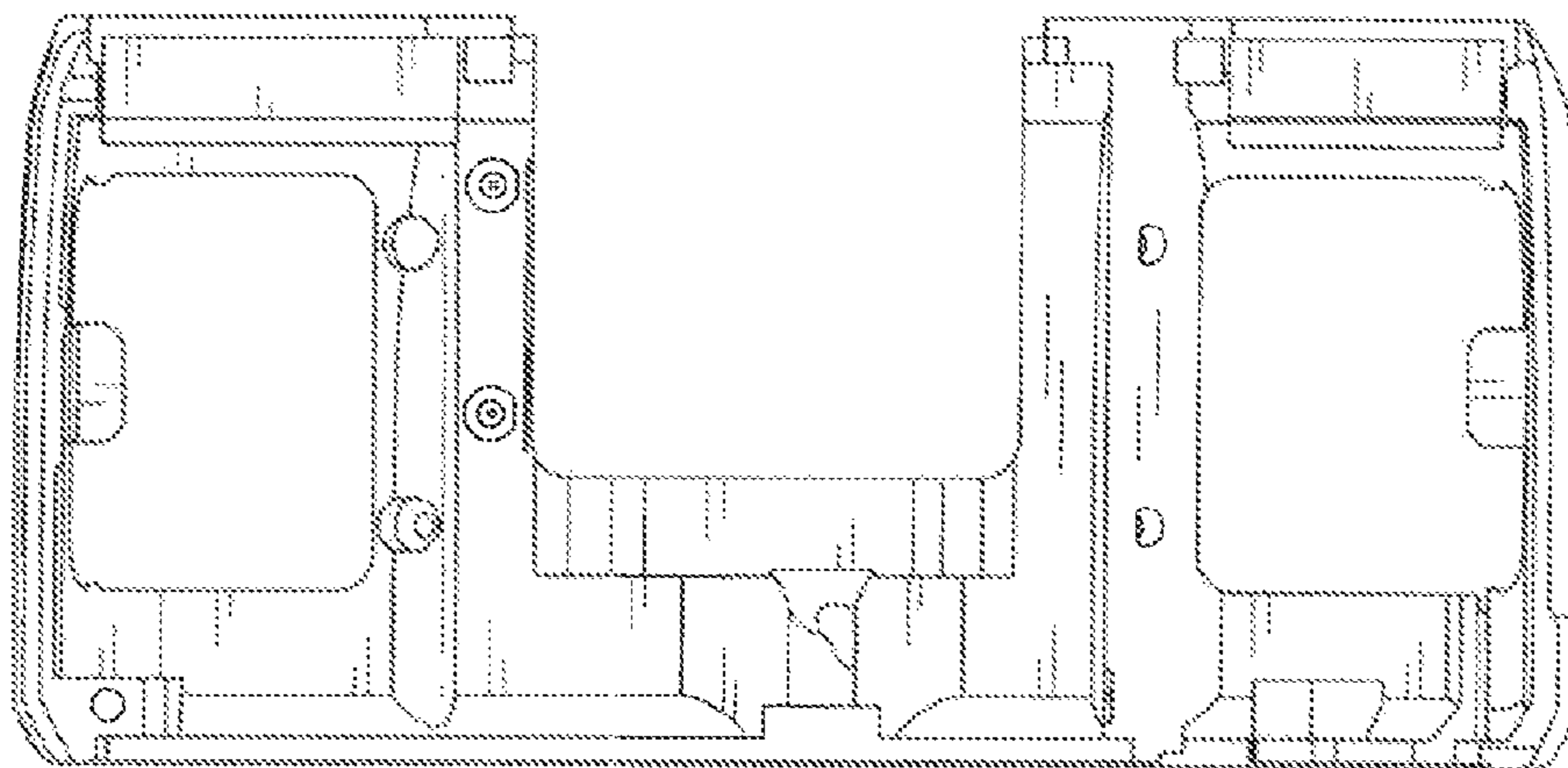


Fig. 5

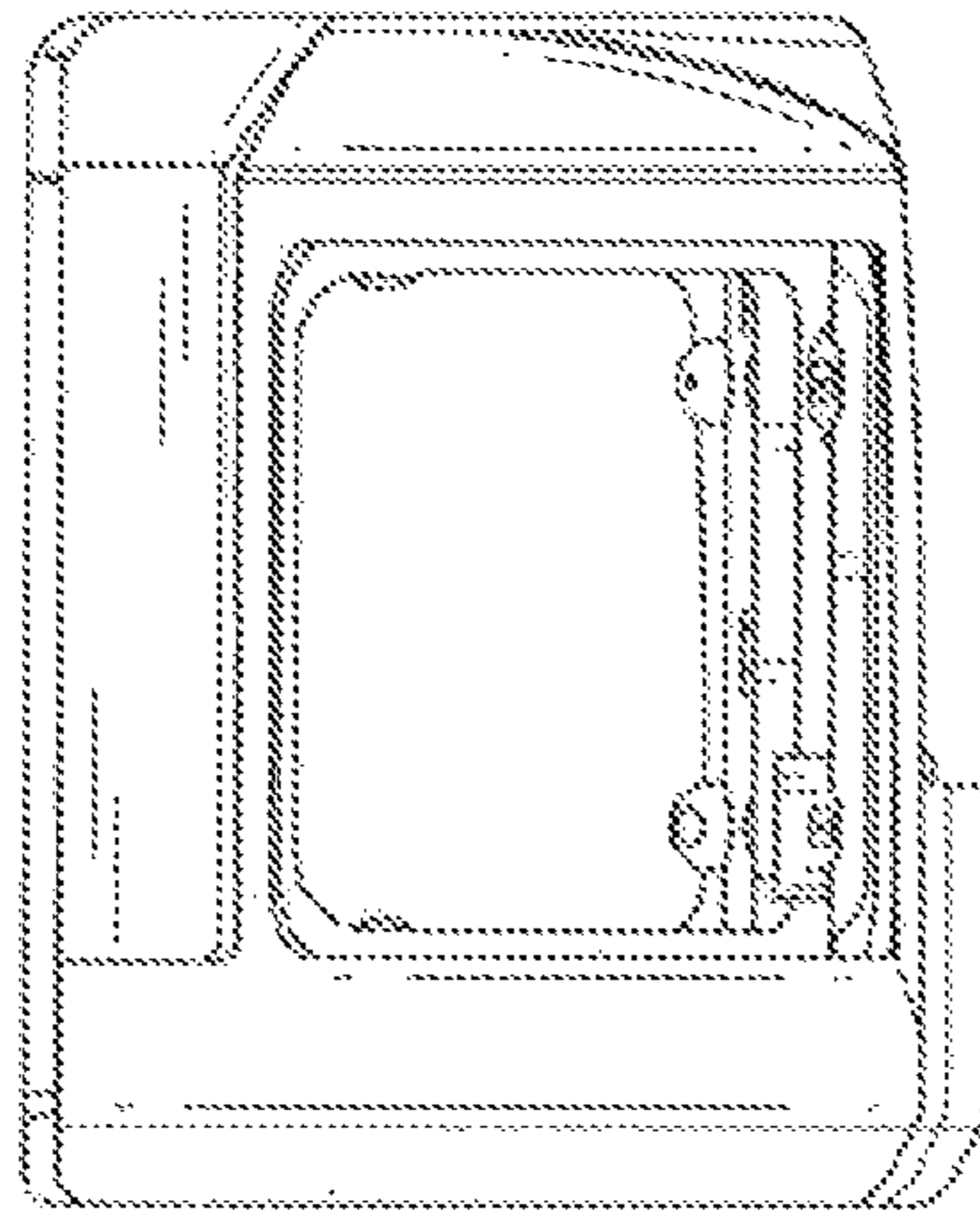


Fig. 6

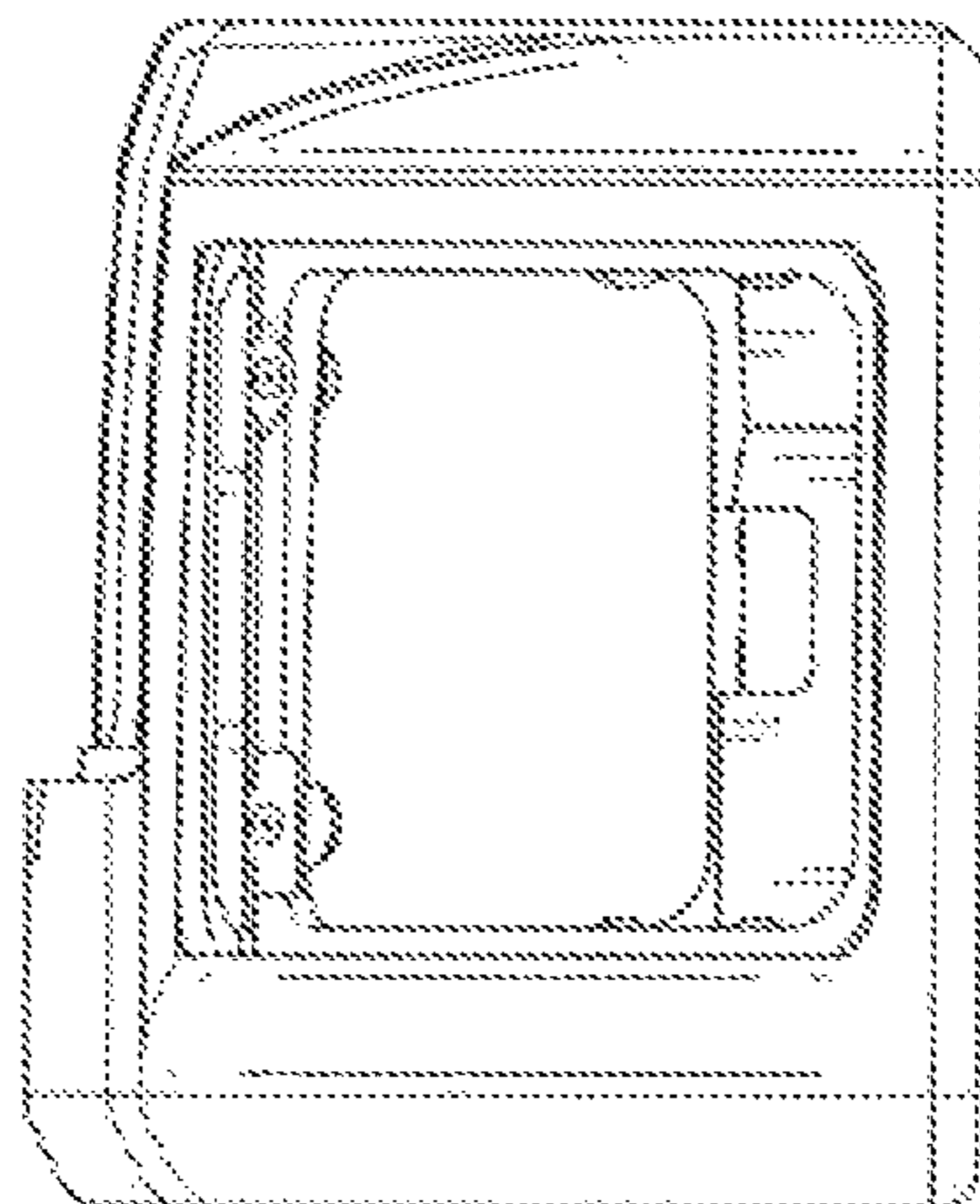


Fig. 7

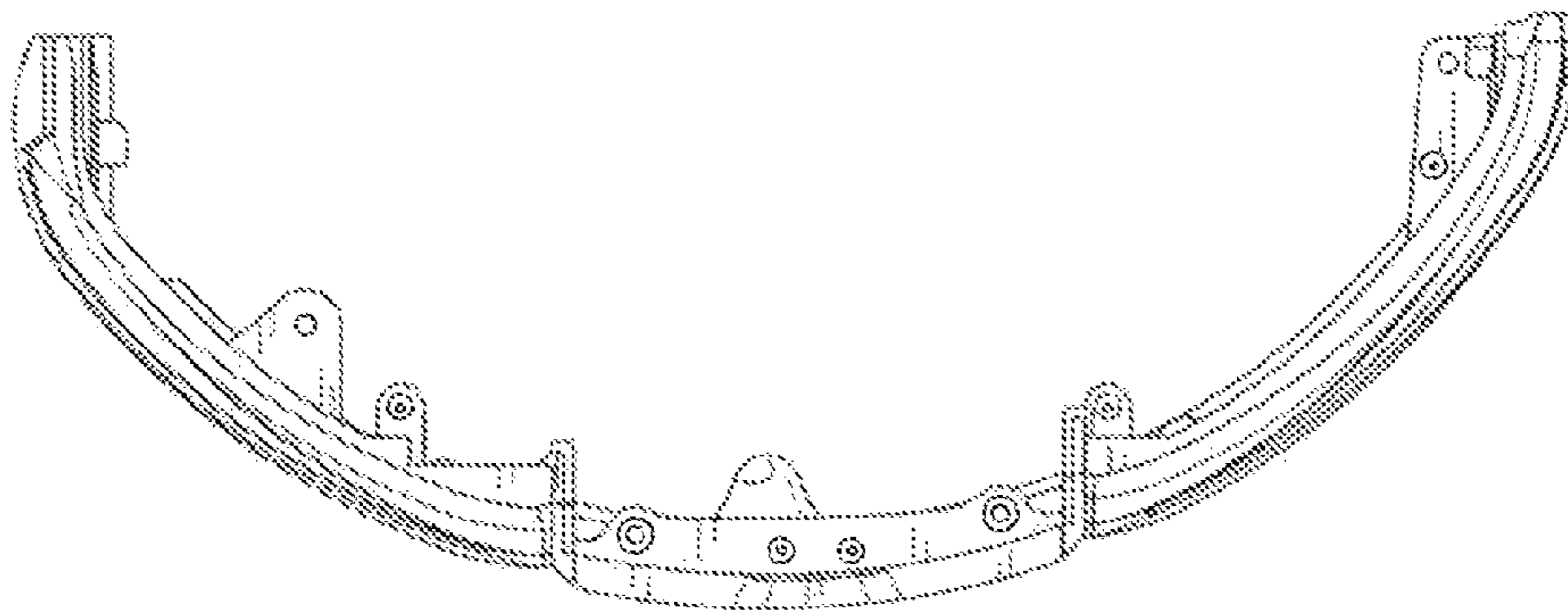


Fig. 8

