



US00D582946S

(12) **United States Design Patent**
Ochi et al.

(10) **Patent No.:** **US D582,946 S**

(45) **Date of Patent:** **** Dec. 16, 2008**

(54) **TRAVELING BODY FOR CONSTRUCTION MACHINE**

(75) Inventors: **Tomohiko Ochi**, Hiroshima (JP);
Shintaro Sakitani, Hiroshima (JP)

(73) Assignee: **Kobelco Construction Machinery Co., Ltd.**, Hiroshima-shi (JP)

(**) Term: **14 Years**

(21) Appl. No.: **29/306,793**

(22) Filed: **Apr. 16, 2008**

Related U.S. Application Data

(62) Division of application No. 29/282,816, filed on Jul. 30, 2007.

(30) **Foreign Application Priority Data**

Jan. 31, 2007 (JP) D2007-001918
Jan. 31, 2007 (JP) D2007-001922
Jan. 31, 2007 (JP) D2007-001926

(51) **LOC (8) Cl.** **15-03**

(52) **U.S. Cl.** **D15/28**

(58) **Field of Classification Search** D15/10,
D15/22-26, 28, 30, 33; 296/193.03, 193.08;
172/611, 776; 180/69.24, 89.1, 89.12, 89.13,
180/900, 326; 37/443, 379; 414/601, 602,
414/685, 687, 688, 694, 722-724, 699, 680,
414/698, 719, 743

See application file for complete search history.

(56) **References Cited**

U.S. PATENT DOCUMENTS

D391,272 S * 2/1998 Jin et al. D15/25
D406,152 S * 2/1999 Miyaoka et al. D15/25
D431,253 S * 9/2000 Marchetta et al. D15/25
D432,144 S * 10/2000 Kraft et al. D15/30
D432,145 S * 10/2000 Kraft et al. D15/30
6,135,223 A * 10/2000 Miyachi et al. 180/69.21
D433,689 S * 11/2000 Kraft et al. D15/30

D436,605 S * 1/2001 Shaw et al. D15/30
6,170,588 B1 * 1/2001 Irino et al. 180/89.1
D440,236 S * 4/2001 Kraft et al. D15/28
D450,331 S * 11/2001 Murakami et al. D15/25
D460,974 S * 7/2002 Murakami et al. D15/25
6,502,896 B1 * 1/2003 Nakata et al. 296/190.05
D490,444 S * 5/2004 Kuwae D15/33
D506,211 S * 6/2005 Kuwae et al. D15/33
D507,800 S * 7/2005 Kuwae et al. D15/30

(Continued)

FOREIGN PATENT DOCUMENTS

JP 1002843 2/1998

(Continued)

Primary Examiner—Stella M. Reid

Assistant Examiner—Mark A Goodwin

(74) *Attorney, Agent, or Firm*—Oblon, Spivak, McClelland,
Maier & Neustadt, P.C.

(57) **CLAIM**

The ornamental design for a traveling body for construction machine, as shown and described.

DESCRIPTION

FIG. 1 is a top, front and right side perspective view of a traveling body for construction machine showing our new design;

FIG. 2 is a top, rear and left side perspective view thereof;

FIG. 3 is a front elevational view thereof;

FIG. 4 is a rear elevational view thereof;

FIG. 5 is a left side elevational view thereof;

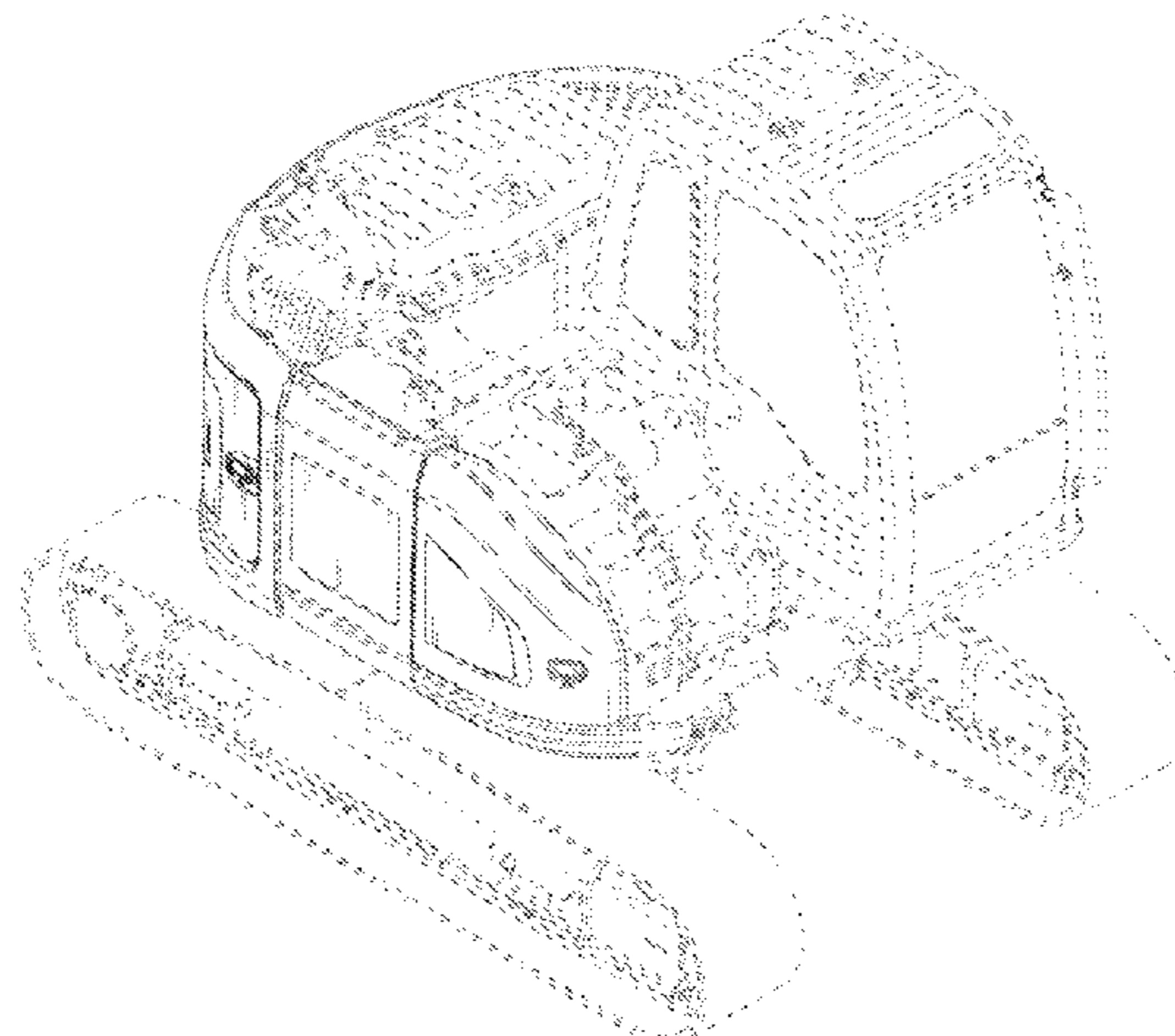
FIG. 6 is a right side elevational view thereof;

FIG. 7 is a top plan view thereof; and,

FIG. 8 is a bottom plan view thereof.

The broken line showing is for illustrative purposes only and forms no part of the claimed design.

1 Claim, 4 Drawing Sheets



US D582,946 S

Page 2

U.S. PATENT DOCUMENTS						
				JP	1033812	3/1999
D508,498	S *	8/2005	Shimokakiuchi et al. D15/24	JP	1033812-1	3/1999
D510,366	S *	10/2005	Kuwae et al. D15/28	JP	1033812-2	3/1999
D518,071	S *	3/2006	Gwak et al. D15/25	JP	11-181834	7/1999
7,036,251	B2 *	5/2006	Kojima et al. 37/466	JP	1051423	10/1999
D528,568	S *	9/2006	Kuwae et al. D15/28	JP	1051423-1	10/1999
2004/0200100	A1 *	10/2004	Kojima et al. 37/348	JP	1051424	10/1999
				JP	1051424-1	10/1999
				JP	1002843-3	4/2000
FOREIGN PATENT DOCUMENTS						
JP	1002843-1	3/1999				
JP	1002843-2	3/1999				

* cited by examiner

Fig. 1

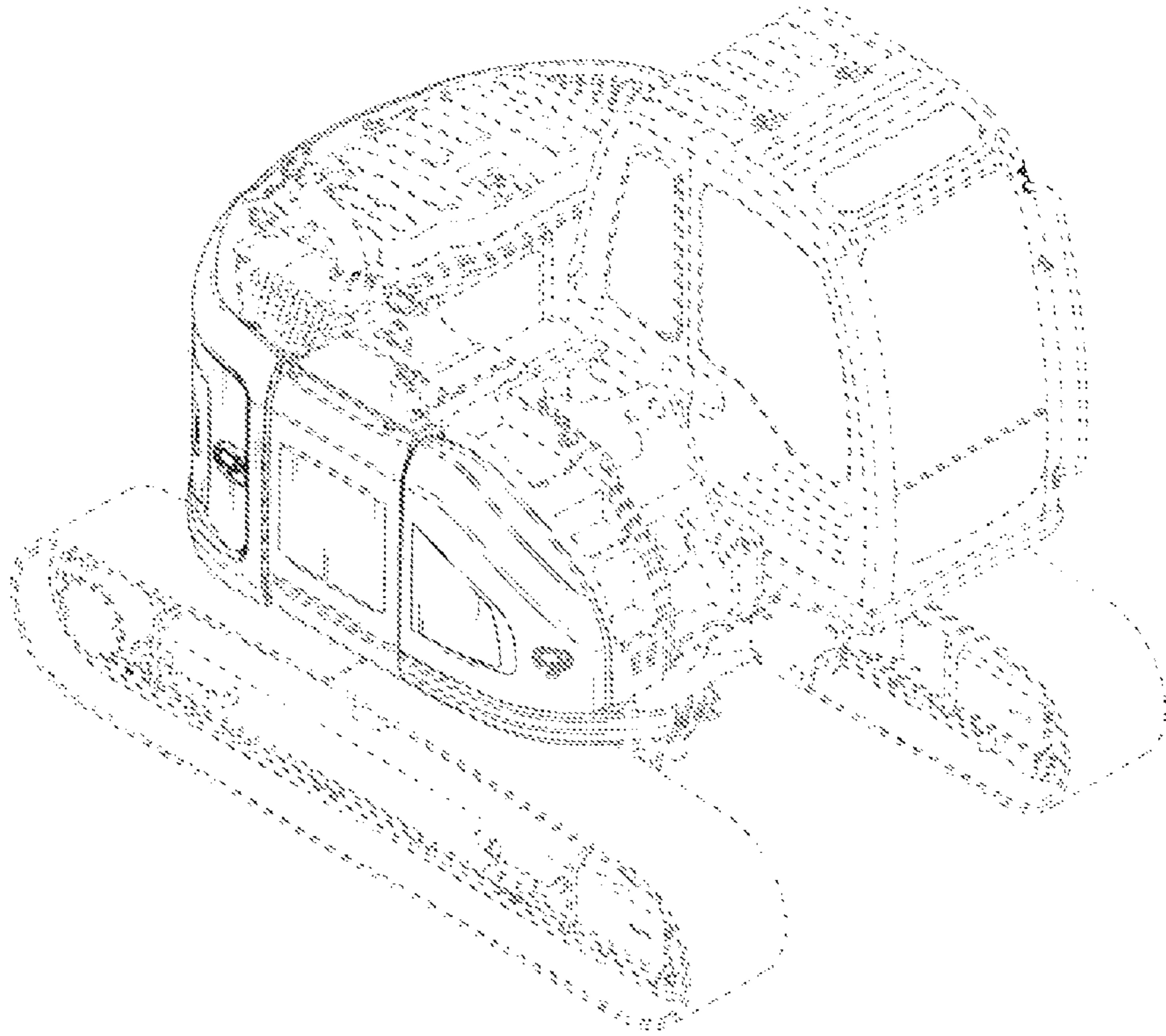


Fig. 2

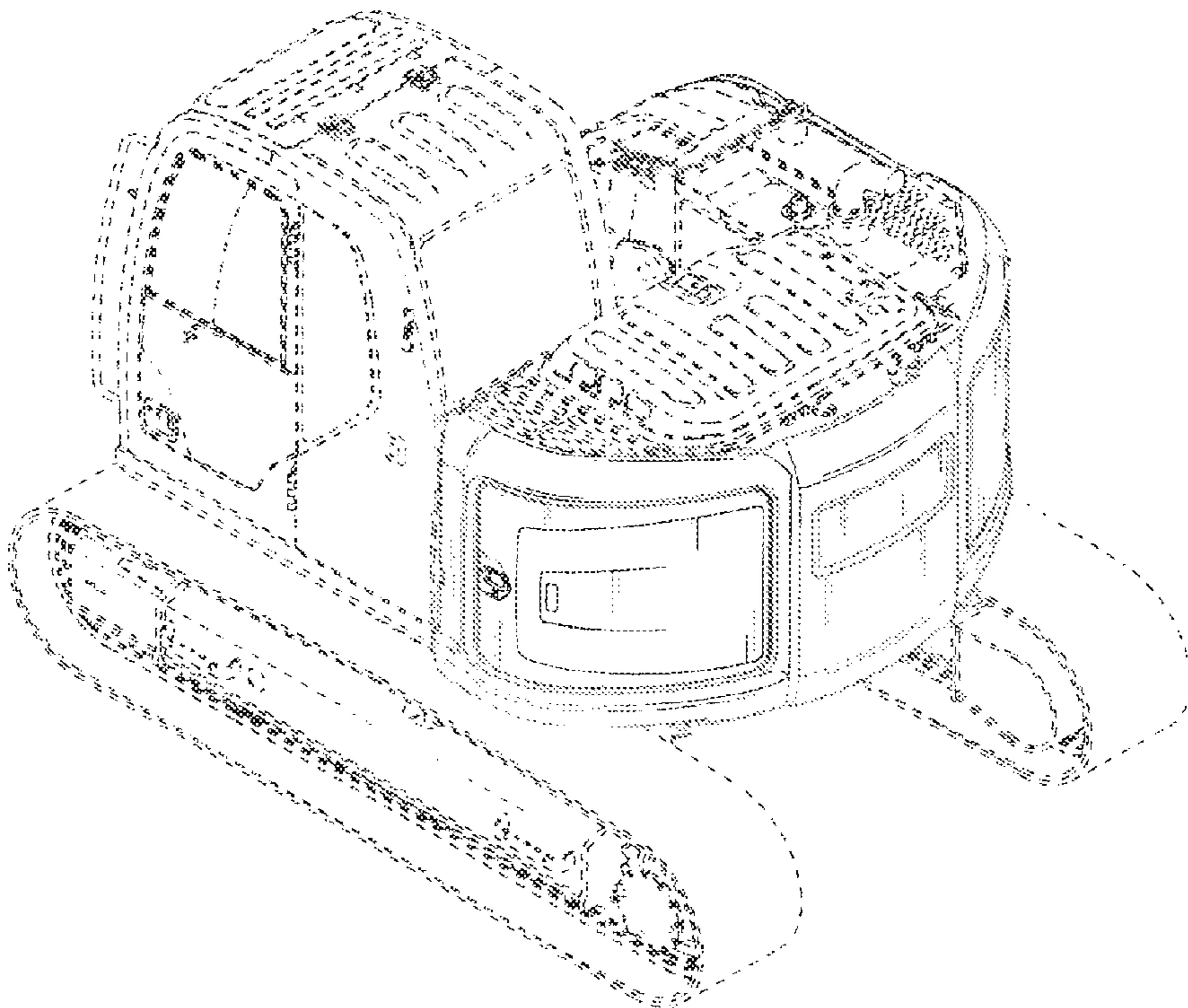


Fig. 3

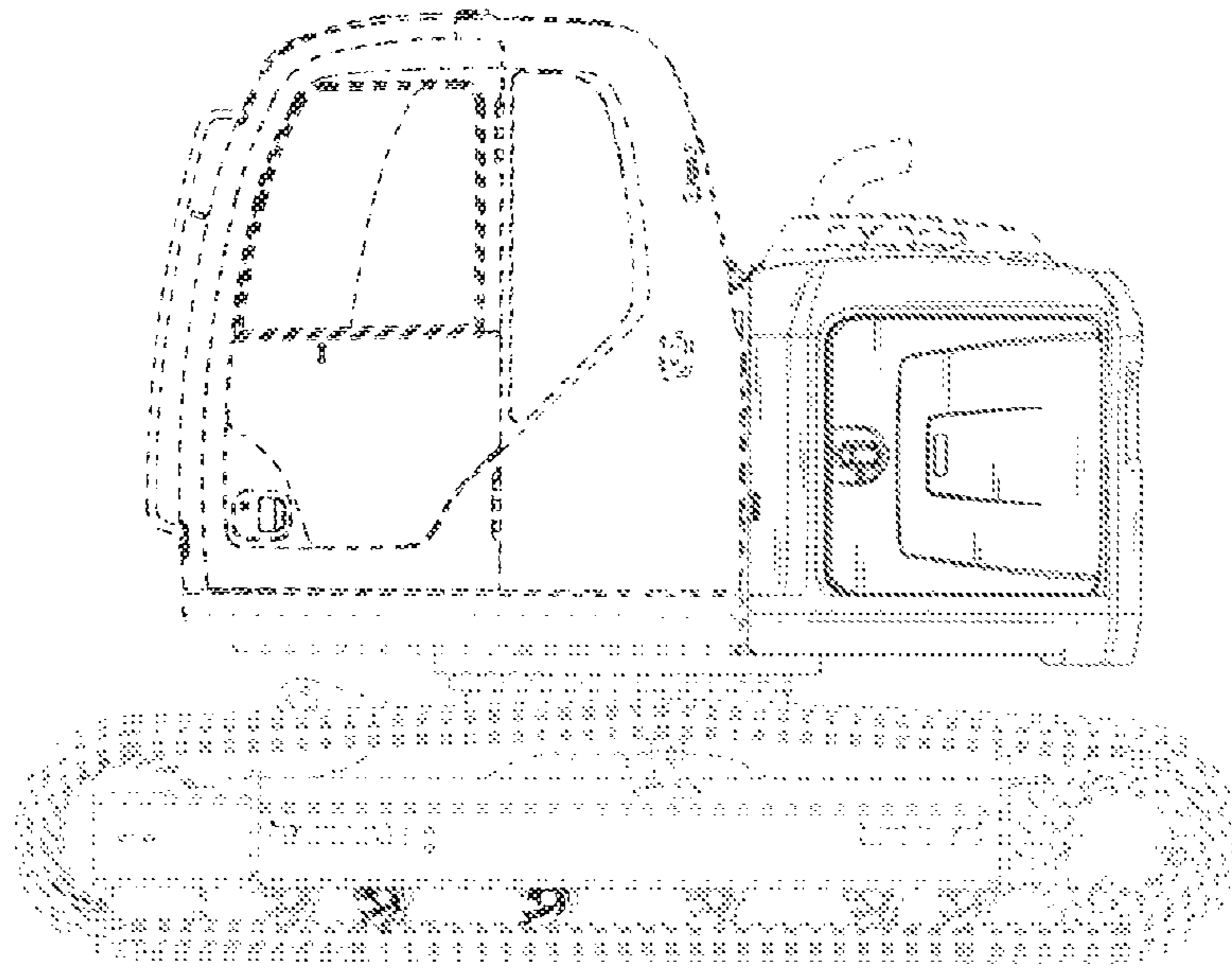


Fig. 4

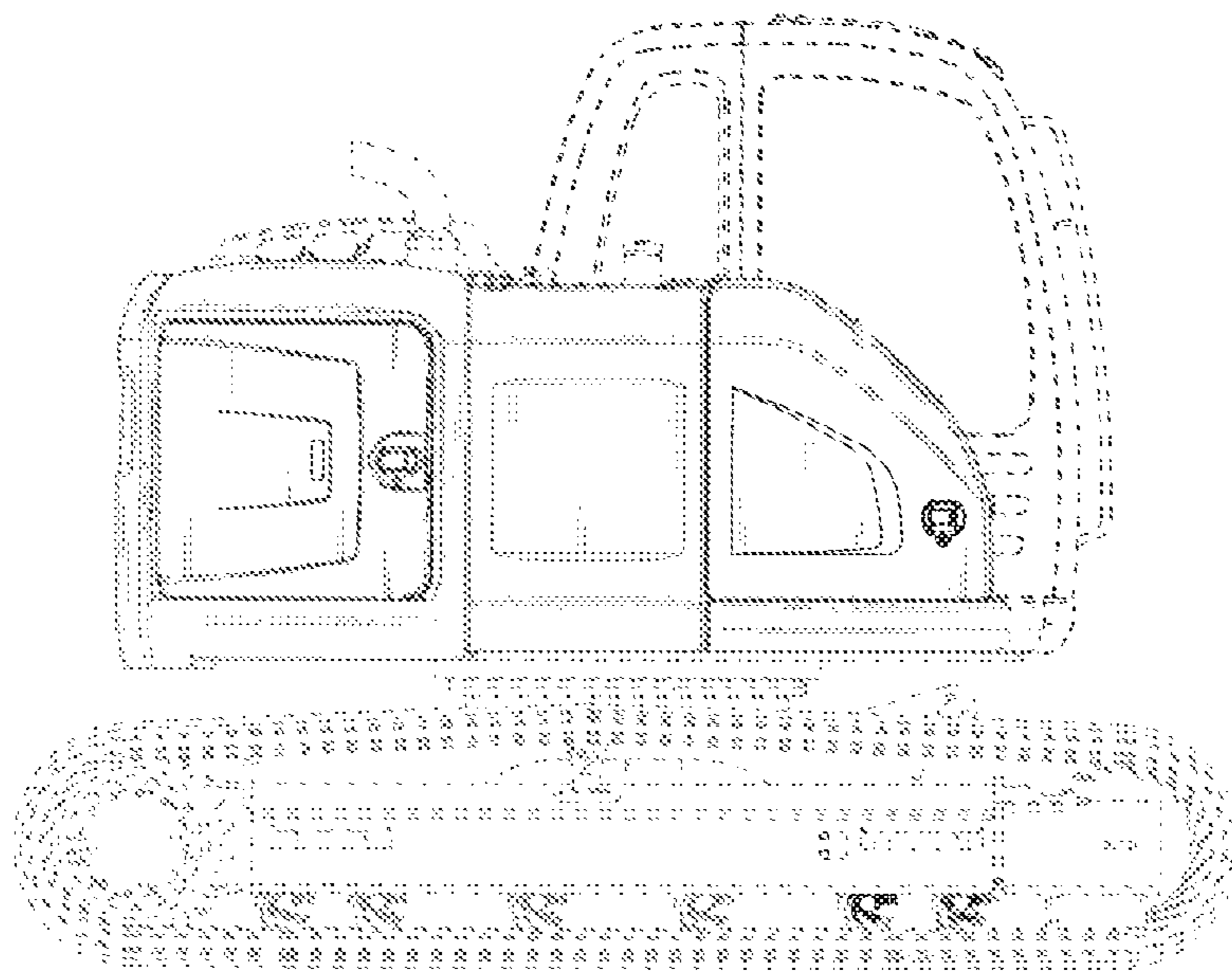


Fig. 5

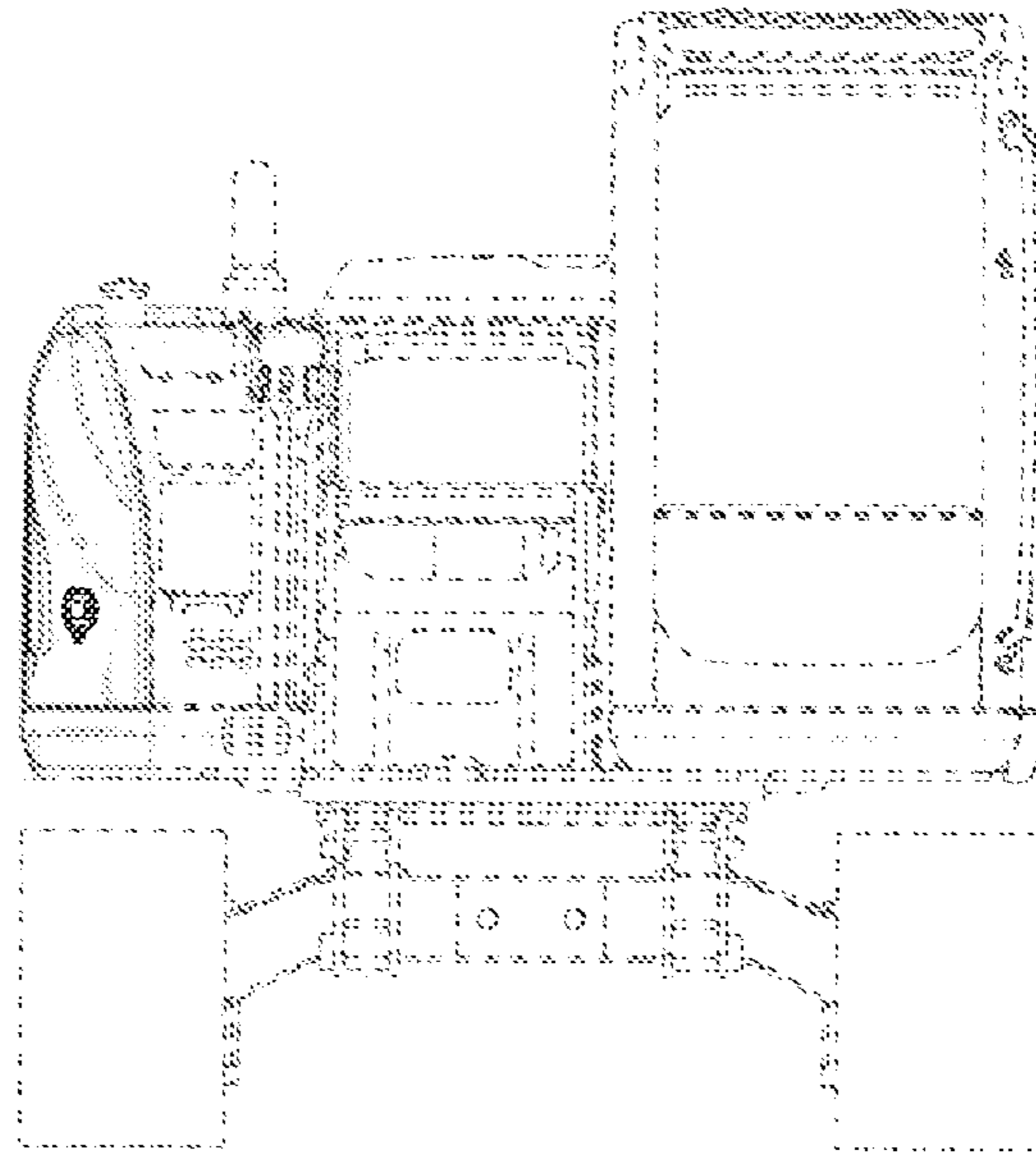


Fig. 6

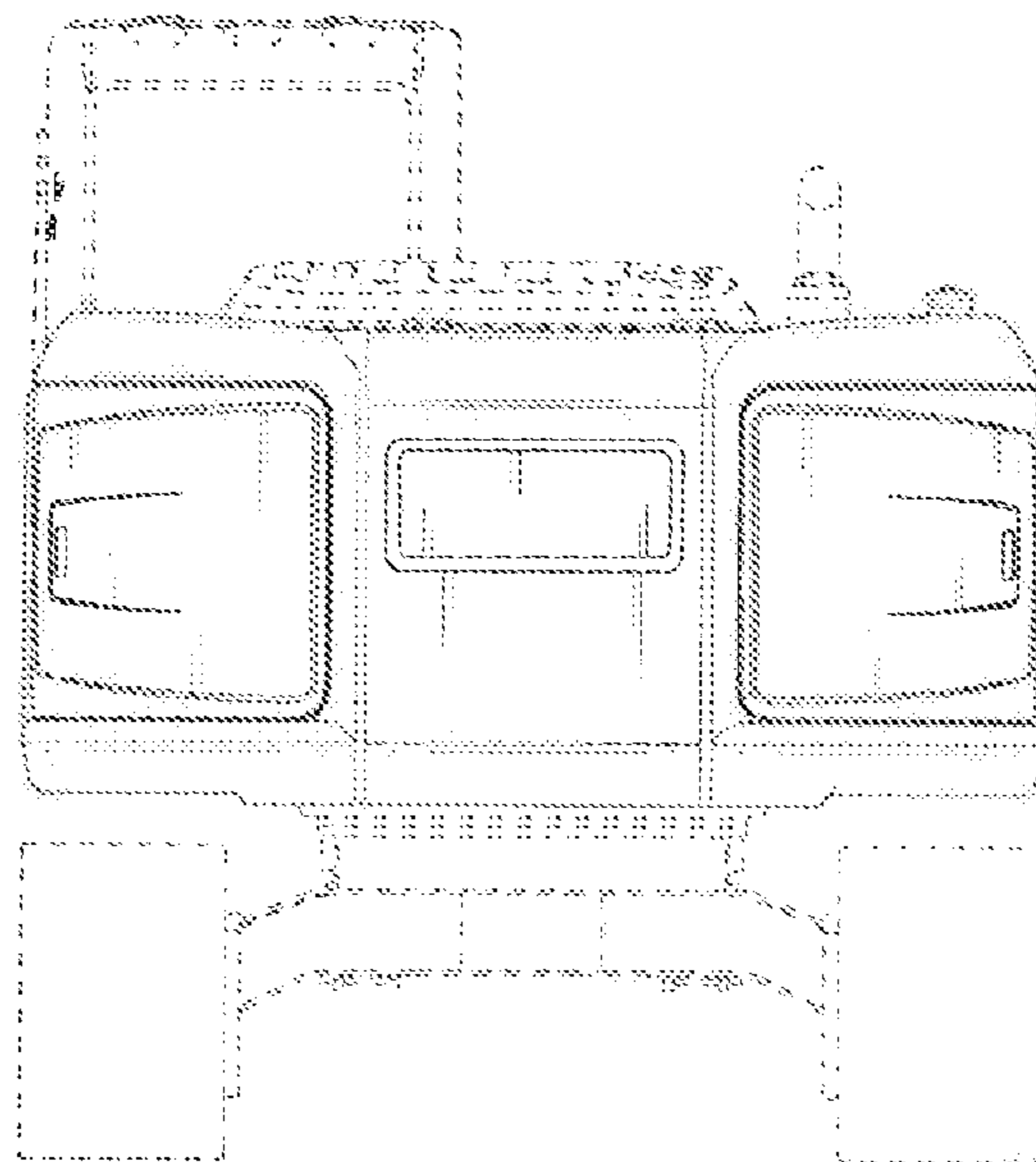


Fig. 7

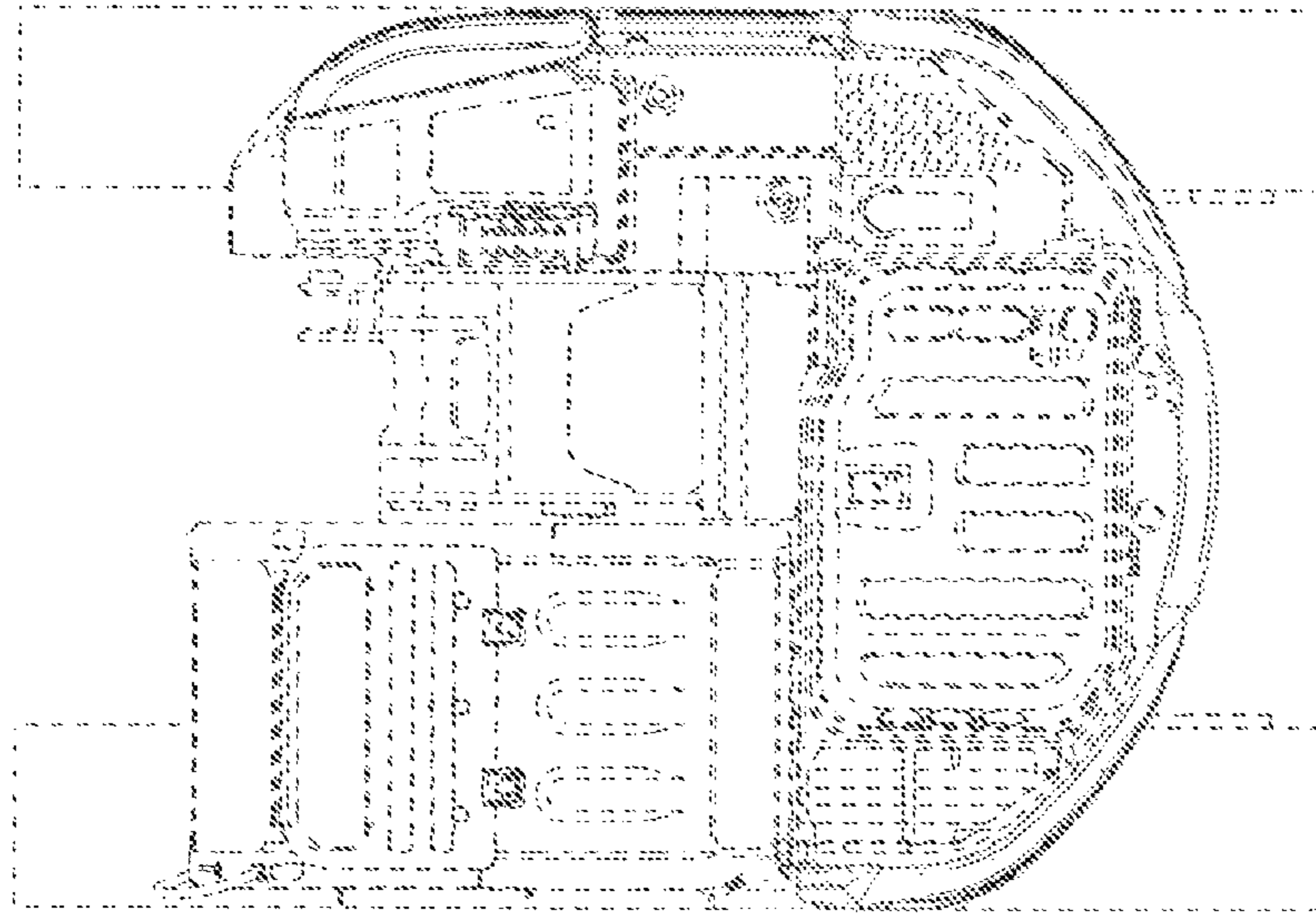


Fig. 8

