



US00D582945S

(12) **United States Design Patent**
Chou

(10) **Patent No.:** **US D582,945 S**

(45) **Date of Patent:** **** Dec. 16, 2008**

(54) **AIR COMPRESSOR**

(76) Inventor: **Wen San Chou**, No. 1-25, Kang Wei Village, An-Din Hsiang, Tainan Hsien (TW) 745

(**) Term: **14 Years**

(21) Appl. No.: **29/290,924**

(22) Filed: **Jan. 31, 2008**

(51) **LOC (8) Cl.** **15-02**

(52) **U.S. Cl.** **D15/9**

(58) **Field of Classification Search** D15/7-9;
D23/231, 232, 225; 417/410.1, 359, 415-416,
417/234, 321, 265, 405

See application file for complete search history.

(56) **References Cited**

U.S. PATENT DOCUMENTS

D498,243 S * 11/2004 Chou D15/7

D498,767 S * 11/2004 Chou D15/7

D499,426 S * 12/2004 Chou D15/7
D566,131 S * 4/2008 Detering et al. D15/9

* cited by examiner

Primary Examiner—R. Seifert

(74) *Attorney, Agent, or Firm*—Bacon & Thomas, PLLC

(57) **CLAIM**

The ornamental design for an air compressor, as shown.

DESCRIPTION

FIG. 1 is a perspective view of an air compressor showing my new design thereof;

FIG. 2 is a front elevational view thereof;

FIG. 3 is a rear elevational view thereof;

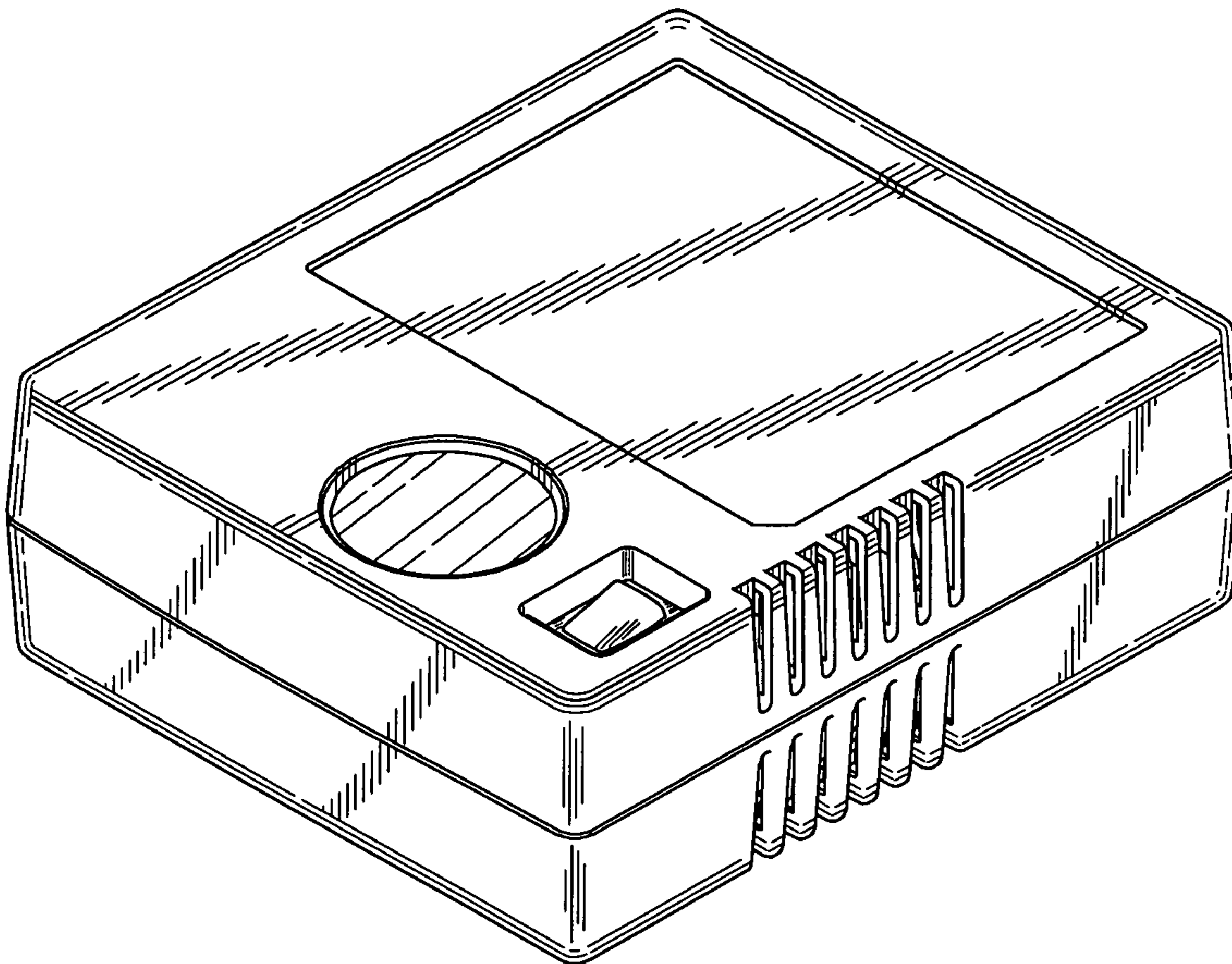
FIG. 4 is a left side elevational view thereof;

FIG. 5 is a right side elevational view thereof;

FIG. 6 is a top plan view thereof; and,

FIG. 7 is a bottom plan view thereof.

1 Claim, 5 Drawing Sheets



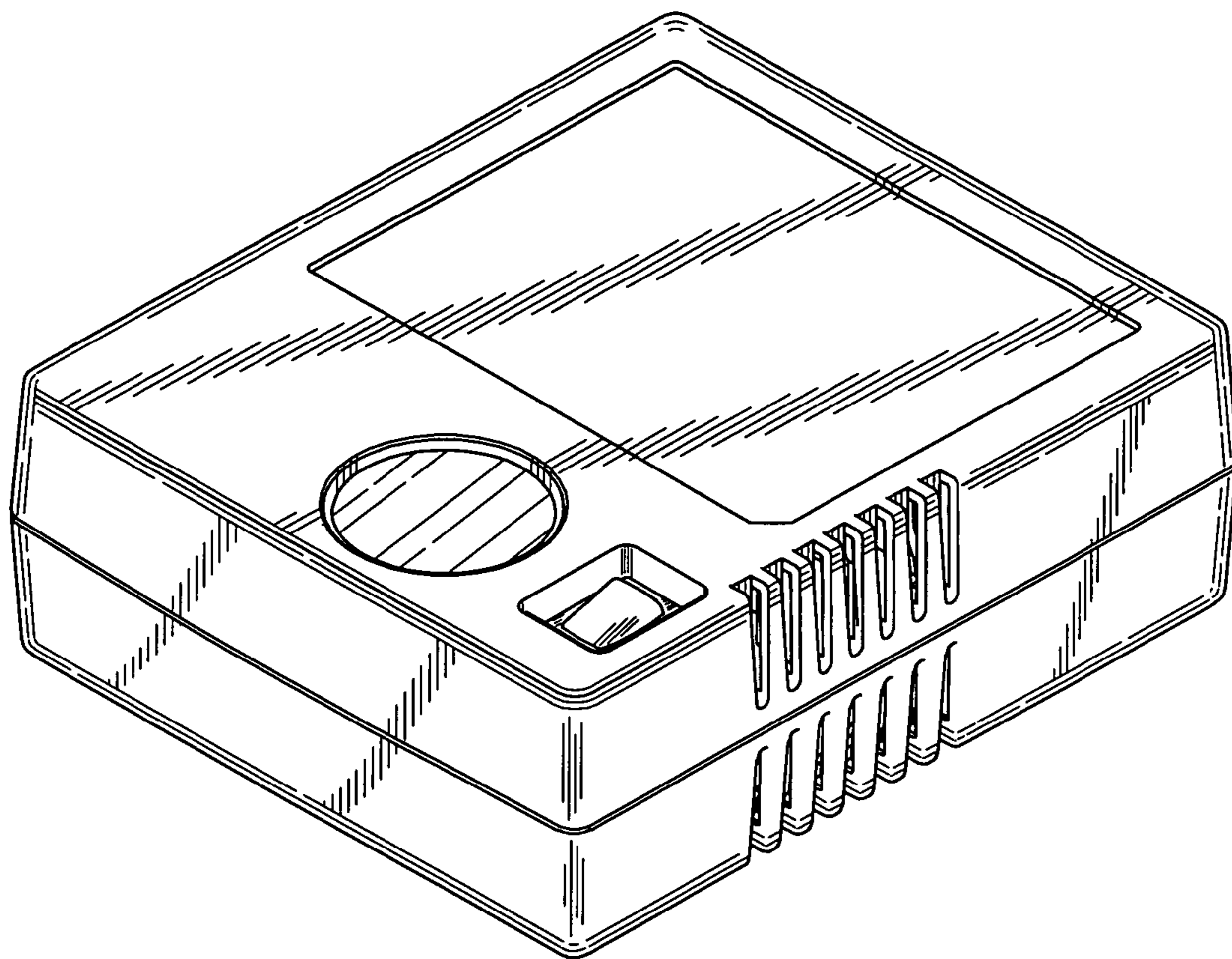


FIG. 1

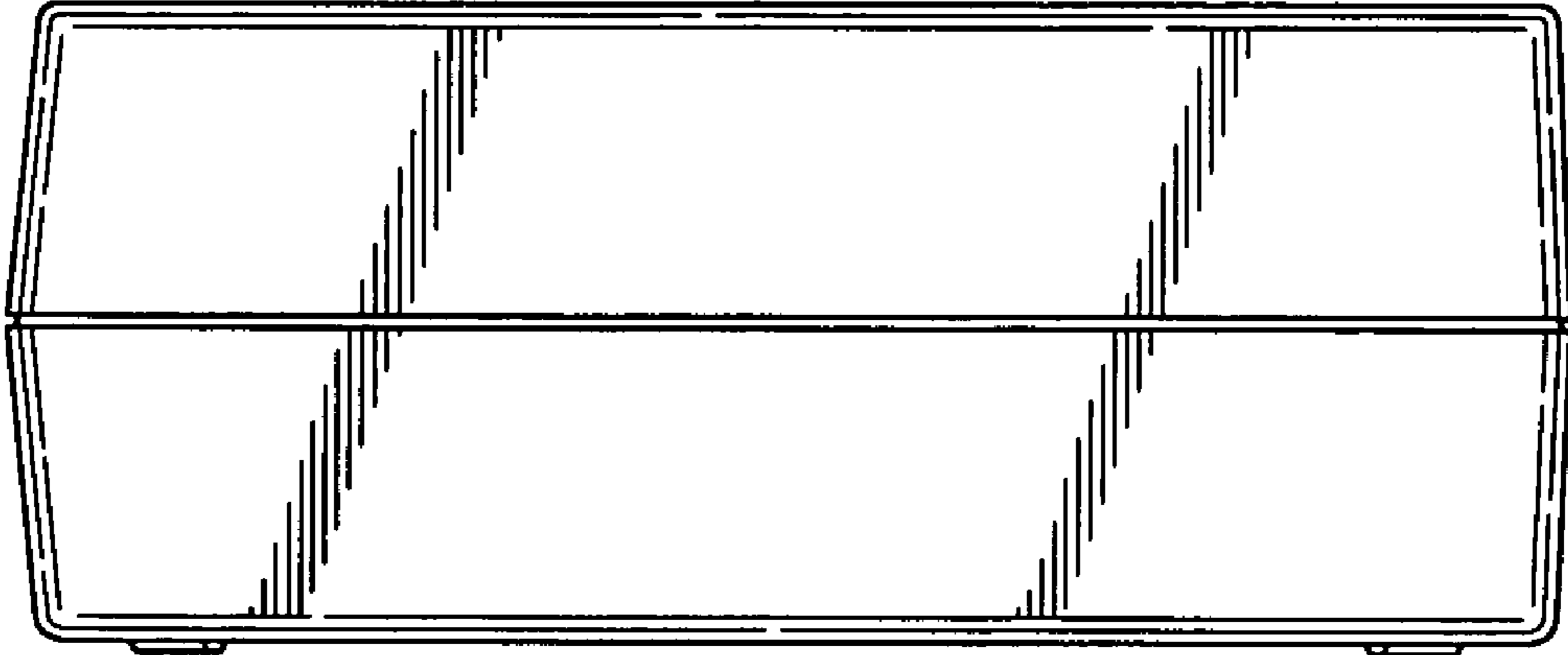


FIG. 2

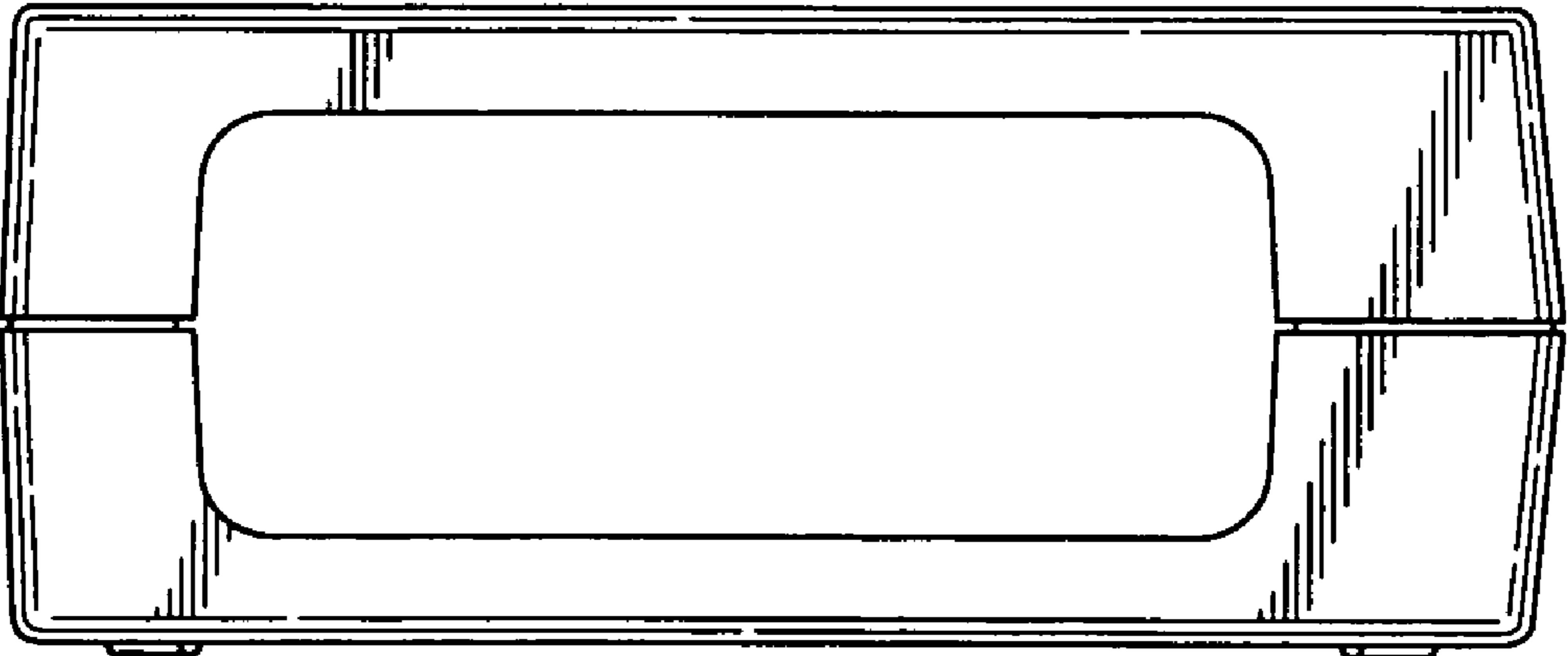


FIG. 3

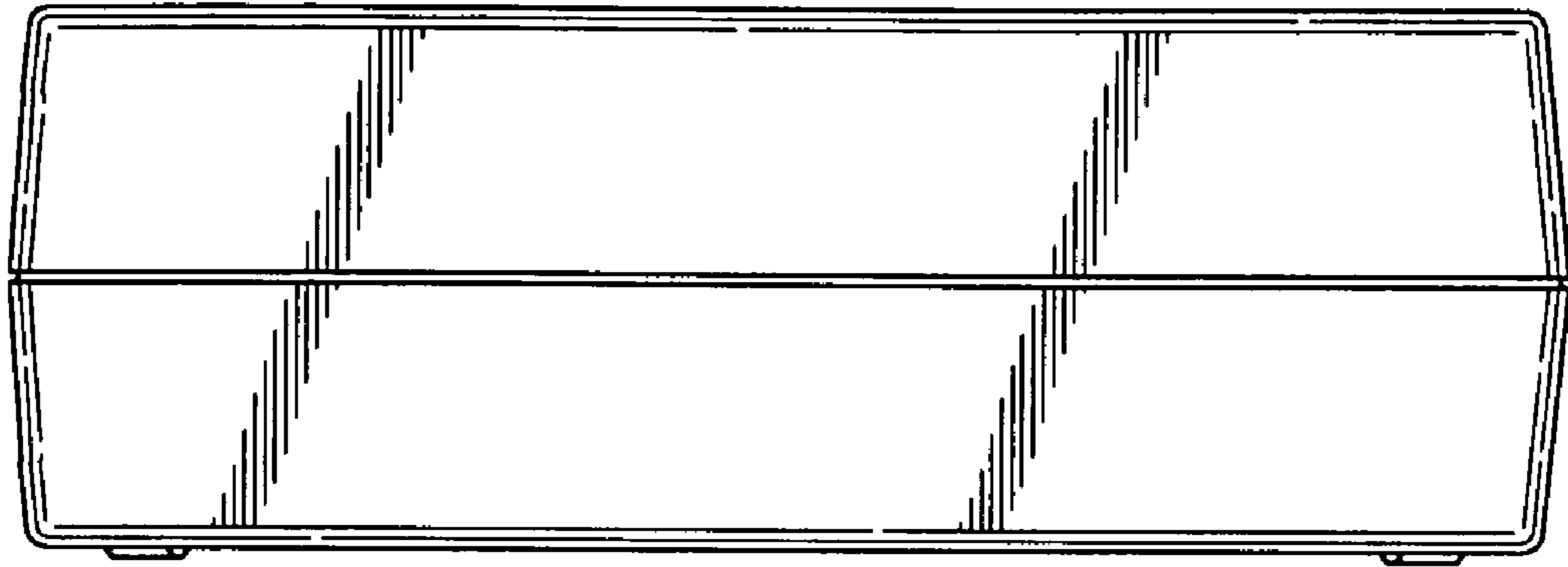


FIG. 4

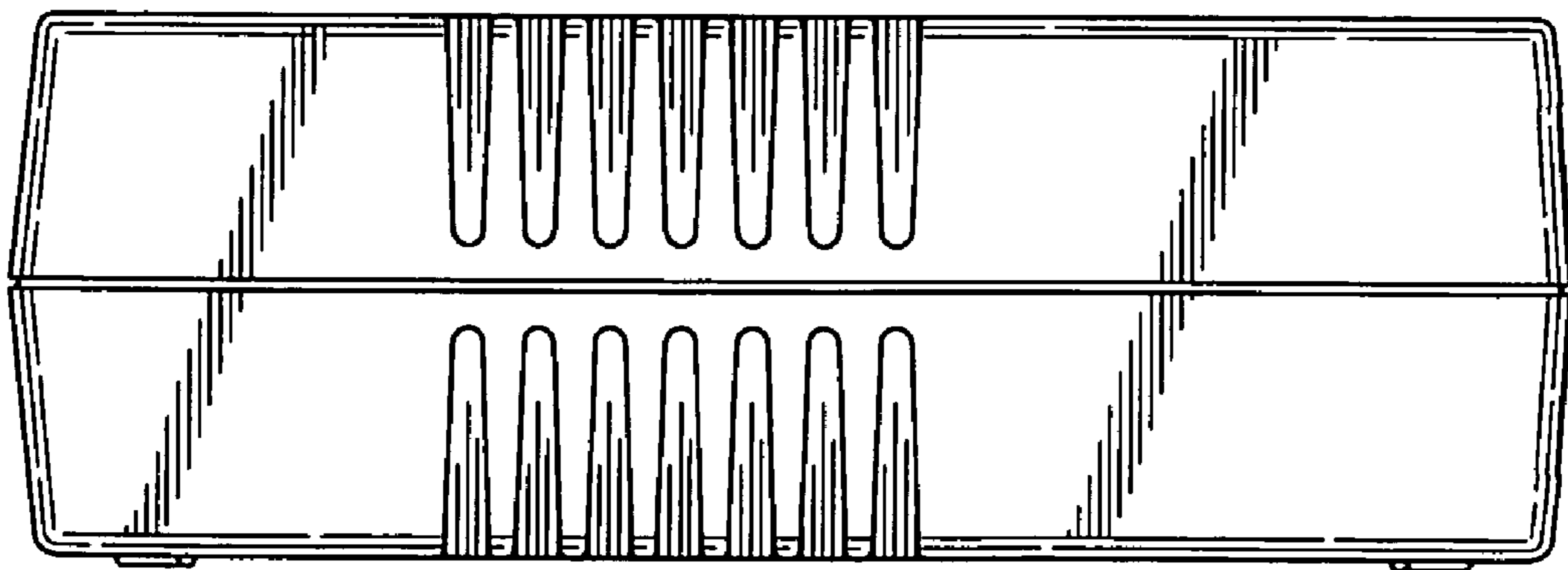


FIG. 5

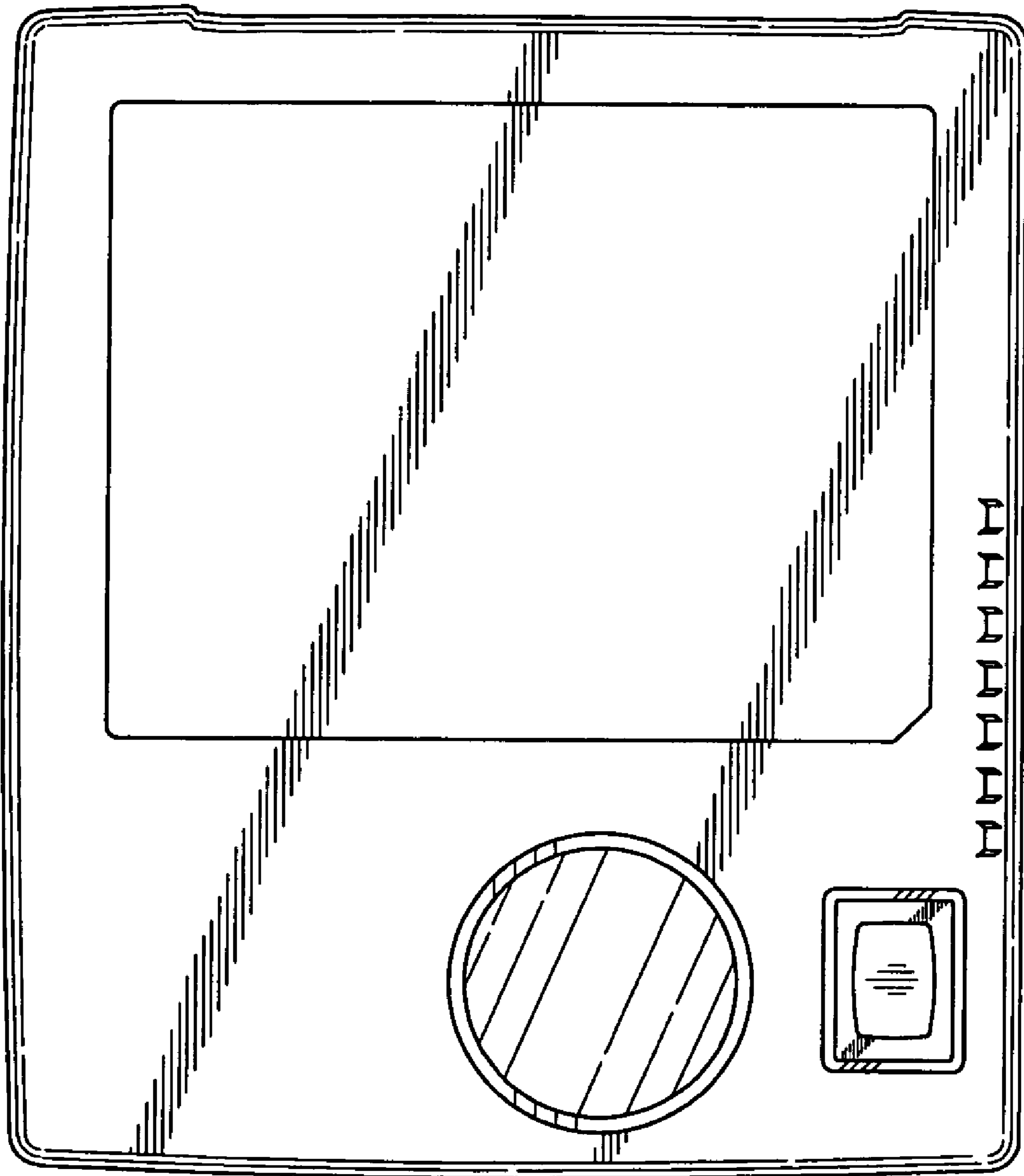


FIG. 6

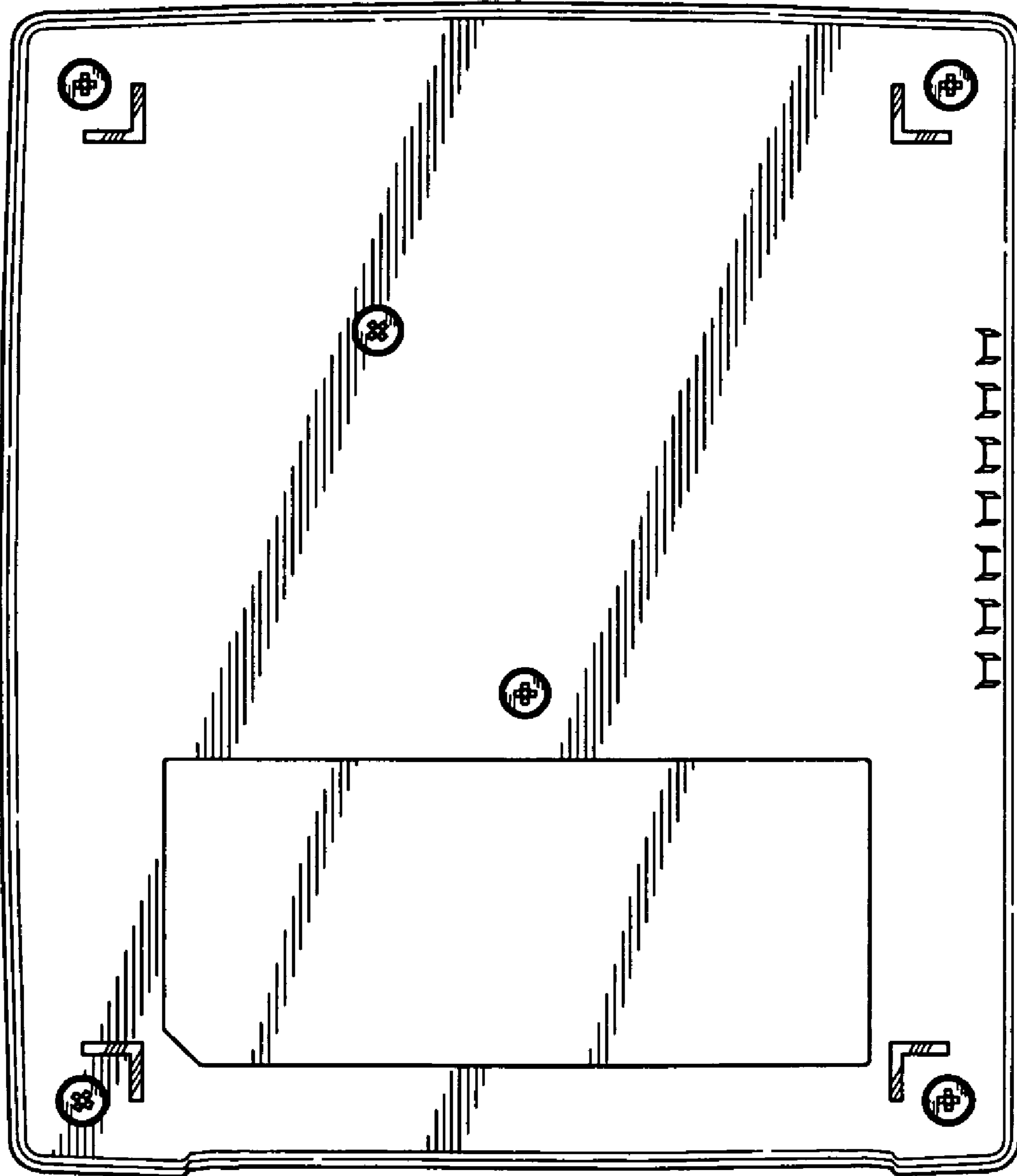


FIG. 7