



US00D582943S

(12) **United States Design Patent**
Pineda

(10) **Patent No.:** **US D582,943 S**

(45) **Date of Patent:** **** Dec. 16, 2008**

(54) **BAZOOKA FILL TUBE FOR A DRYWALL MUD PUMP**

D564,654 S * 3/2008 Say D24/108

* cited by examiner

(76) Inventor: **Jose R. Pineda**, 1818 Palisades Dr., West Palm Beach, FL (US) 33411

Primary Examiner—R. Seifert
(74) *Attorney, Agent, or Firm*—McHale & Slavin, P.A.

(**) Term: **14 Years**

(57) **CLAIM**

(21) Appl. No.: **29/280,217**

The ornamental design for a bazooka fill tube for a drywall mud pump, as shown and described.

(22) Filed: **May 21, 2007**

DESCRIPTION

(51) **LOC (8) Cl.** **15-02**

(52) **U.S. Cl.** **D15/5**

(58) **Field of Classification Search** D15/7-9;
D23/231, 232, 225; 417/410.1, 359, 415-416,
417/234, 321, 265, 405

See application file for complete search history.

FIG. 1 is a front perspective view of the bazooka fill tube for a drywall mud pump of the instant invention;
FIG. 2 is a left side view of the instant invention;
FIG. 3 is a right side view of the instant invention;
FIG. 4 is a rear view of the instant invention;
FIG. 5 is a front view of the instant invention;
FIG. 6 is a top view of the instant invention;
FIG. 7 is a bottom view of the instant invention; and,
FIG. 8 is a front perspective view of the instant invention illustrating the instant invention connected to a drywall mud pump.

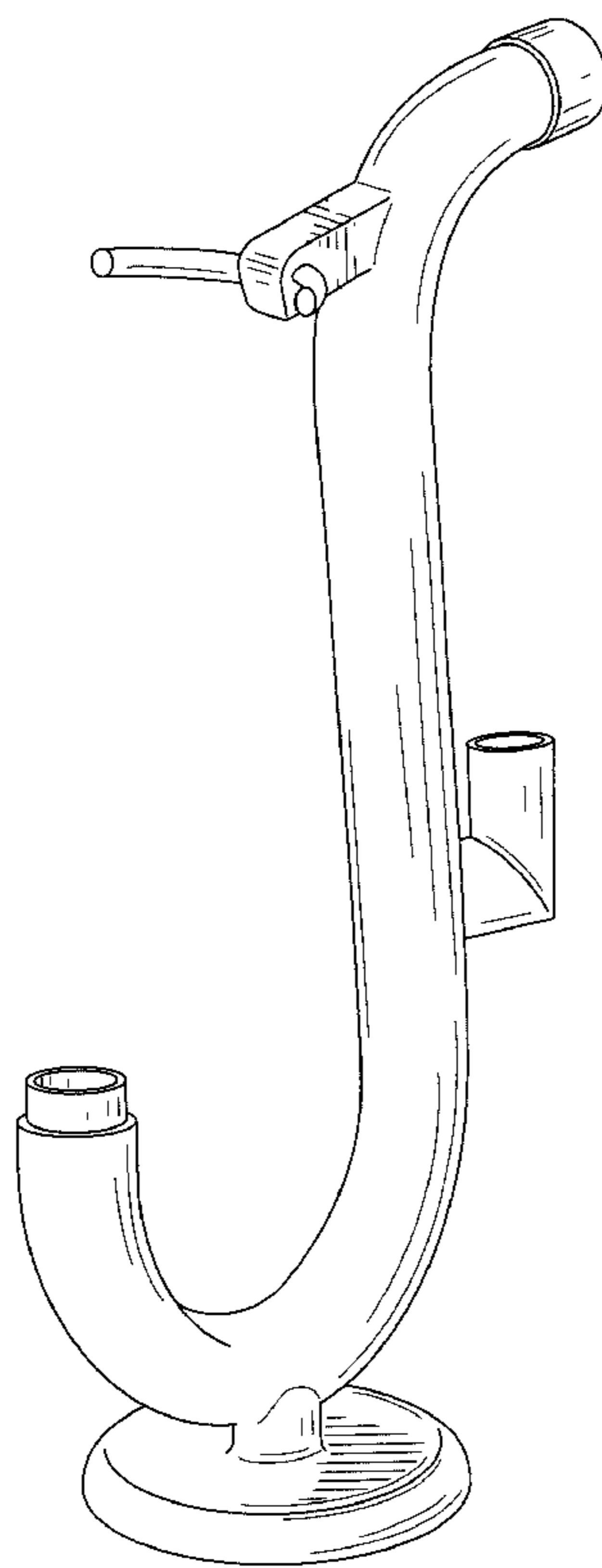
It being understood that the broken lines in FIG. 8 are for illustrative purposes only and form no part of the claimed design.

(56) **References Cited**

U.S. PATENT DOCUMENTS

- D233,511 S * 11/1974 Condon et al. D34/20
- D258,671 S * 3/1981 Sase D21/442
- D405,454 S * 2/1999 Bowen D15/7
- D435,048 S * 12/2000 Breeser et al. D15/7
- D440,229 S * 4/2001 Balint D15/7
- D495,341 S * 8/2004 O'Brien et al. D15/5
- D497,915 S * 11/2004 Bowen D15/7

1 Claim, 6 Drawing Sheets



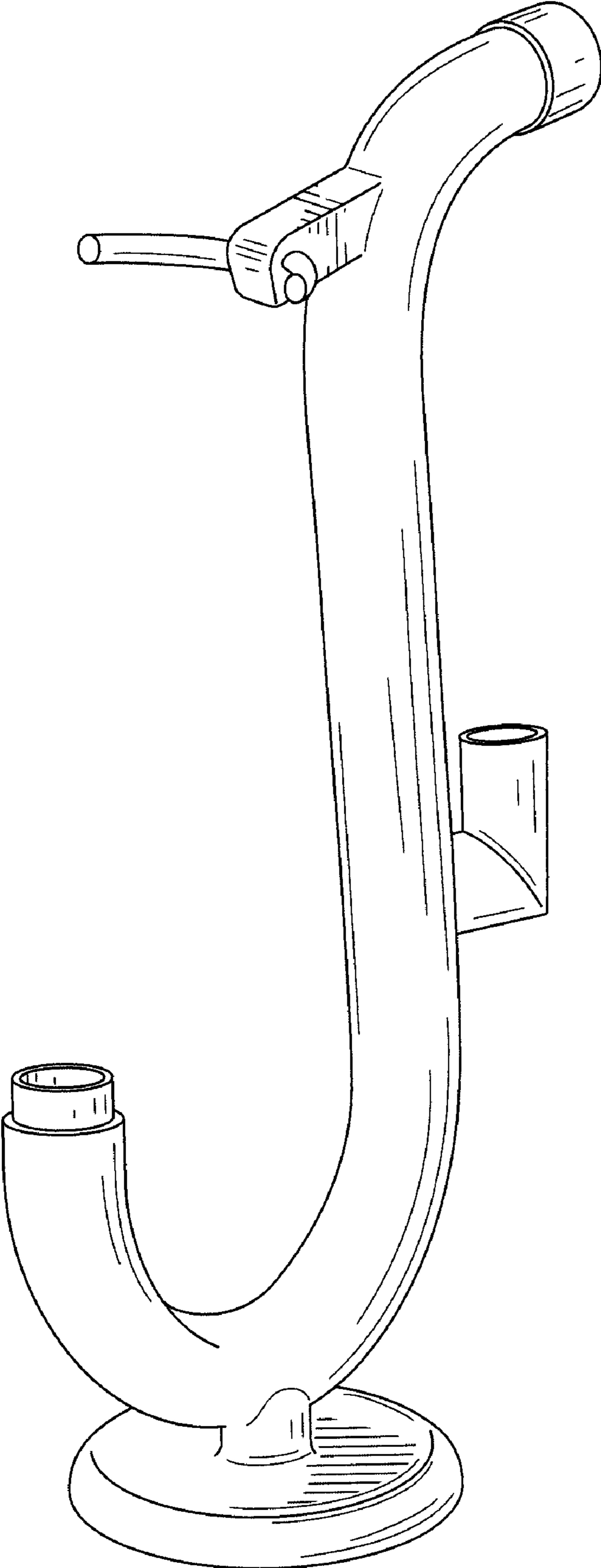


FIG. 1

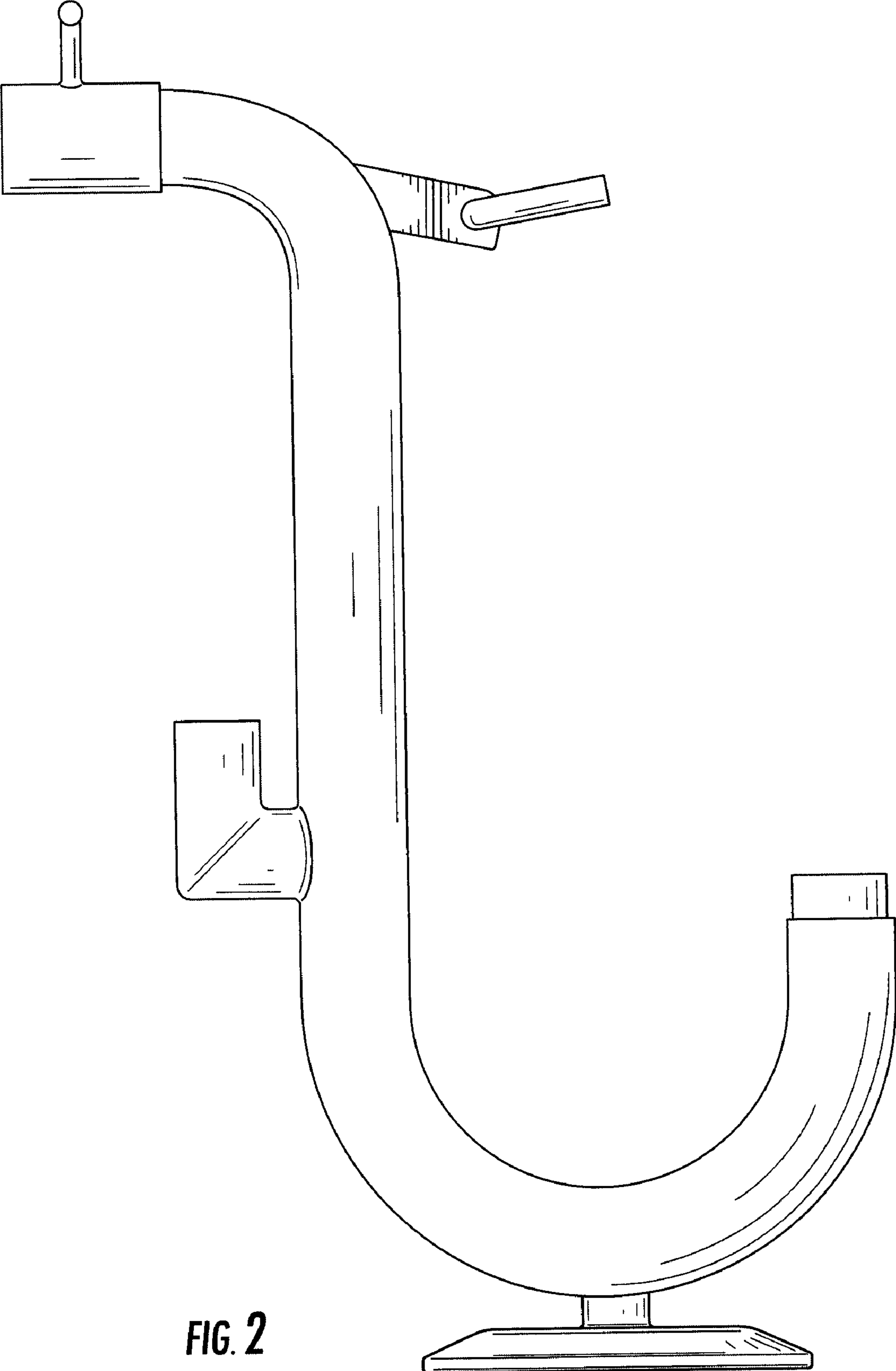


FIG. 2

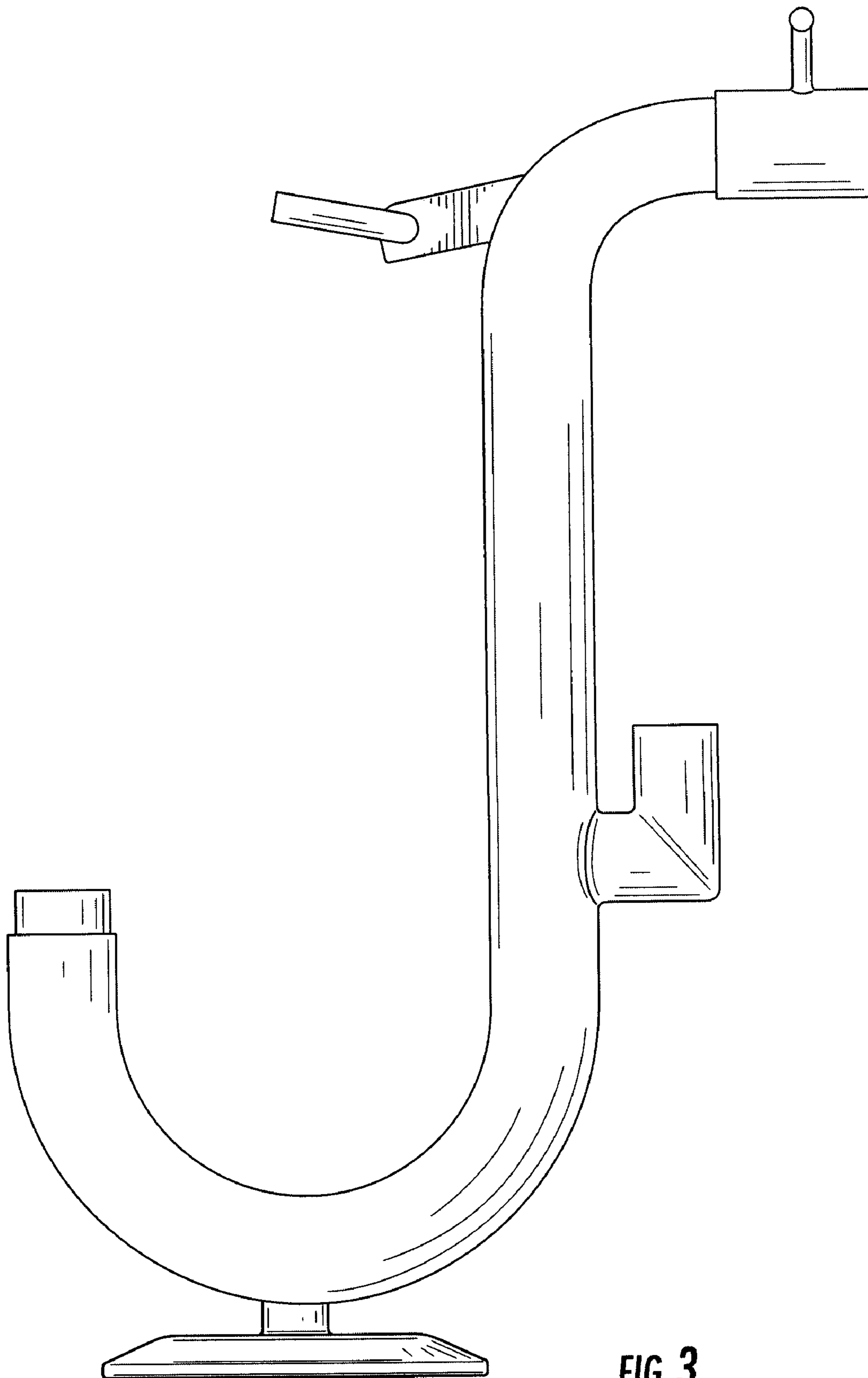


FIG. 3

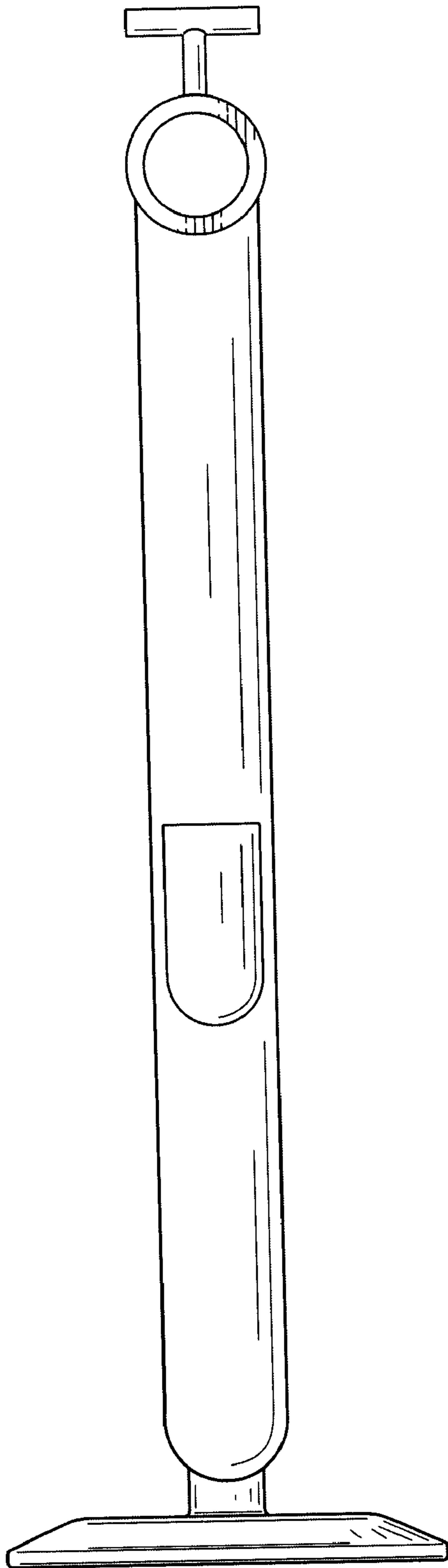


FIG. 4

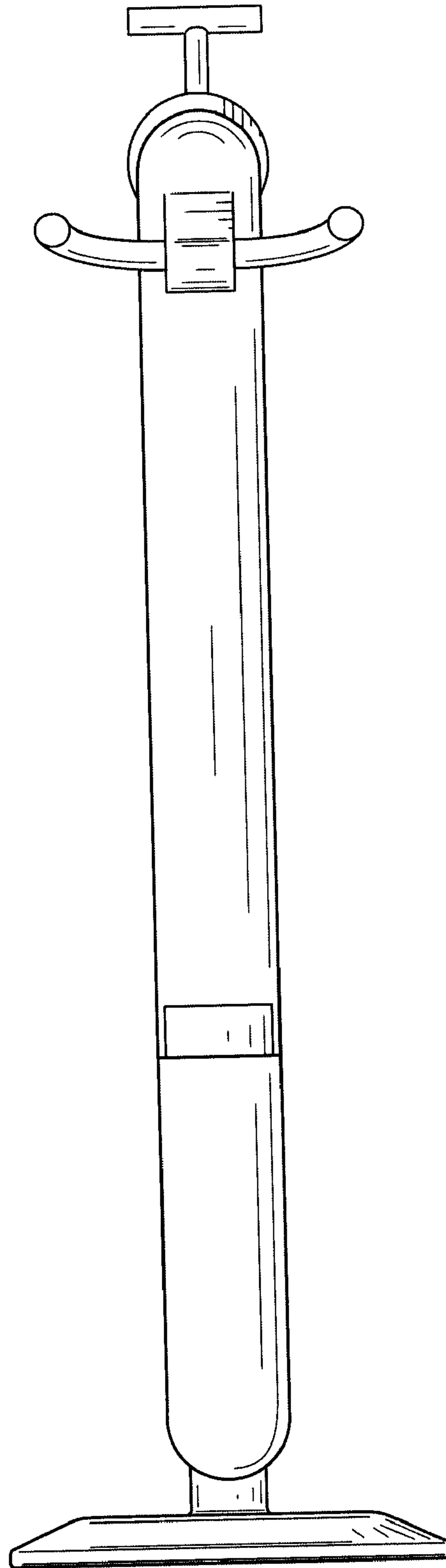


FIG. 5

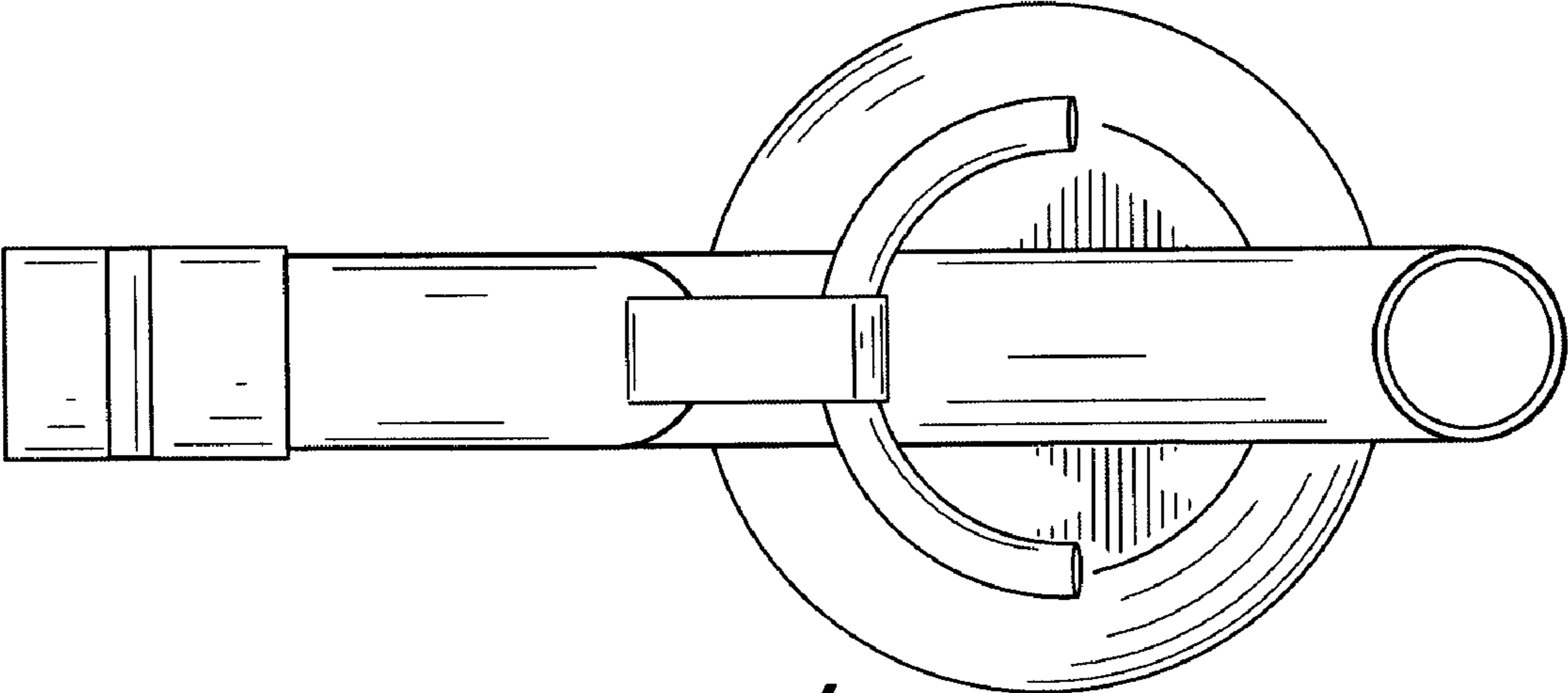


FIG. 6

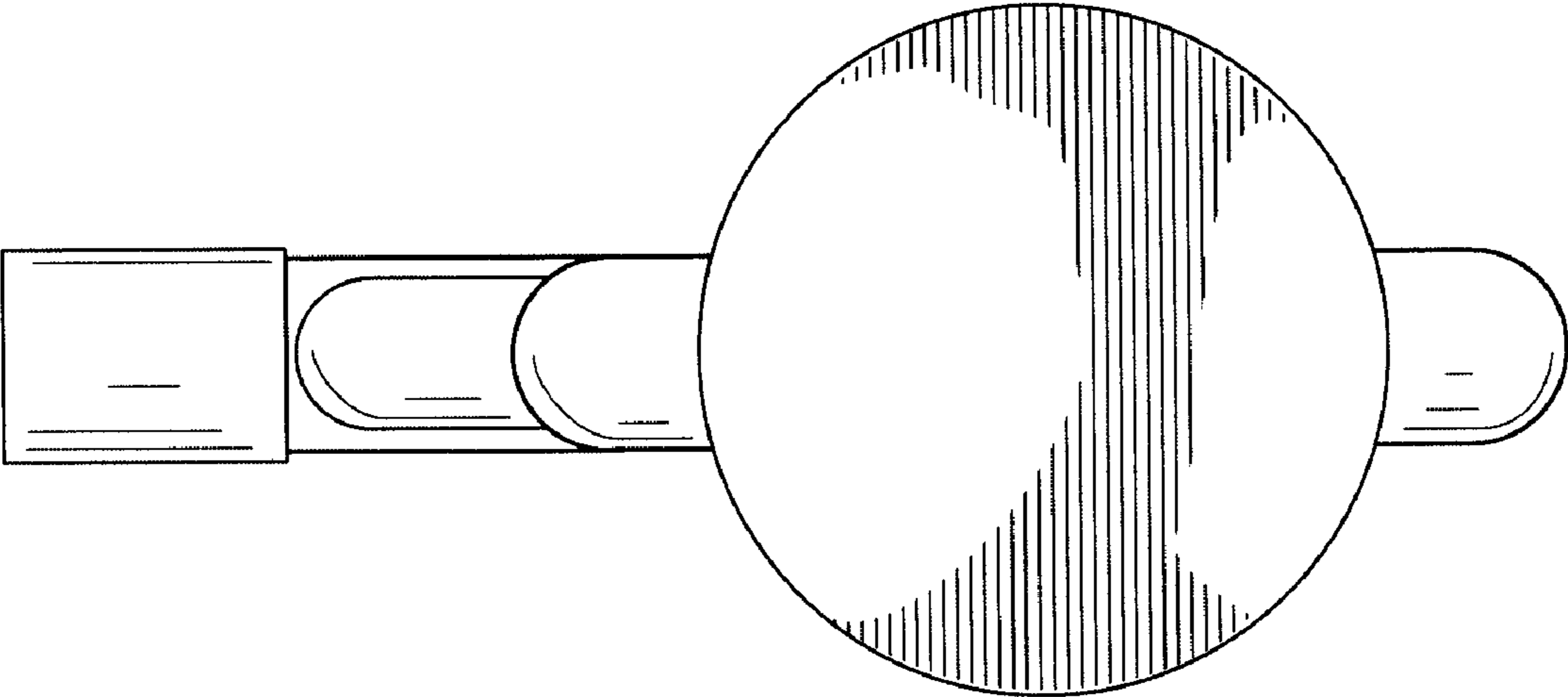


FIG. 7

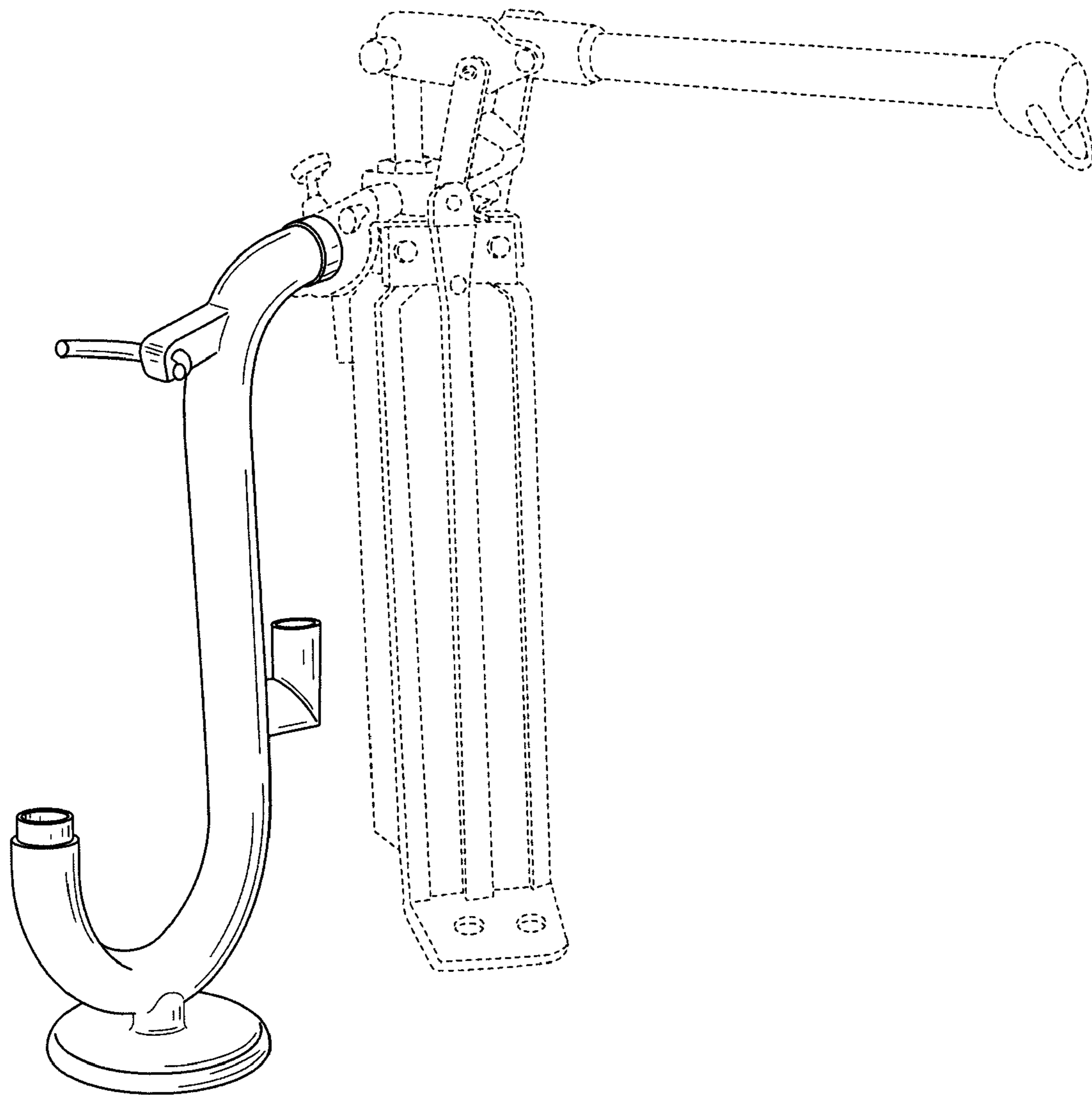


FIG. 8