

US00D582942S

(12) **United States Design Patent**
Pineda

(10) **Patent No.:** **US D582,942 S**
(45) **Date of Patent:** **** Dec. 16, 2008**

(54) **DUAL NOZZLE SPOUT FOR A DRYWALL MUD PUMP**

(76) **Inventor:** **Jose R. Pineda**, 1818 Palisades Dr., West Palm Beach, FL (US) 33411

(**) **Term:** **14 Years**

(21) **Appl. No.:** **29/280,216**

(22) **Filed:** **May 21, 2007**

(51) **LOC (8) Cl.** **15-02**

(52) **U.S. Cl.** **D15/5**

(58) **Field of Classification Search** D15/7-9;
D23/231, 232, 225; 417/410.1, 359, 415-416,
417/234, 321, 265, 405

See application file for complete search history.

(56) **References Cited**

U.S. PATENT DOCUMENTS

| | | | | |
|--------------|---------|---------------|-------|--------|
| D316,418 S * | 4/1991 | Benson | | D15/5 |
| D339,144 S * | 9/1993 | Cline, Sr. | | D15/7 |
| D497,945 S * | 11/2004 | Sasaki et al. | | D18/56 |
| D514,591 S * | 2/2006 | Bender | | D15/5 |
| D514,594 S * | 2/2006 | Amin | | D15/7 |

* cited by examiner

Primary Examiner—R. Seifert

(74) *Attorney, Agent, or Firm*—McHale & Slavin, P.A.

(57) **CLAIM**

The ornamental design for a dual nozzle spout for a drywall mud pump, as shown and described.

DESCRIPTION

Reference being had to the accompanying drawing, forming a part hereof, the portions of drawings illustrated by broken lines are for illustrative purposes and form no part of the claimed design:

FIG. 1 is a top perspective view of the dual nozzle spout for a drywall mud pump of the instant invention;

FIG. 2 is a top view of the instant invention;

FIG. 3 is a bottom view of the instant invention;

FIG. 4 is a right side view of the instant invention;

FIG. 5 is a left side view of the instant invention;

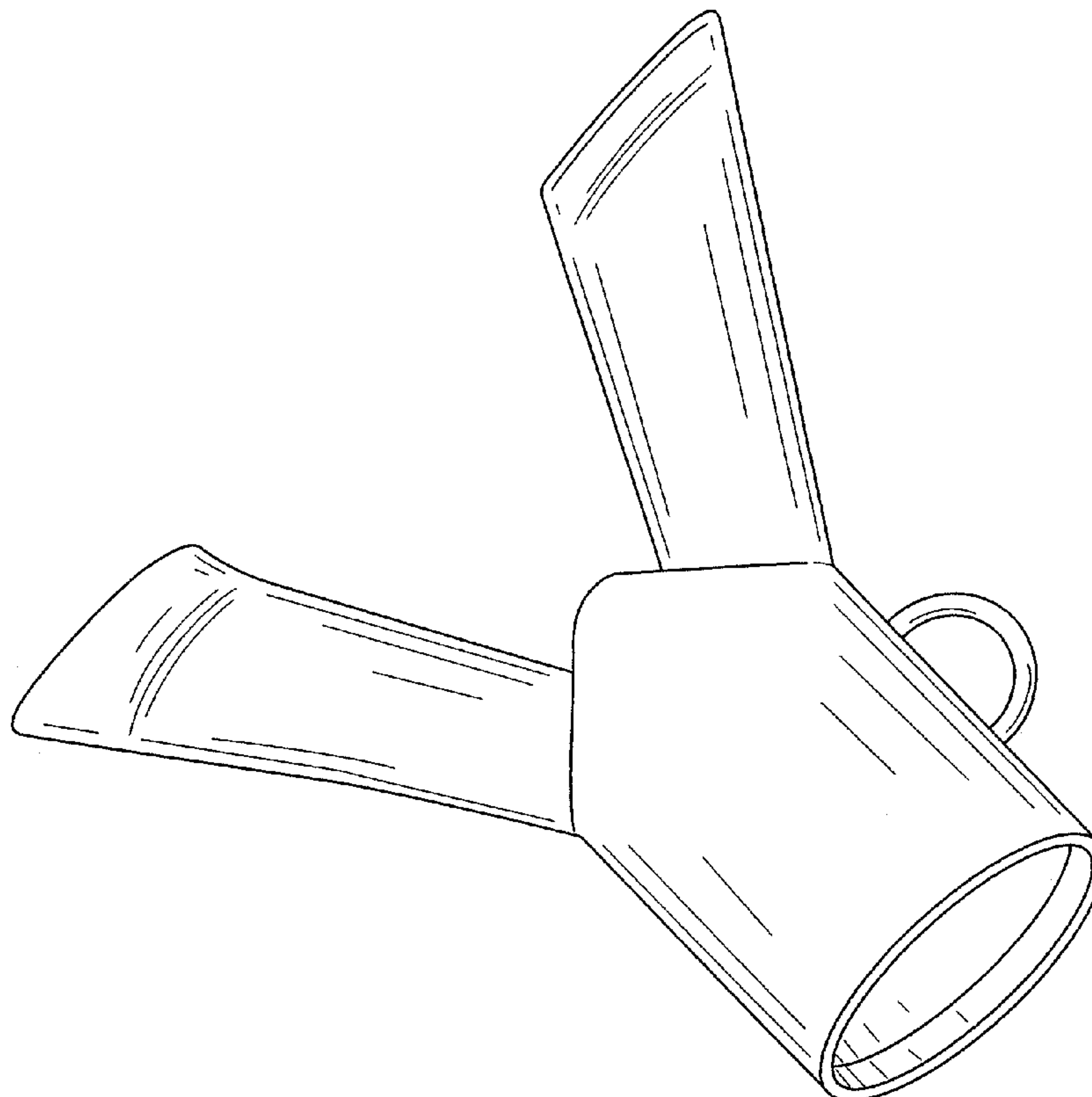
FIG. 6 is a front view of the instant invention;

FIG. 7 is a rear view of the instant invention; and,

FIG. 8 is a front perspective view of the instant invention illustrating the instant invention connected to a drywall mud pump.

It being understood that the broken lines in FIG. 8 are for illustrative purposes only and form no part of the claimed design.

1 Claim, 6 Drawing Sheets



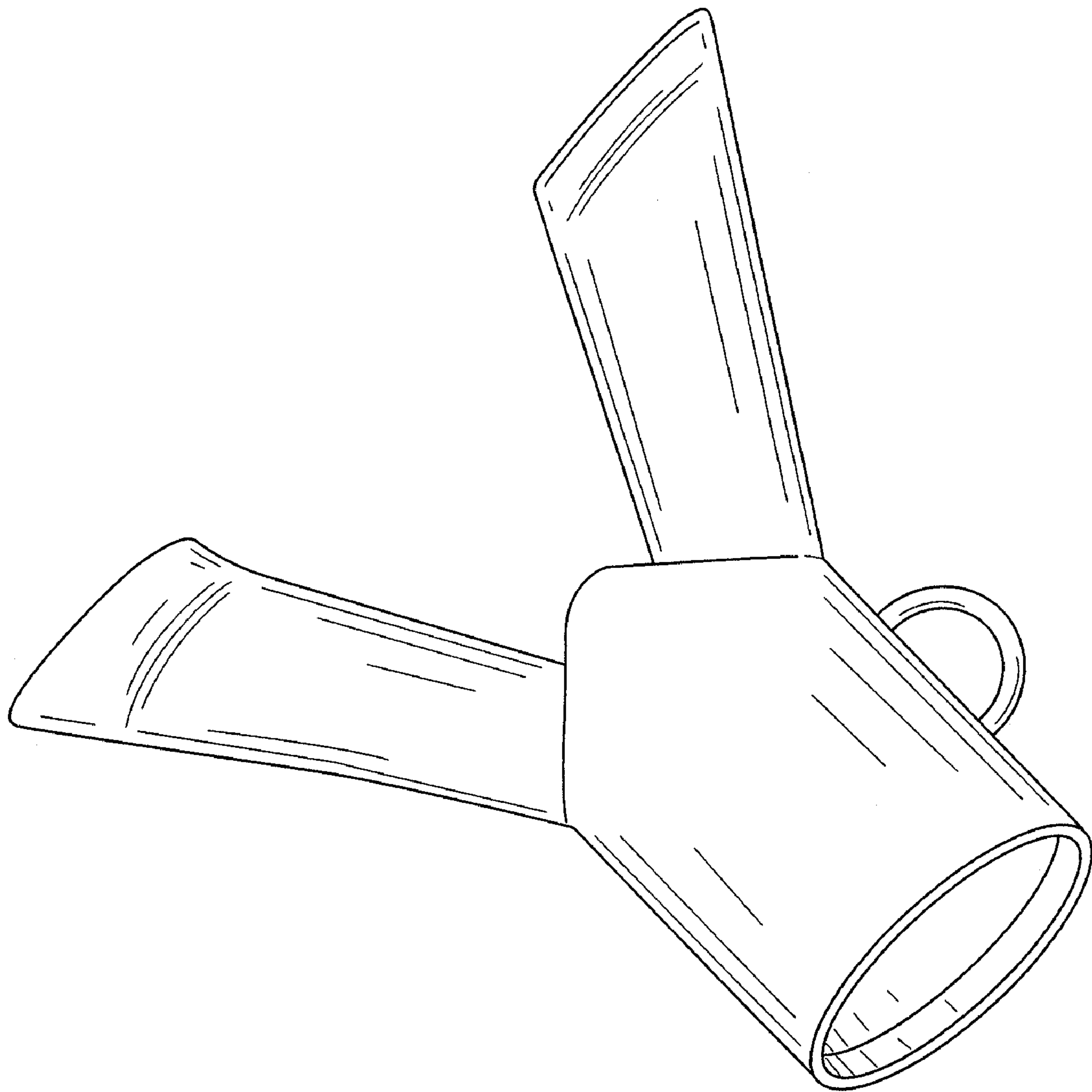


FIG. 1

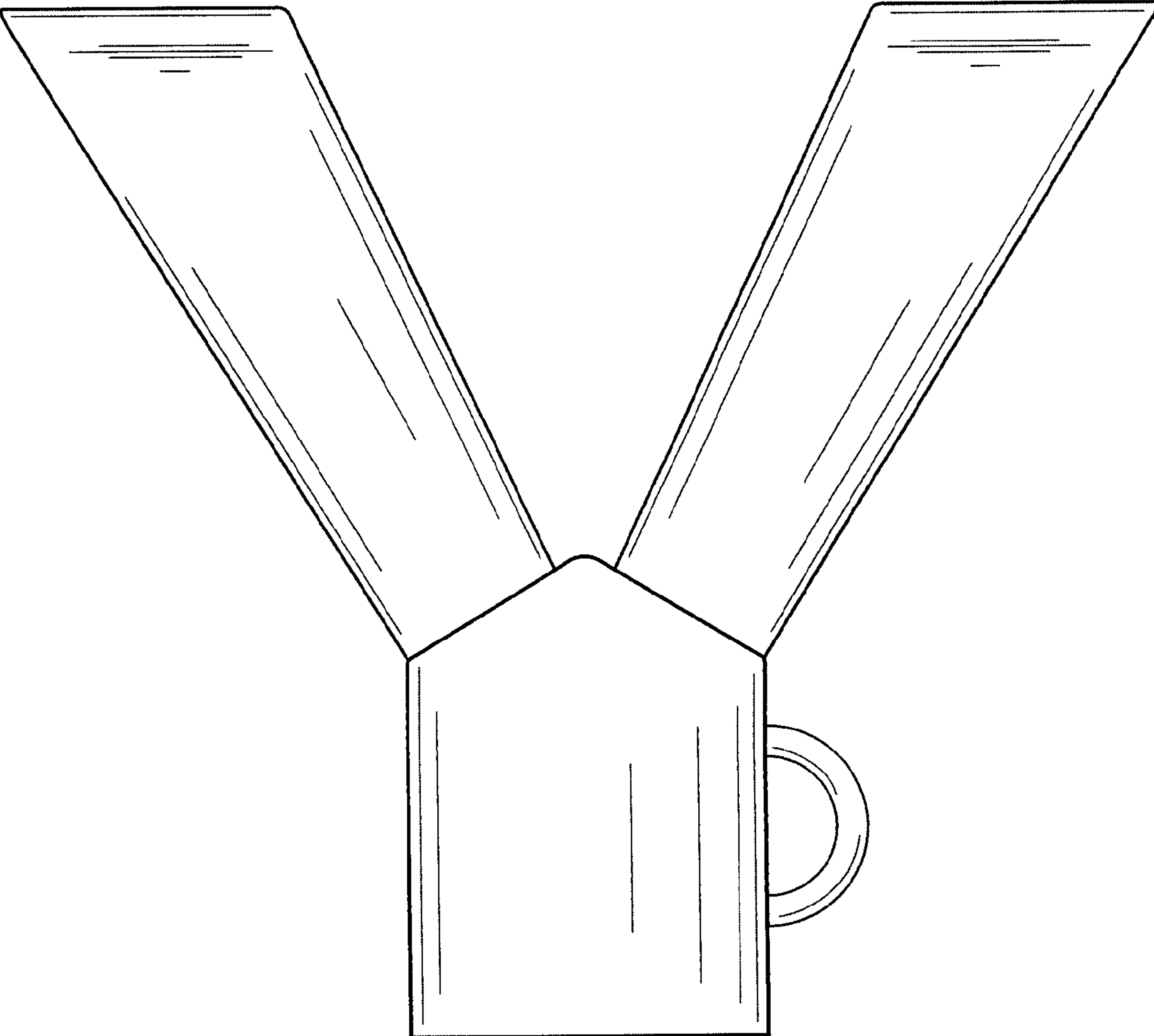


FIG. 2

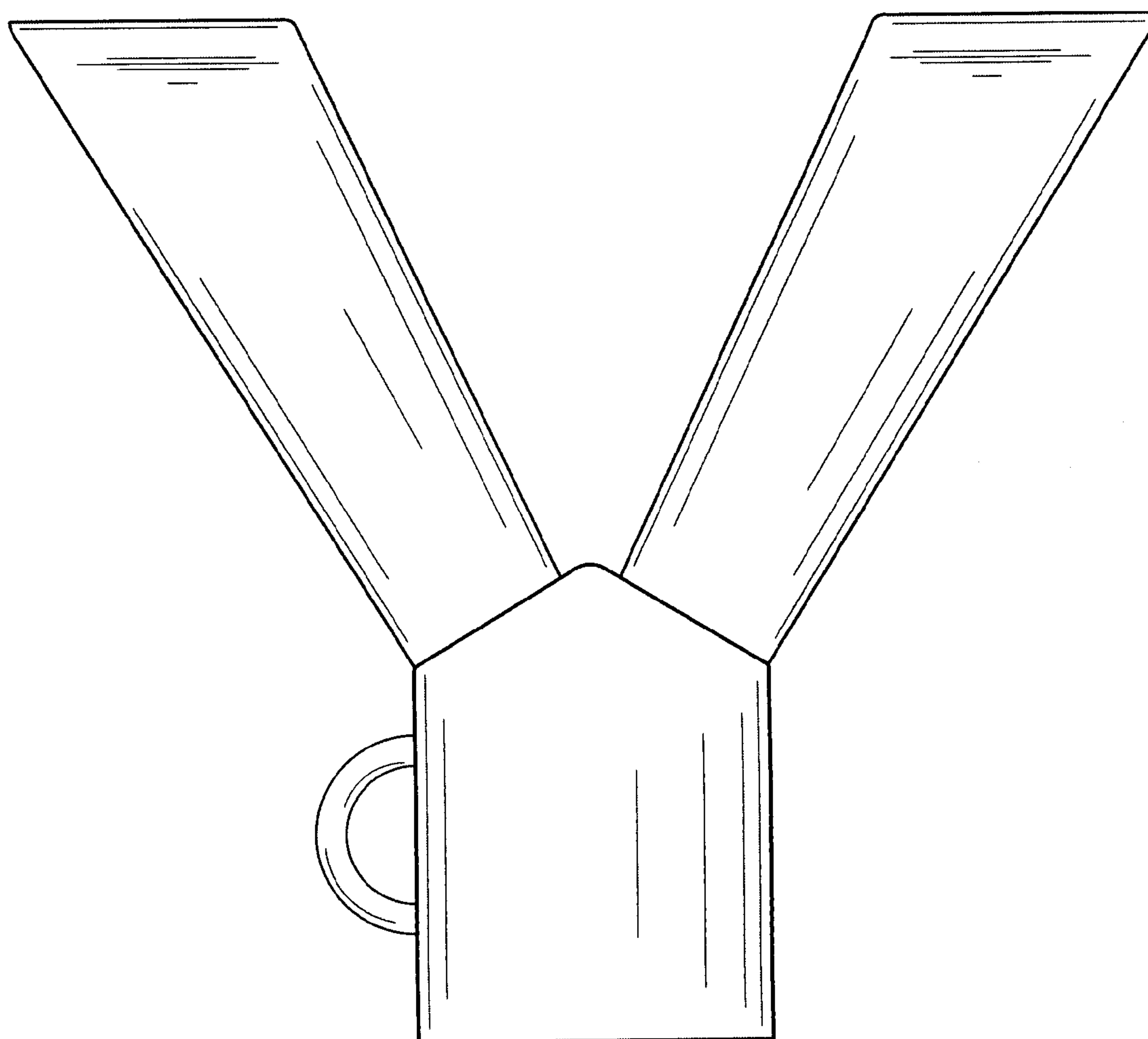


FIG. 3

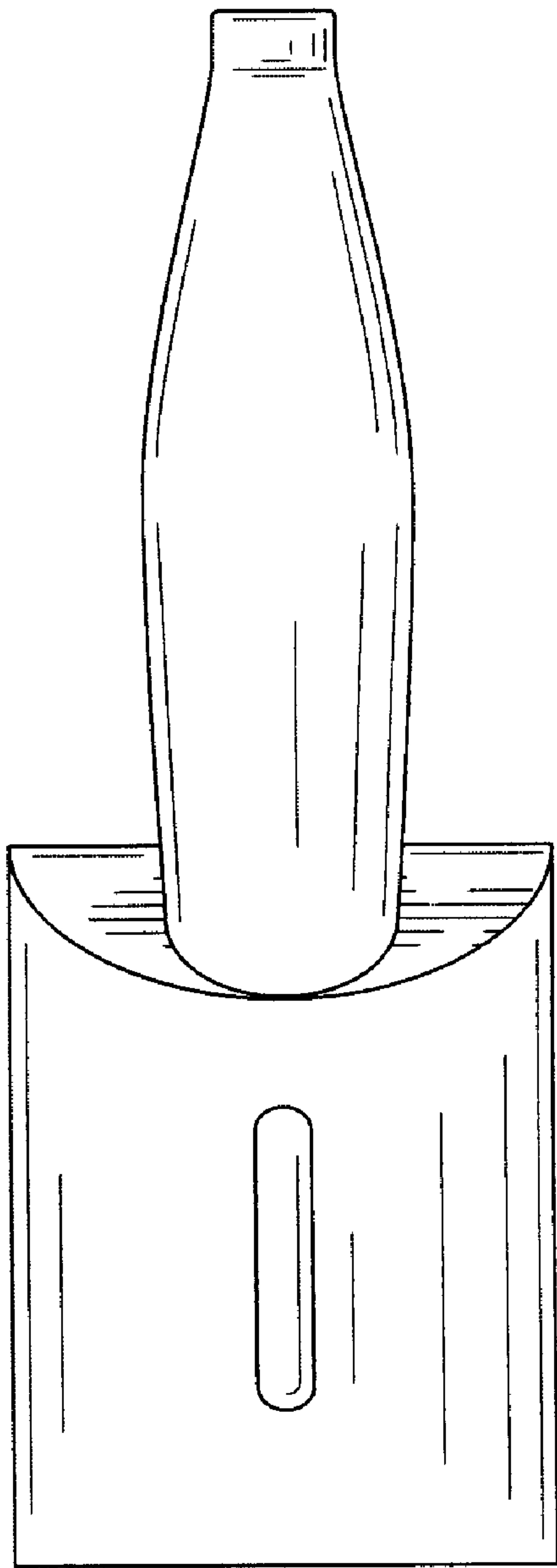


FIG. 4

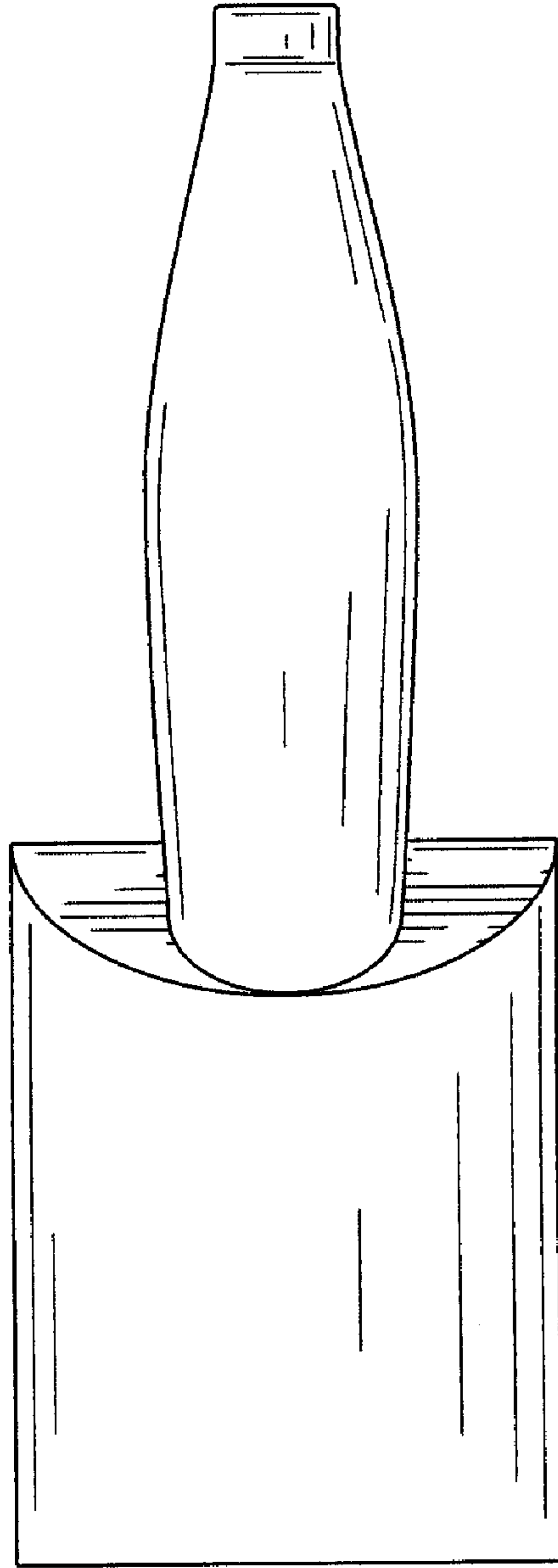


FIG. 5

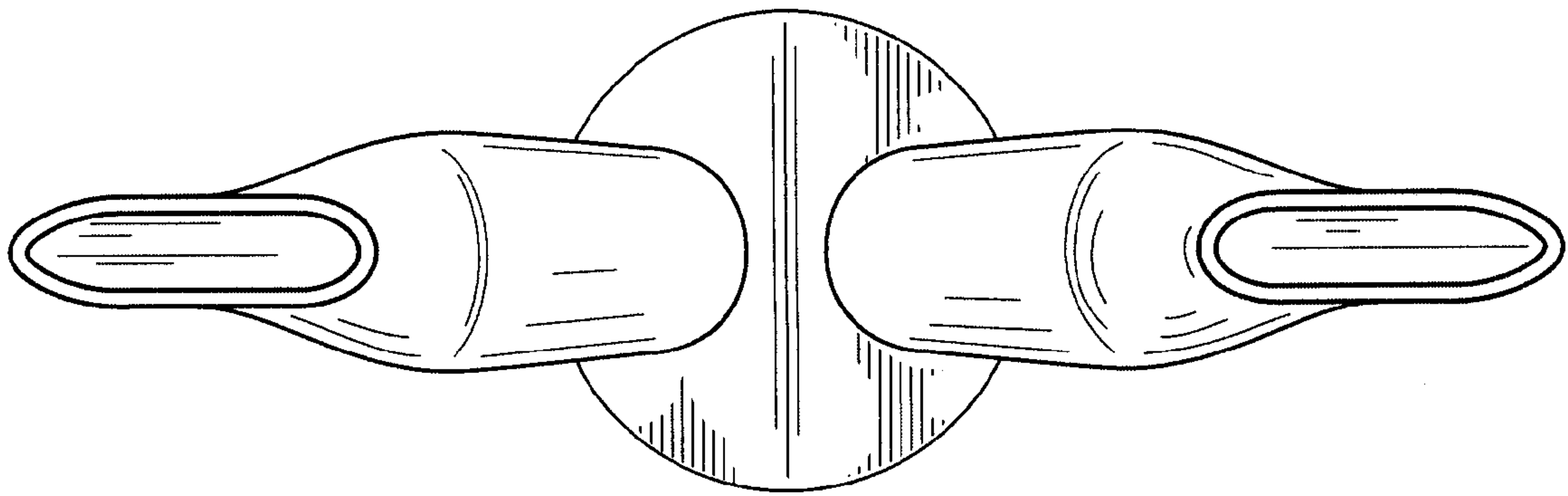


FIG. 6

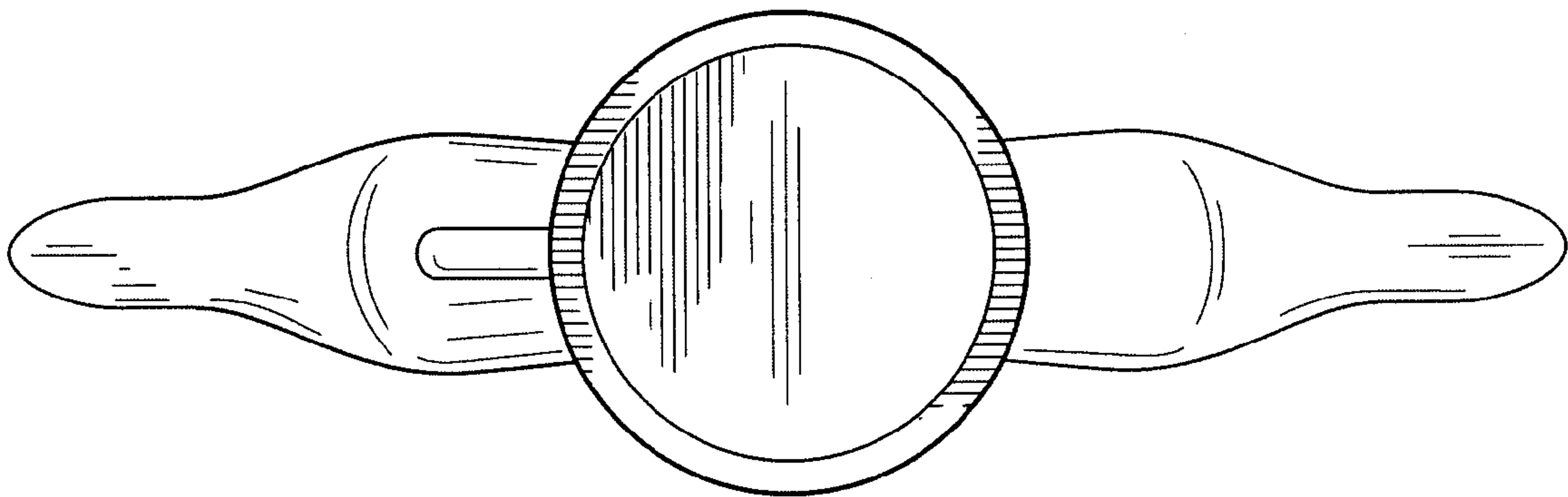


FIG. 7

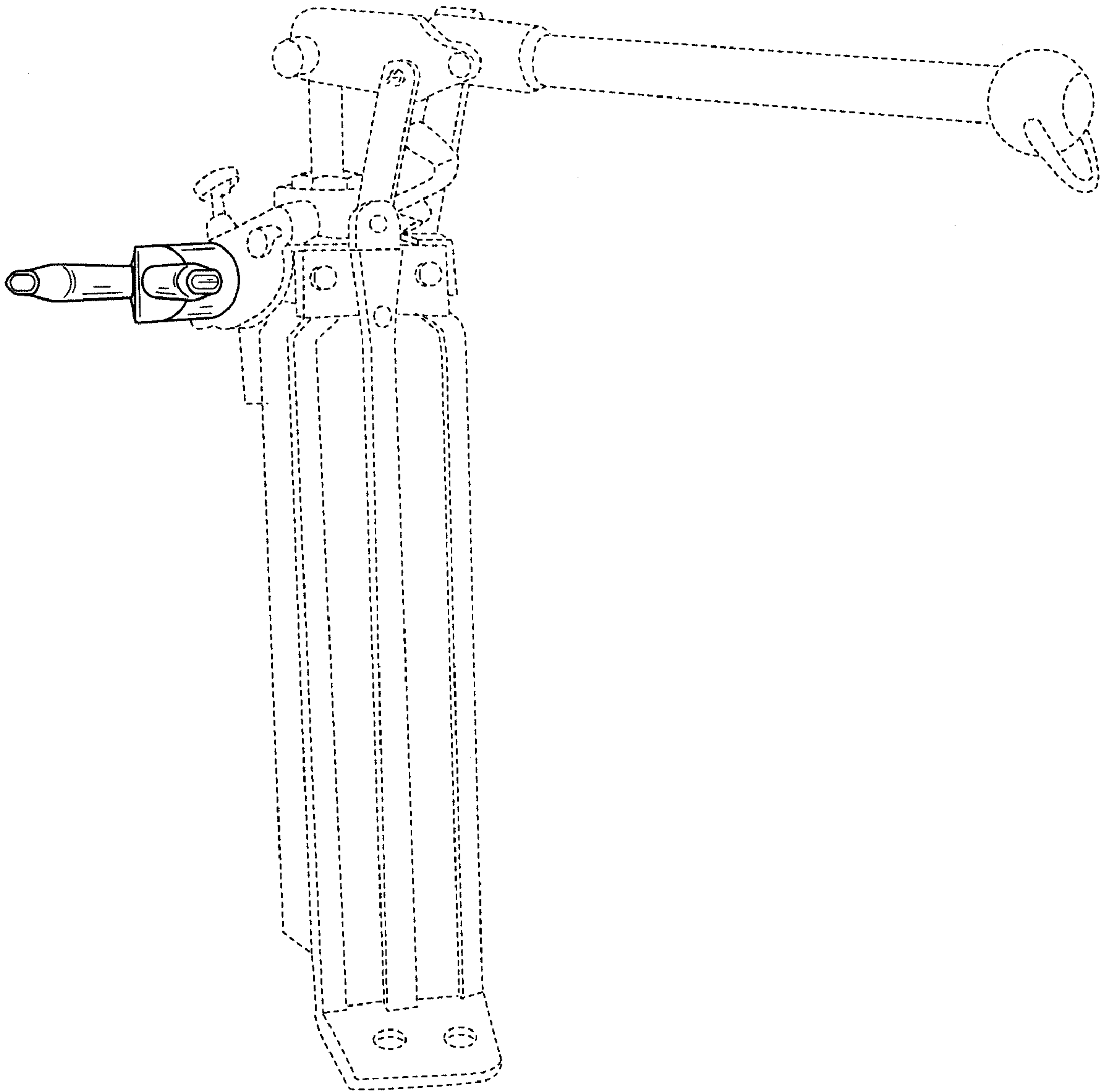


FIG. 8