



US00D582931S

(12) **United States Design Patent**  
**Blankenship et al.**

(10) **Patent No.:** **US D582,931 S**

(45) **Date of Patent:** **\*\* Dec. 16, 2008**

(54) **DISPLAY PANEL WITH A  
COMPUTER-GENERATED ICON**

(75) Inventors: **Esther M. Blankenship**, Mannheim  
(DE); **Leif Jensen-Pistorius**, Ostringen  
(DE); **Peer Hilgers**, St. Leon-Rot (DE);  
**Vera Legisa**, Karlsruhe (DE); **Nenad  
Dordevic**, Mannheim (DE)

(73) Assignee: **SAP AG**, Walldorf (DE)

(\*\*) Term: **14 Years**

(21) Appl. No.: **29/284,879**

(22) Filed: **Sep. 17, 2007**

(51) **LOC (8) Cl.** ..... **14-04**

(52) **U.S. Cl.** ..... **D14/485**

(58) **Field of Classification Search** ..... D14/485-495;  
345/902, 955, 956, 960; 715/207, 275, 700,  
715/703, 716, 719, 720, 721, 726, 727, 728,  
715/730, 738, 739, 740, 762, 763, 764, 768,  
715/769, 771, 772, 773, 774, 778, 779, 783,  
715/784, 810, 811, 812, 813, 814, 815, 816,  
715/817, 818, 819, 820, 821, 822, 823, 824,  
715/825, 828, 829, 830, 831, 835, 836, 837,  
715/838, 839, 840, 841, 842, 843, 844, 845,  
715/846, 847, 860, 861, 864; 715/867, 962,  
715/977

See application file for complete search history.

(56) **References Cited**

**U.S. PATENT DOCUMENTS**

5,089,950 A \* 2/1992 Miyata et al. .... 700/86

5,528,746 A *	6/1996	Yumine et al. ....	715/840
6,184,879 B1 *	2/2001	Minemura et al. ....	715/723
6,741,268 B1 *	5/2004	Hayakawa .....	715/777
6,747,678 B1 *	6/2004	Katayama et al. ....	715/773
D550,691 S *	9/2007	Hally et al. ....	D14/487
D568,333 S *	5/2008	Okaro et al. ....	D14/487
D570,363 S *	6/2008	Ulm et al. ....	D14/487
7,385,592 B2 *	6/2008	Collins .....	345/173
D573,600 S *	7/2008	Kaminaga .....	D14/486
2004/0046796 A1 *	3/2004	Fujita .....	345/767
2007/0162866 A1 *	7/2007	Matthews et al. ....	715/769
2007/0226647 A1 *	9/2007	Louch .....	715/788

\* cited by examiner

*Primary Examiner*—Jennifer Rivard

*Assistant Examiner*—Angela J Lee

(74) *Attorney, Agent, or Firm*—Fenwick & West LLP

(57) **CLAIM**

The ornamental design for display panel with a computer-generated icon, as shown and described.

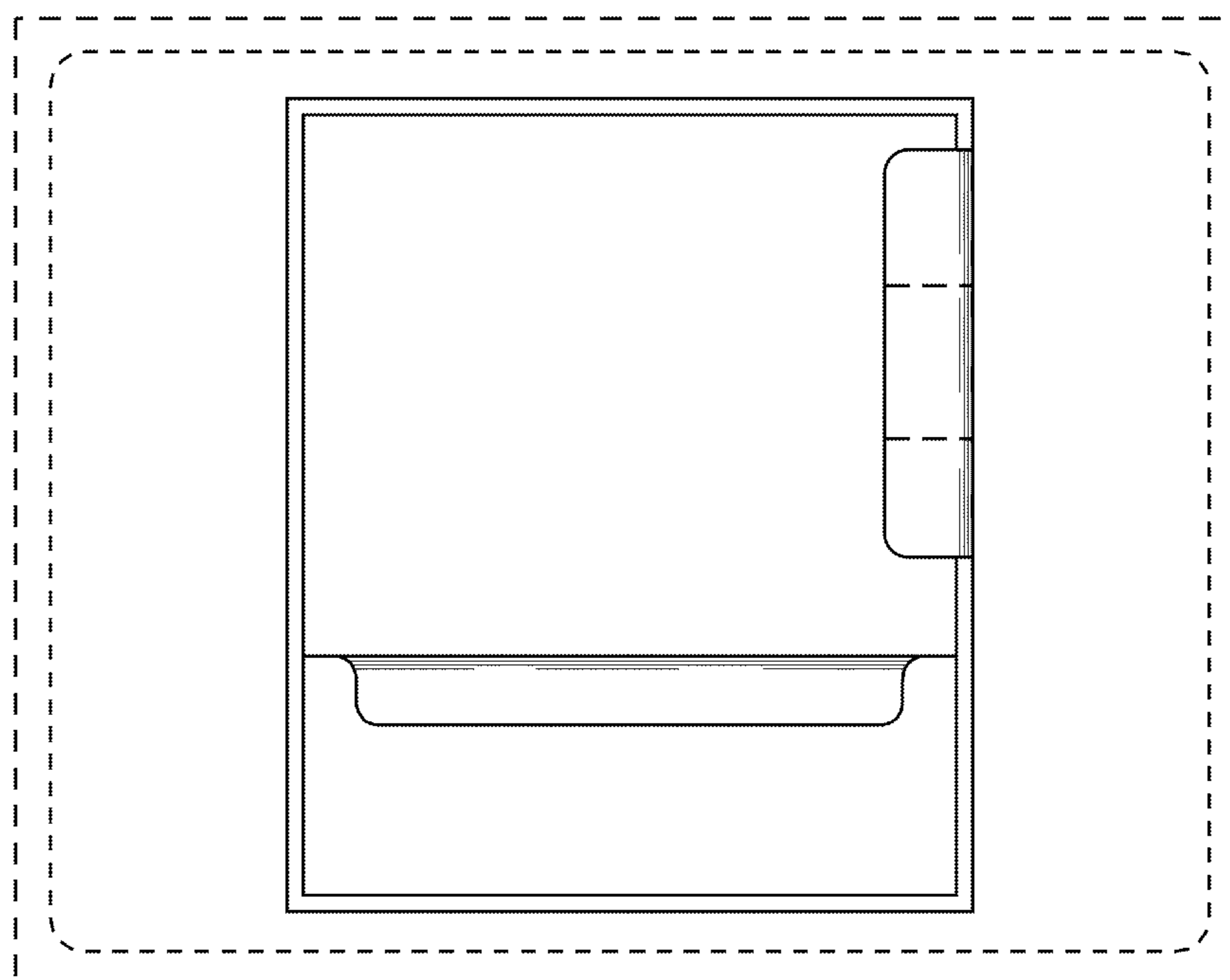
**DESCRIPTION**

FIG. 1 is a front view of a first embodiment of a display panel with a computer-generated icon; and,

FIG. 2 is a front view of a second embodiment thereof.

The broken line showing of a display panel is included for the purpose of illustrating environmental structure and forms no part of the claimed design. The broken line showing of portions of the computer-generated icon forms no part of the claimed design.

**1 Claim, 2 Drawing Sheets**



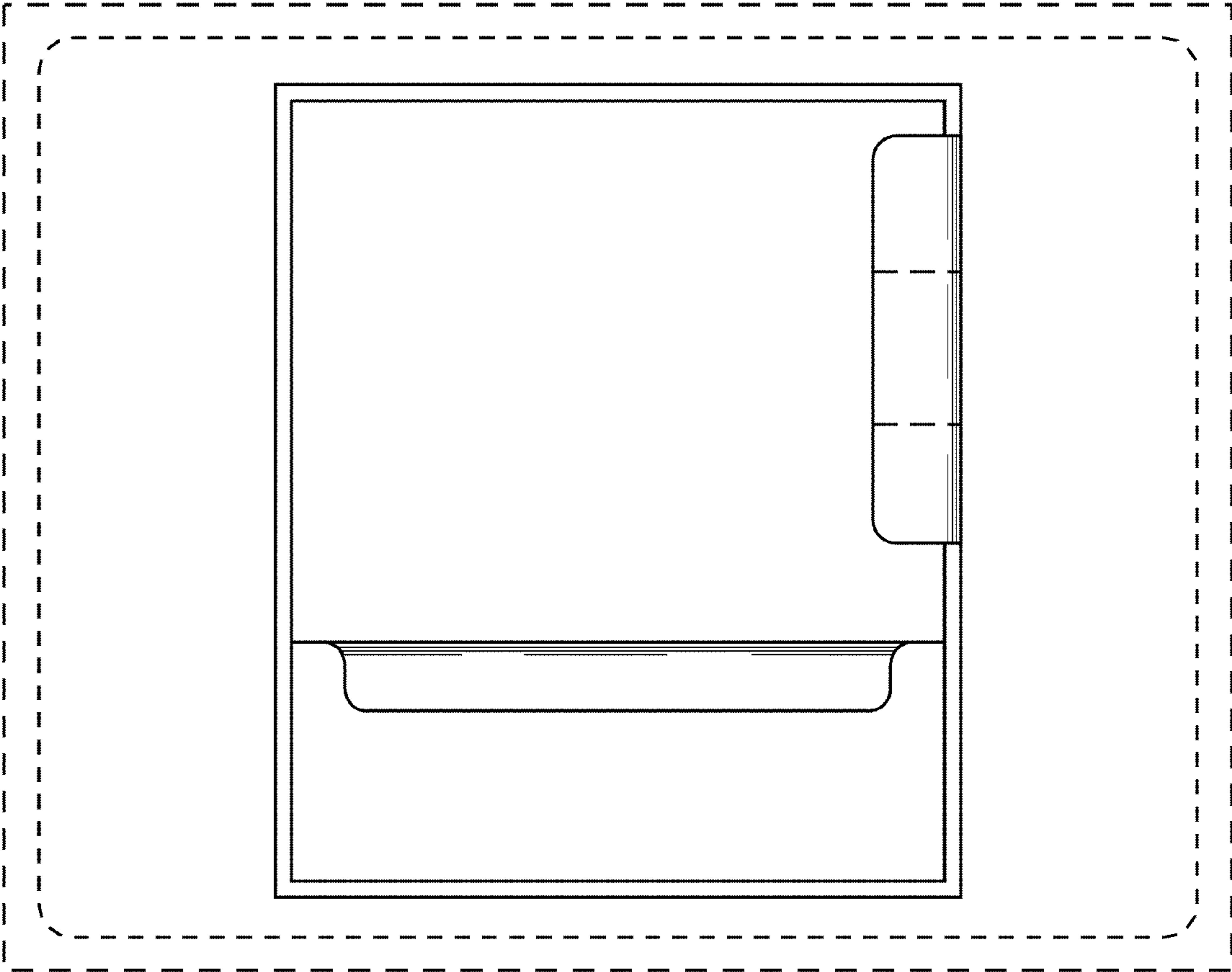


FIG. 1

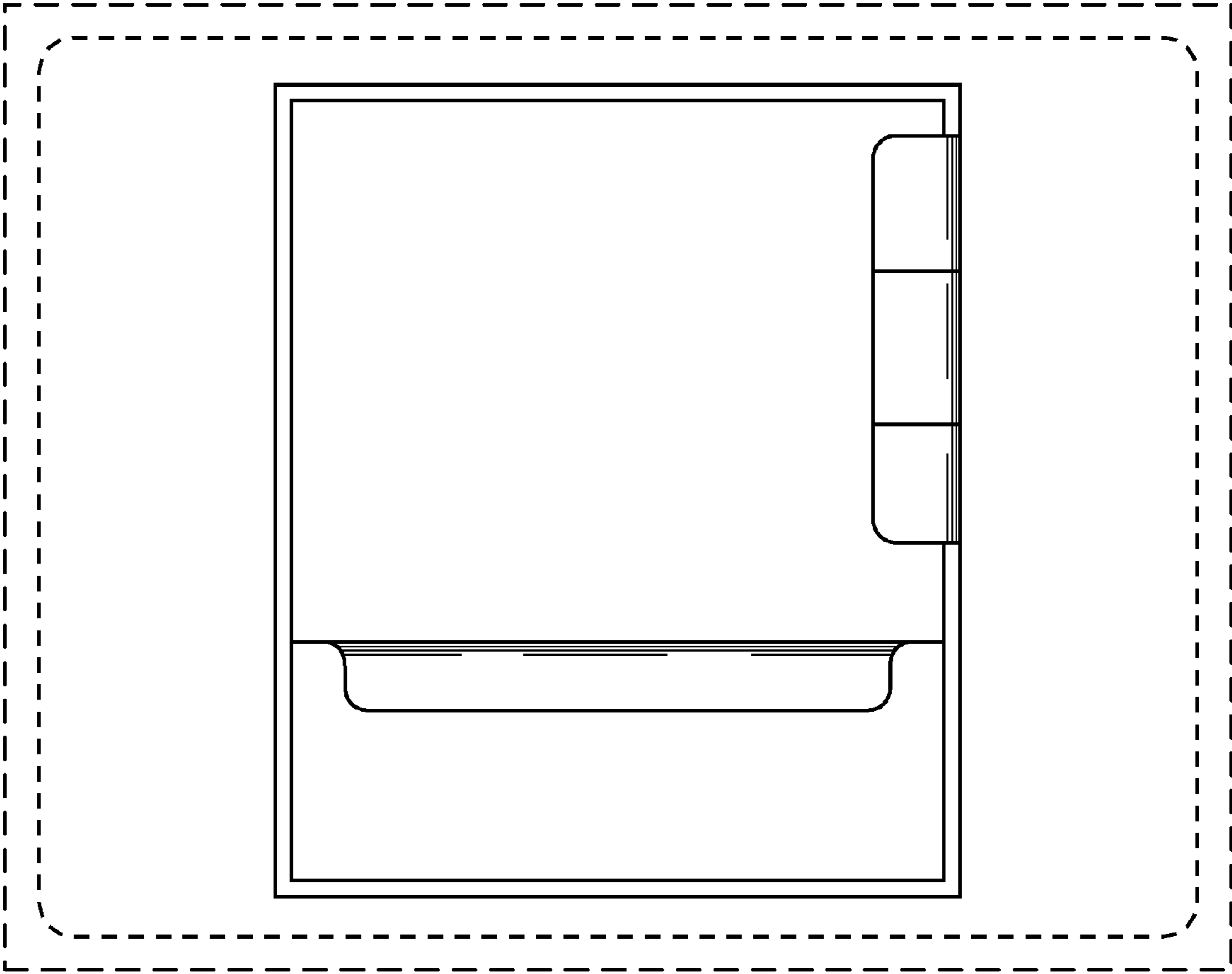


FIG. 2