



US00D582927S

(12) **United States Design Patent**
Blankenship et al.

(10) **Patent No.:** **US D582,927 S**
(45) **Date of Patent:** **** Dec. 16, 2008**

(54) **DISPLAY PANEL WITH A
COMPUTER-GENERATED ICON**
(75) Inventors: **Esther M. Blankenship**, Mannehim
(DE); **Leif Jensen-Pistorius**, Ostringen
(DE); **Peer Hilgers**, St. Leon-Rot (DE);
Vera Legisa, Karlsruhe (DE); **James
Morrison**, Landau-Damheim (DE)
(73) Assignee: **SAP AG**, Walldorf (DE)

6,460,090 B1 * 10/2002 Cuomo et al. 719/328
6,741,268 B1 * 5/2004 Hayakawa 715/777
6,747,678 B1 * 6/2004 Katayama et al. 715/773
6,804,817 B1 * 10/2004 Kimura et al. 719/315
6,850,255 B2 * 2/2005 Muschetto 715/788
6,957,395 B1 * 10/2005 Jobs et al. 715/765
7,385,592 B2 * 6/2008 Collins 345/173
2004/0046796 A1 * 3/2004 Fujita 345/767
2006/0248469 A1 * 11/2006 Czerwinski et al. 715/764
2006/0288312 A1 * 12/2006 Akiyama et al. 715/856
2008/0141154 A1 * 6/2008 Balassanian 715/769

(**) Term: **14 Years**

(21) Appl. No.: **29/284,874**

(22) Filed: **Sep. 17, 2007**

(51) **LOC (8) Cl.** **14-04**

(52) **U.S. Cl.** **D14/485**

(58) **Field of Classification Search** D14/485-495;
345/902, 955, 956, 960; 715/207, 275, 700,
715/703, 716, 719, 720, 721, 726, 727, 728,
715/730, 738, 739, 740, 762, 763, 764, 768,
715/769, 771, 772, 773, 774, 778, 779, 783,
715/784, 810, 811, 812, 813, 814, 815, 816,
715/817, 818, 819, 820, 821, 822, 823, 824,
715/825, 828, 829, 830, 831, 835, 836, 837,
715/838, 839, 840, 841, 842, 843, 844, 845,
715/846, 847, 860, 861, 864; 715/867, 962,
715/977

See application file for complete search history.

(56) **References Cited**

U.S. PATENT DOCUMENTS

5,973,686 A * 10/1999 Shimogori 715/746
6,124,854 A * 9/2000 Sartain et al. 715/716

* cited by examiner

Primary Examiner—Jennifer Rivard
Assistant Examiner—Angela J Lee
(74) *Attorney, Agent, or Firm*—Fenwick & West LLP

(57) **CLAIM**

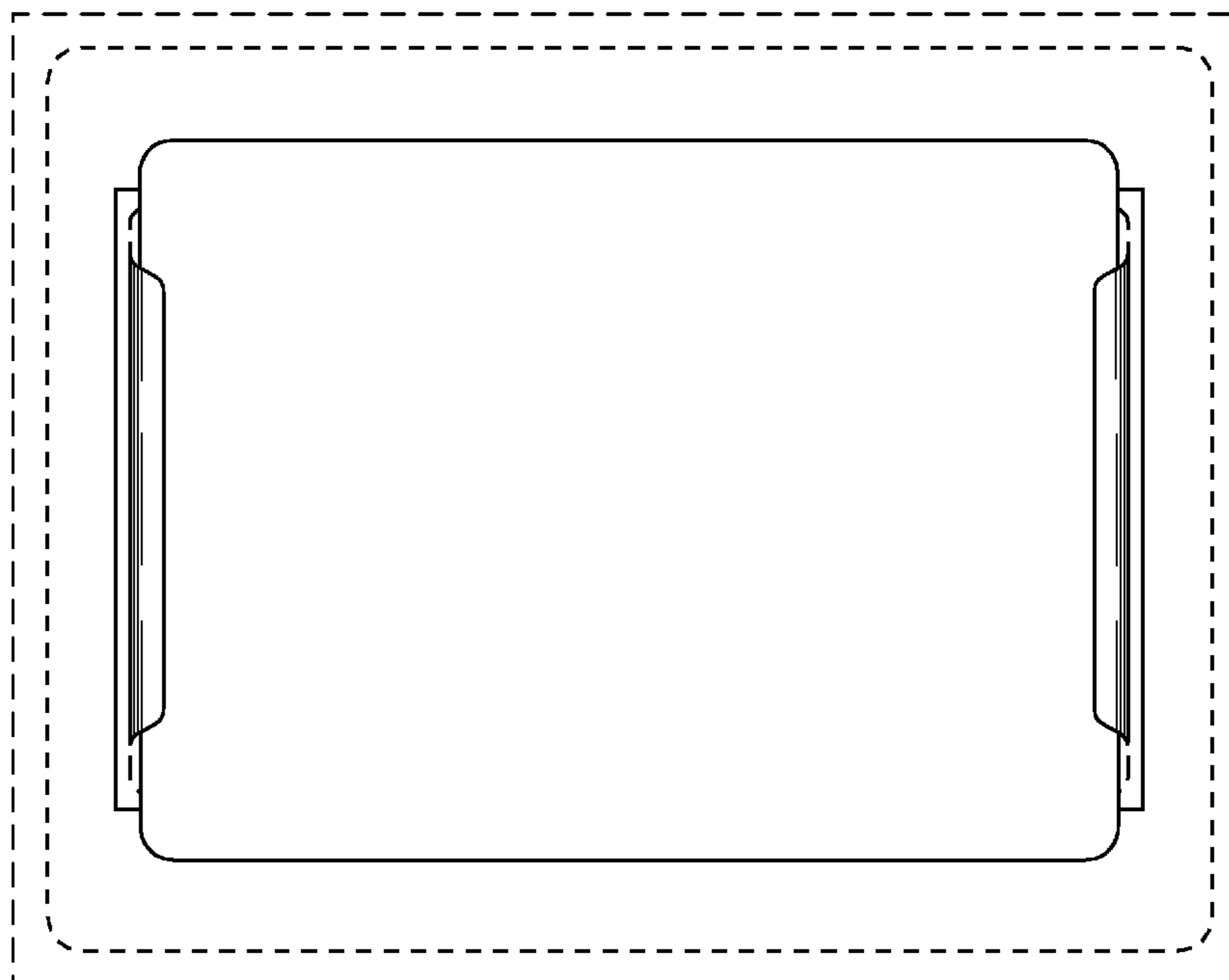
The ornamental design for display panel with a computer-generated icon, as shown and described.

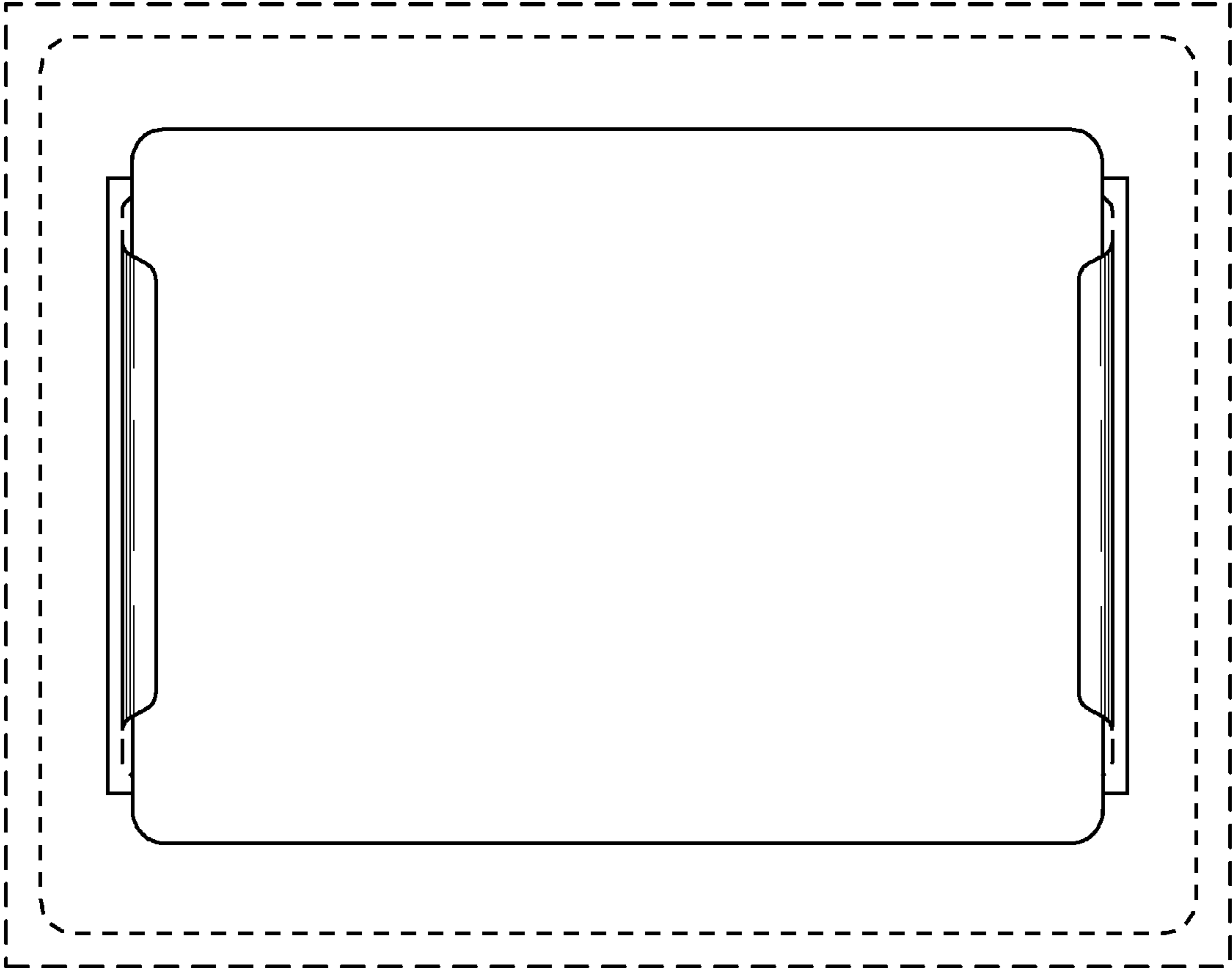
DESCRIPTION

The sole FIGURE is a front view of a display panel with a computer-generated icon.

The broken line showing of a display panel is included for the purpose of illustrating environmental structure and forms no part of the claimed design. The broken line showing of portions of the computer-generated icon forms no part of the claimed design.

1 Claim, 1 Drawing Sheet





FIGURE