



US00D582920S

(12) **United States Design Patent**
Matsumoto et al.

(10) **Patent No.:** **US D582,920 S**
(45) **Date of Patent:** **** Dec. 16, 2008**

(54) **RADIO FREQUENCY IDENTIFICATION TAG
READER**

(75) Inventors: **Shigeru Matsumoto**, Toyokawa (JP);
Tomoyuki Okamoto, Kasugai (JP)

(73) Assignee: **Brother Industries, Ltd.**, Nagoya (JP)

(**) Term: **14 Years**

(21) Appl. No.: **29/300,207**

(22) Filed: **Feb. 29, 2008**

(30) **Foreign Application Priority Data**

Oct. 4, 2007 (JP) 2007-027184

(51) **LOC (8) Cl.** **14-02**

(52) **U.S. Cl.** **D14/453**

(58) **Field of Classification Search** D14/420,
D14/426-430, 453, 346, 341, 347, 412; D13/107,
D13/184; 358/473; 235/462.43, 462.45,
235/462.47, 462.48, 462.44, 462.46, 487,
235/472.01, 472.02; 16/110.1, 430, 431;
439/133, 135; 709/219, 201; 710/73; 320/114,
320/115, 123; 361/679; 382/313, 321; 455/575.1,
455/561, 572

See application file for complete search history.

(56) **References Cited**

U.S. PATENT DOCUMENTS

D292,401 S * 10/1987 Lee et al. D14/188
D295,411 S * 4/1988 Cho et al. D14/347
D304,827 S * 11/1989 Kubota D14/426
D307,749 S * 5/1990 Kubota et al. D14/426
D311,393 S * 10/1990 Weaver et al. D14/420
D337,316 S * 7/1993 Ruiten D14/347
5,239,669 A * 8/1993 Mason et al. 455/12.1
D342,489 S * 12/1993 Tzu-Chin D14/426
D352,935 S * 11/1994 Etoh D14/428
D355,903 S * 2/1995 Pollack et al. D14/430

D357,240 S * 4/1995 Kitazumi et al. D14/429
D357,876 S * 5/1995 McConnell D10/78
D391,555 S * 3/1998 Schlieffers et al. D18/4.4
D413,308 S * 8/1999 Nelson et al. D14/341
D419,546 S * 1/2000 Krantz et al. D14/426
D445,786 S * 7/2001 Skelton D14/341
D447,141 S * 8/2001 Itoh et al. D14/385
D490,731 S * 6/2004 Bradford D10/78
D494,584 S * 8/2004 Schlieffers et al. D14/346
2002/0150450 A1 * 10/2002 Bevirt et al. 414/225.01
2005/0199726 A1 * 9/2005 Schmidt et al. 235/462.45

* cited by examiner

Primary Examiner—Pamela J Burgess

Assistant Examiner—Susan Moon Lee

(74) *Attorney, Agent, or Firm*—Olliff & Berridge, PLC

(57) **CLAIM**

The ornamental design for a radio frequency identification tag reader, as shown and described.

DESCRIPTION

FIG. 1 is a perspective view of a radio frequency identification tag reader;

FIG. 2 is a top view thereof;

FIG. 3 is a front view thereof;

FIG. 4 is a right-side view thereof; the left-side view thereof being a mirror image;

FIG. 5 is a rear view thereof;

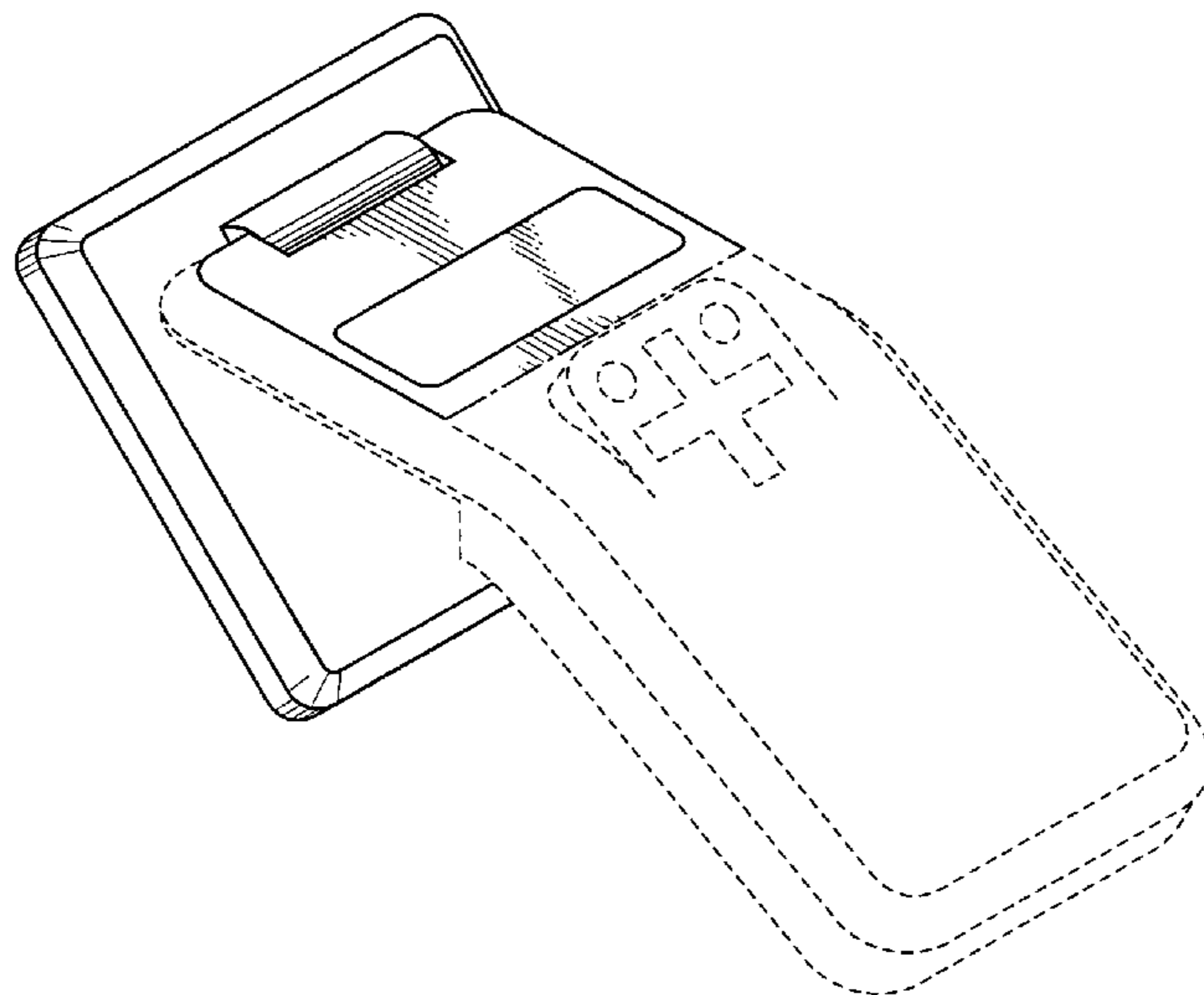
FIG. 6 is a bottom view thereof;

FIG. 7 is a cross-sectional view thereof taken along the line 7—7 of FIG. 3; and,

FIG. 8 is a perspective view thereof with an antenna portion in an open position.

The broken lines depict environmental subject matter only and form no part of the claimed design.

1 Claim, 6 Drawing Sheets



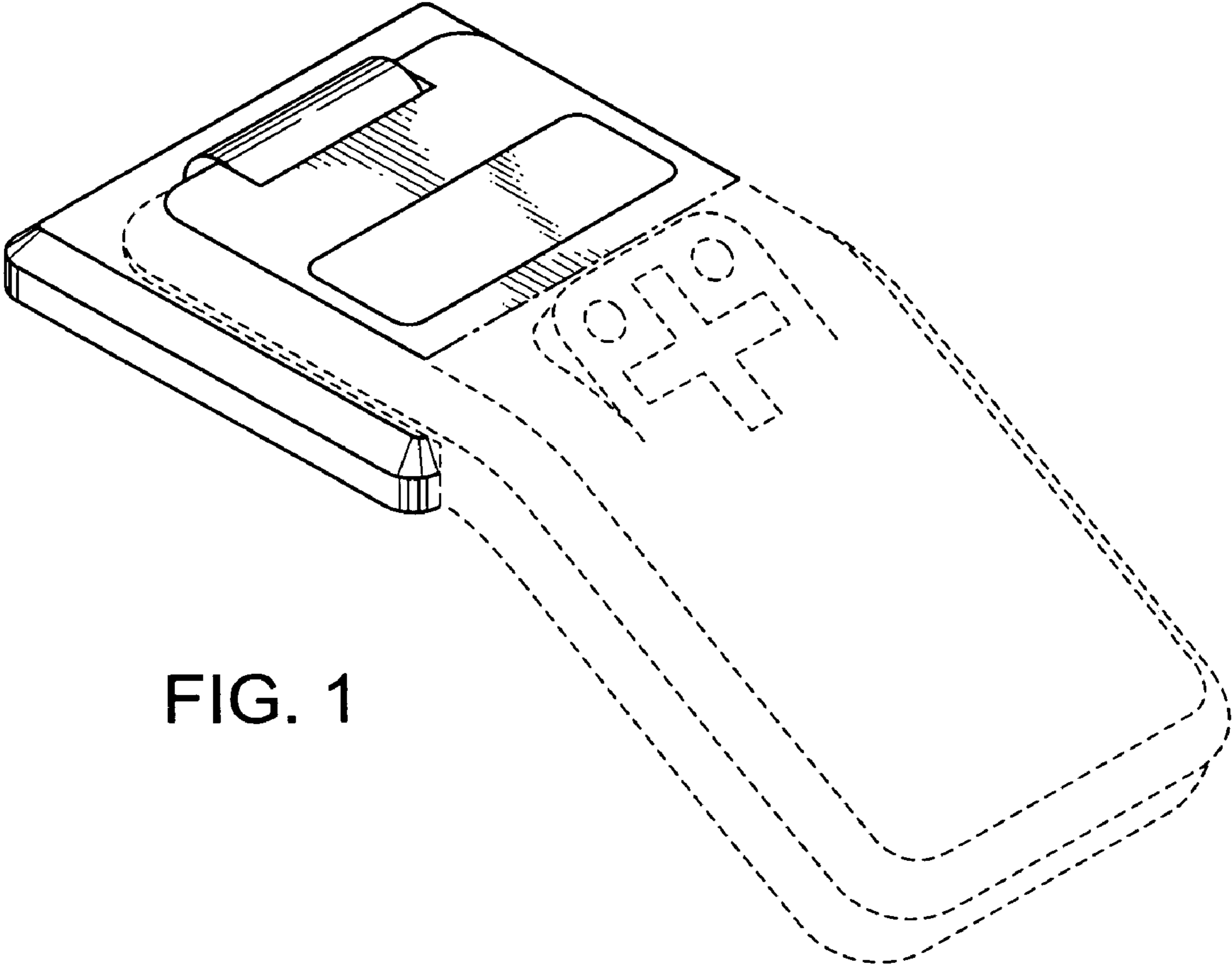


FIG. 1

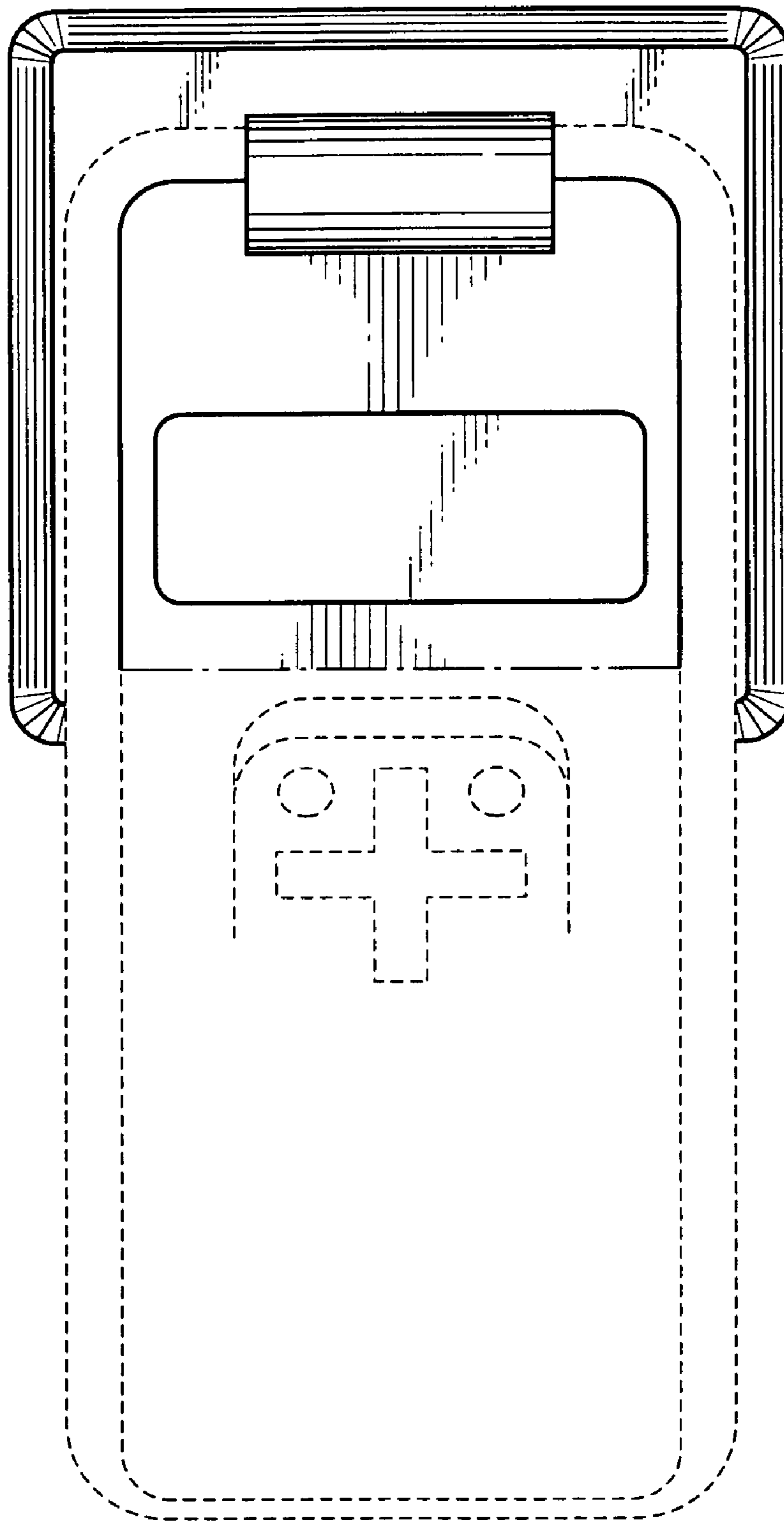


FIG. 2

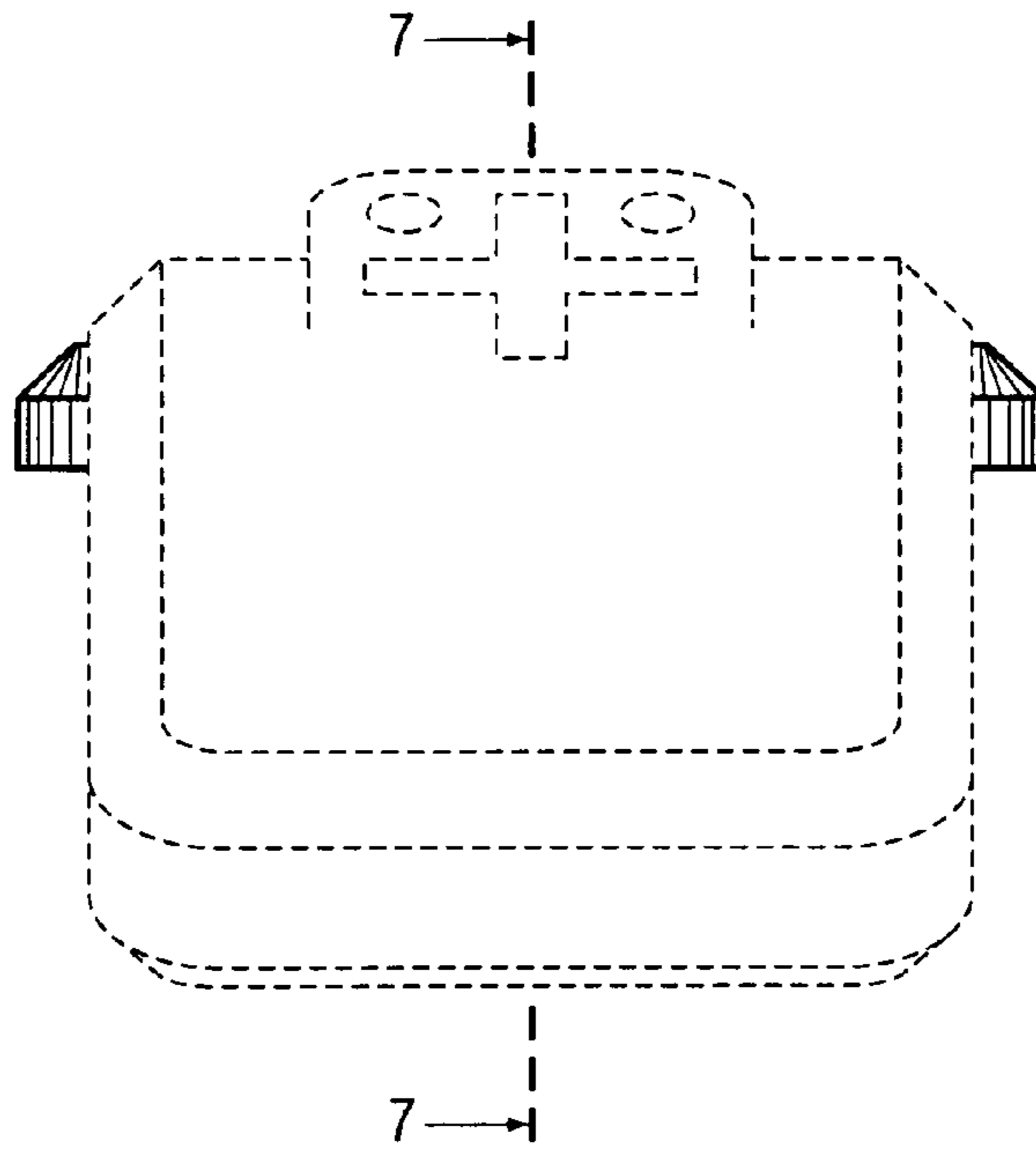


FIG. 3

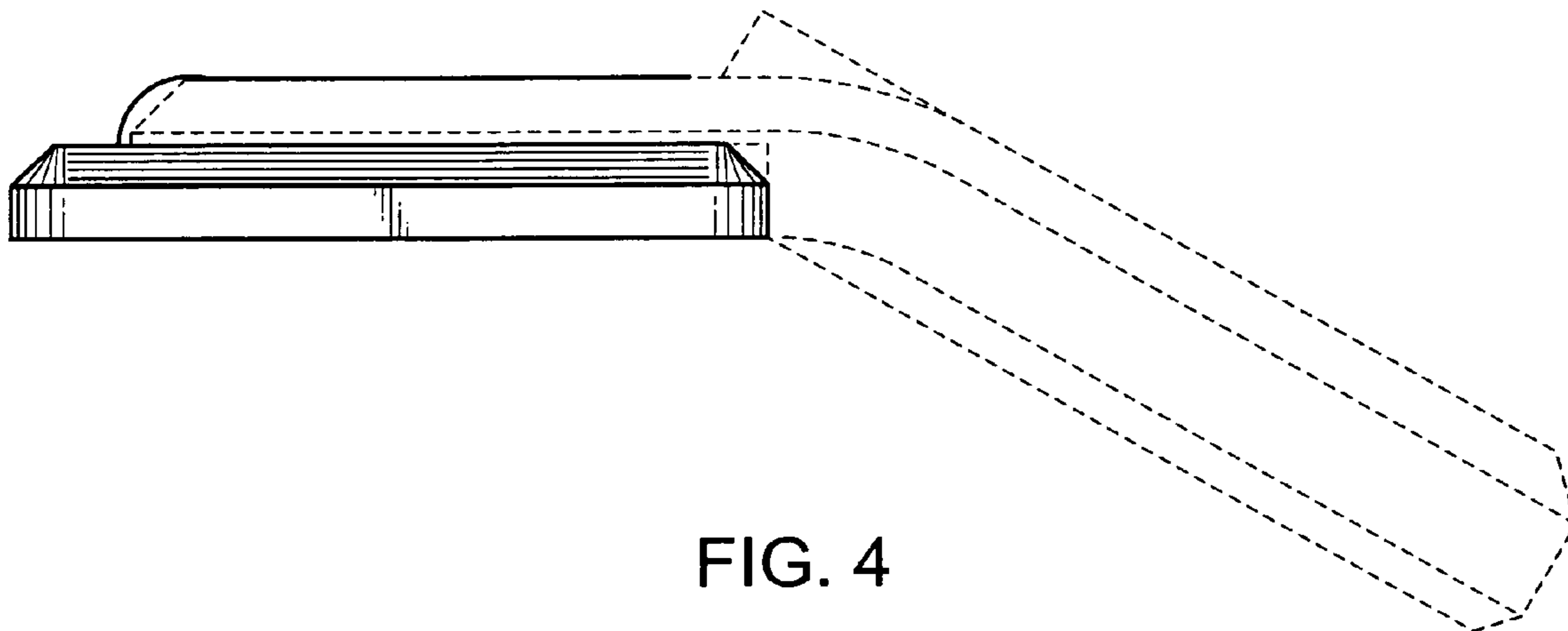


FIG. 4

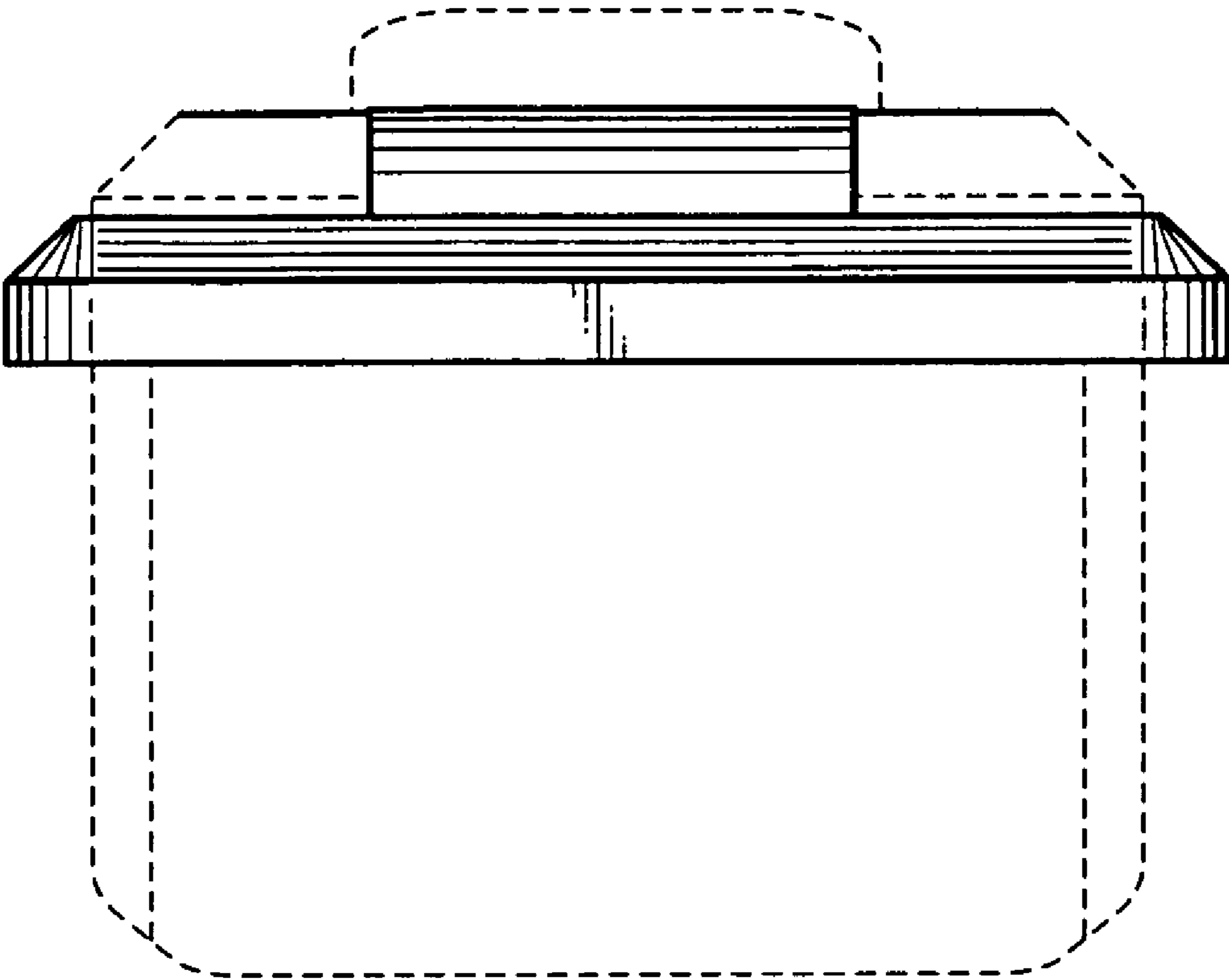


FIG. 5

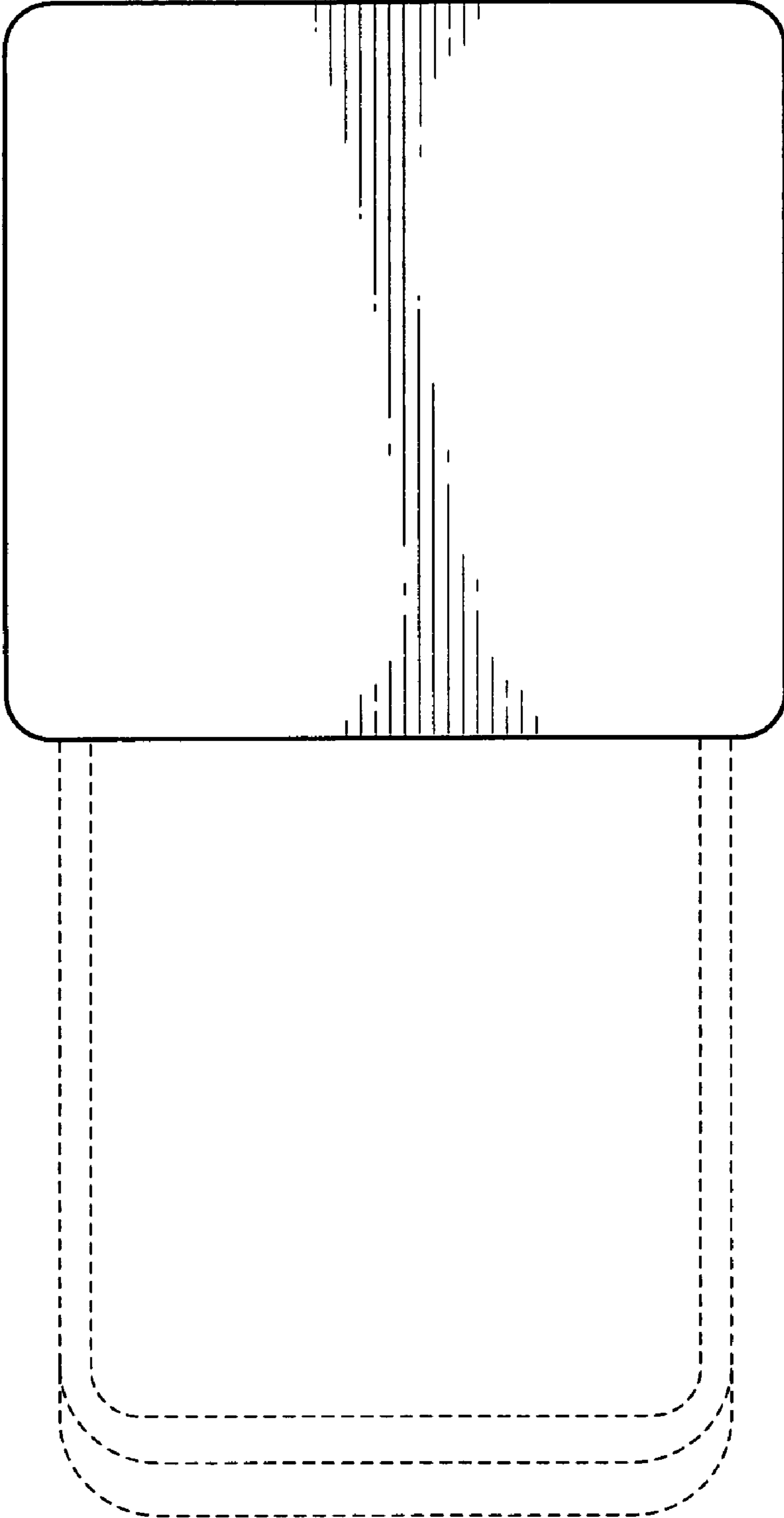


FIG. 6

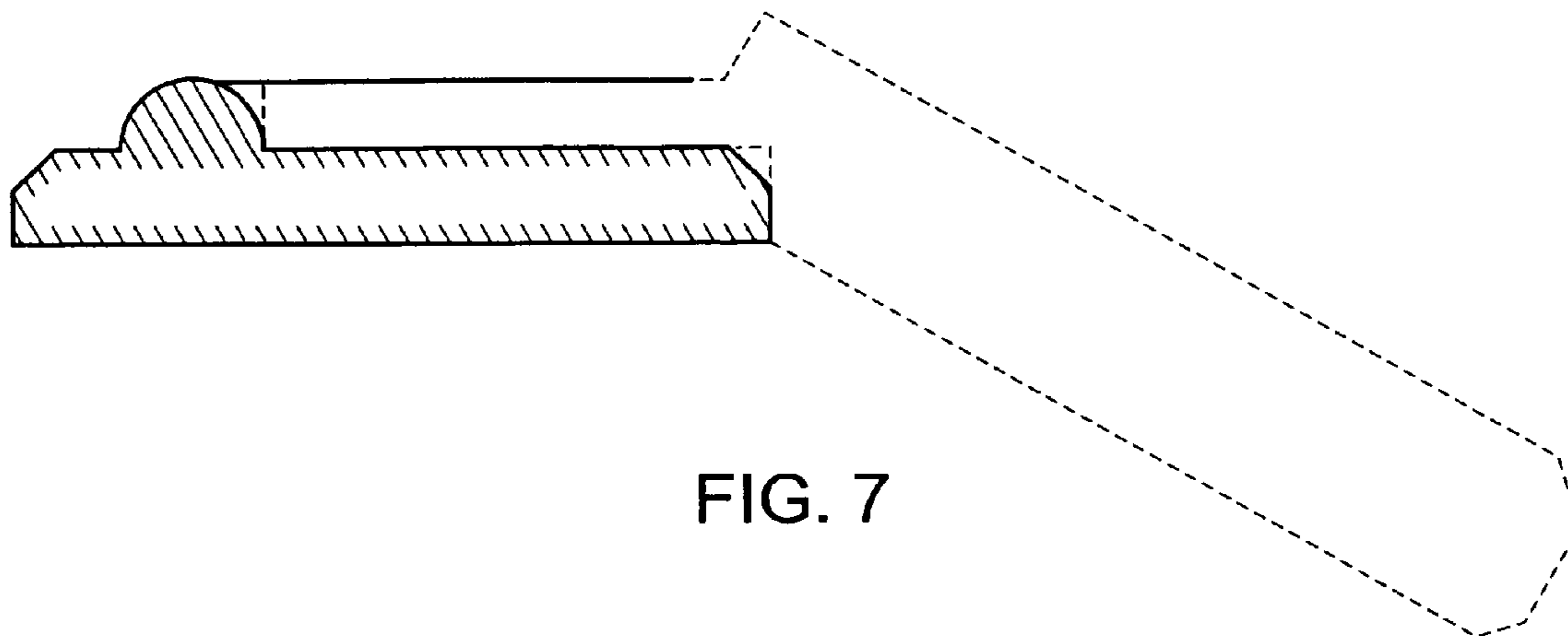


FIG. 7

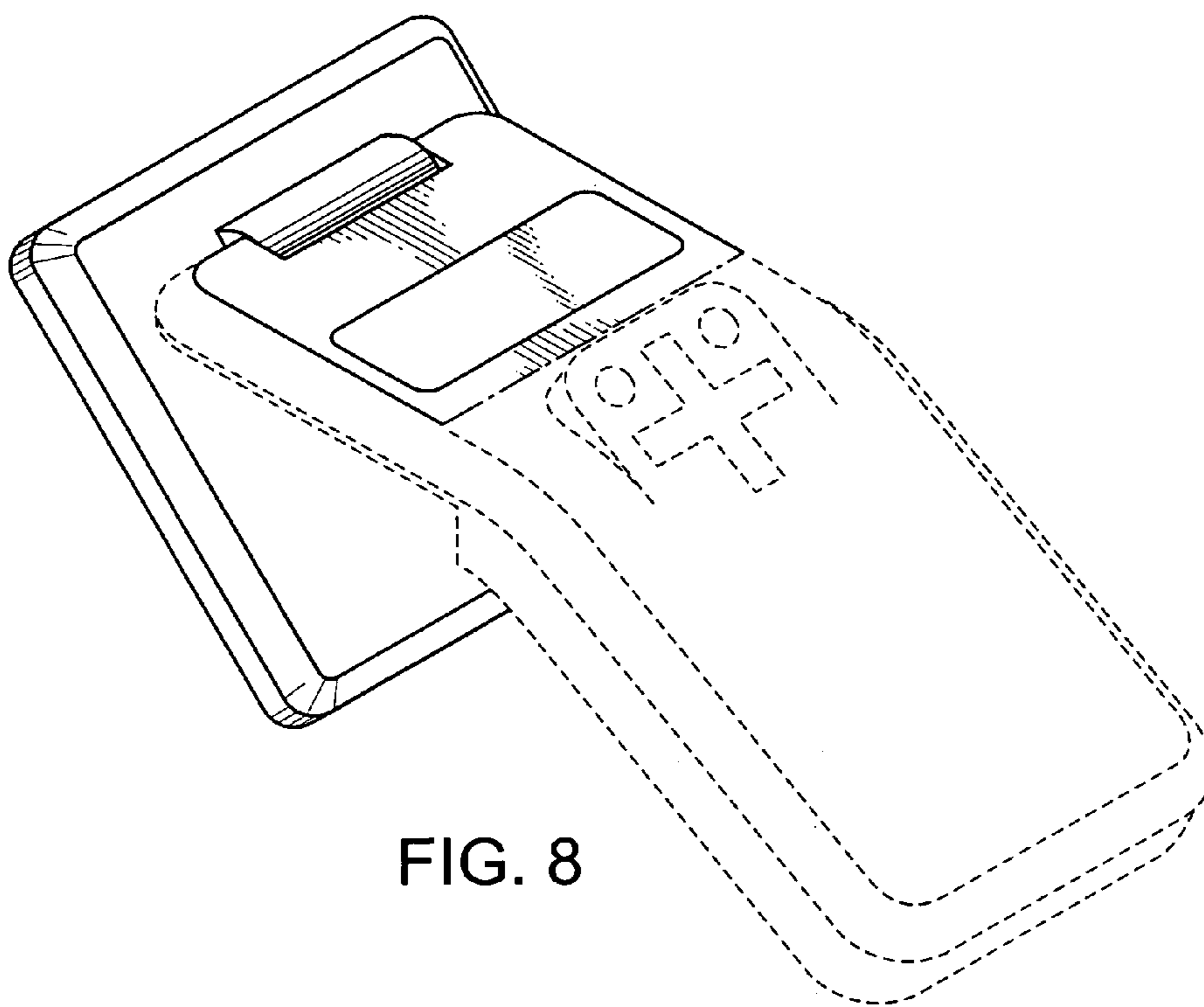


FIG. 8