



US00D582919S

(12) **United States Design Patent**  
**Liu**

(10) **Patent No.:** **US D582,919 S**

(45) **Date of Patent:** **\*\* Dec. 16, 2008**

(54) **DOCKING STATION**

(75) Inventor: **Hsing-Cheng Liu**, Taipei (TW)

(73) Assignee: **Inventec Multimedia & Telecom Corporation**, Taipei (TW)

(\*\*) Term: **14 Years**

(21) Appl. No.: **29/270,702**

(22) Filed: **Jan. 3, 2007**

(51) **LOC (8) Cl.** ..... **14-02**

(52) **U.S. Cl.** ..... **D14/434**

(58) **Field of Classification Search** ..... D14/434,  
D14/447, 432, 385, 357, 149, 457, 253, 251,  
D14/356, 137, 138, 107, 155, 402; D13/199,  
D13/107, 108, 118, 109, 110, 119, 184; 361/600,  
361/679, 683, 686; 200/6 R; 206/701; 320/113-115,  
320/107; 379/426; 455/557, 556.1, 556.2,  
455/573; 345/156, 901, 905; 439/374, 131,  
439/529, 534, 929, 346, 31, 640; 235/472.01;  
248/309.1, 221.11; 429/100; D21/333, 392;  
D19/65; 24/303; D8/395; D15/72  
See application file for complete search history.

(56) **References Cited**

**U.S. PATENT DOCUMENTS**

D206,390 S \* 12/1966 Jaskulek et al. .... D7/552.2  
D268,266 S \* 3/1983 Johnson et al. .... D15/72

4,555,114 A \* 11/1985 Dozier ..... 473/588  
D305,191 S \* 12/1989 Wasserman ..... D7/555  
D346,177 S \* 4/1994 Reineck ..... D17/20  
5,594,189 A \* 1/1997 Latteri ..... 84/322  
6,225,539 B1 \* 5/2001 Freeman ..... 84/322  
D464,052 S \* 10/2002 Fletcher ..... D14/408  
6,662,259 B1 \* 12/2003 Lin et al. .... 710/313  
D496,048 S \* 9/2004 Chen ..... D14/432

\* cited by examiner

*Primary Examiner*—Melanie H Tung

*Assistant Examiner*—Susan Moon Lee

(74) *Attorney, Agent, or Firm*—Rabin & Berdo, P.C.

(57) **CLAIM**

The ornamental design for a “docking station,” as shown and described.

**DESCRIPTION**

FIG. 1 is a perspective view of a docking station showing our new design;

FIG. 2 is a front view thereof;

FIG. 3 is a rear view thereof;

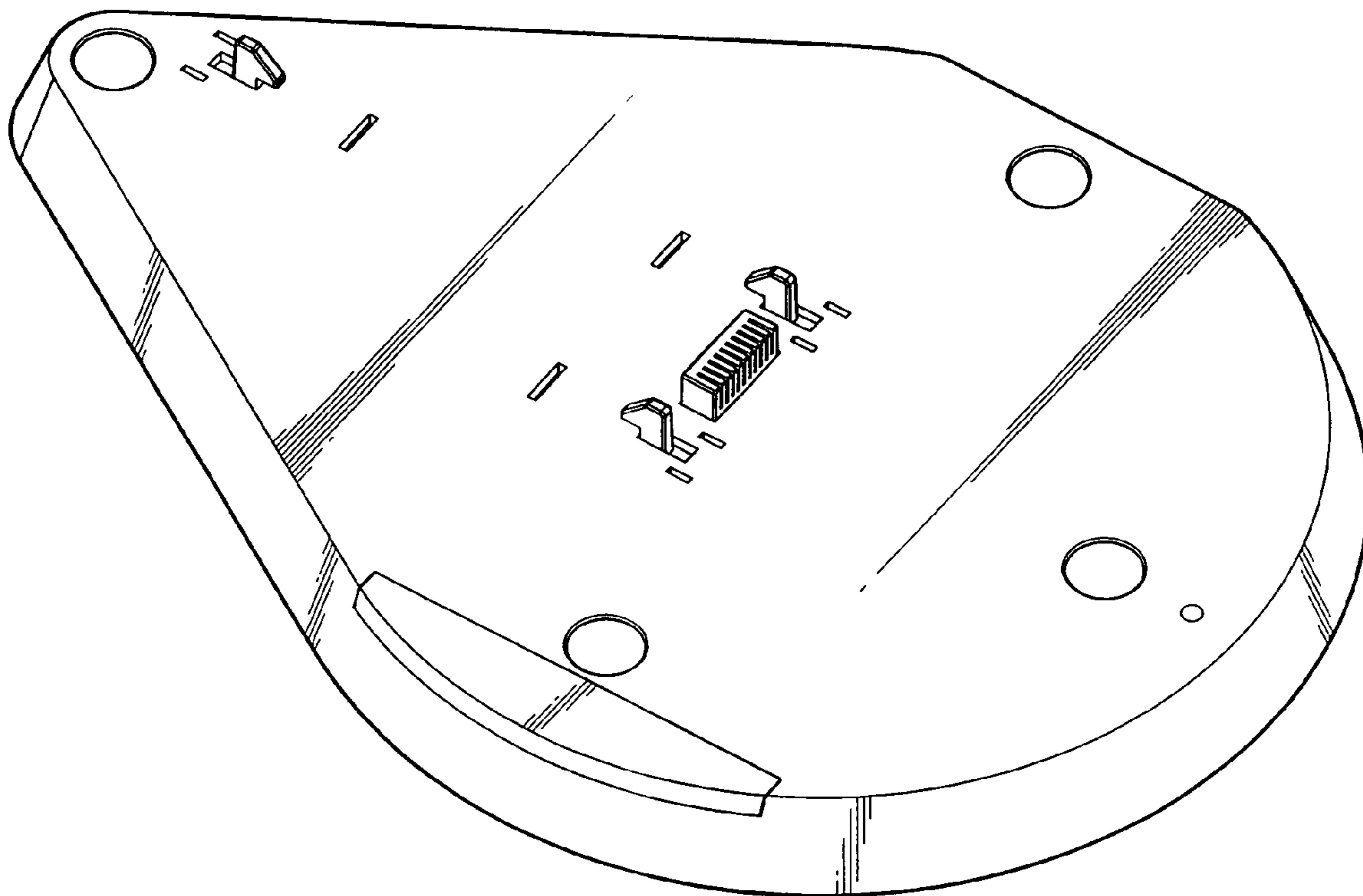
FIG. 4 is a left side elevational view thereof;

FIG. 5 is a right side elevational view thereof;

FIG. 6 is a top view thereof; and,

FIG. 7 is a bottom view thereof.

**1 Claim, 5 Drawing Sheets**



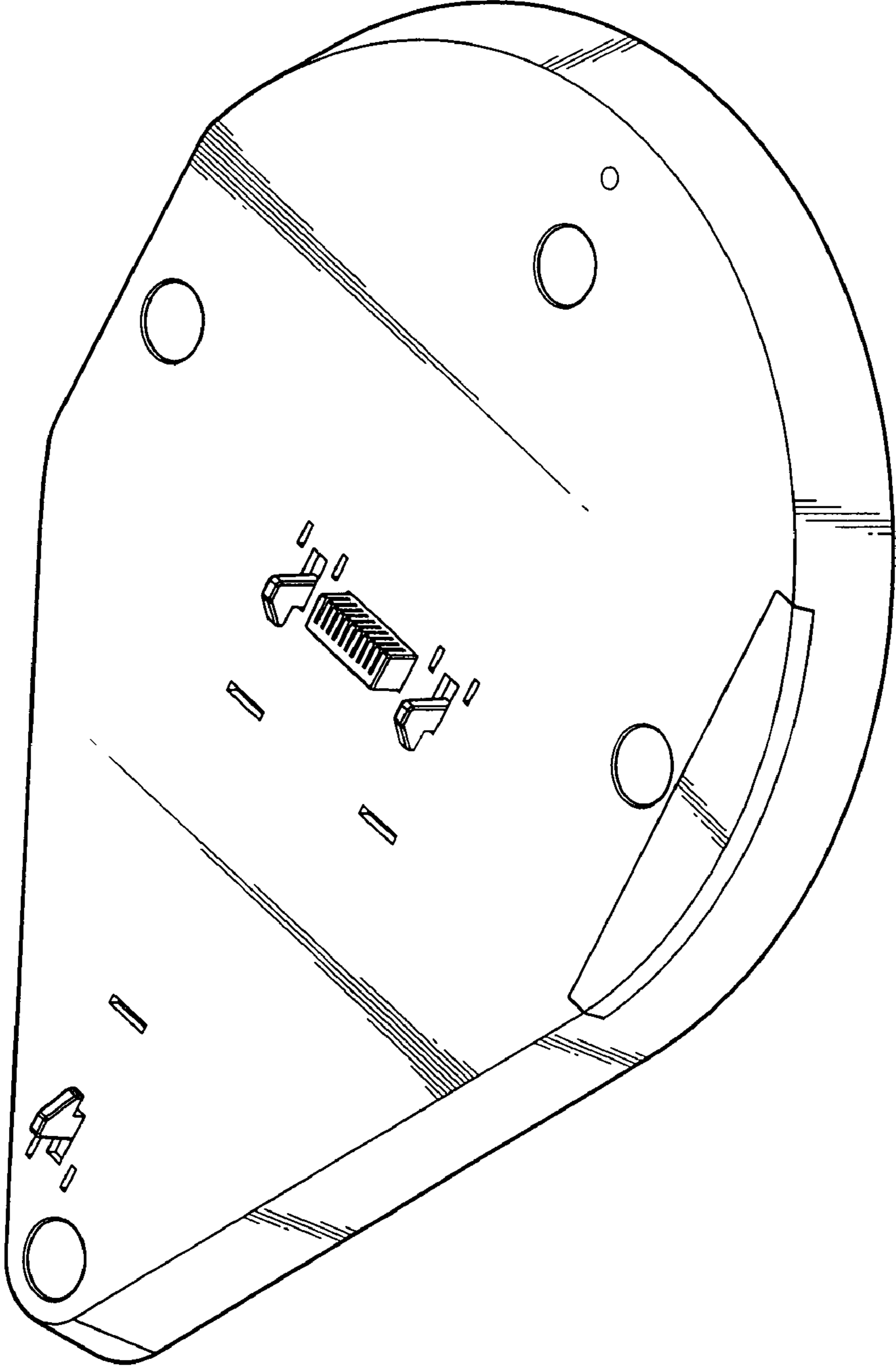


FIG.1

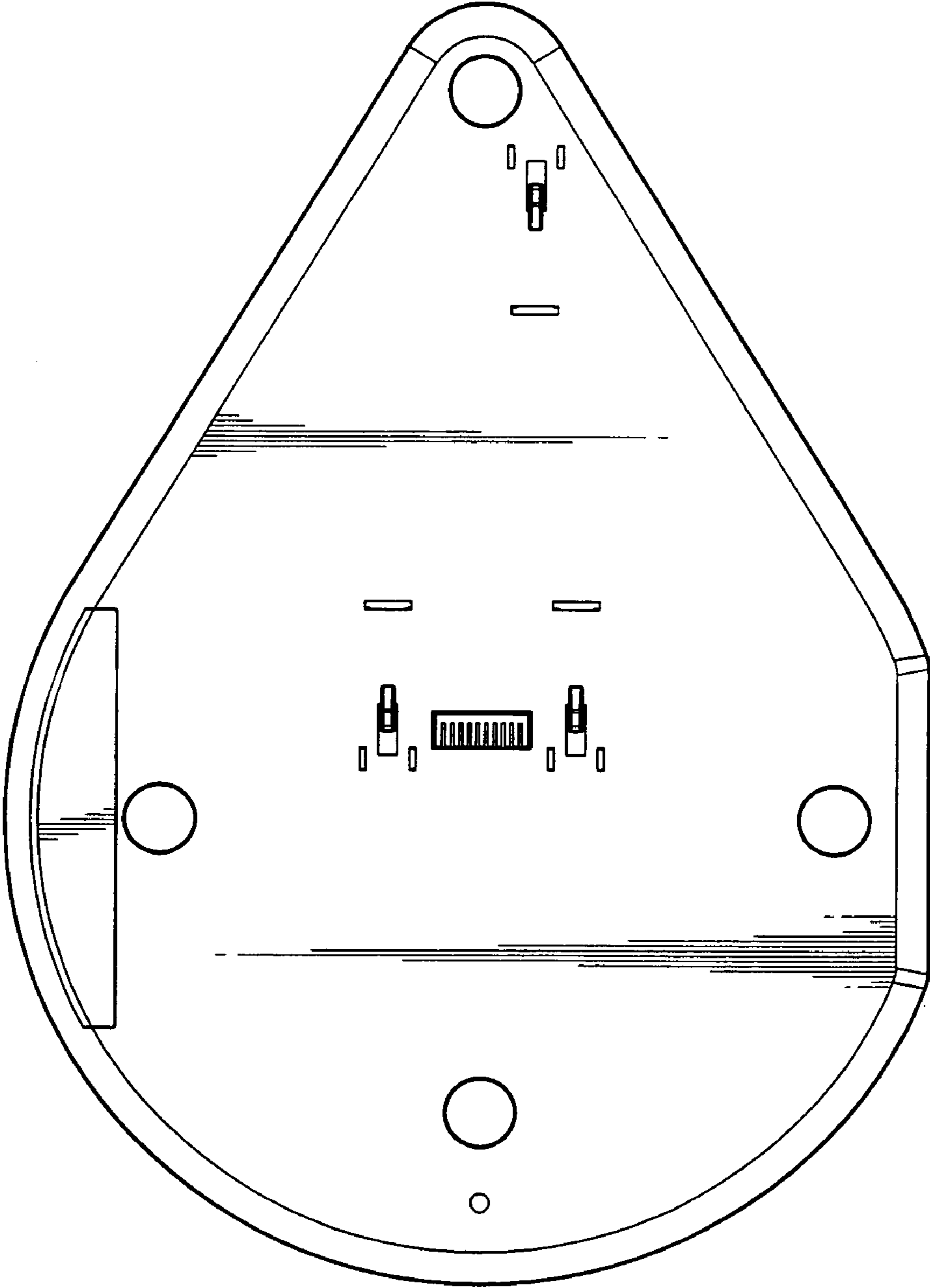


FIG. 2

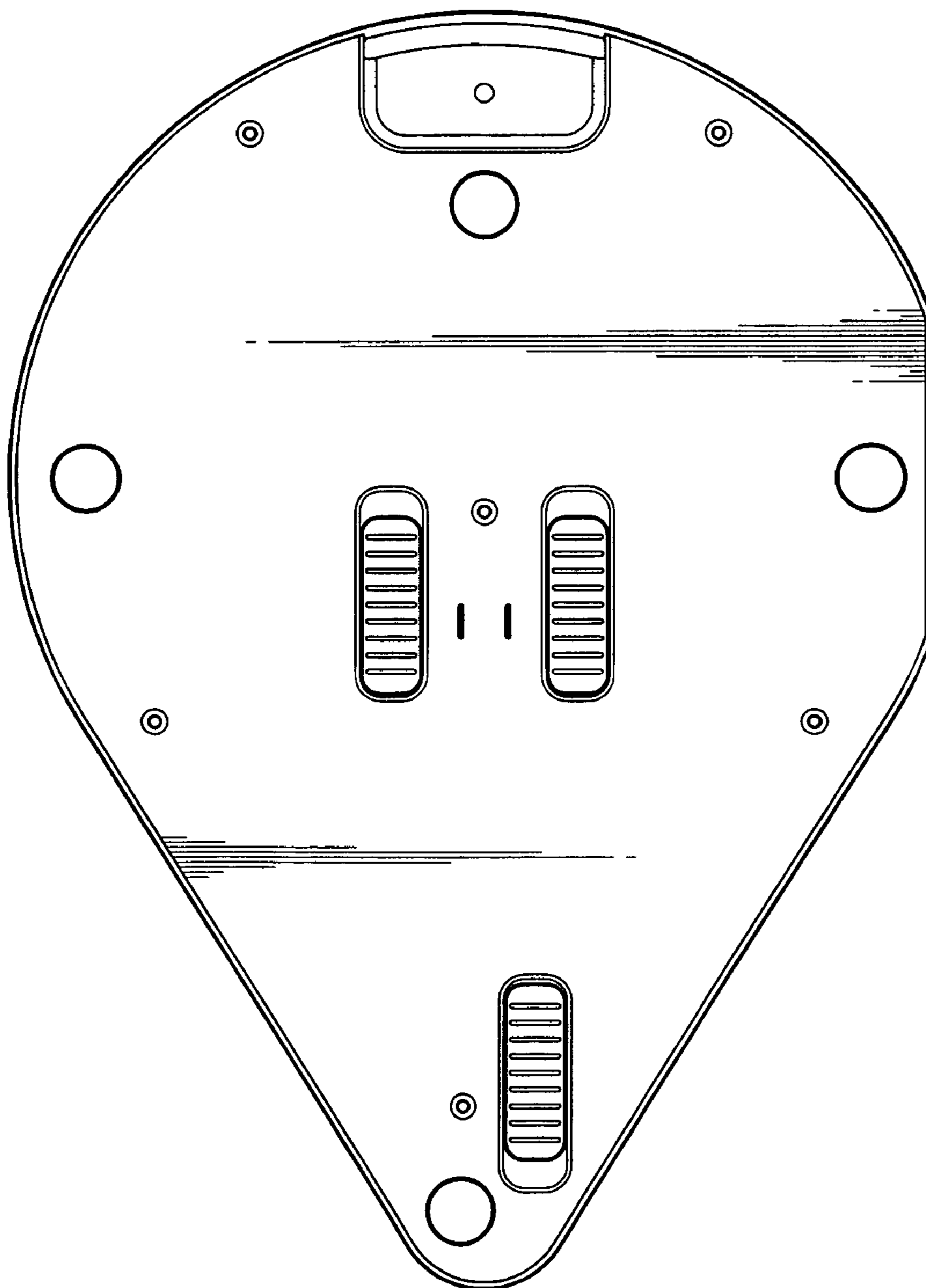


FIG.3



FIG. 5

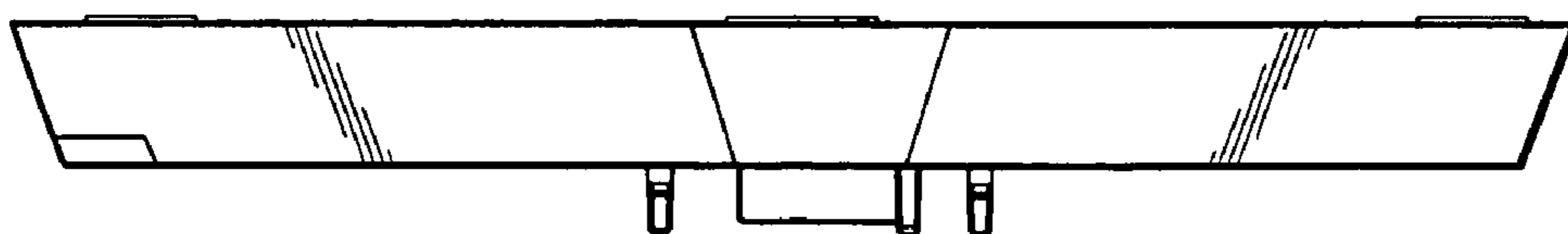


FIG. 4

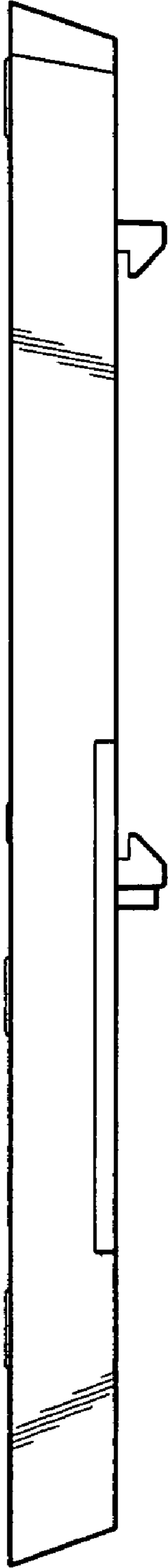


FIG. 6

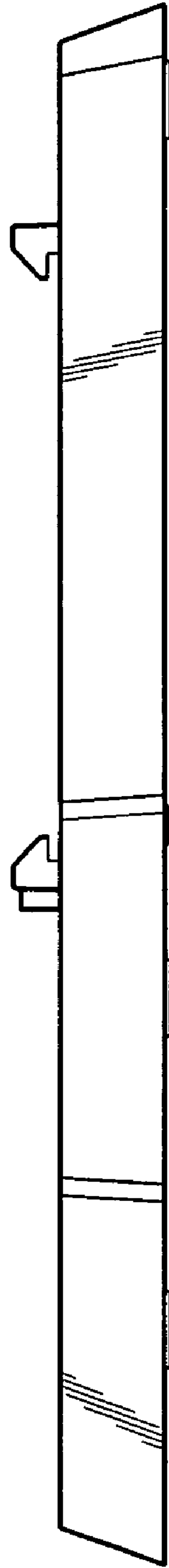


FIG. 7