



US00D582916S

(12) **United States Design Patent**
Wada

(10) **Patent No.:** **US D582,916 S**
(45) **Date of Patent:** **** Dec. 16, 2008**

(54) **MONITOR DISPLAY**
(75) Inventor: **Takayuki Wada**, Tokyo (JP)
(73) Assignee: **Sony Corporation**, Tokyo (JP)
(**) Term: **14 Years**
(21) Appl. No.: **29/274,843**
(22) Filed: **May 31, 2007**
(30) **Foreign Application Priority Data**
Feb. 26, 2007 (JP) D2007-004731

7,084,932 B1 * 8/2006 Mathias et al. 348/837
D531,150 S 10/2006 Yabe et al.
7,145,769 B2 * 12/2006 Chen 361/681
D534,508 S 1/2007 Yamada
D541,798 S * 5/2007 Ichida et al. D14/371

FOREIGN PATENT DOCUMENTS

JP D1045550 S 8/1999
JP D1072823 S 6/2000
JP D1086821 S 10/2000
JP D1110337 S 6/2001
JP D1203787 S 4/2004
JP D1221658 S 11/2004
JP D1264259 S 3/2006
JP D1264663 S 3/2006

(51) **LOC (8) Cl.** **14-02**
(52) **U.S. Cl.** **D14/371; D14/376**
(58) **Field of Classification Search** D14/371-376,
D14/125-129, 336, 341, 132; 248/917-924;
341/12; 345/104, 156, 173, 174, 901-905;
348/180, 184, 325, 739, 837; 361/680-686;
D18/12.3; D6/300; 297/217.3; 349/1, 2,
349/11, 62
See application file for complete search history.

* cited by examiner
Primary Examiner—Freda S Nunn
(74) *Attorney, Agent, or Firm*—Rader, Fishman & Grauer,
PLLC

(57) **CLAIM**

The ornamental design for a monitor display, as shown.

(56) **References Cited**

U.S. PATENT DOCUMENTS

D333,574 S * 3/1993 Ackeret D6/300
D361,552 S * 8/1995 Iino D14/341
5,507,556 A * 4/1996 Dixon 297/217.3
D391,251 S 2/1998 Yuyama et al.
D407,086 S * 3/1999 Rosen D14/132
D412,899 S * 8/1999 Rosen D14/132
D448,009 S * 9/2001 Lavelle et al. D14/125
D465,492 S * 11/2002 Scribner D14/375
D490,420 S * 5/2004 Solomon et al. D14/341
D494,174 S * 8/2004 Hsu Li D14/374
D510,919 S 10/2005 Kubota et al.

DESCRIPTION

FIG. 1 is a perspective view of a monitor display showing my new design;
FIG. 2 is a front elevational view thereof;
FIG. 3 is a rear elevational view thereof;
FIG. 4 is a left side elevational view thereof;
FIG. 5 is a right side elevational view thereof;
FIG. 6 is a top plan view thereof; and,
FIG. 7 is a bottom plan view thereof.

1 Claim, 7 Drawing Sheets

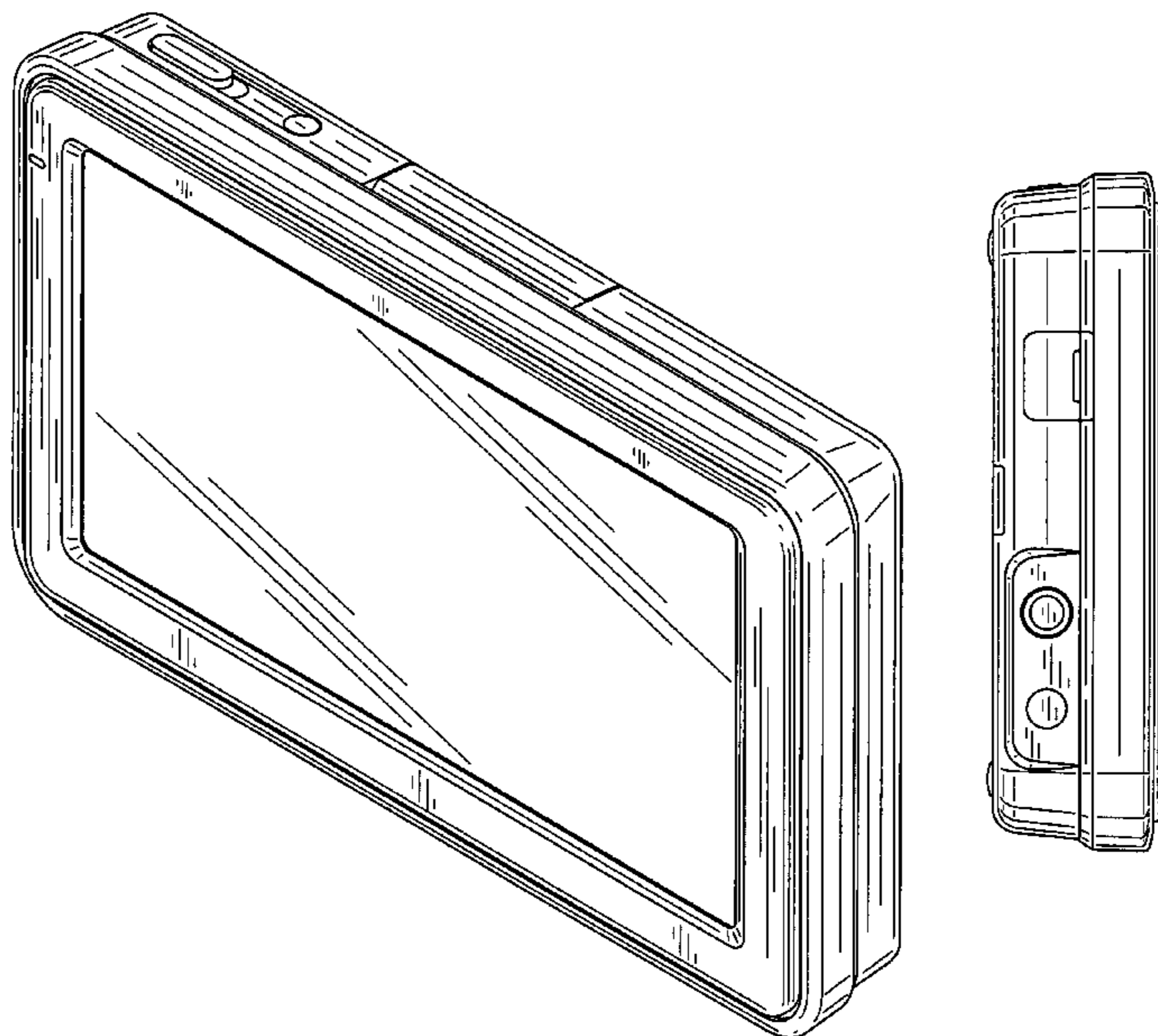


Fig.1

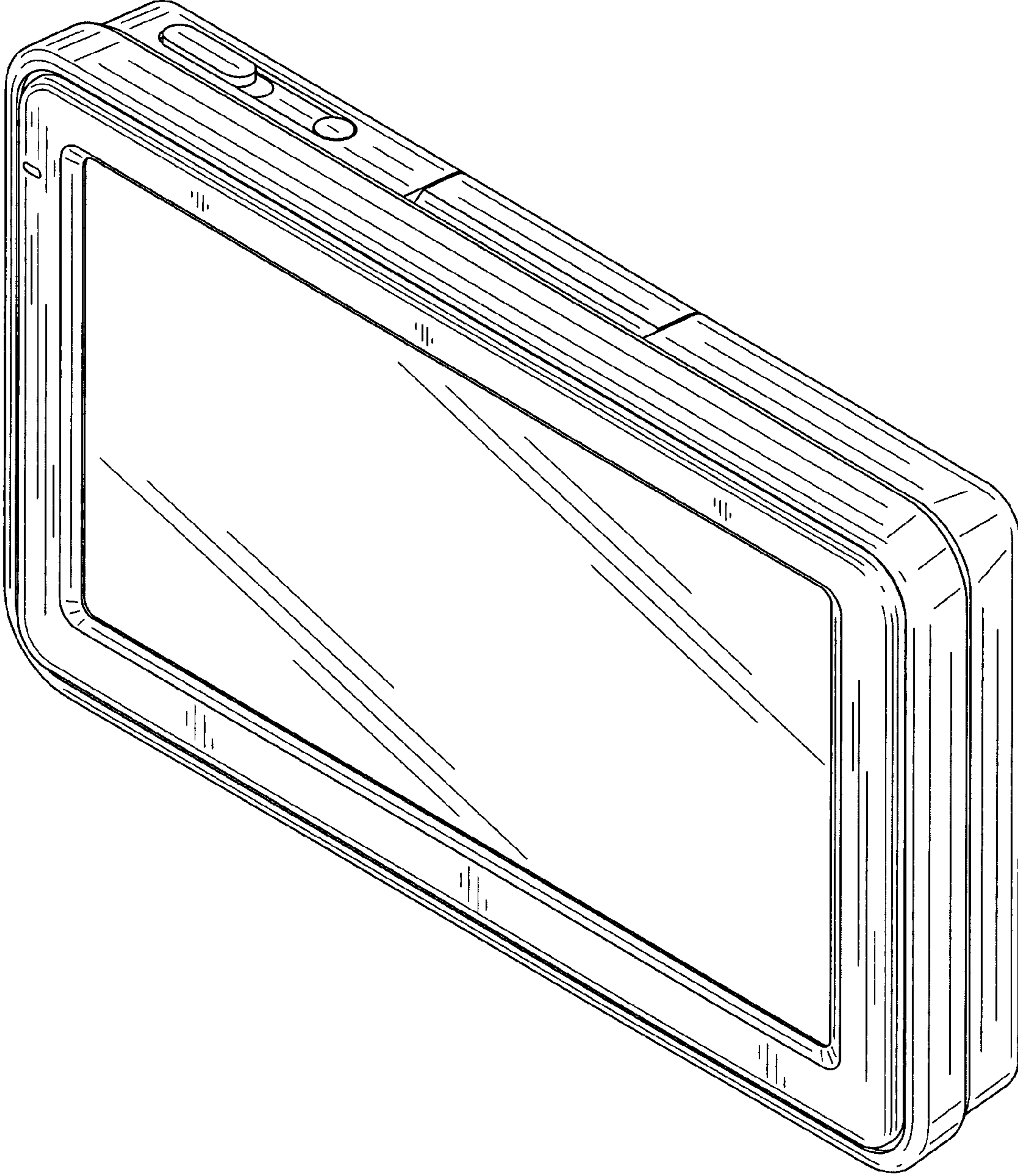


Fig.2

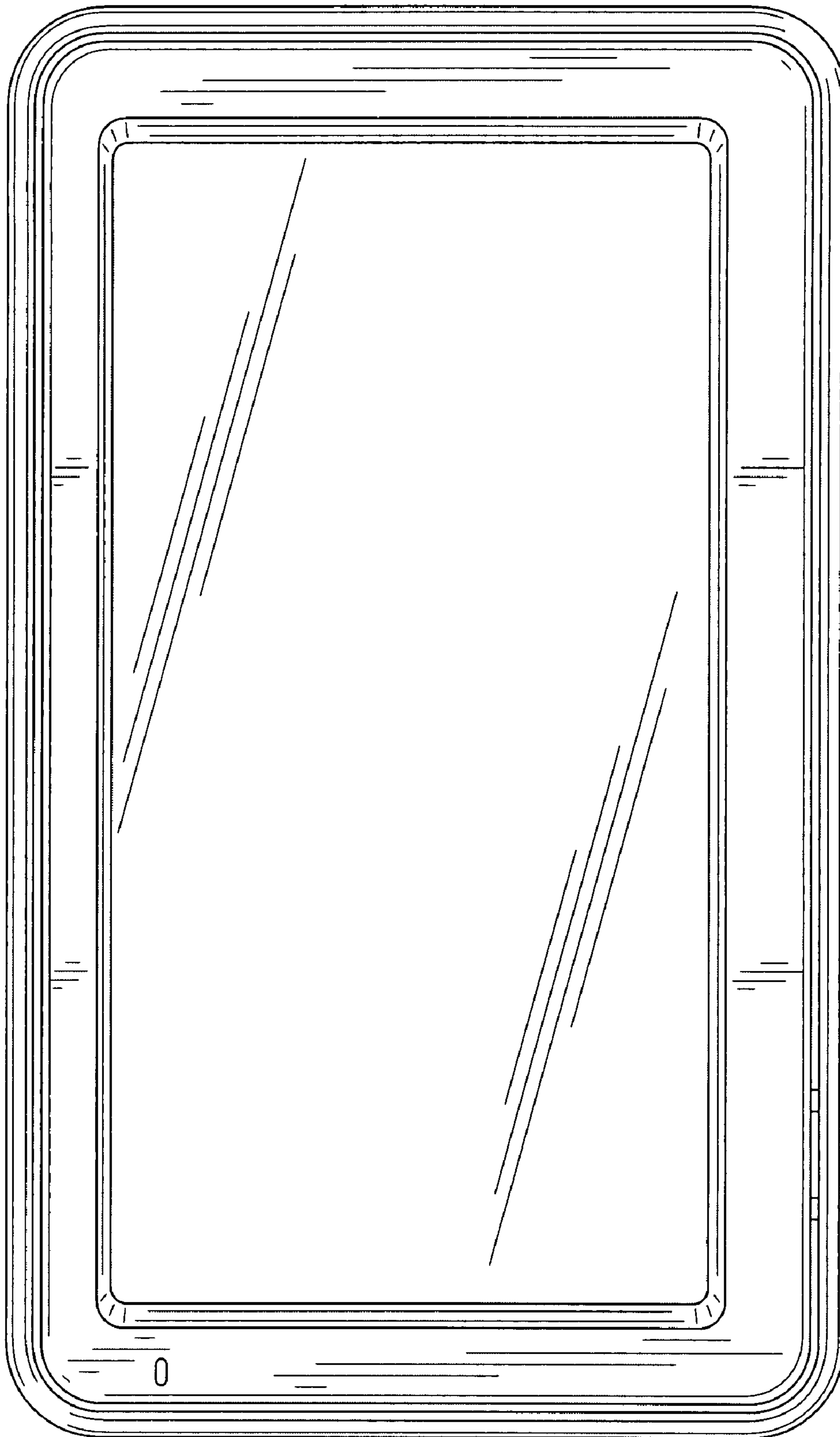


Fig.3

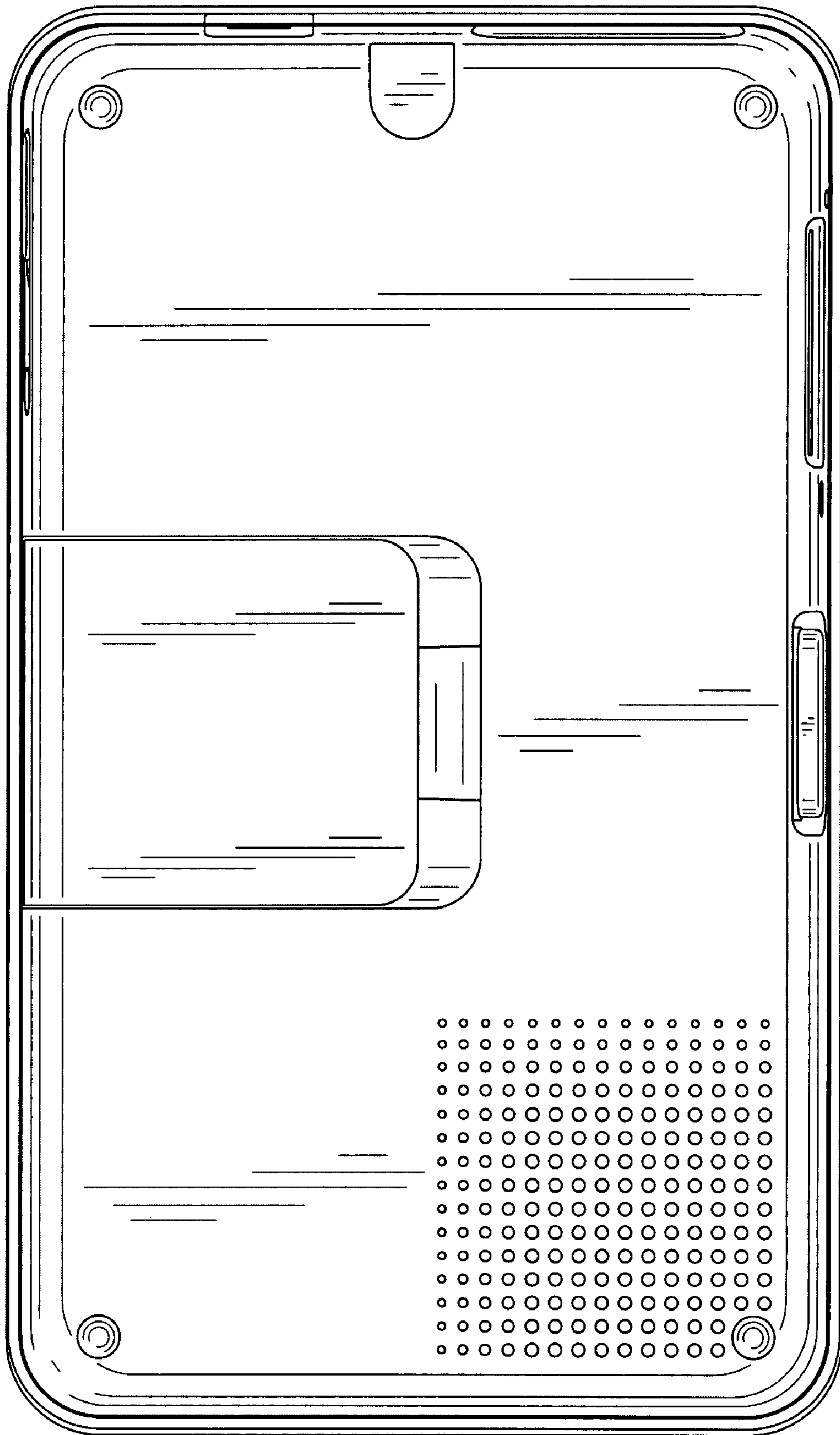


Fig.4

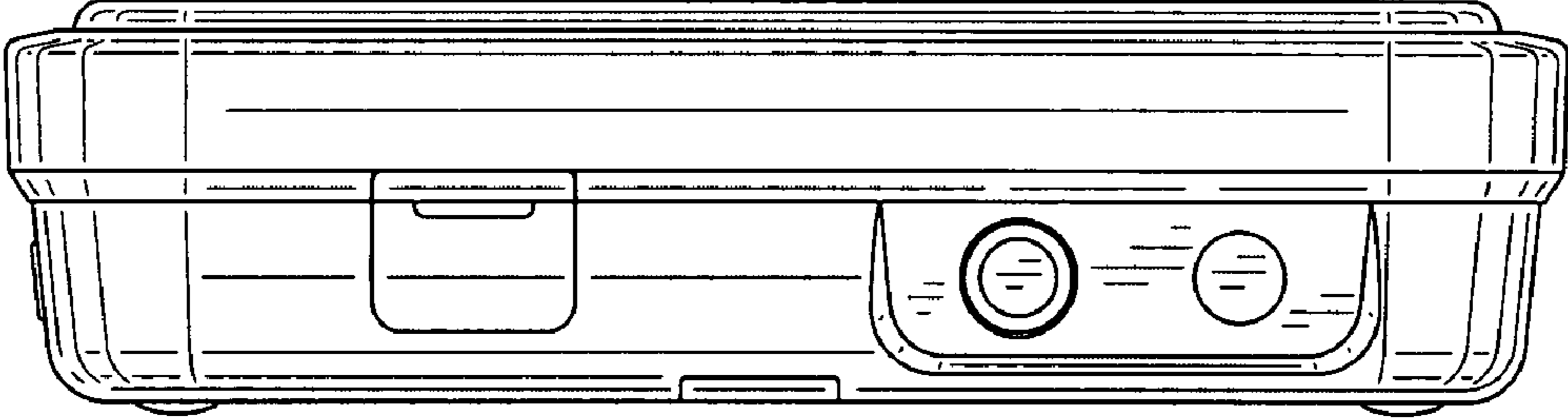


Fig.5

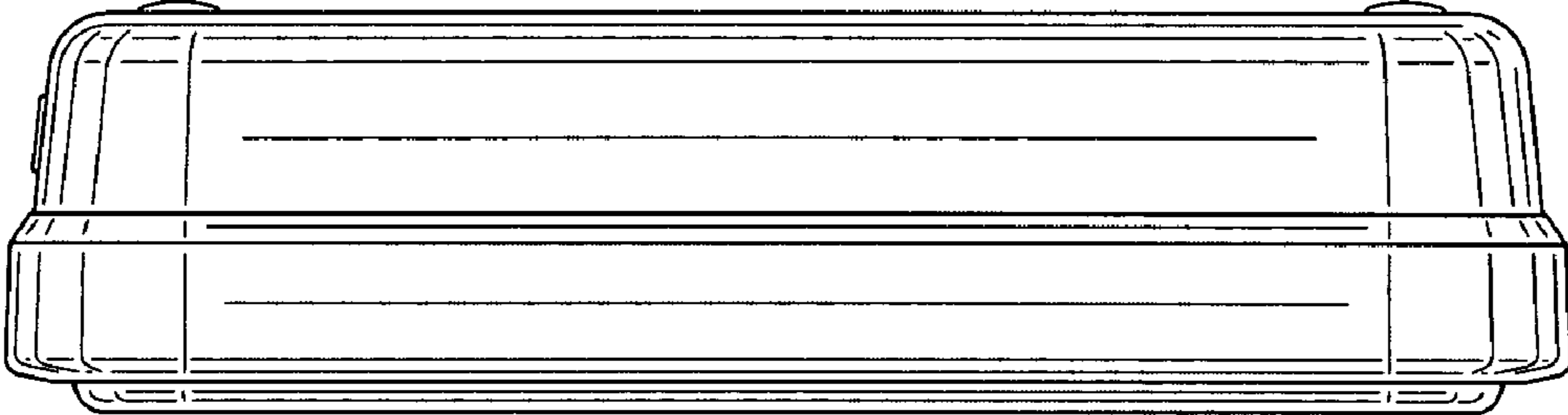


Fig.6

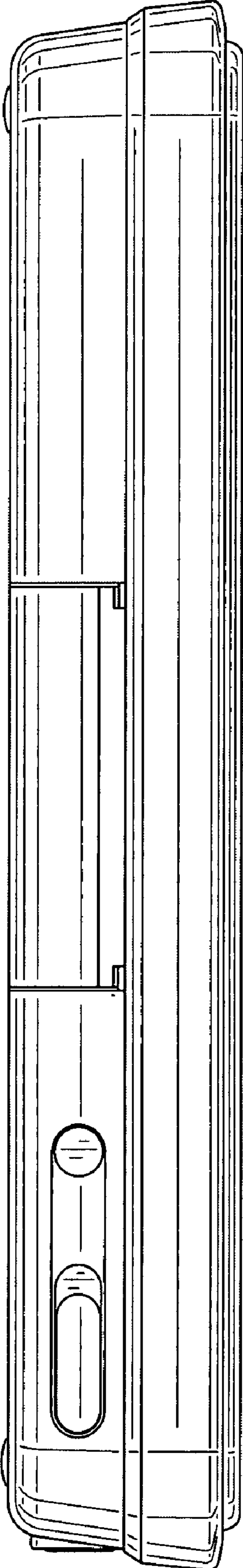


Fig.7

