



US00D582913S

(12) **United States Design Patent**
Warme

(10) **Patent No.:** **US D582,913 S**

(45) **Date of Patent:** **** Dec. 16, 2008**

(54) **FEET FOR A DATA CARRIER STAND**

(75) Inventor: **Jan Warme**, Stockholm (SE)

(73) Assignee: **Expolinc Solna Aktiebolag** (SE)

(**) Term: **14 Years**

(21) Appl. No.: **29/264,592**

(22) Filed: **Aug. 14, 2006**

(51) **LOC (8) Cl.** **14-99**

(52) **U.S. Cl.** **D14/299**

(58) **Field of Classification Search** D14/224,
D14/299, 451, 452; D6/419, 449, 498, 328,
D6/363, 364, 365, 366, 367, 411, 486, 495,
D6/496; D24/128, 140; D26/63, 140; 403/64;
33/365; 248/124.1, 125.8, 188-188.7, 158,
248/528, 519, 170, 441.1; 84/327

See application file for complete search history.

(56) **References Cited**

U.S. PATENT DOCUMENTS

2,283,324	A *	5/1942	Faber	248/158
2,547,924	A *	4/1951	Citro	84/327
3,173,642	A *	3/1965	Greenspan	248/170
3,492,739	A *	2/1970	Boyle, Jr.	33/365
3,526,380	A *	9/1970	Tong	248/528
3,934,806	A *	1/1976	Rady	248/441.1
D333,058	S *	2/1993	Diffrient	D6/498
D353,912	S *	12/1994	Shiao	D26/140

5,527,010 A * 6/1996 Kao 248/519

* cited by examiner

Primary Examiner—Paula Greene

(74) *Attorney, Agent, or Firm*—Gottlieb, Rackman & Reisman, PC

(57) **CLAIM**

The ornamental design for feet for a data carrier stand, as shown and described.

DESCRIPTION

FIG. 1 is a perspective view of feet for a data carrier stand, showing my new design;

FIG. 2 is a top plan view thereof;

FIG. 3 is a side elevational view thereof, the undisclosed portions are not part of the claimed design;

FIG. 4 is a side elevational view thereof, the undisclosed portions are not part of the claimed design;

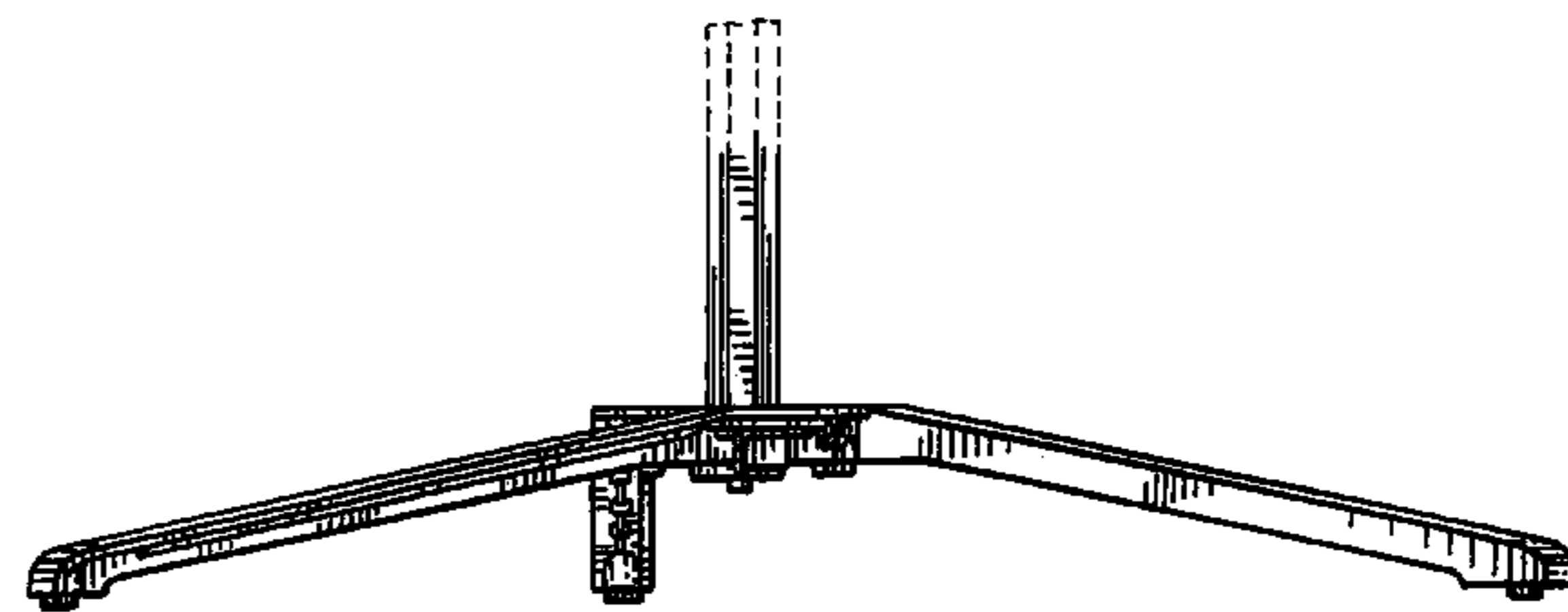
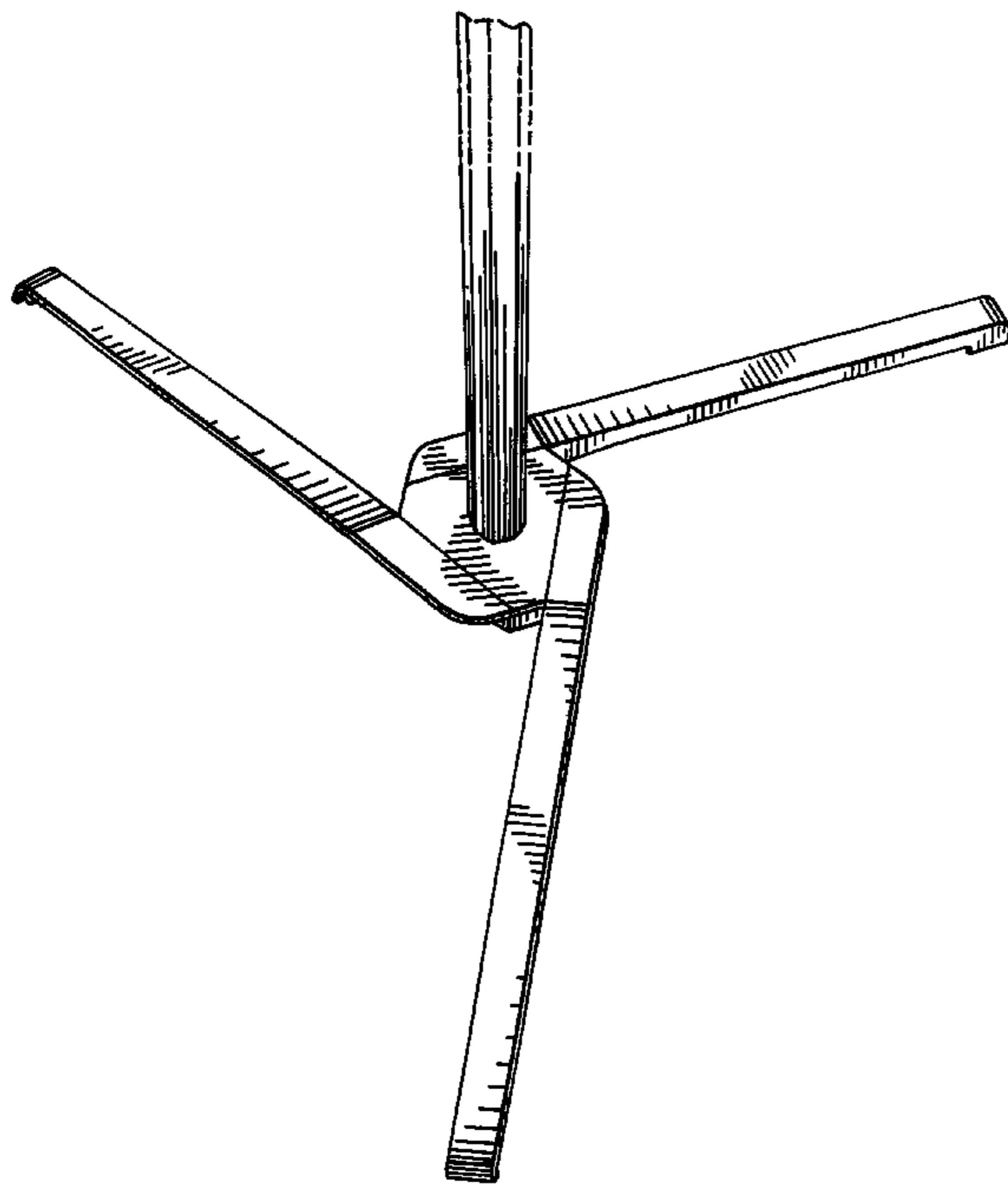
FIG. 5 is a side elevational view thereof, the undisclosed portions are not part of the claimed design;

FIG. 6 is a side elevational view thereof, the undisclosed portions are not part of the claimed design; and,

FIG. 7 is a bottom plan view thereof.

The broken lines in the drawing figures are for illustrative purposes only, forming no part of the claimed design.

1 Claim, 5 Drawing Sheets



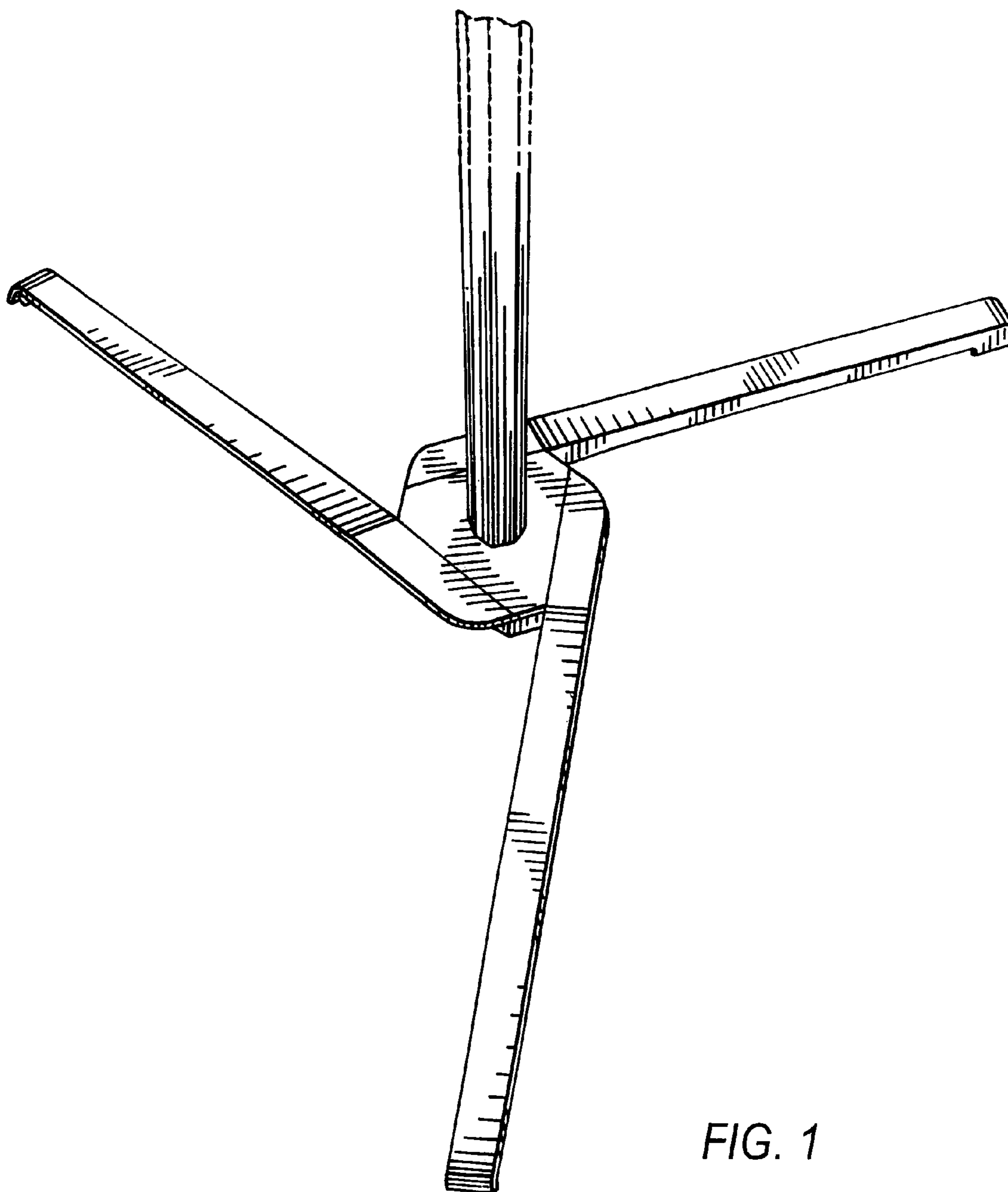
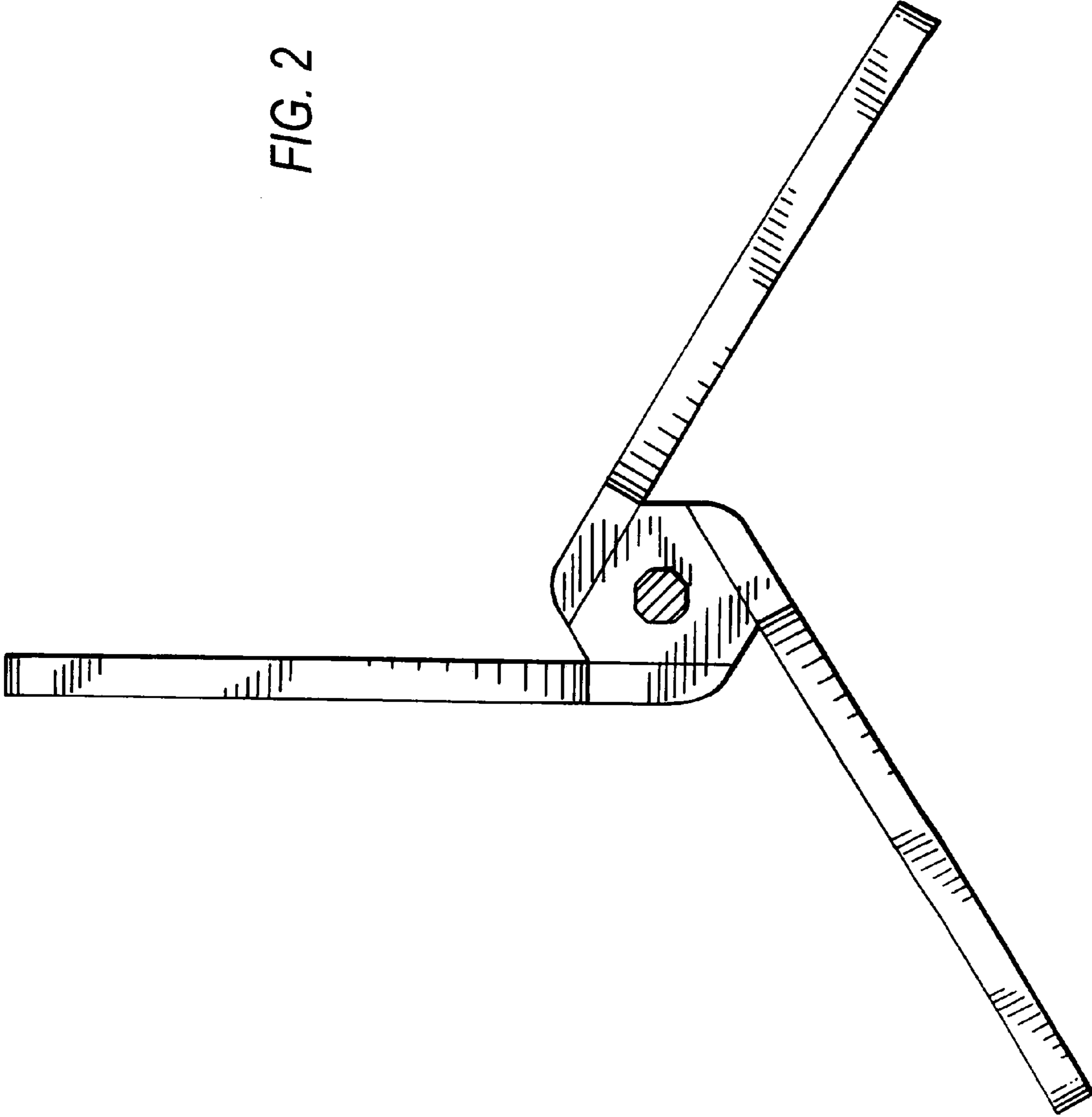


FIG. 2



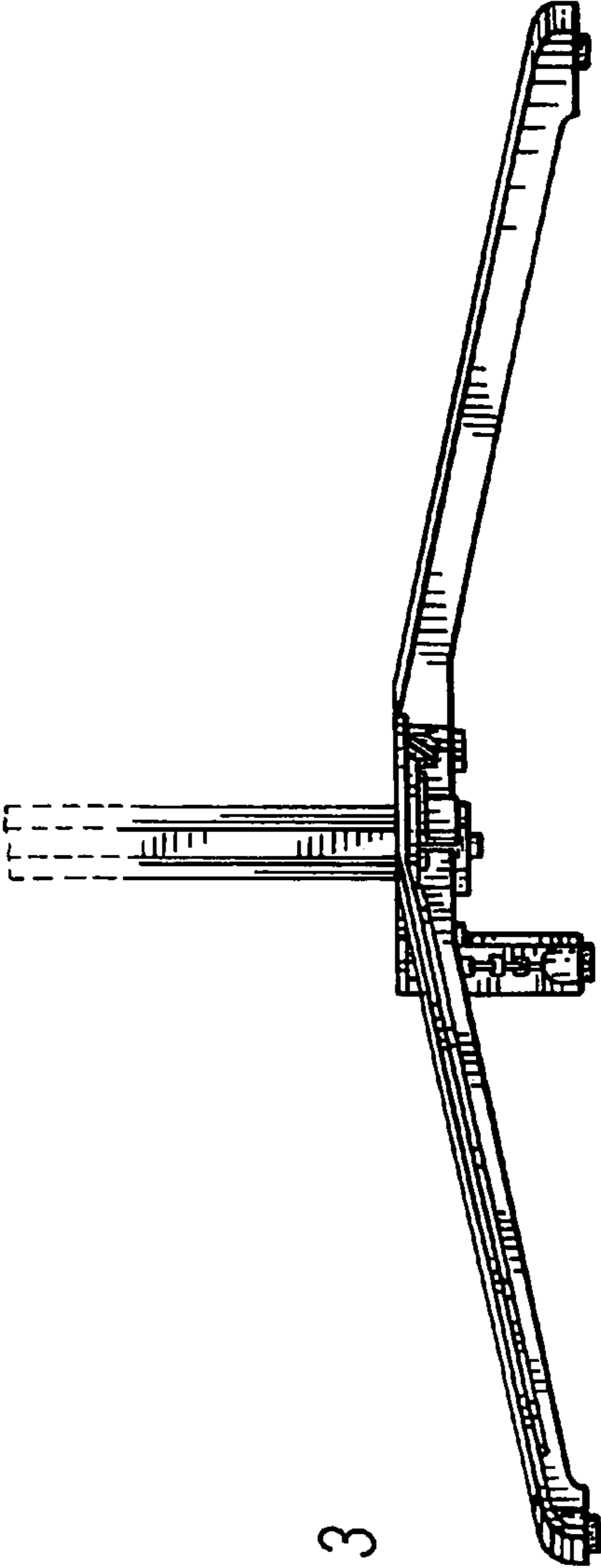


FIG. 3

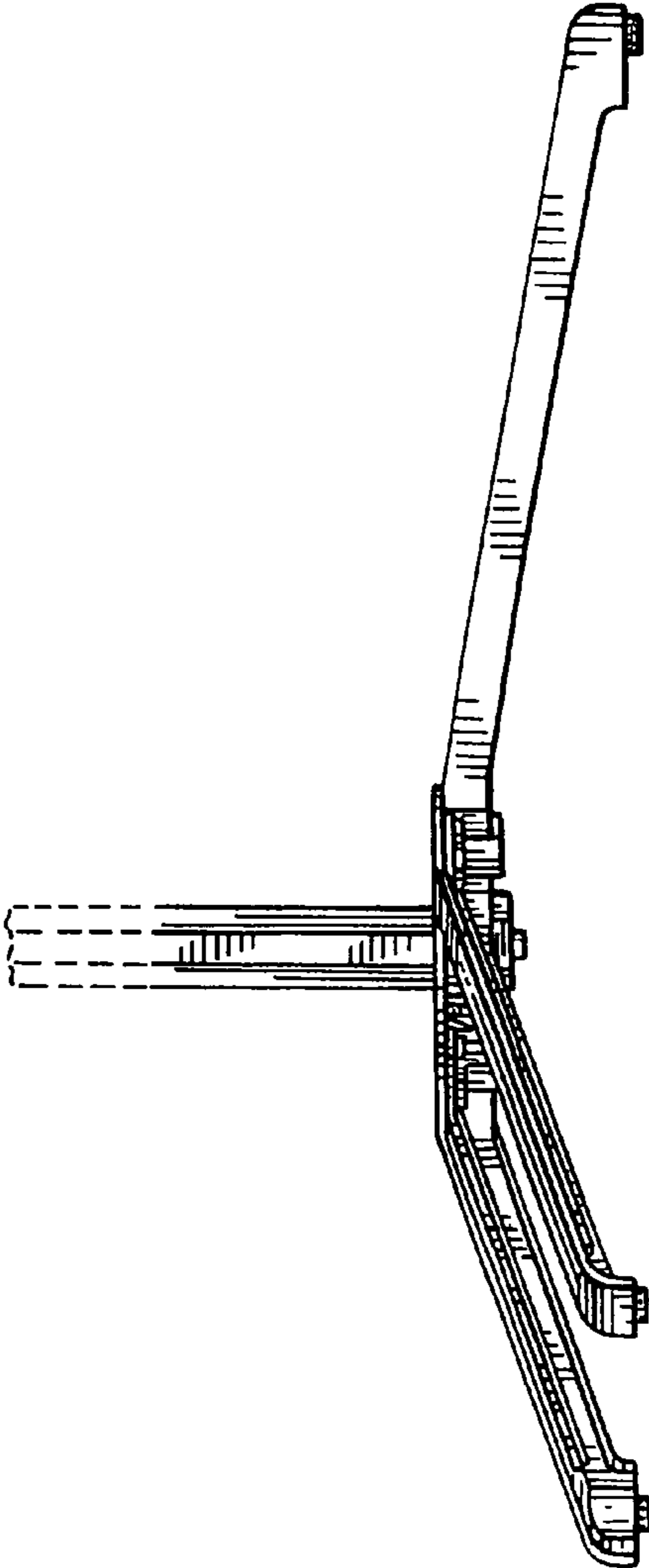


FIG. 4

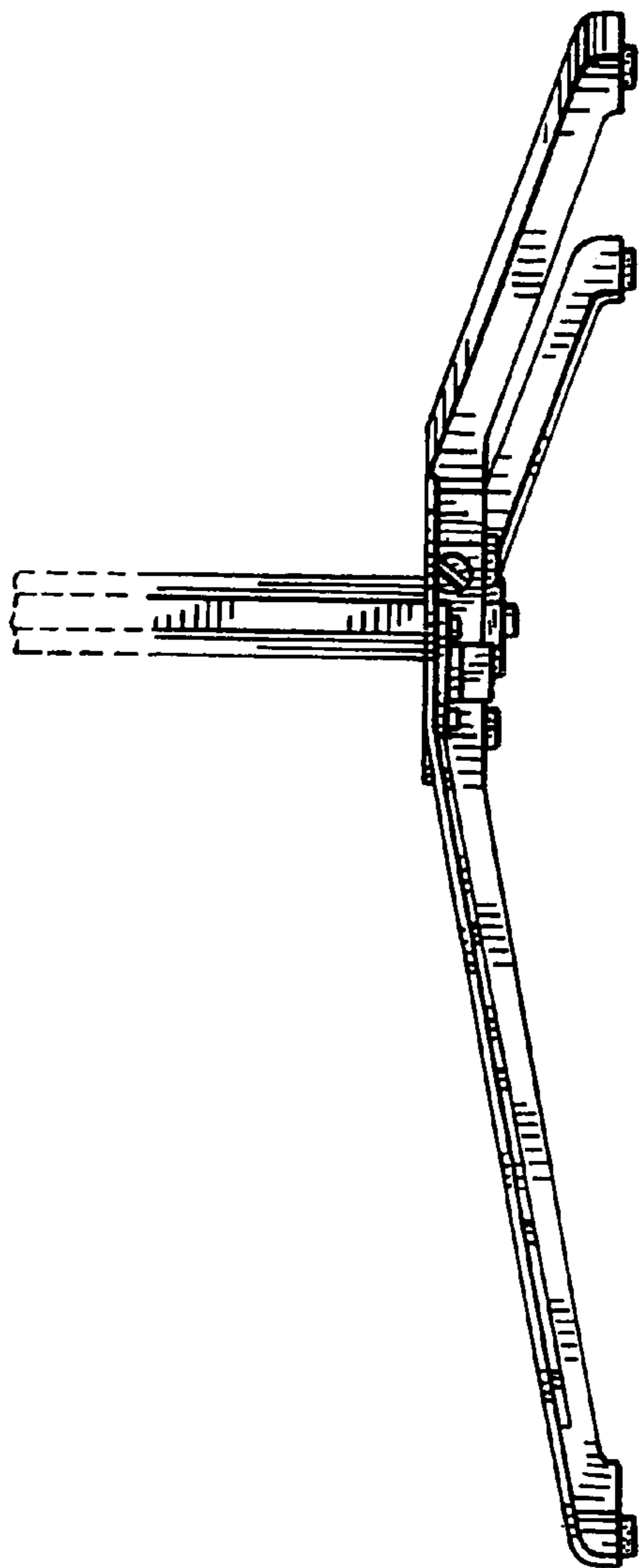


FIG. 5

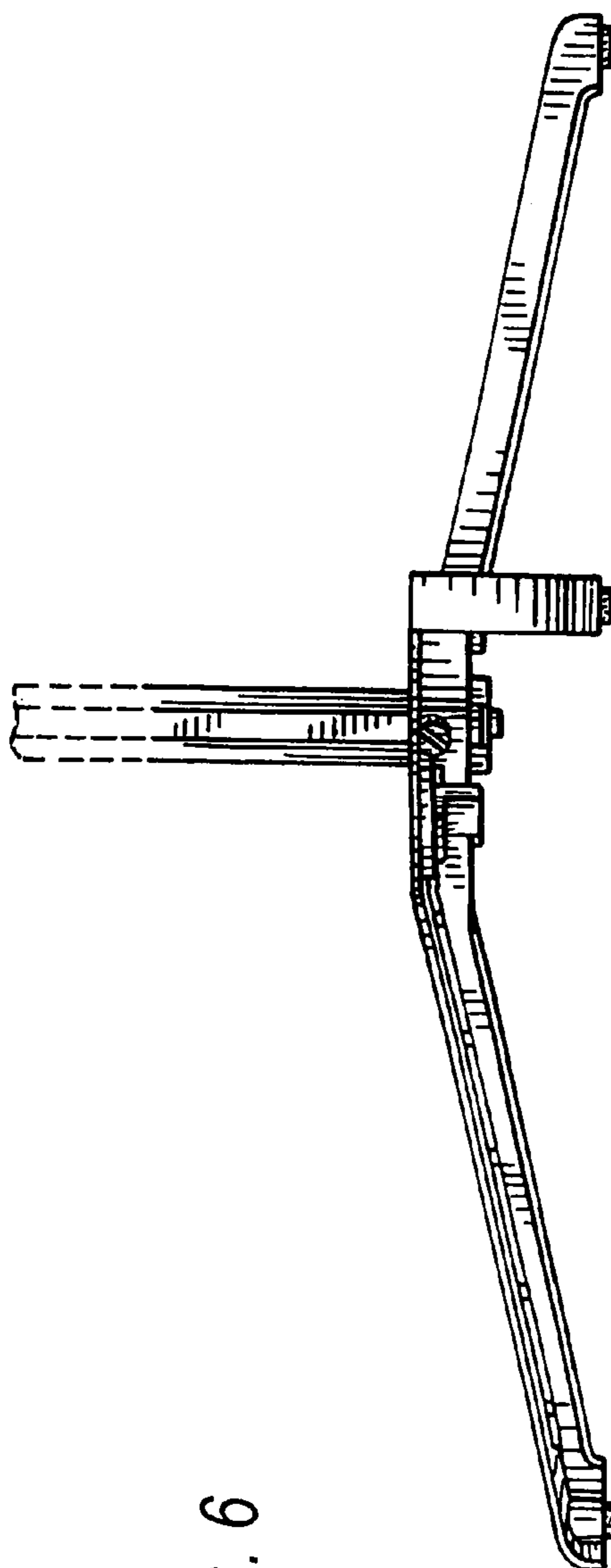


FIG. 6

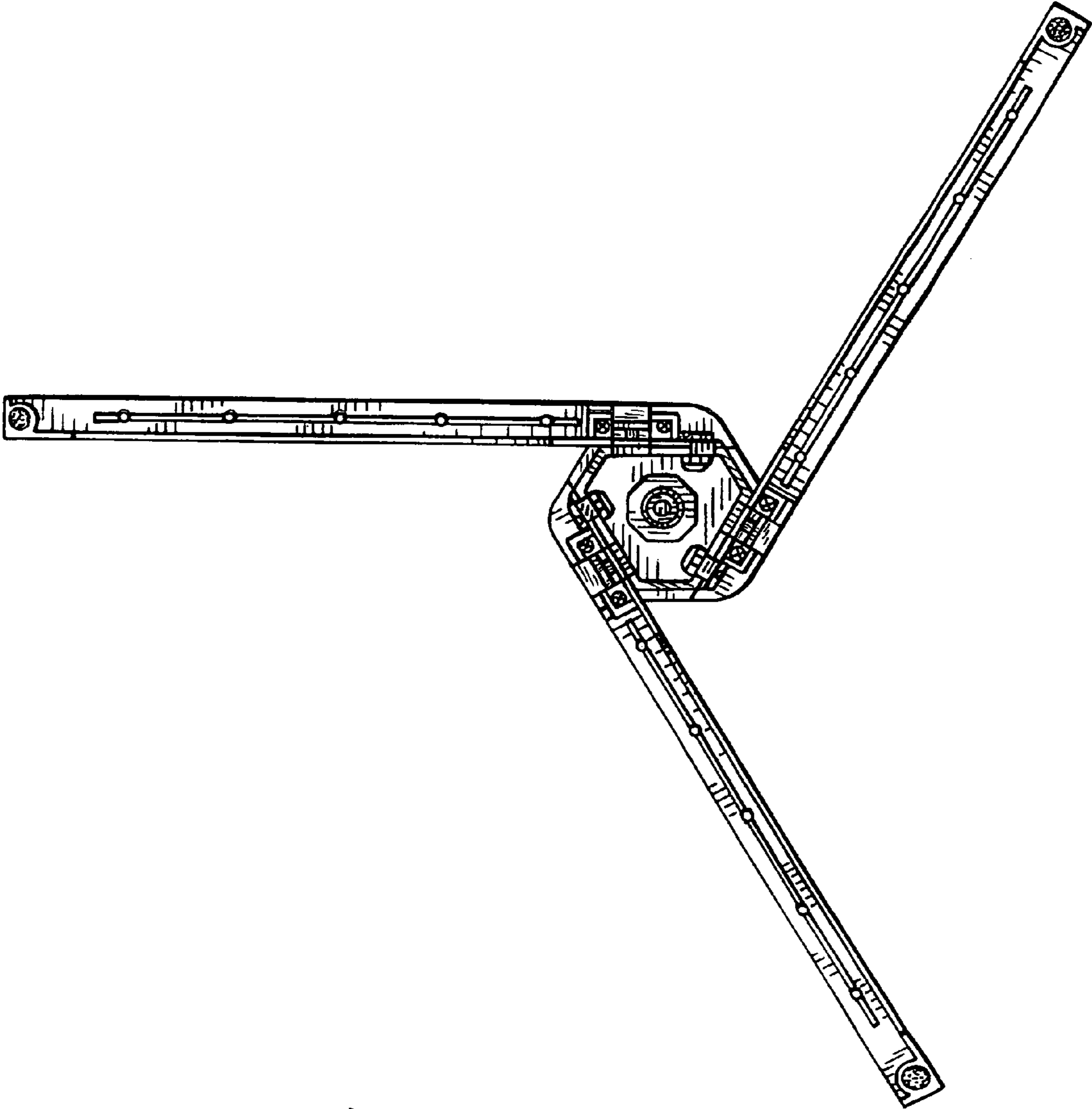


FIG. 7