



US00D582912S

(12) **United States Design Patent**  
**Quilling, II**

(10) **Patent No.:** **US D582,912 S**

(45) **Date of Patent:** **\*\* Dec. 16, 2008**

(54) **AUTO STEREO INSTALLATION DEVICE**

(75) **Inventor:** **R. Spencer Quilling, II**, DeLand, FL  
(US)

(73) **Assignee:** **Metra Electronics Corp.**, Holly Hills,  
FL (US)

(\*\*) **Term:** **14 Years**

(21) **Appl. No.:** **29/308,046**

(22) **Filed:** **May 23, 2008**

(51) **LOC (8) Cl.** ..... **14-01**

(52) **U.S. Cl.** ..... **D14/258**

(58) **Field of Classification Search** ..... D14/258,  
D14/257, 224, 217, 198, 197, 188, 17, 170,  
D14/168, 167, 164, 162, 161, 160, 157, 156,  
D14/136, 135, 415, 418, 400, 195; 720/691,  
720/658, 270; 455/344, 575.1; 396/434,  
396/93; 386/1; 369/75.1; 360/47, 4; 359/550,  
359/258; 349/460, 159, 10

See application file for complete search history.

(56) **References Cited**

**U.S. PATENT DOCUMENTS**

D482,024 S \* 11/2003 Quilling et al. .... D14/224  
D492,287 S \* 6/2004 Quilling, II ..... D14/224  
D504,423 S \* 4/2005 Quilling, II ..... D14/258  
D505,672 S \* 5/2005 Quilling ..... D14/224  
D507,791 S \* 7/2005 Quilling, II ..... D14/224

D508,986 S \* 8/2005 Peng ..... D23/311  
D513,508 S \* 1/2006 Quilling, II ..... D14/258  
D517,061 S \* 3/2006 Quilling, II ..... D14/258  
D531,879 S \* 11/2006 Quilling, II ..... D14/258  
D555,645 S \* 11/2007 Quilling, II ..... D14/258  
D567,811 S \* 4/2008 Quilling, II ..... D14/258

\* cited by examiner

*Primary Examiner*—Robert M Spear

*Assistant Examiner*—Katrina A Kile

(74) *Attorney, Agent, or Firm*—John Wiley Horton

(57) **CLAIM**

The ornamental design for an “auto stereo installation device,” as shown and described.

**DESCRIPTION**

FIG. 1 is a perspective view of an auto stereo installation device, showing my design;

FIG. 2 is a front elevation view of FIG. 1;

FIG. 3 is a rear elevation view of FIG. 1;

FIG. 4 is a right side elevation view of FIG. 1;

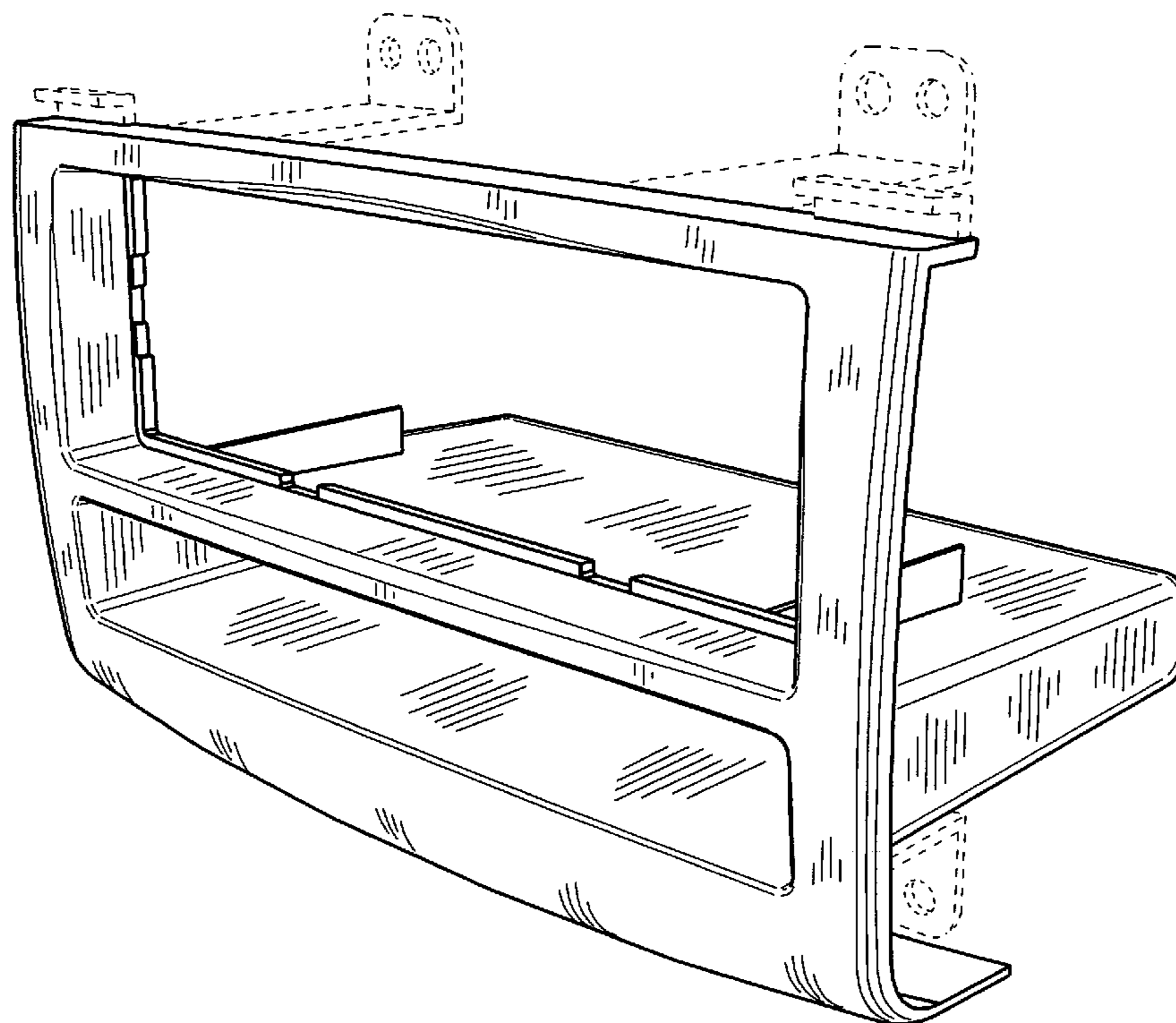
FIG. 5 is a left side elevation view of FIG. 1;

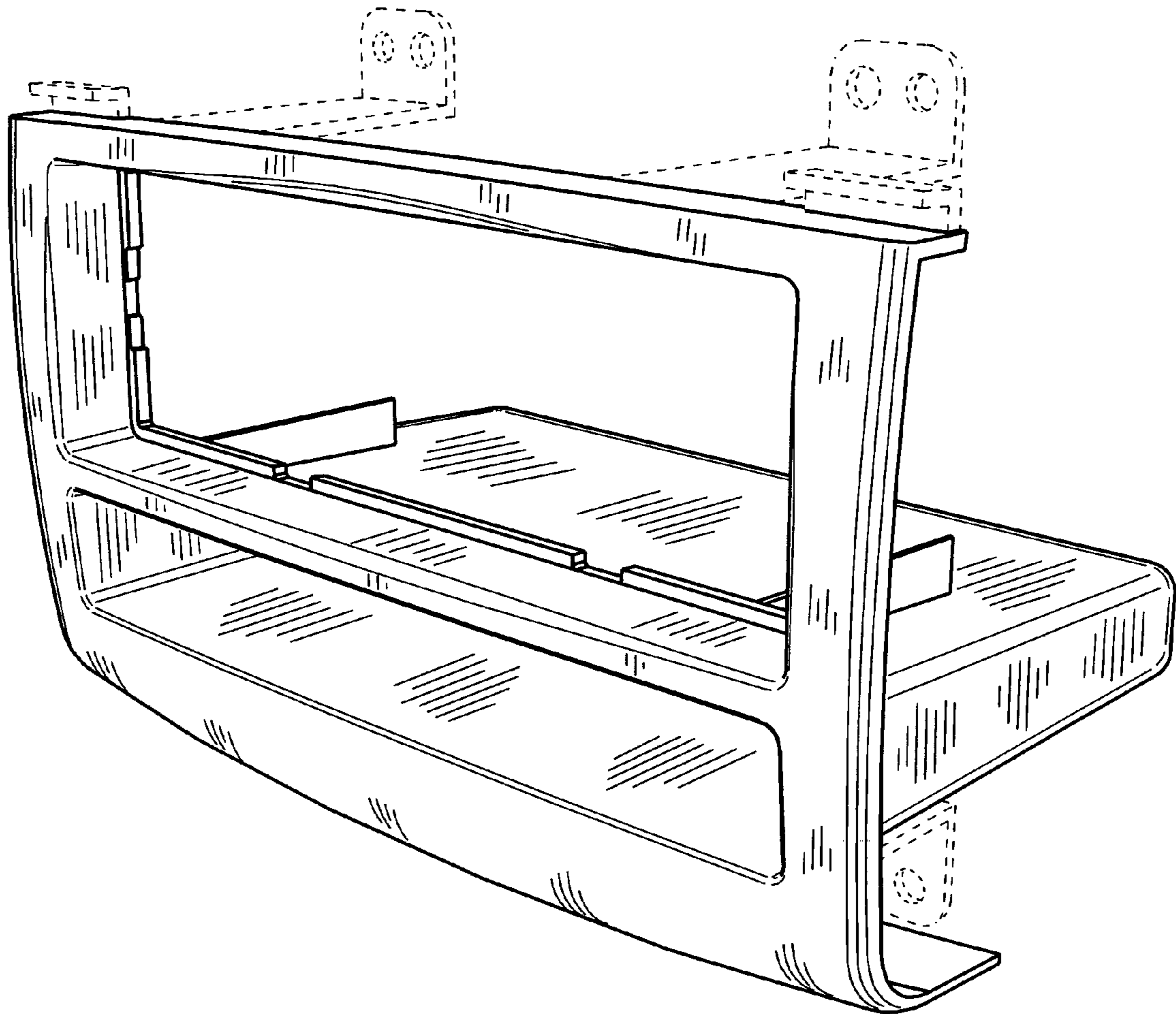
FIG. 6 is a top plan view of FIG. 1; and,

FIG. 7 is a bottom plan view of FIG. 1.

The broken lines shown in all views illustrate mounting features which form no part of the claimed design.

**1 Claim, 7 Drawing Sheets**





**FIG. 1**

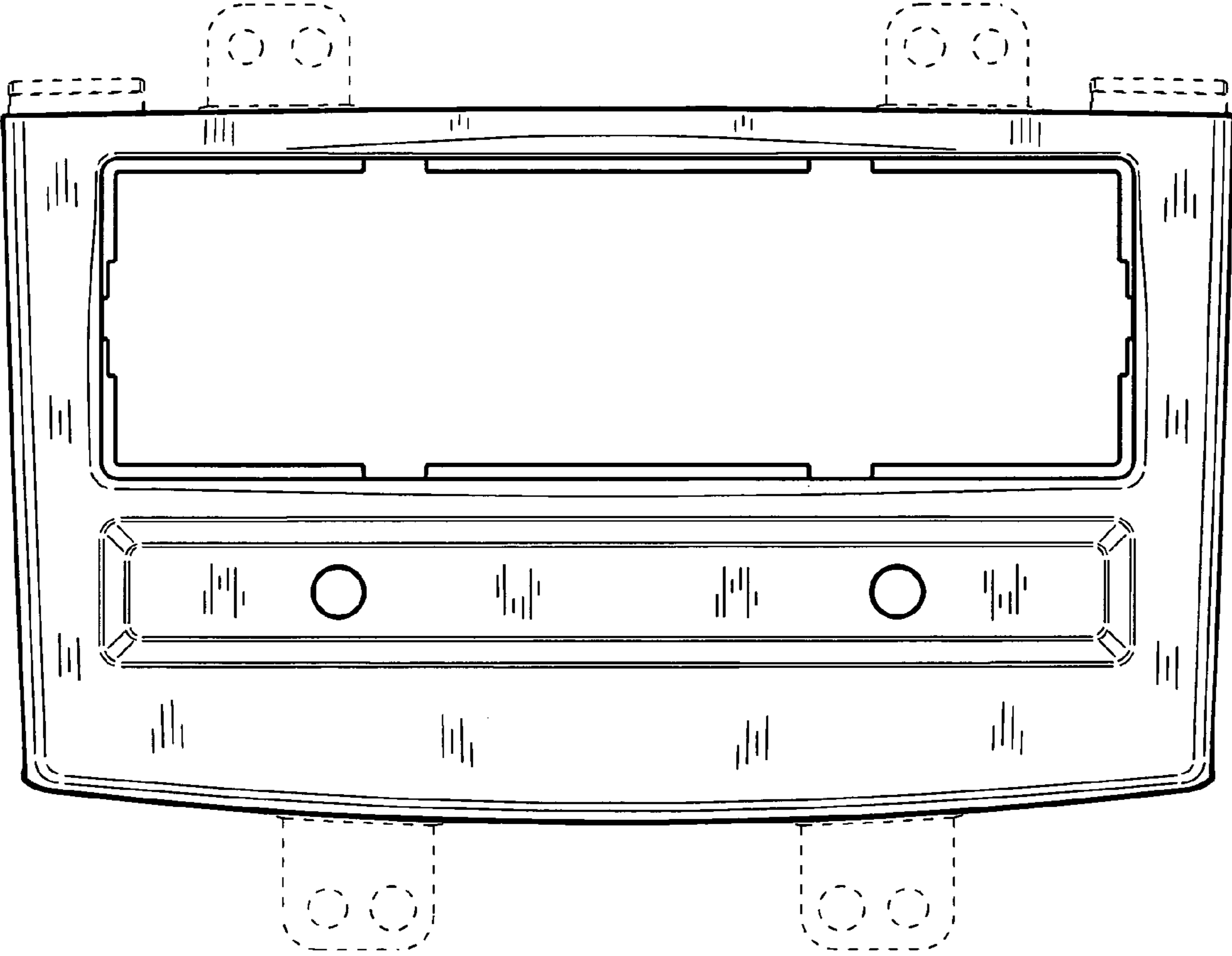


FIG. 2

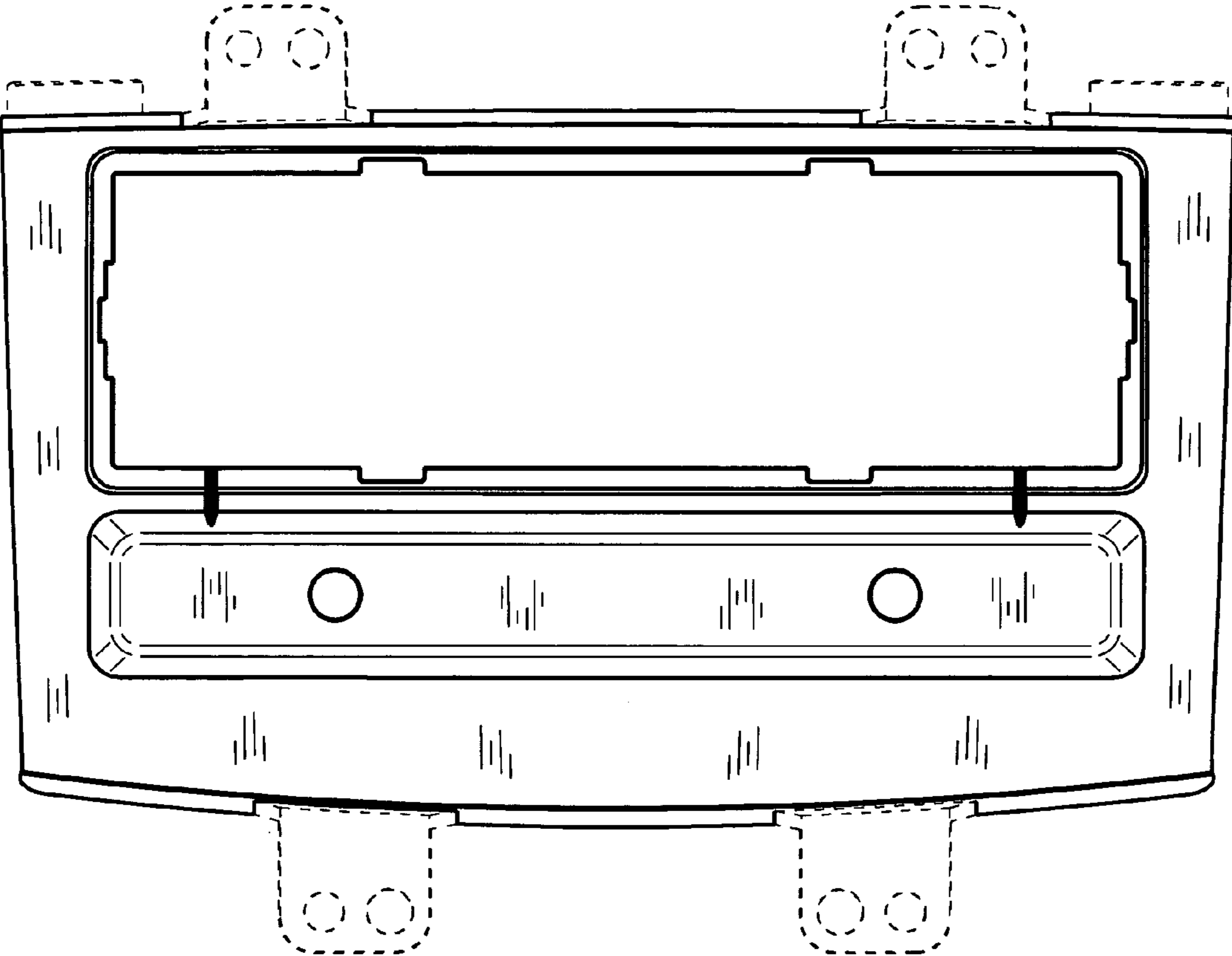
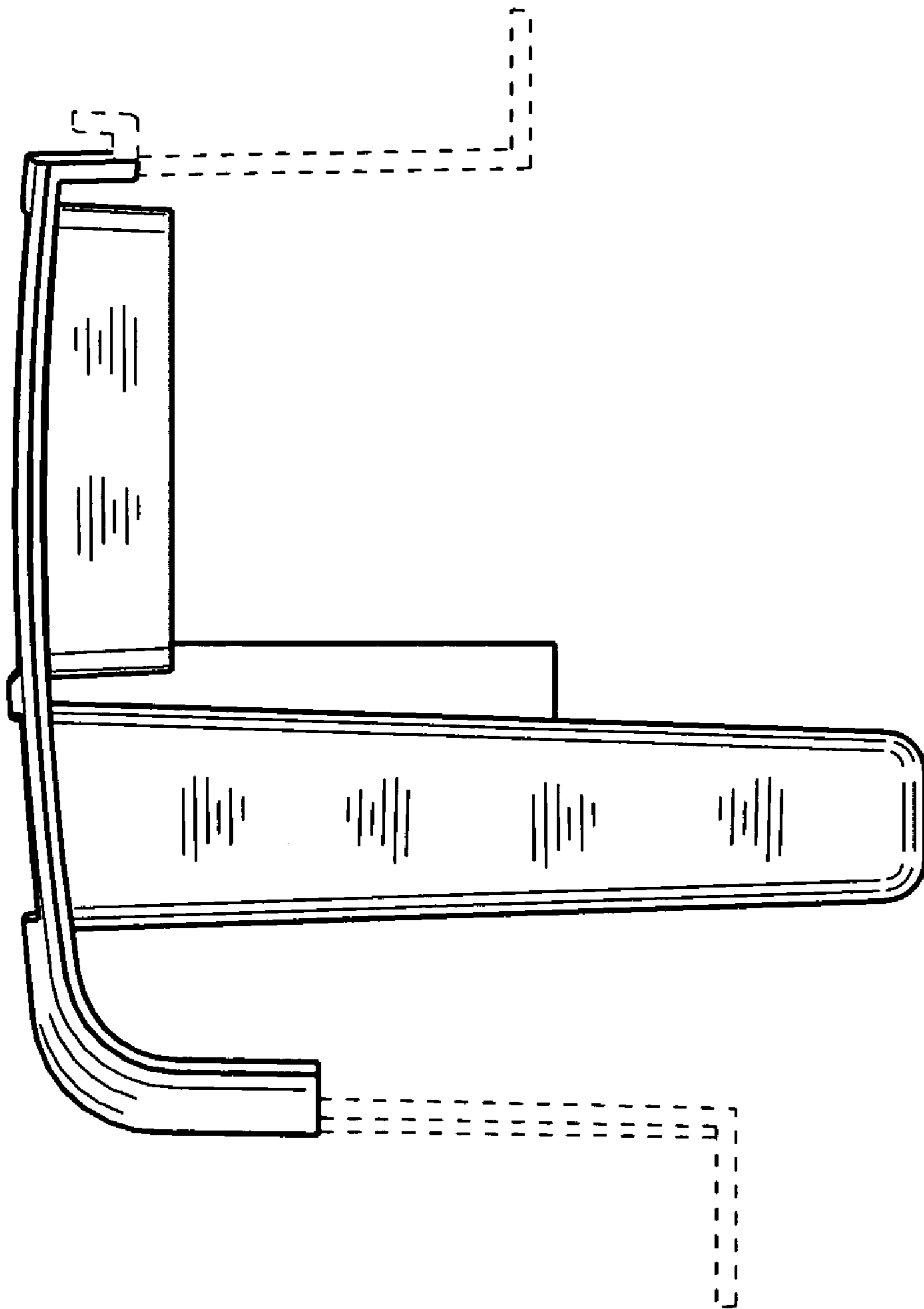
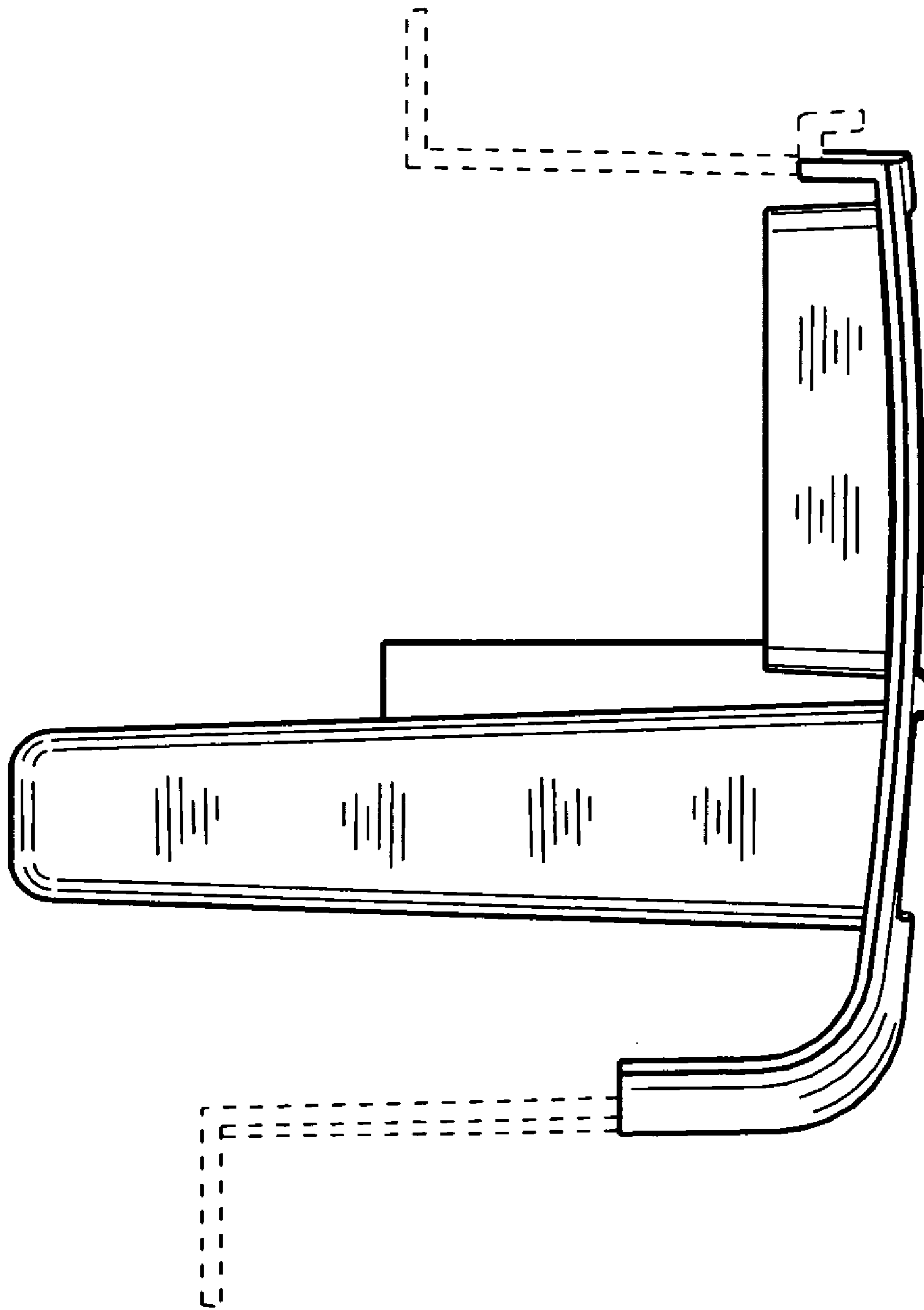


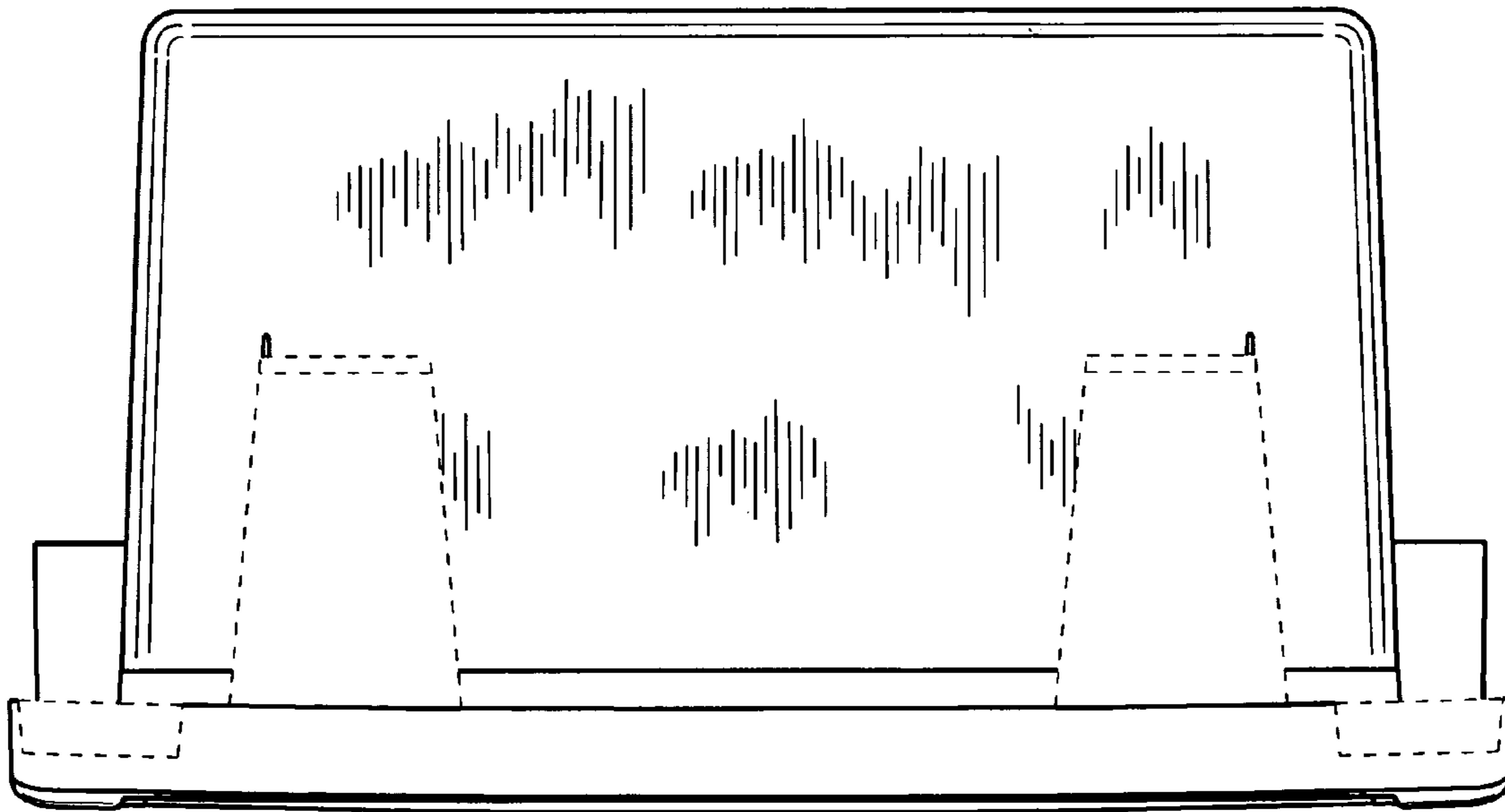
FIG. 3



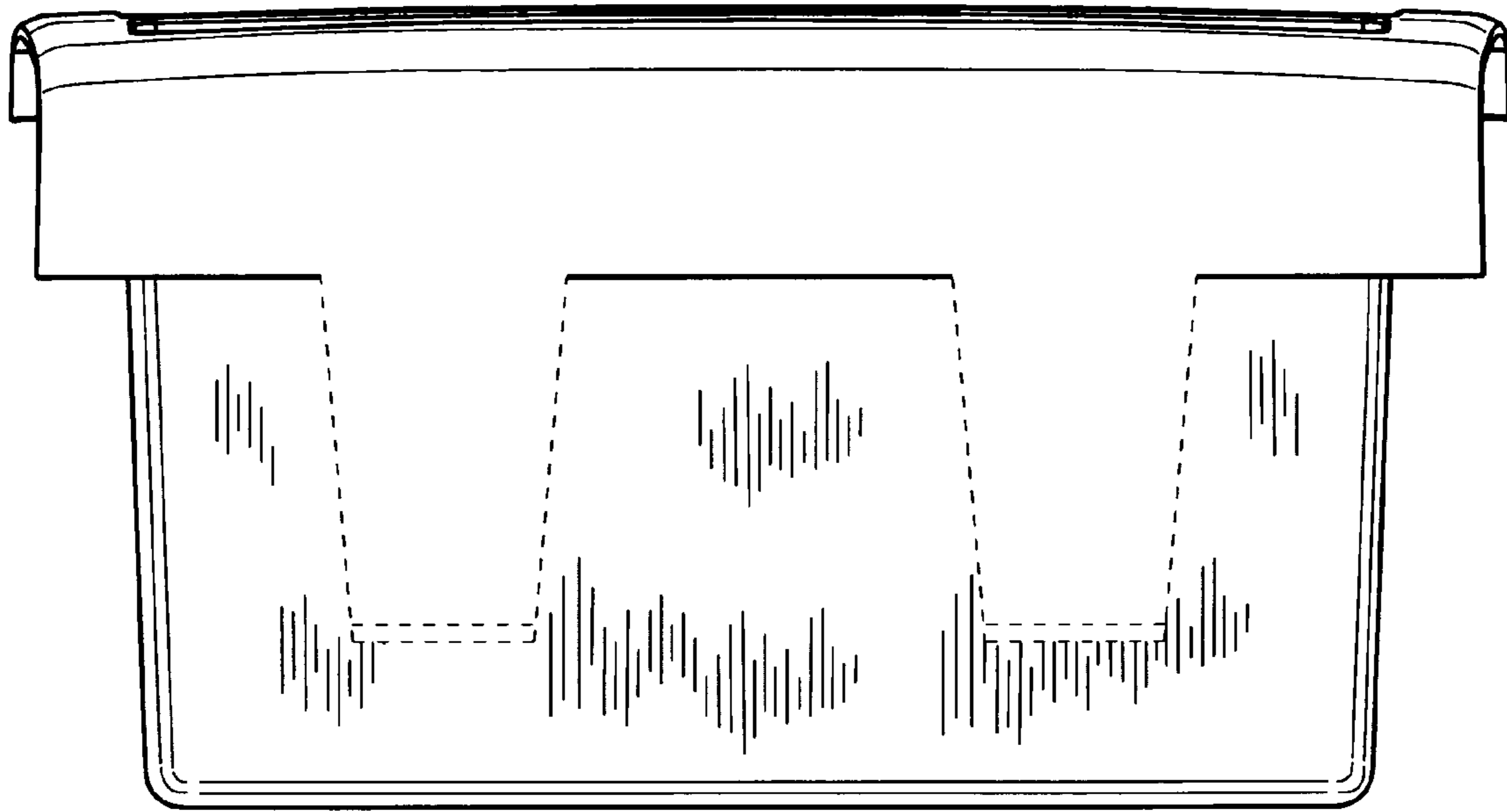
**FIG. 4**



**FIG. 5**



**FIG. 6**



**FIG. 7**