



US00D582911S

(12) **United States Design Patent**
Kimura et al.

(10) **Patent No.:** **US D582,911 S**
(45) **Date of Patent:** **** Dec. 16, 2008**

(54) **DIGITAL AUDIO DISC PLAYER WITH RADIO TUNER FOR AUTOMOBILE**

(75) Inventors: **Kenji Kimura**, Kanagawa (JP); **Hiroshi Yamamoto**, Kanagawa (JP)

(73) Assignee: **Victor Company of Japan, Limited**, Kanagawa (JP)

(**) Term: **14 Years**

(21) Appl. No.: **29/301,977**

(22) Filed: **Mar. 26, 2008**

(30) **Foreign Application Priority Data**

Oct. 2, 2007 (JP) 2007-026900

(51) **LOC (8) Cl.** **14-01**

(52) **U.S. Cl.** **D14/258**

(58) **Field of Classification Search** D14/258, D14/257, 224, 217, 198, 197, 188, 17, 170, D14/168, 167, 164, 162, 161, 160, 157, 156, D14/136, 135, 415, 418, 400, 195; 720/691, 720/658, 270; 455/344, 575.1; 396/434, 396/93; 386/1; 369/75.1; 360/47, 4; 359/550, 359/258; 349/460, 159, 10

See application file for complete search history.

(56) **References Cited**

U.S. PATENT DOCUMENTS

D544,860 S * 6/2007 Kimura et al. D14/258
D565,043 S * 3/2008 Shiono D14/258

D565,535 S * 4/2008 Muto D14/157
D566,684 S * 4/2008 Kimura et al. D14/156
D567,812 S * 4/2008 Kimura et al. D14/258
D571,349 S * 6/2008 Endo et al. D14/157
D572,231 S * 7/2008 Endo et al. D14/157
D573,975 S * 7/2008 Suzuki D14/157

* cited by examiner

Primary Examiner—Robert M Spear

Assistant Examiner—Katrina A Kile

(74) *Attorney, Agent, or Firm*—Osha • Liang LLP

(57) **CLAIM**

The ornamental design for a digital audio disc player with radio tuner for automobile, as shown and described.

DESCRIPTION

FIG. 1 is a front, right side, perspective view of a digital audio disc player with radio tuner for automobile showing our new design;

FIG. 2 is a front view thereof;

FIG. 3 is a rear view thereof;

FIG. 4 is a left side view thereof;

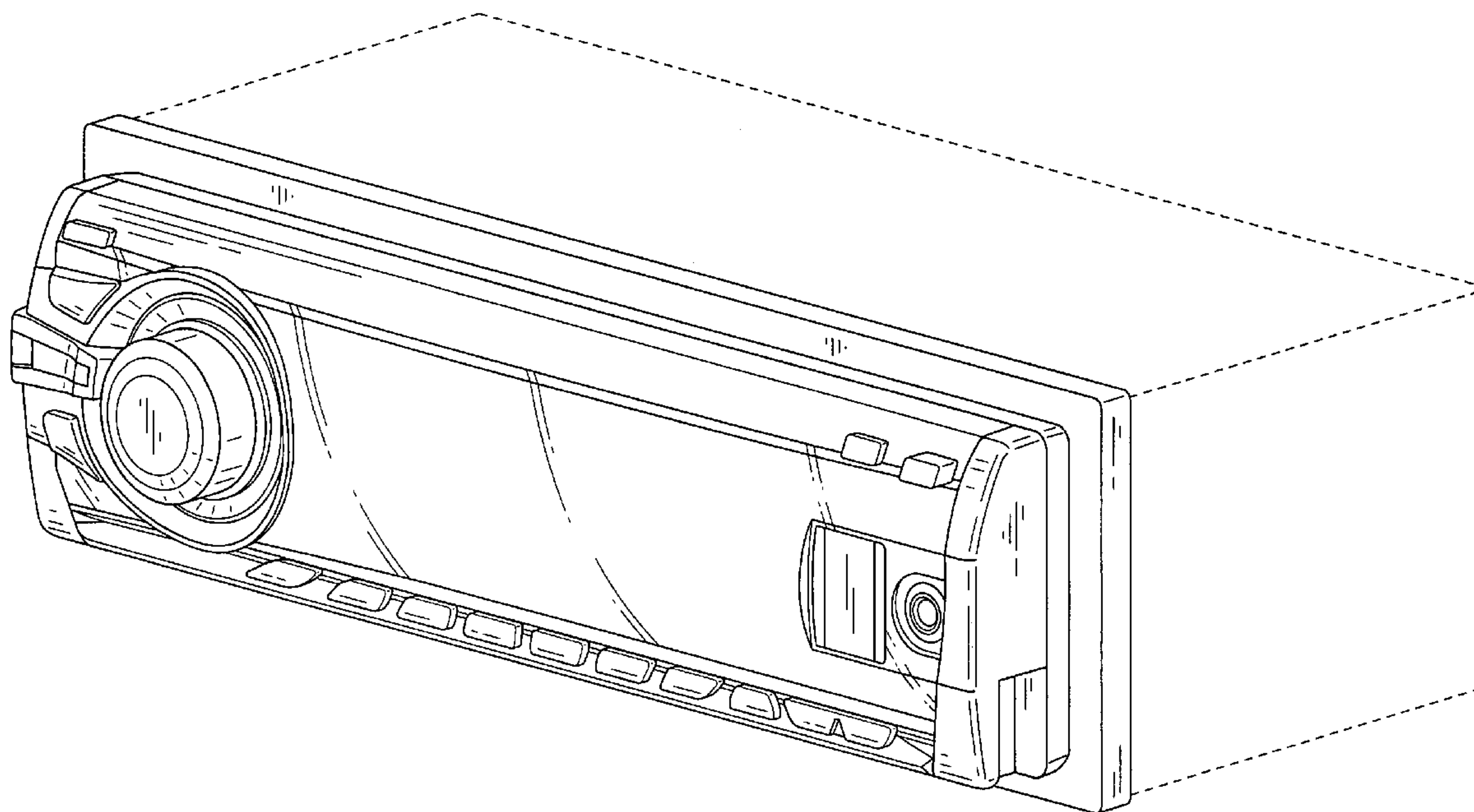
FIG. 5 is a right side view thereof;

FIG. 6 is a top plan view thereof; and,

FIG. 7 is a bottom view thereof.

The broken lines in the drawing figures represent portions of a radio that form no part of the claimed design.

1 Claim, 5 Drawing Sheets



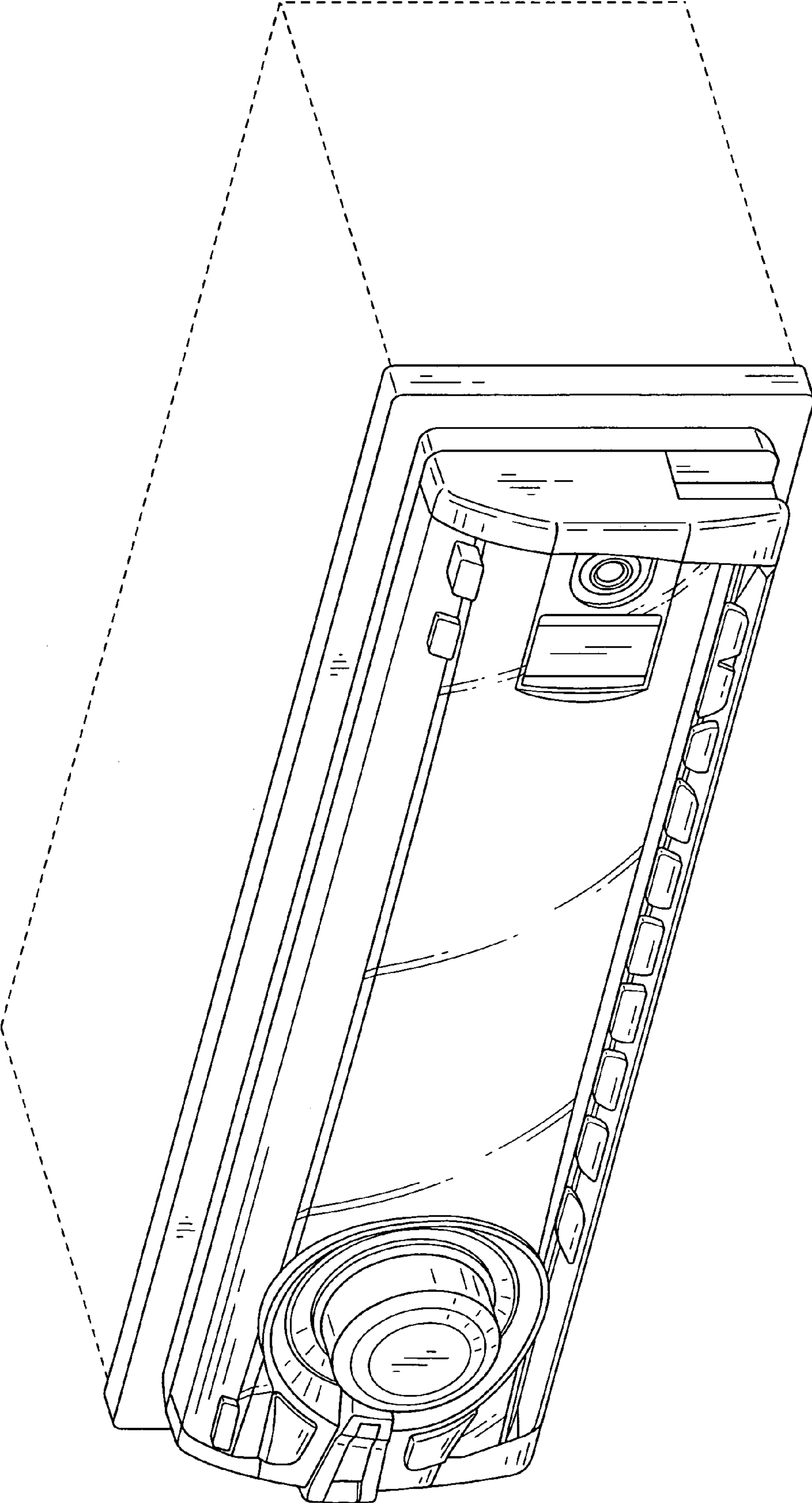


FIG. 1

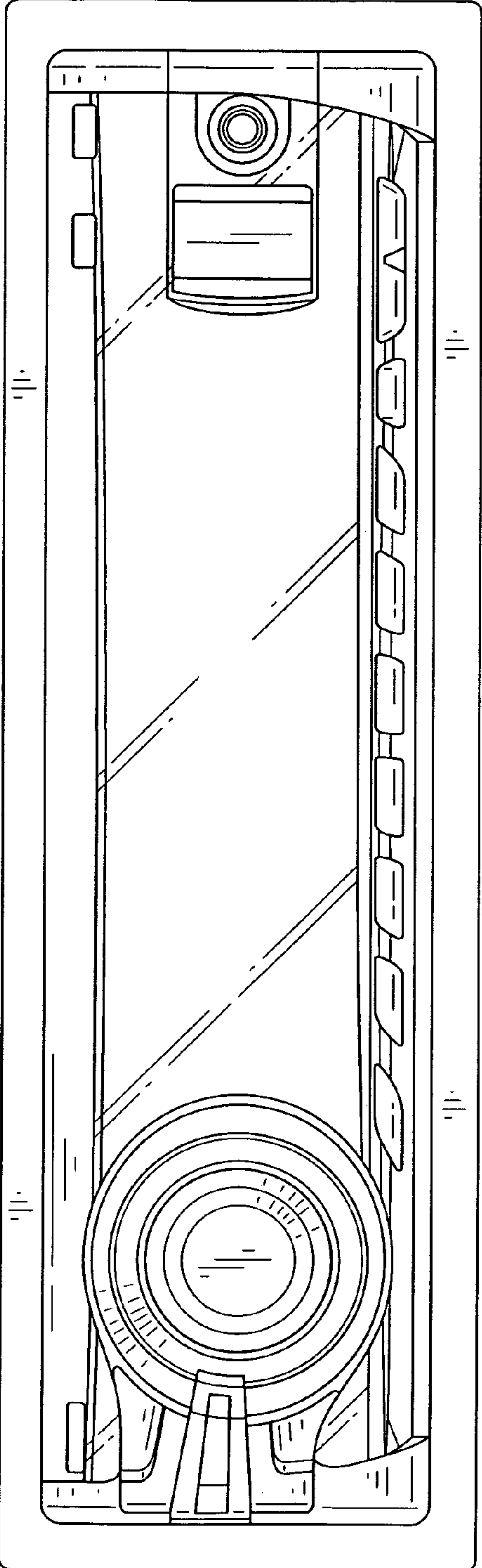


FIG. 2

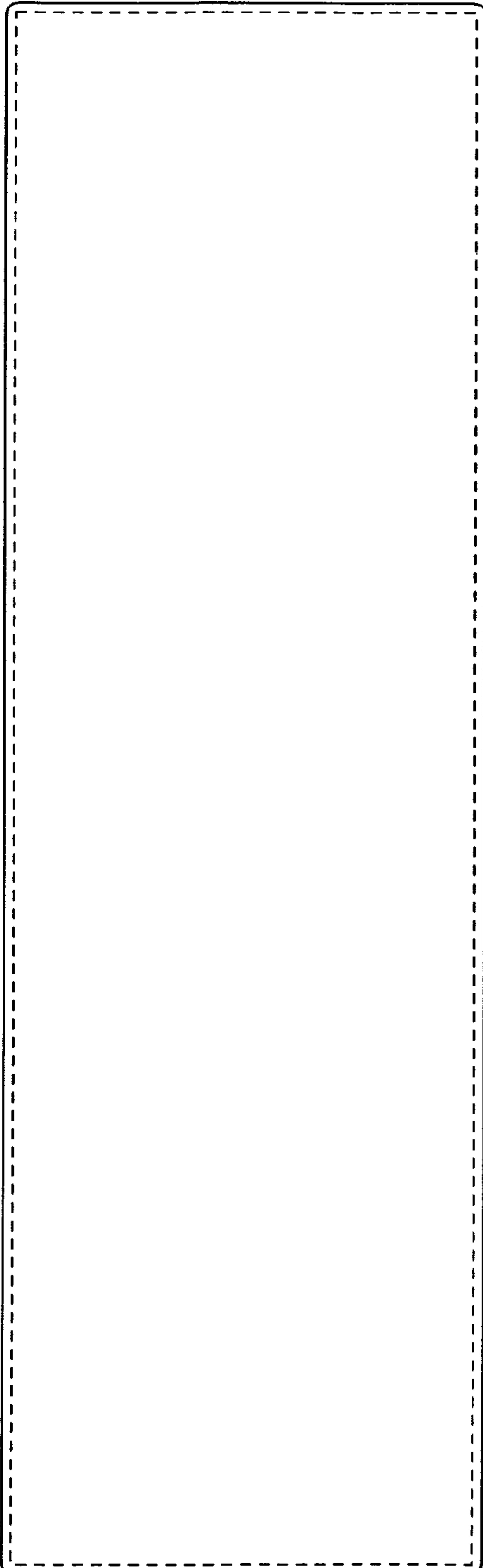


FIG. 3

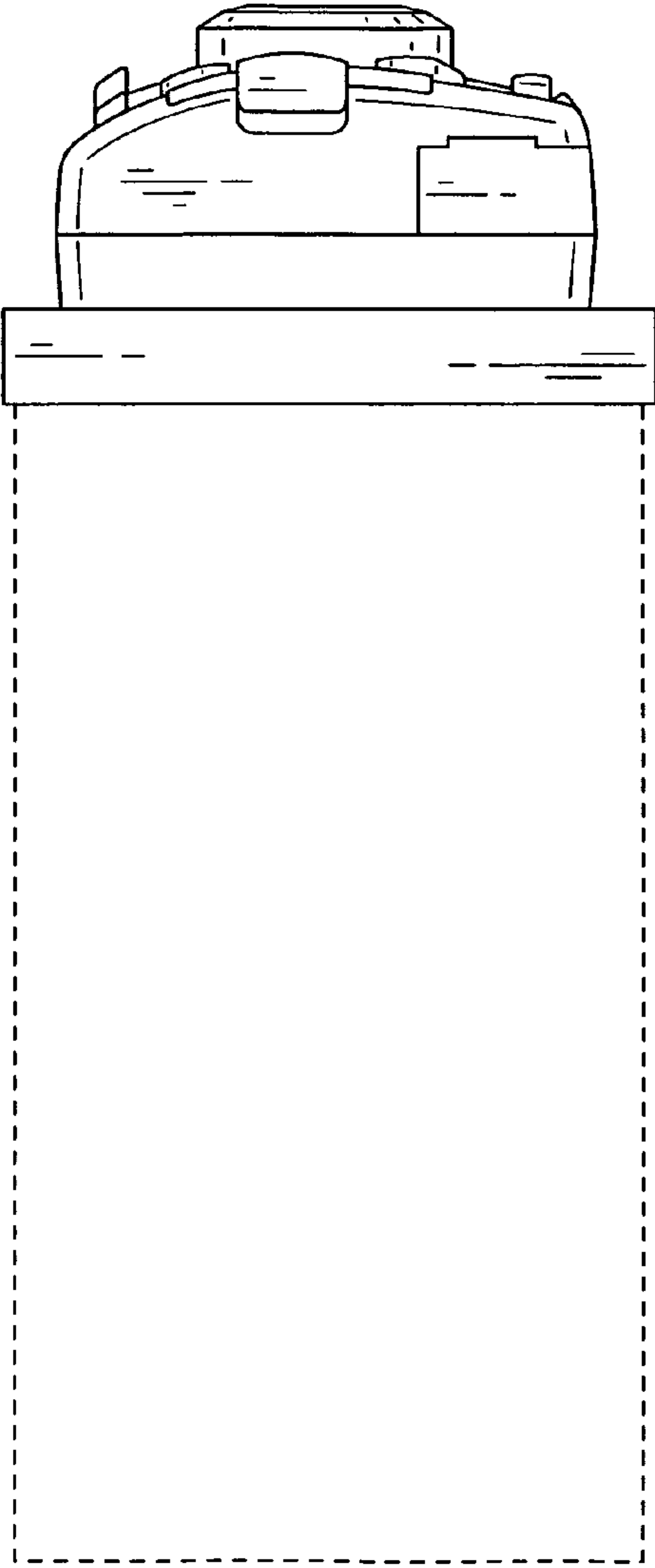


FIG. 4

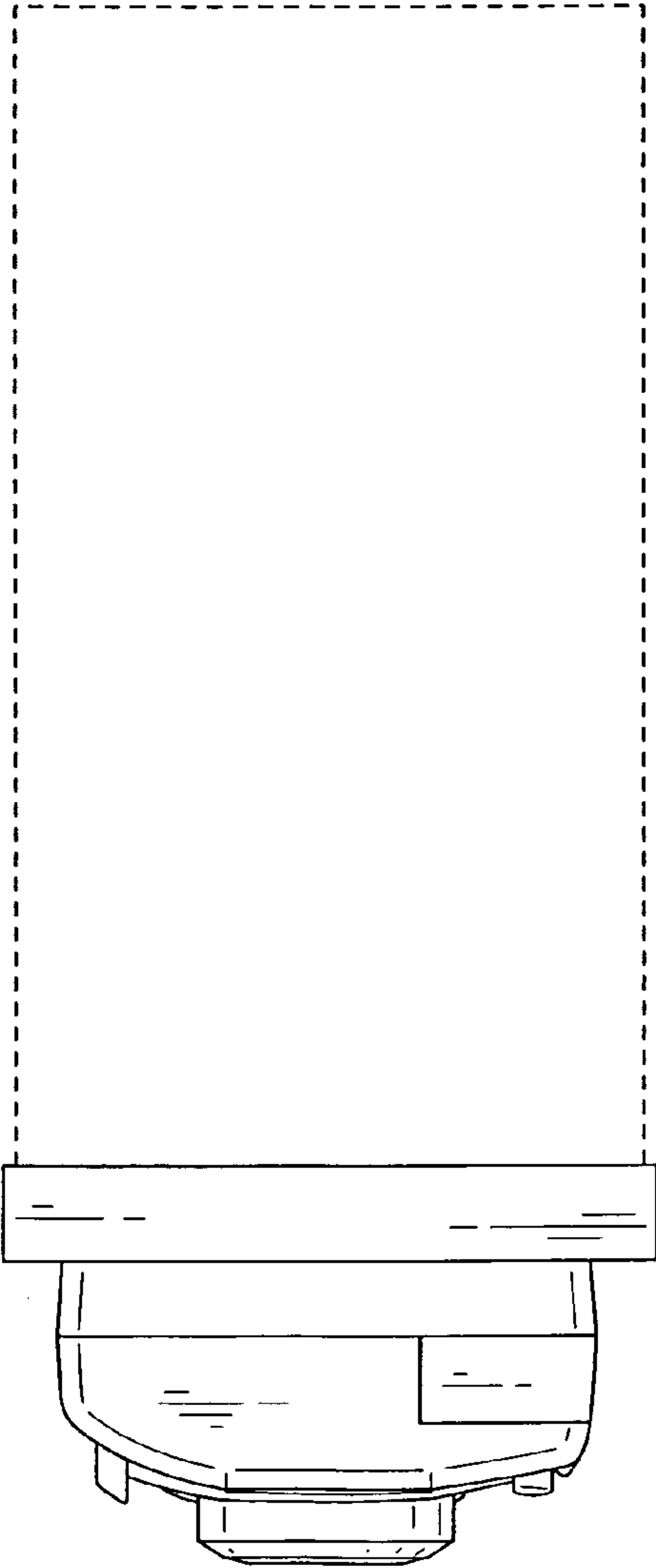


FIG. 5

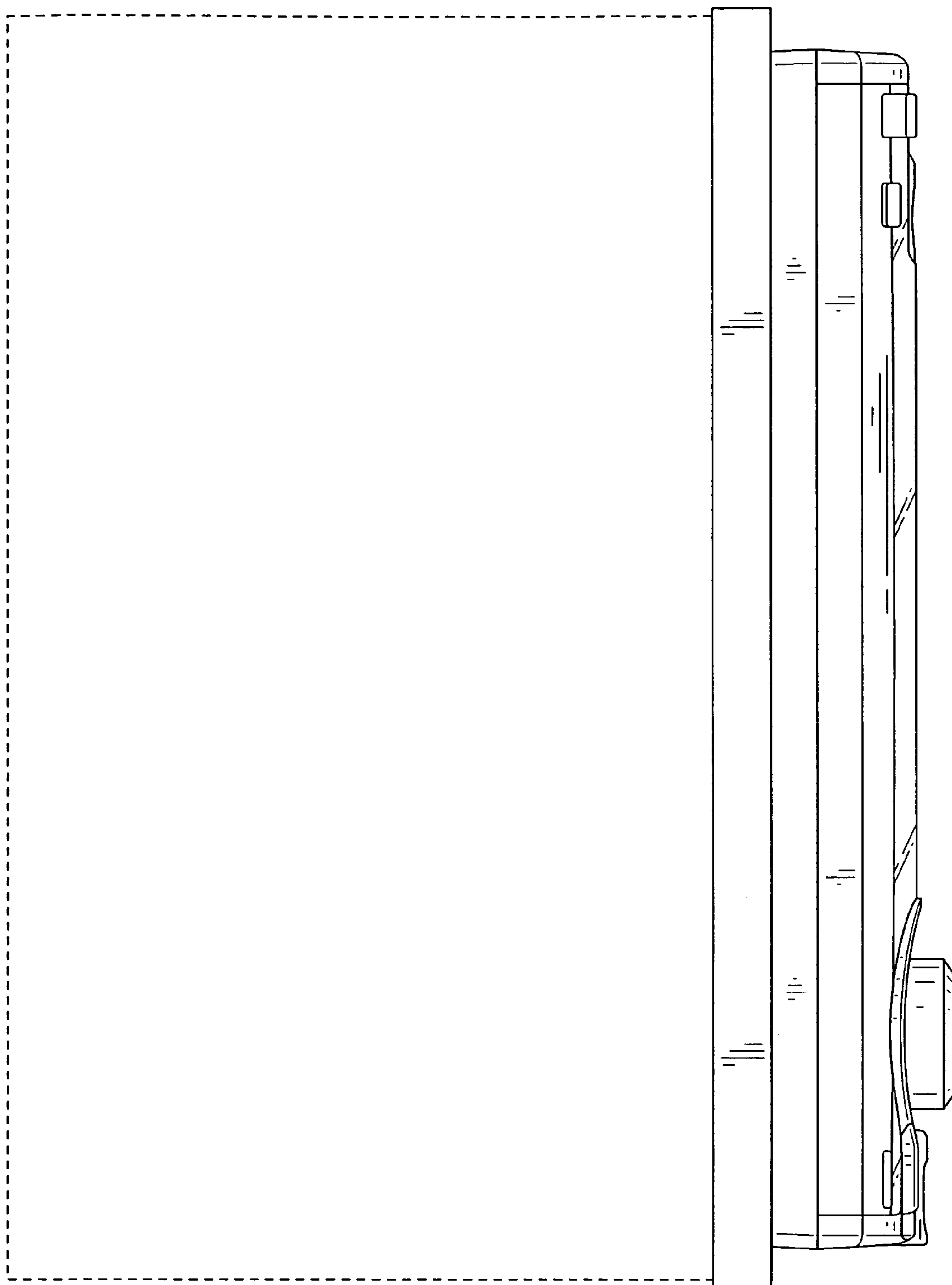


FIG. 6

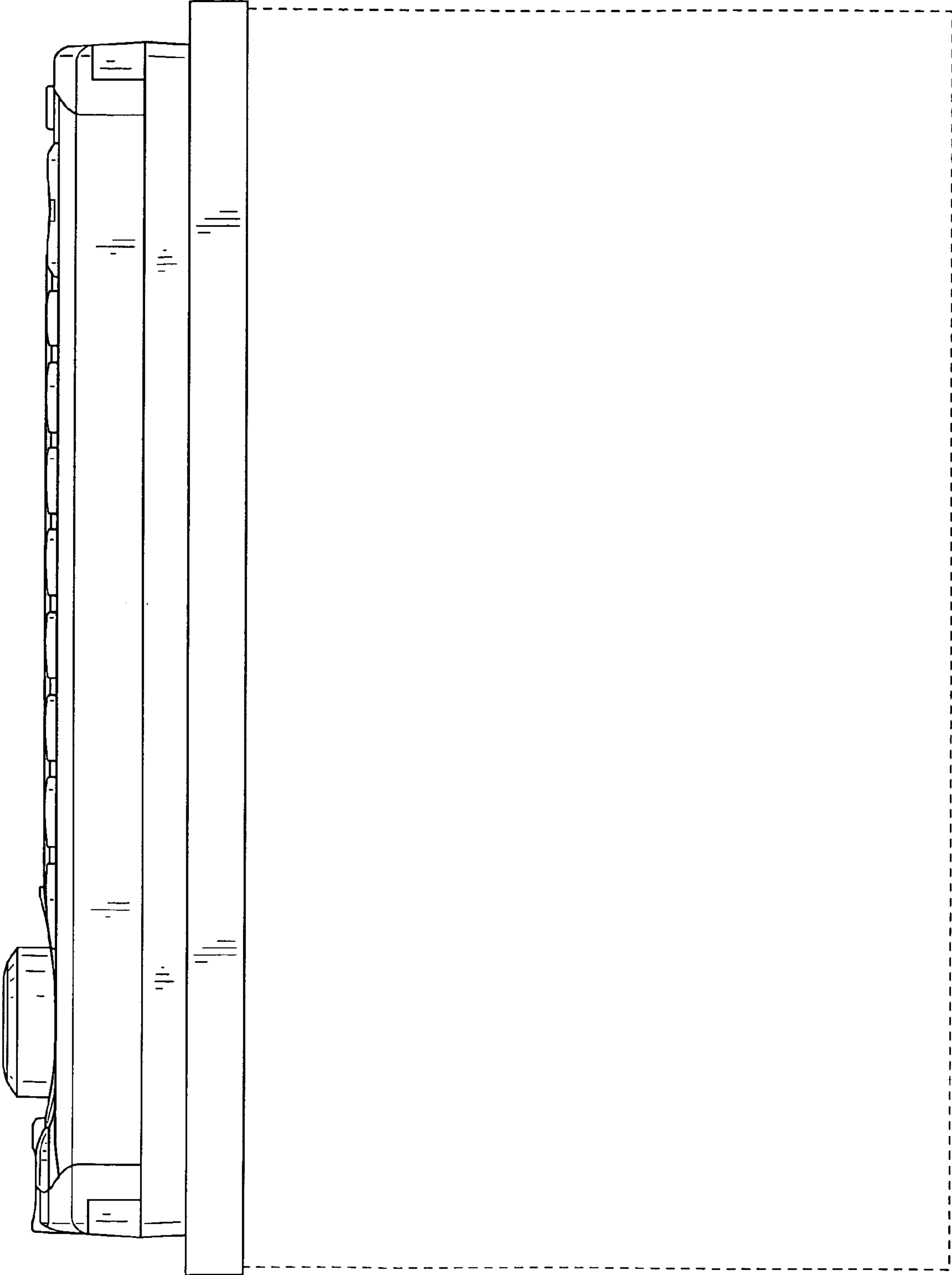


FIG. 7