



US00D582910S

(12) **United States Design Patent**  
**Ohtsuki et al.**

(10) **Patent No.:** **US D582,910 S**  
(45) **Date of Patent:** **\*\* Dec. 16, 2008**

(54) **DIGITAL AUDIO DISC PLAYER WITH RADIO TUNER FOR AUTOMOBILE**

(75) Inventors: **Shinichi Ohtsuki**, Kanagawa (JP); **Kenji Kimura**, Kanagawa (JP)

(73) Assignee: **Victor Company of Japan, Limited**, Kanagawa (JP)

(\*\*) Term: **14 Years**

(21) Appl. No.: **29/301,976**

(22) Filed: **Mar. 26, 2008**

(30) **Foreign Application Priority Data**

Sep. 28, 2007 (JP) ..... 2007-026362

(51) **LOC (8) Cl.** ..... **14-01**

(52) **U.S. Cl.** ..... **D14/258**

(58) **Field of Classification Search** ..... D14/258,  
D14/257, 224, 217, 198, 197, 188, 17, 170,  
D14/168, 167, 164, 162, 161, 160, 157, 156,  
D14/136, 135, 415, 418, 400, 195; 720/691,  
720/658, 270; 455/344, 575.1; 396/434,  
396/93; 386/1; 369/75.1; 360/47, 4; 359/550,  
359/258; 349/460, 159, 10

See application file for complete search history.

(56) **References Cited**

**U.S. PATENT DOCUMENTS**

D452,859 S \* 1/2002 Le Thellec ..... D14/258

D538,798 S \* 3/2007 Kimura et al. .... D14/258  
D544,860 S \* 6/2007 Kimura et al. .... D14/258  
D557,250 S \* 12/2007 Aguilar et al. .... D14/157  
D566,684 S \* 4/2008 Kimura et al. .... D14/156

\* cited by examiner

*Primary Examiner*—Robert M Spear

*Assistant Examiner*—Katrina A Kile

(74) *Attorney, Agent, or Firm*—Osha · Liang LLP

(57) **CLAIM**

The ornamental design for a digital audio disc player with radio tuner for automobile, as shown and described.

**DESCRIPTION**

FIG. 1 is a front, right side, perspective view of a digital audio disc player with radio tuner for automobile showing our new design;

FIG. 2 is a front view thereof;

FIG. 3 is a rear view thereof;

FIG. 4 is a left side view thereof;

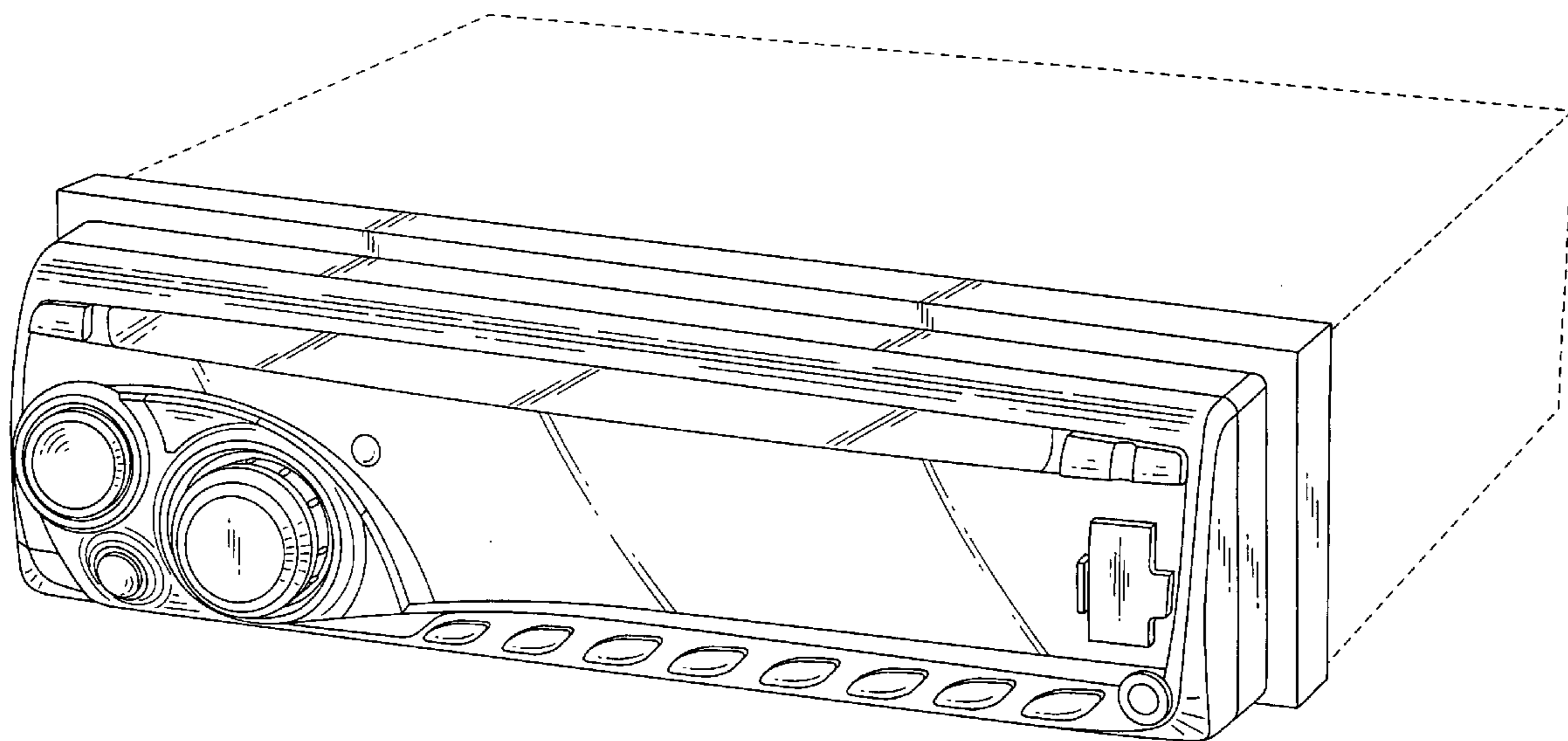
FIG. 5 is a right side view thereof;

FIG. 6 is a top plan view thereof; and,

FIG. 7 is a bottom view thereof.

The broken lines in the drawing figures represent portions of a radio that form no part of the claimed design.

**1 Claim, 5 Drawing Sheets**



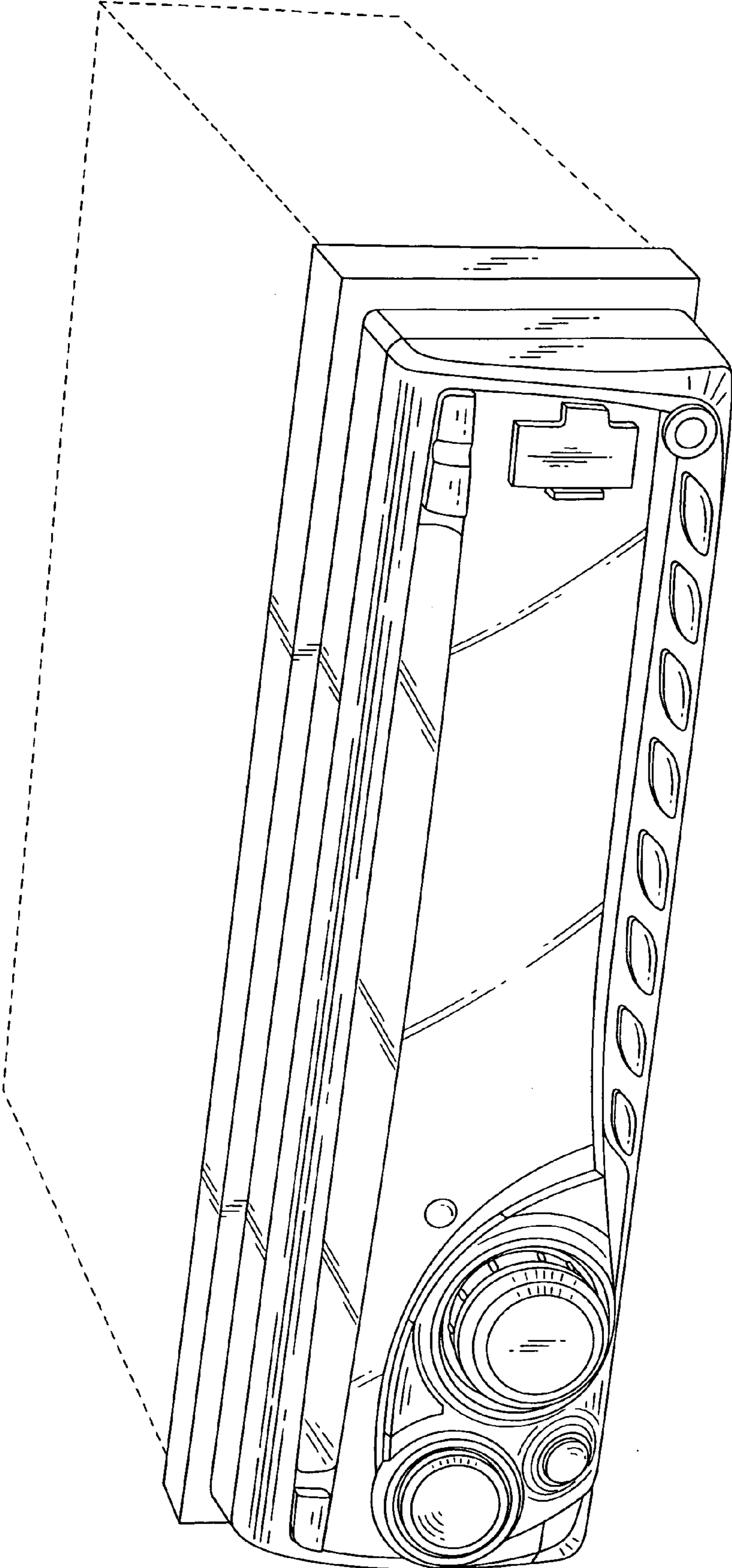


FIG. 1

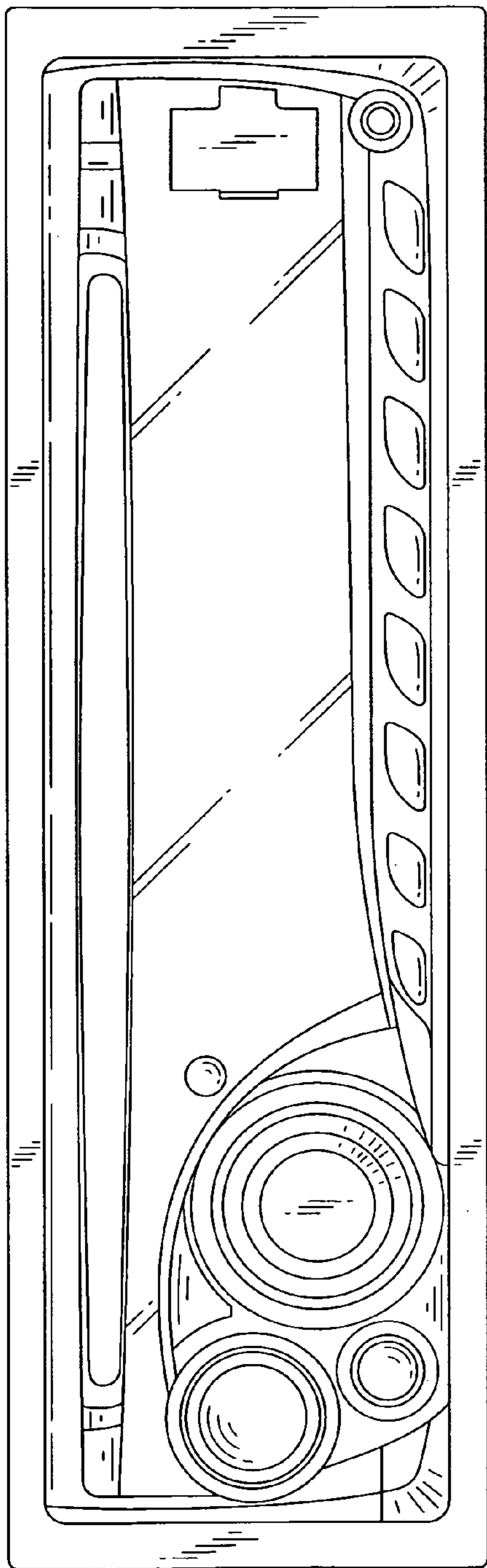


FIG. 2

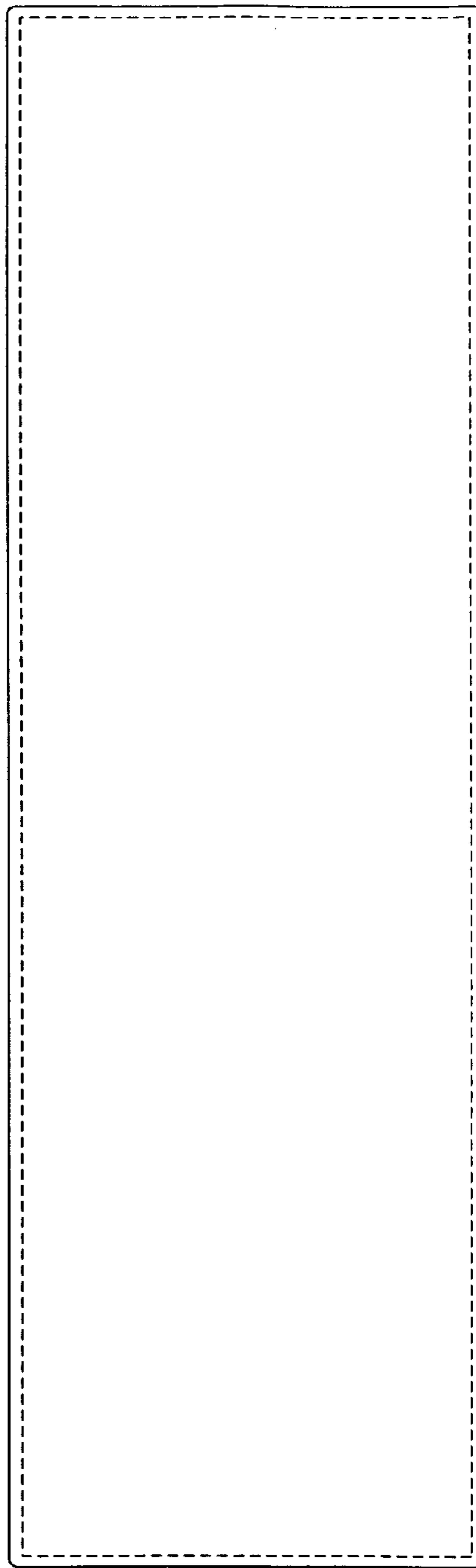


FIG. 3

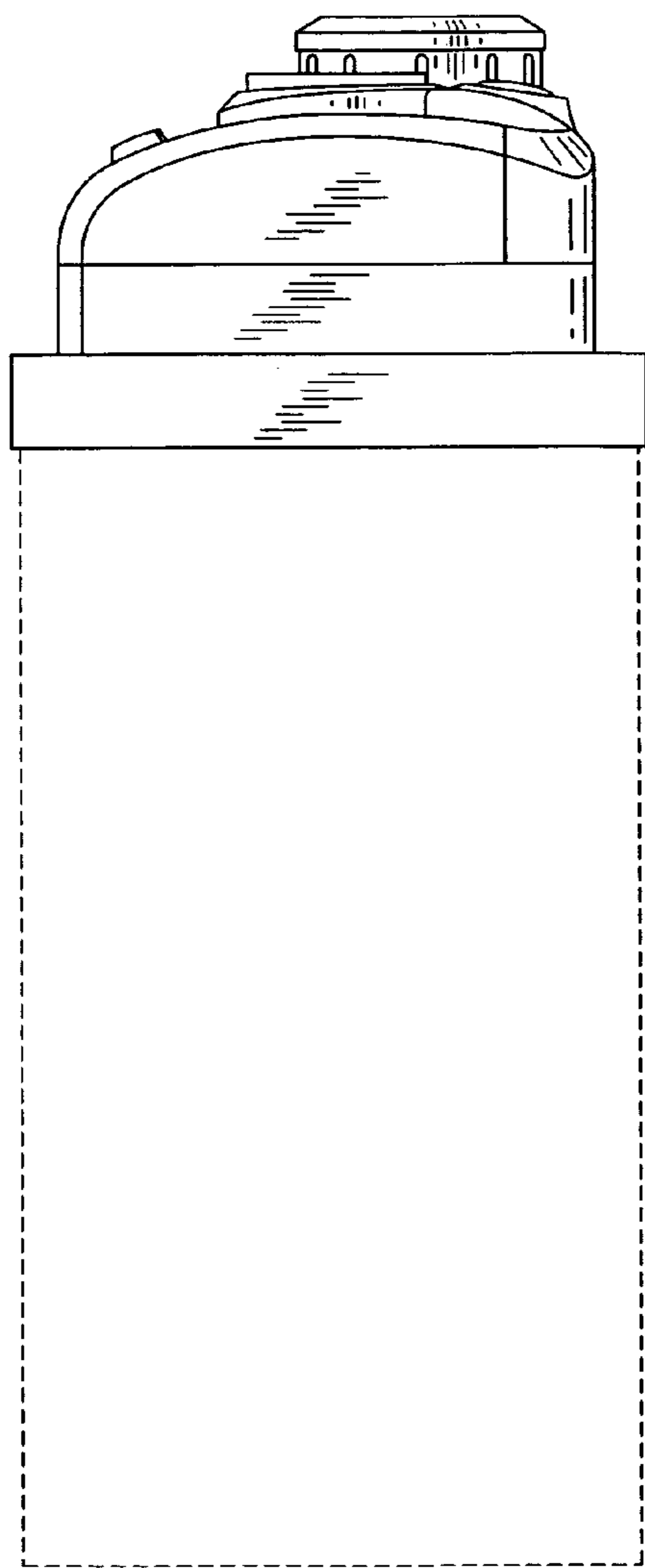


FIG. 4

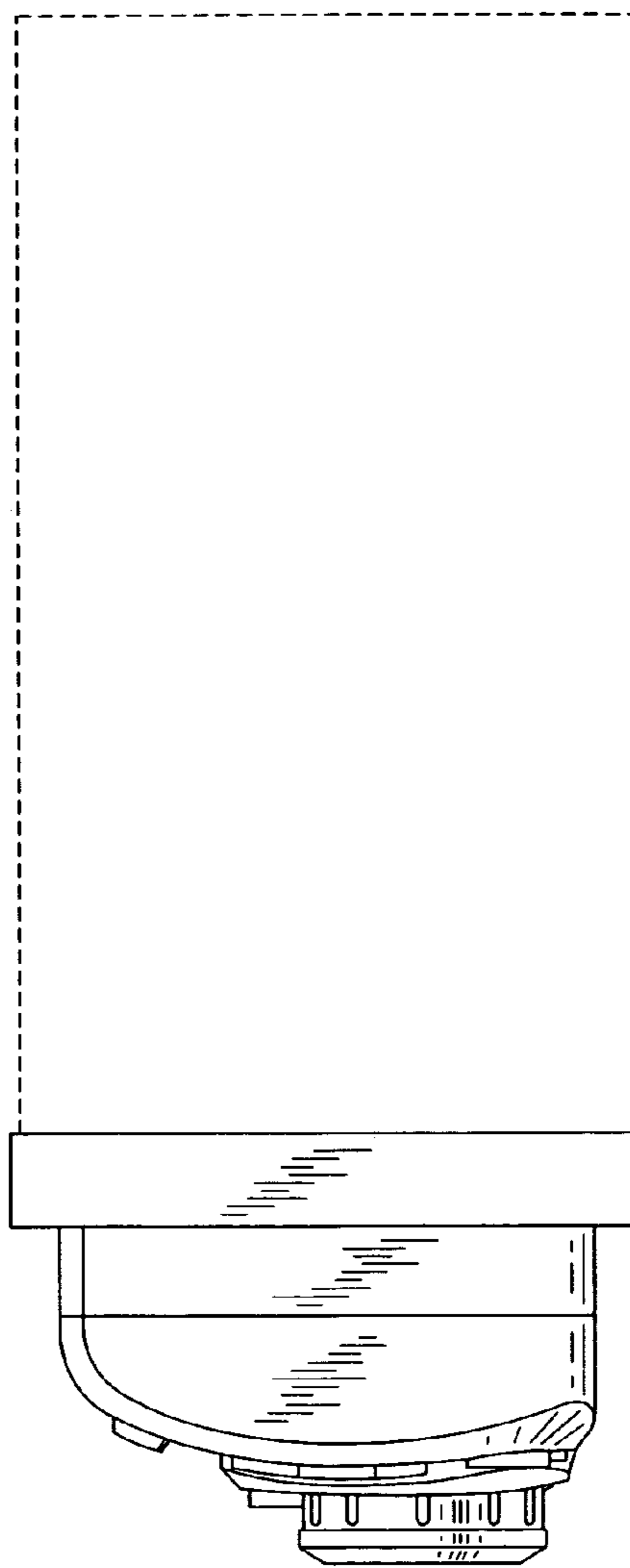


FIG. 5

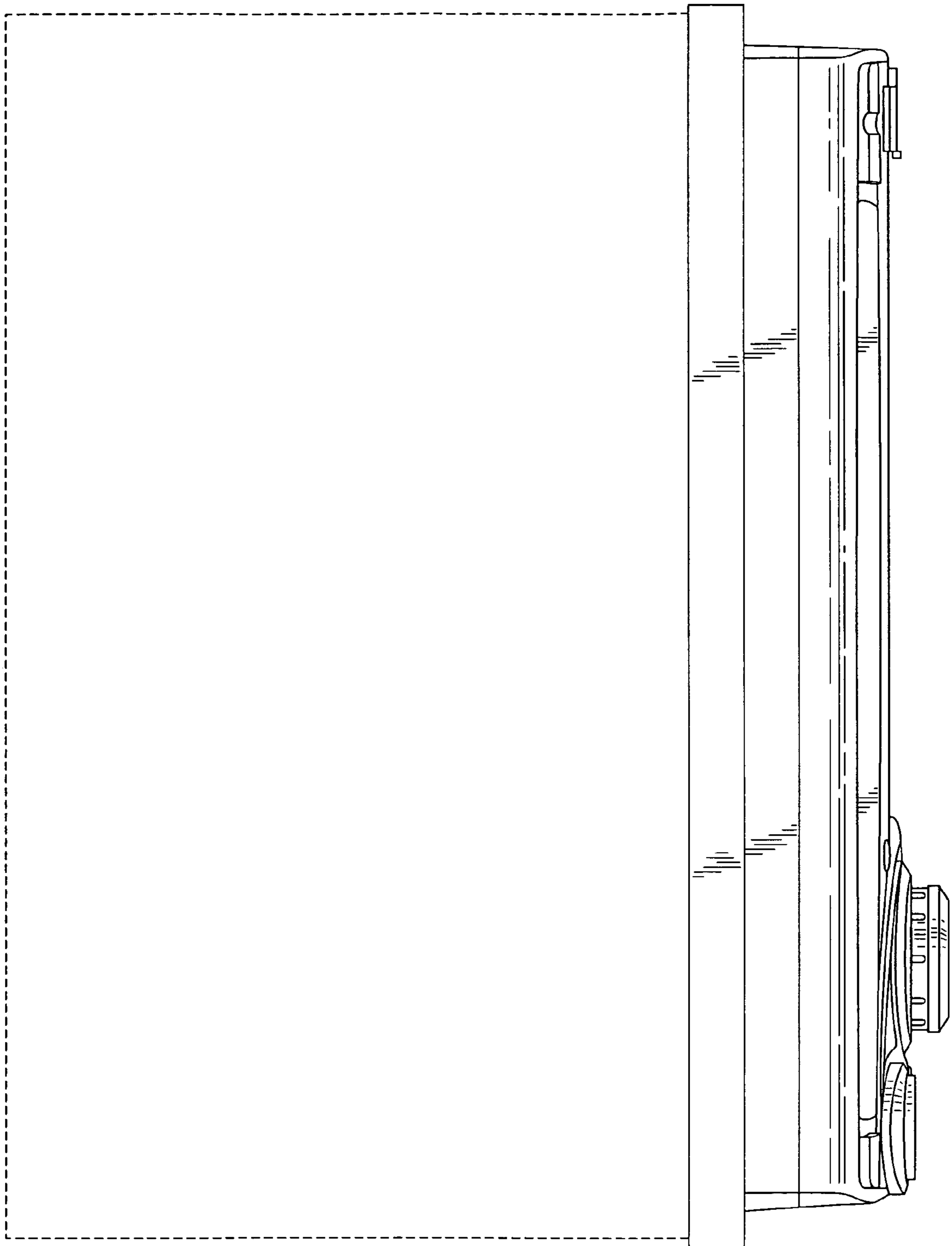


FIG. 6

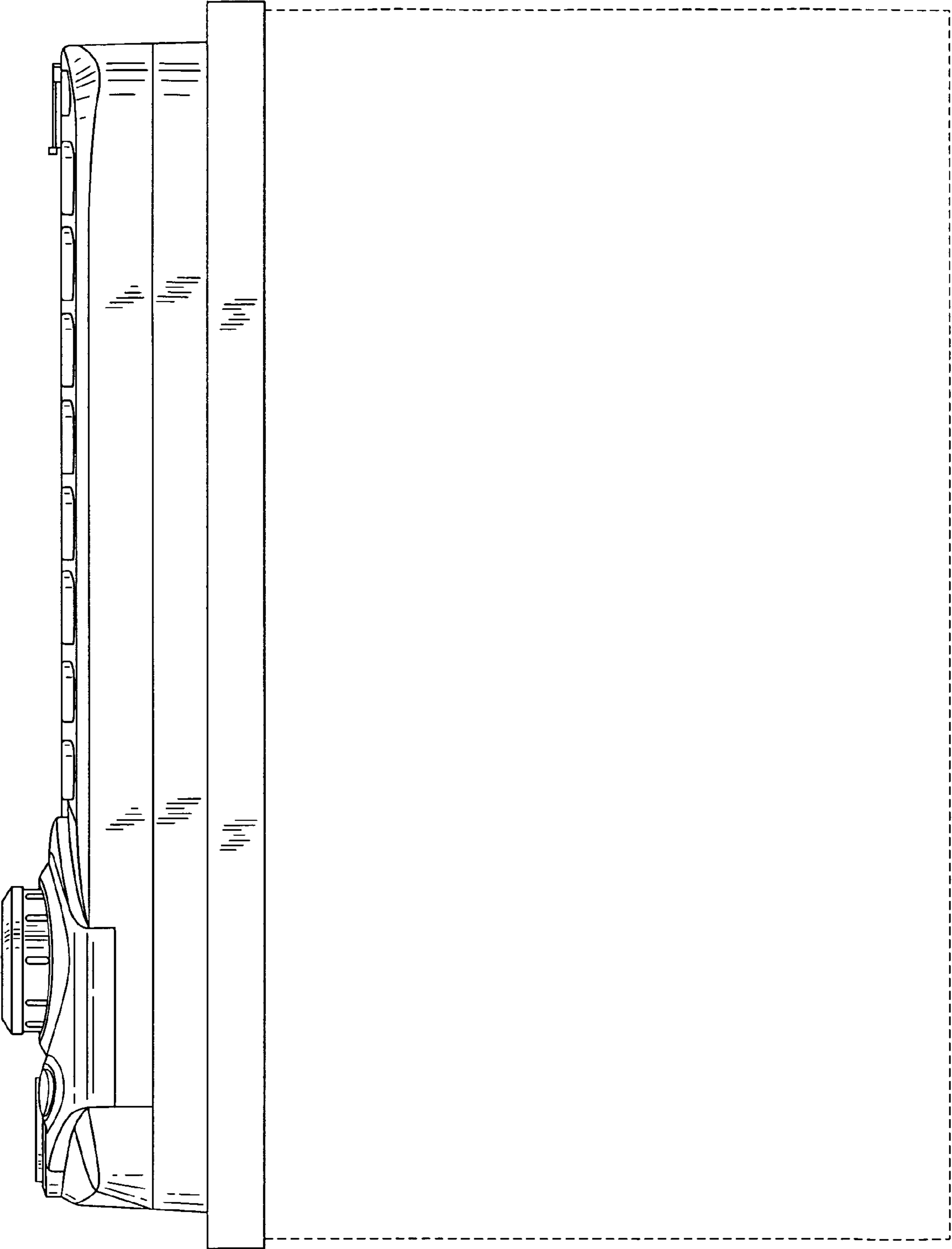


FIG. 7