



US00D582909S

(12) **United States Design Patent**
Yamamoto

(10) **Patent No.:** **US D582,909 S**
(45) **Date of Patent:** **** Dec. 16, 2008**

(54) **DIGITAL AUDIO DISC PLAYER WITH RADIO TUNER FOR AUTOMOBILE**

D495,678 S * 9/2004 Uehara D14/168
D544,860 S * 6/2007 Kimura et al. D14/258
D563,952 S * 3/2008 Yamamoto et al. D14/258

(75) Inventor: **Hiroshi Yamamoto**, Kanagawa (JP)

* cited by examiner

(73) Assignee: **Victor Company of Japan, Limited**, Kanagawa (JP)

Primary Examiner—Robert M Spear

Assistant Examiner—Katrina A Kile

(74) *Attorney, Agent, or Firm*—Osha · Liang LLP

(**) Term: **14 Years**

(21) Appl. No.: **29/288,866**

(57) **CLAIM**

(22) Filed: **Jun. 25, 2007**

The ornamental design for a digital audio disc player with radio tuner for automobile, as shown and described.

(30) **Foreign Application Priority Data**

DESCRIPTION

Dec. 26, 2006 (JP) 2006-035699

(51) **LOC (8) Cl.** **14-01**

FIG. 1 is a front, left side, perspective view of a digital audio disc player with radio tuner for automobile showing my new design;

(52) **U.S. Cl.** **D14/258**

FIG. 2 is a front view thereof;

(58) **Field of Classification Search** D14/258,
D14/257, 224, 217, 198, 197, 188, 17, 170,
D14/168, 167, 164, 162, 161, 160, 157, 156,
D14/136, 135, 415, 418, 400, 195; 720/691,
720/658, 270; 455/344, 575.1; 396/434,
396/93; 386/1; 369/75.1; 360/47, 4; 359/550,
359/258; 349/460, 159, 10

FIG. 3 is a rear view thereof;

FIG. 4 is a left side view thereof;

FIG. 5 is a right side view thereof;

FIG. 6 is a top plan view thereof;

FIG. 7 is a bottom view thereof; and,

See application file for complete search history.

FIG. 8 is a front, right side perspective view of a digital audio disc player with radio tuner for automobile in an alternate position of use.

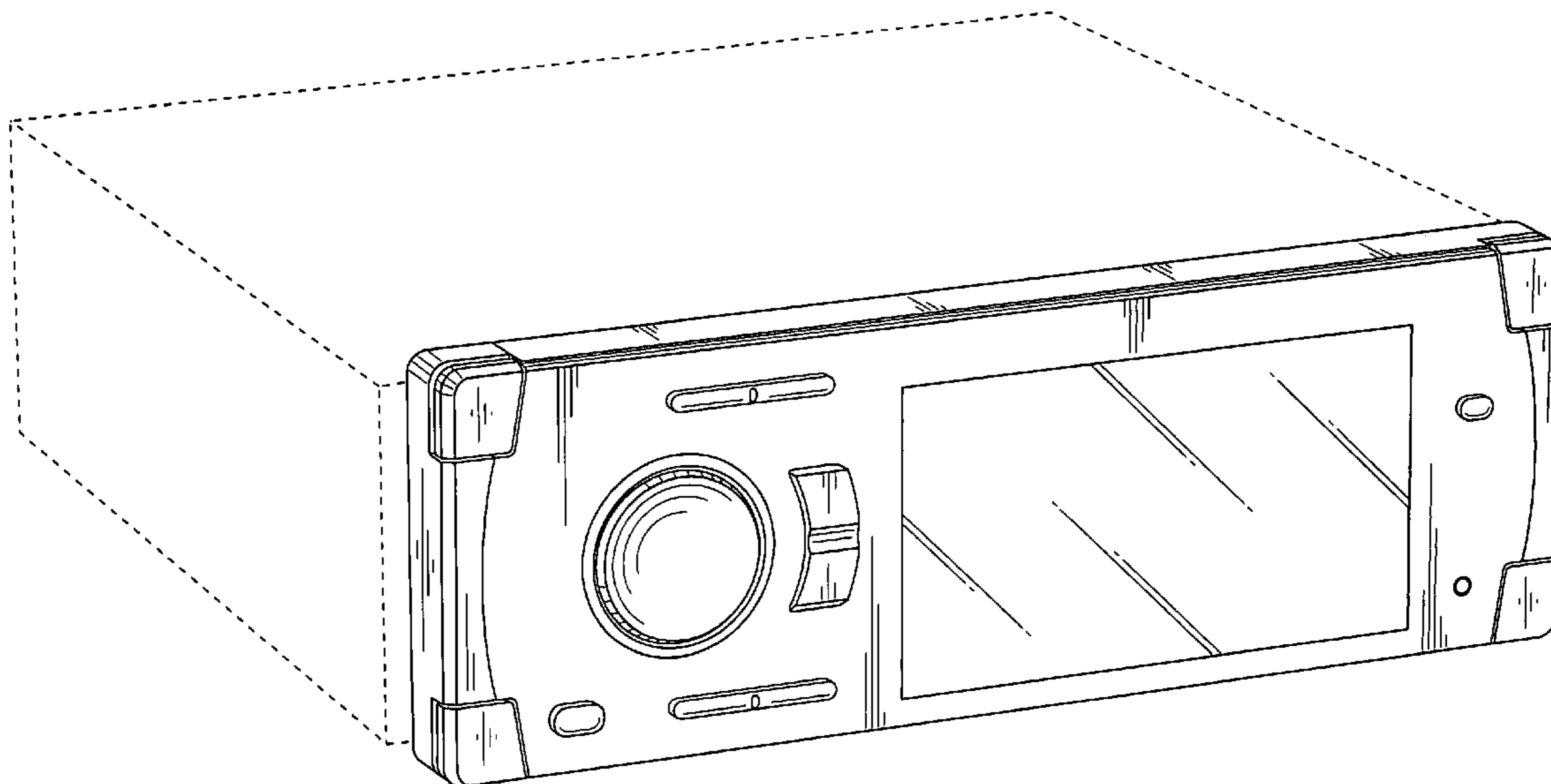
(56) **References Cited**

The broken lines in the drawing figures represent portions of a radio that form no part of the claimed design.

U.S. PATENT DOCUMENTS

D475,691 S * 6/2003 Nishii et al. D14/157
D483,731 S * 12/2003 Yoshihara D14/157
D486,134 S * 2/2004 Horii et al. D14/157

1 Claim, 6 Drawing Sheets



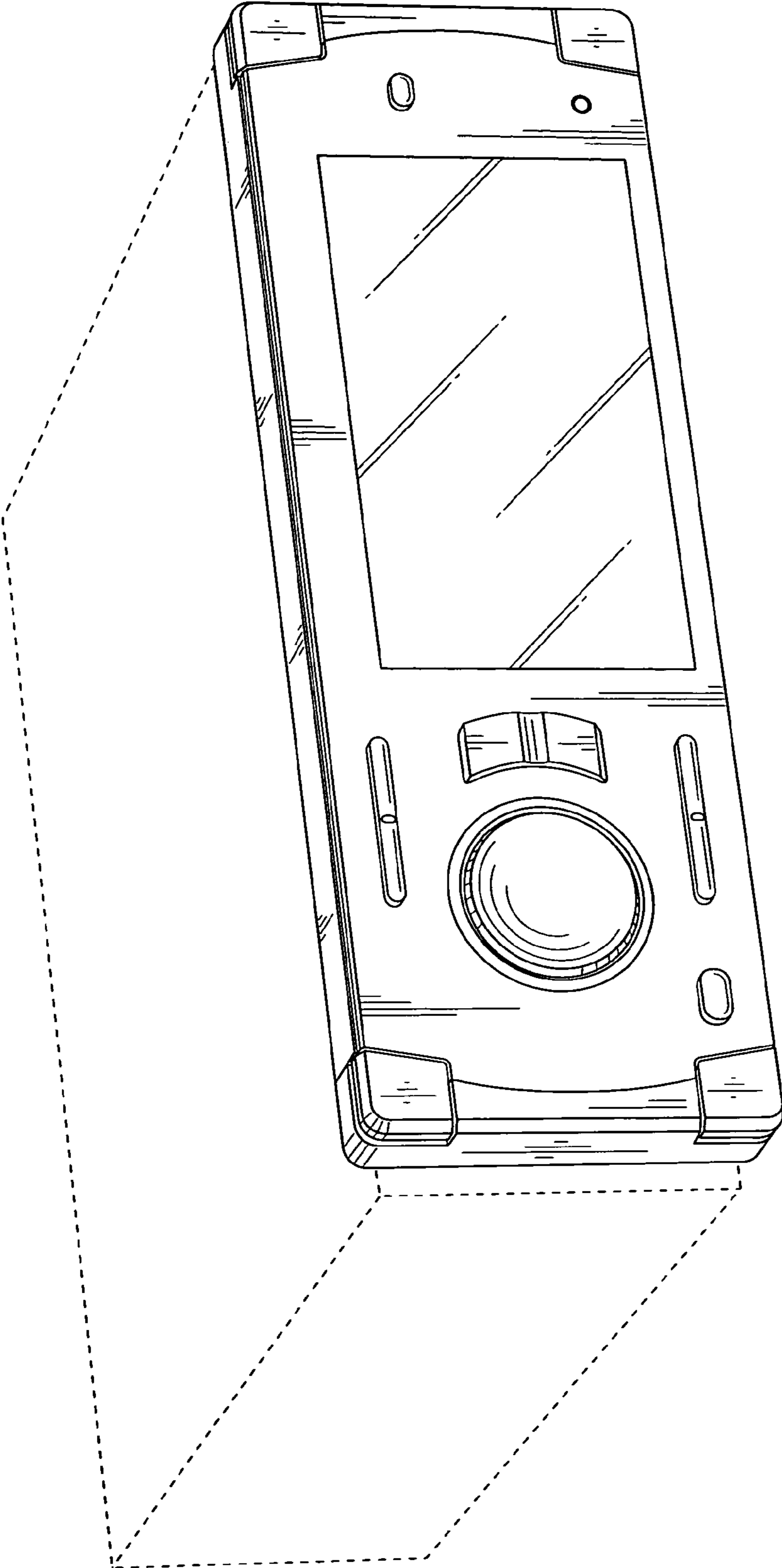


FIG. 1

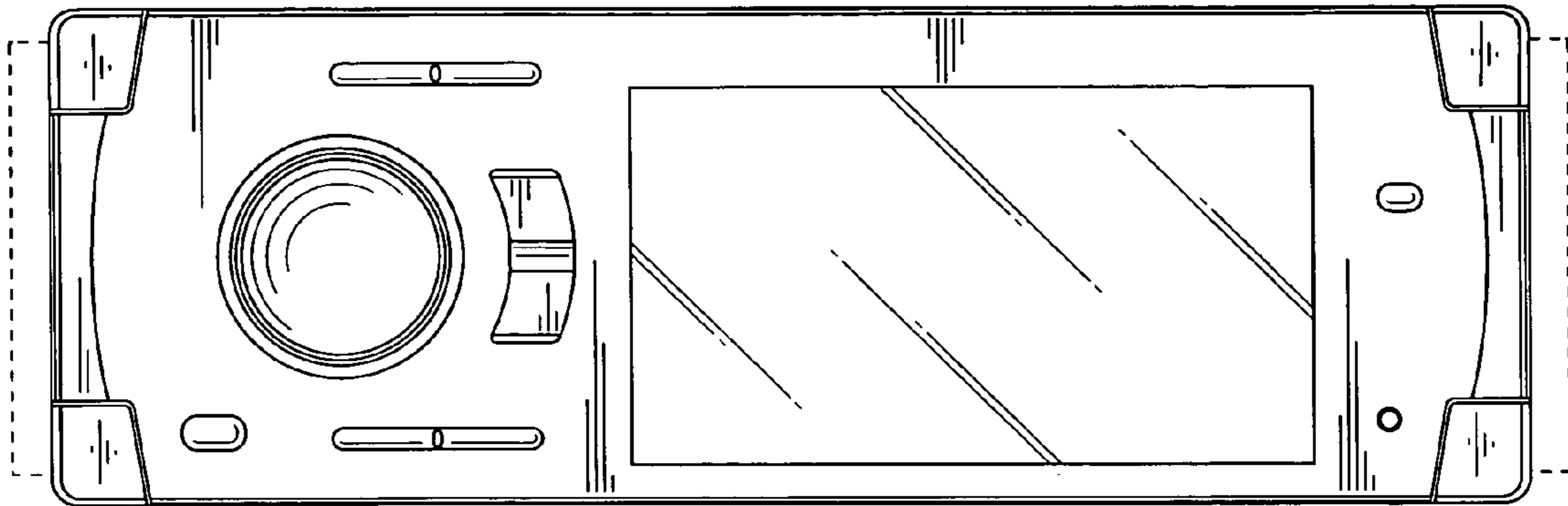


FIG. 2

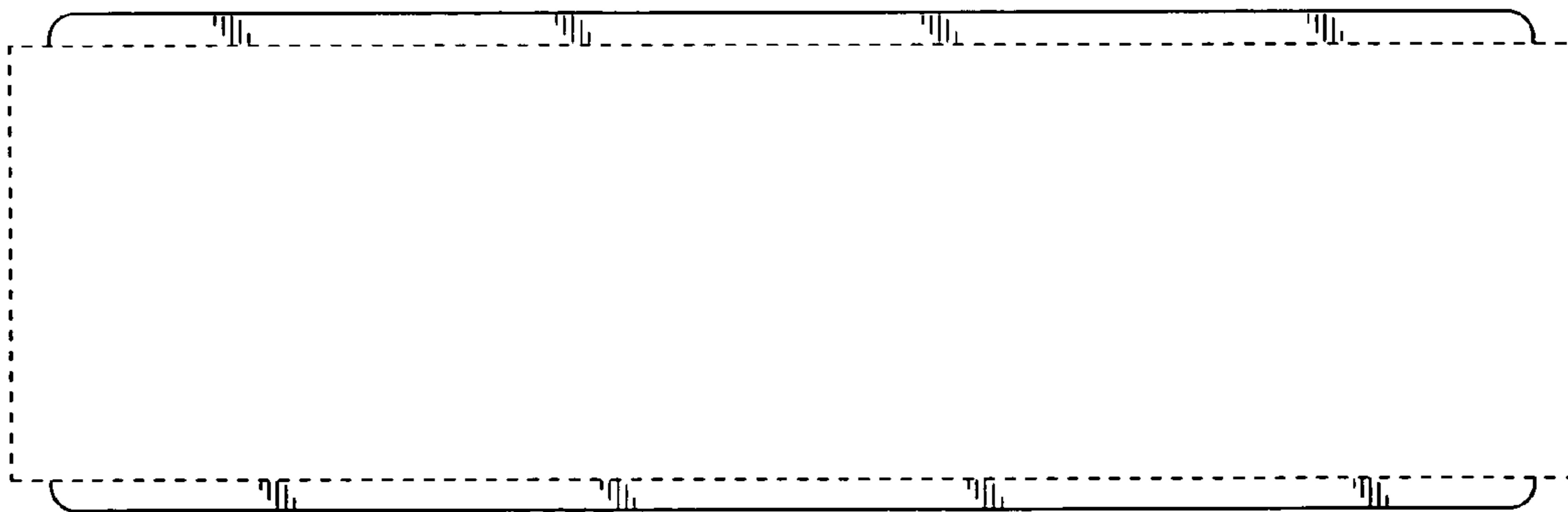


FIG. 3

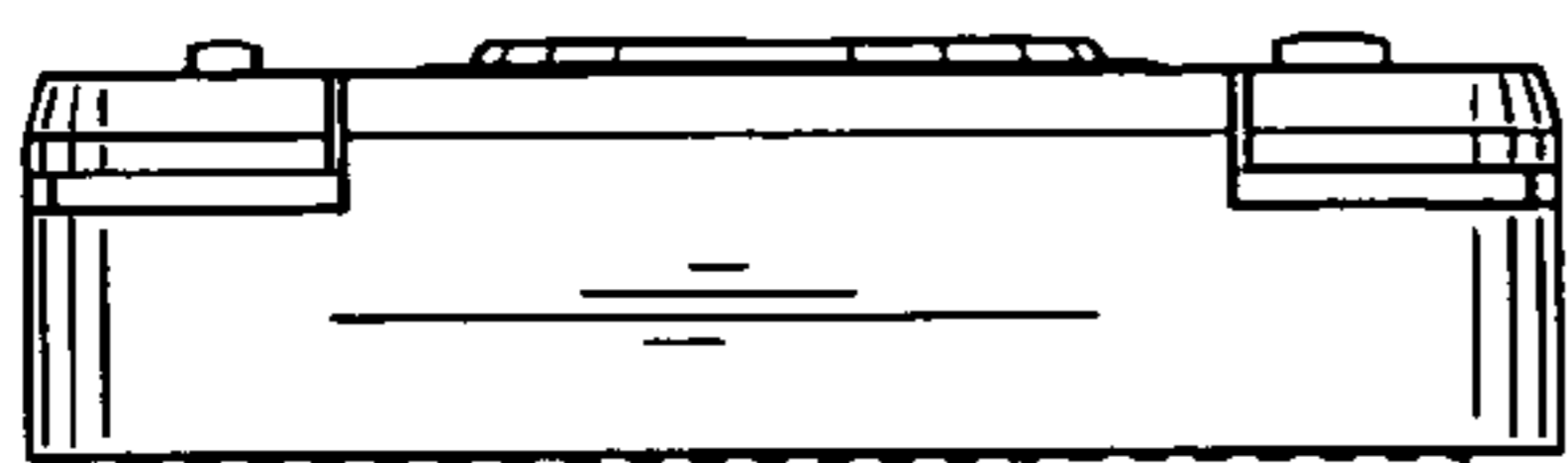


FIG. 4

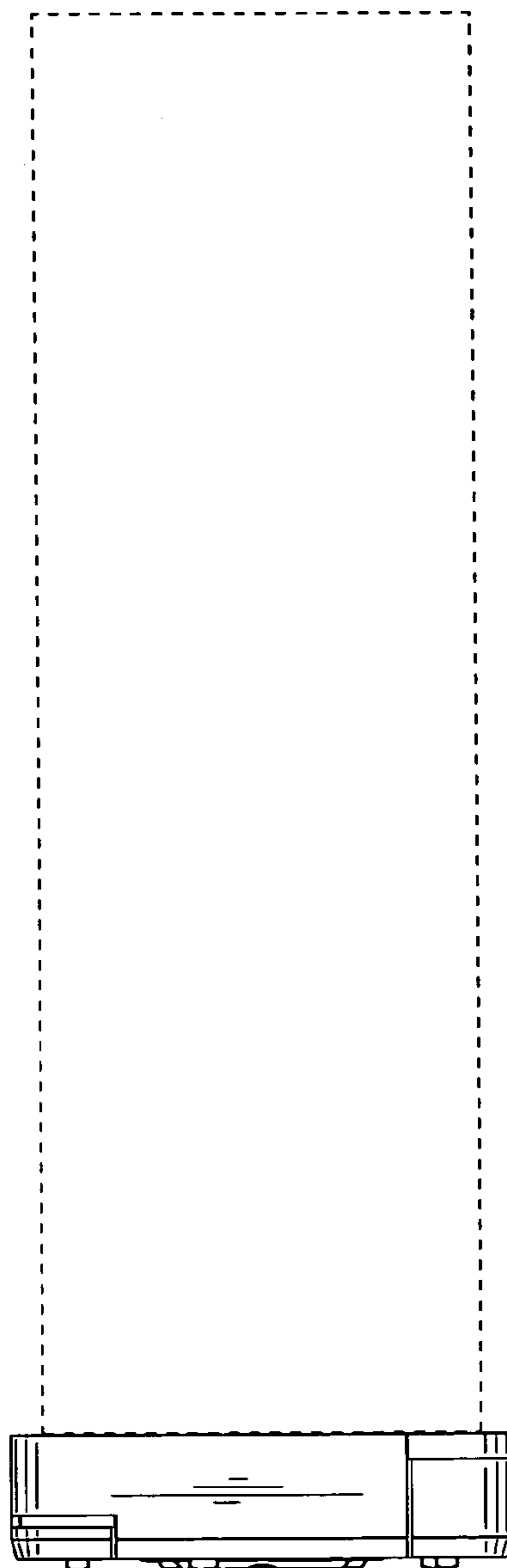


FIG. 5

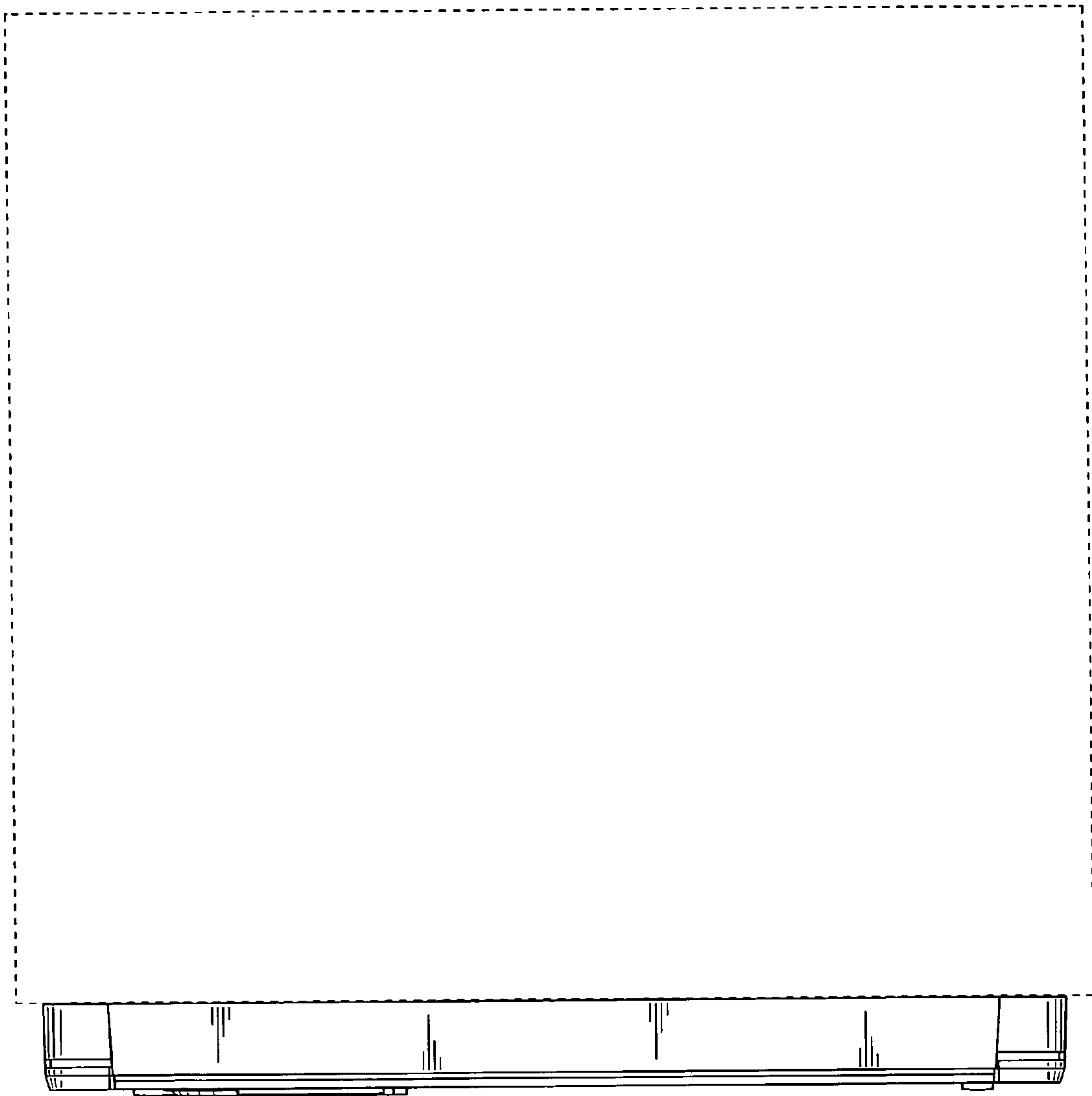


FIG. 6

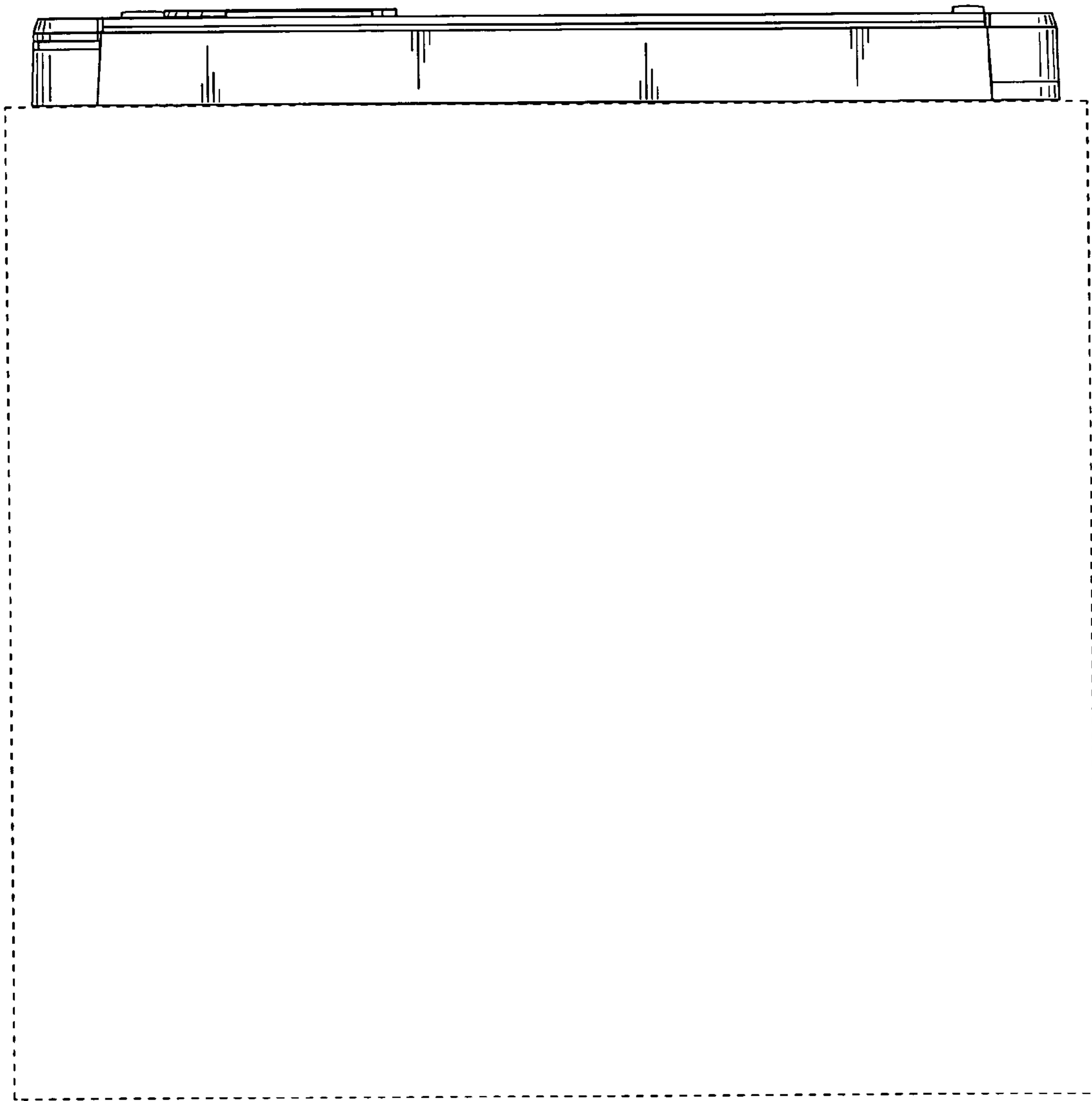


FIG. 7

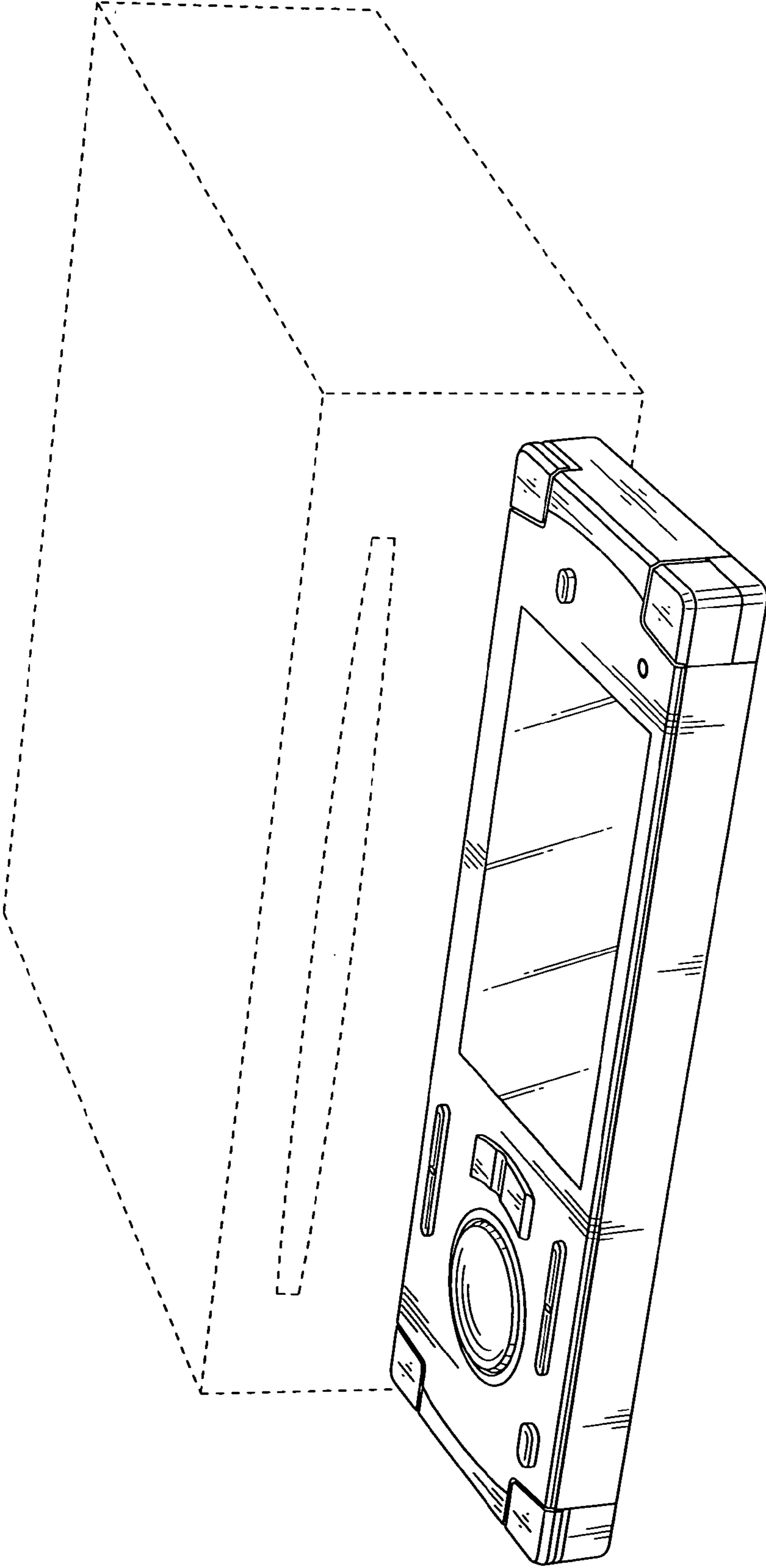


FIG. 8