

US00D582907S

(12) **United States Design Patent**
Wolf

(10) **Patent No.:** **US D582,907 S**
(45) **Date of Patent:** **** Dec. 16, 2008**

(54) **PORTION OF A COMMUNICATION DEVICE**

(75) Inventor: **Monika R. Wolf**, Parkland, FL (US)

(73) Assignee: **Motorola, Inc.**, Schaumburg, IL (US)

(**) Term: **14 Years**

(21) Appl. No.: **29/246,847**

(22) Filed: **May 15, 2006**

(51) **LOC (8) Cl.** **14-03**

(52) **U.S. Cl.** **D14/248**

(58) **Field of Classification Search** D14/137,
D14/138, 147, 218, 247-248, 253, 341-347,
D14/496, 191; D3/218; 455/90.3, 556.1,
455/556.2, 575.1, 575.3, 575.4, 566; 379/433.01-433.13;
361/814; 348/14.02; D10/65, 78, 104; D13/168;
D18/7; 345/169

See application file for complete search history.

(56) **References Cited**

U.S. PATENT DOCUMENTS

D419,990 S *	2/2000	Park	D14/138
D424,557 S *	5/2000	Nagele et al.	D14/138
D429,707 S *	8/2000	Park	D14/138
D436,948 S *	1/2001	Carlson et al.	D14/240
D451,485 S *	12/2001	Moss	D14/138
D455,414 S *	4/2002	Lee et al.	D14/138
D457,308 S *	5/2002	Infanti	D3/218
D467,912 S *	12/2002	Lai et al.	D14/248
D486,462 S *	2/2004	Lim	D14/138
D488,805 S *	4/2004	Arnholt et al.	D14/248
D489,699 S *	5/2004	Hwang et al.	D14/138
D491,908 S *	6/2004	Son	D14/138
D499,722 S *	12/2004	Widiaman	D14/248
D502,174 S *	2/2005	Mehandjiysky	D14/248
D505,933 S *	6/2005	Lodato et al.	D14/138
D506,738 S *	6/2005	Kim et al.	D14/138
D507,553 S *	7/2005	Gotou et al.	D14/138
D508,032 S *	8/2005	Kim et al.	D14/138
D508,033 S *	8/2005	Kim et al.	D14/138
D510,080 S *	9/2005	Kim et al.	D14/138
D511,336 S *	11/2005	Kim et al.	D14/138
D512,040 S *	11/2005	Kim et al.	D14/138
D512,394 S *	12/2005	Kim et al.	D14/138
D512,397 S *	12/2005	Choi et al.	D14/138

D515,061 S *	2/2006	Kim et al.	D14/138
D517,310 S *	3/2006	Aron et al.	D3/218
D518,463 S *	4/2006	Tan et al.	D14/138
D518,466 S *	4/2006	Kim et al.	D14/138
D519,096 S *	4/2006	Kanaoka et al.	D14/138
D519,484 S *	4/2006	Wolf et al.	D14/138
D519,485 S *	4/2006	Baik et al.	D14/138
D519,965 S *	5/2006	Lodato et al.	D14/138
D536,685 S *	2/2007	Feng et al.	D14/138
D537,439 S *	2/2007	Helin	D14/248
D542,759 S *	5/2007	Kim et al.	D14/138
D558,708 S *	1/2008	Wolf et al.	D14/138
D558,709 S *	1/2008	Nilsen et al.	D14/138
2007/0121256 A1 *	5/2007	Wolf et al.	361/1

OTHER PUBLICATIONS

Samsung S500i, announced 4th quarter 2005, [online], [retrieved on Jul. 6, 2007]. Retrieved from Internet ,<URL: <http://www.gsmarena.com>>.*

Samsung Z310, announced Feb. 2006, [online], [retrieved on Jul. 6, 2007]. Retrieved from Internet ,<URL: <http://www.gsmarena.com>>.*

* cited by examiner

Primary Examiner—Jeffrey D. Asch

Assistant Examiner—Bridget L Eland

(57) **CLAIM**

The ornamental design for a portion of a communication device, as shown and described.

DESCRIPTION

FIG. 1 is an isometric view of an ornamental design for a portion of a communication device showing my new design;

FIG. 2 is a front orthographic view thereof;

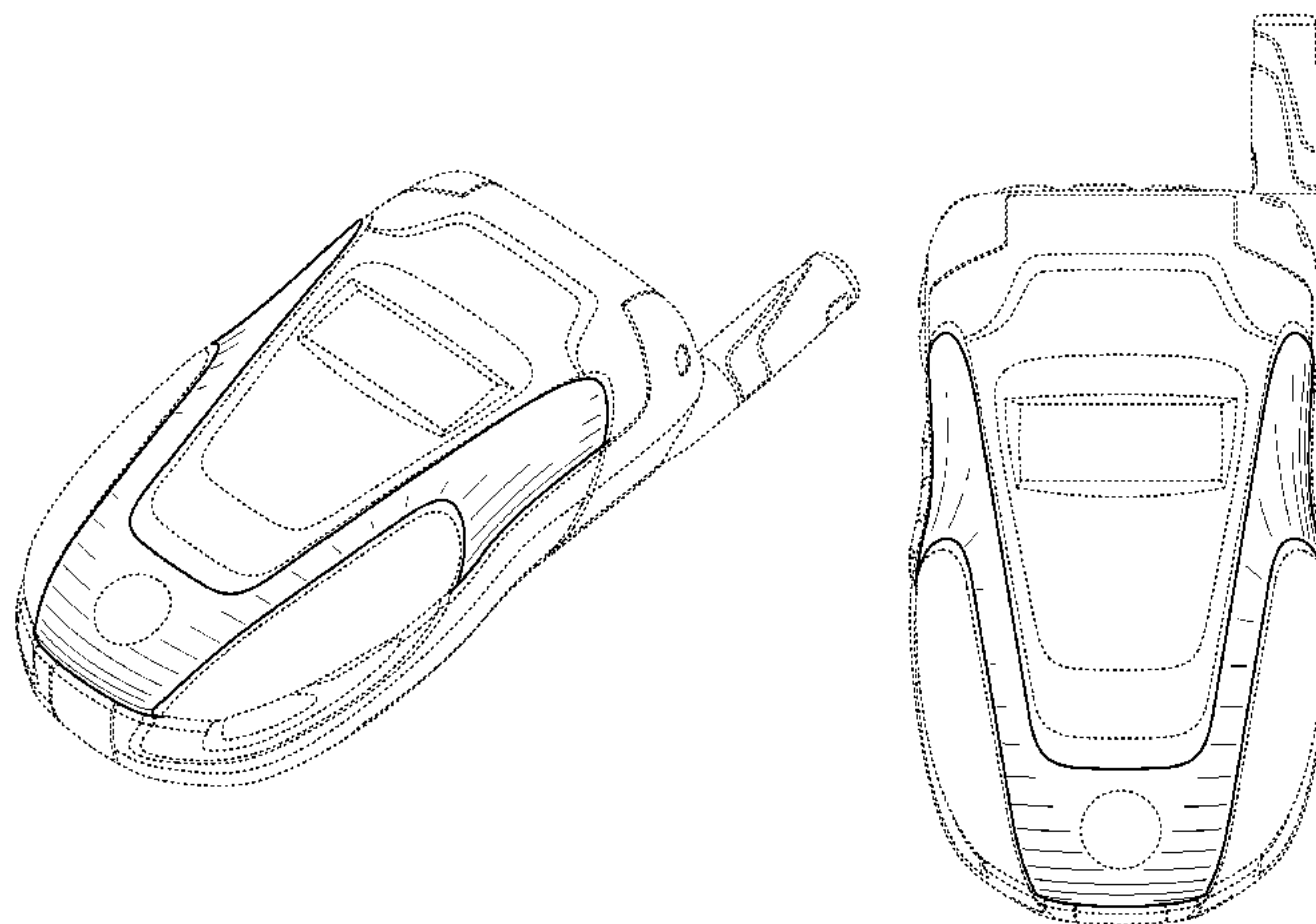
FIG. 3 is a right side orthographic view thereof;

FIG. 4 is a left side orthographic view thereof; and,

FIG. 5 is a bottom orthographic view thereof.

The broken lines shown in FIGS. 1-5 and the areas in which surface shading is omitted represent environmental subject matter and form no part of the claimed design. The top and rear views are omitted and form no part of the claimed design.

1 Claim, 3 Drawing Sheets



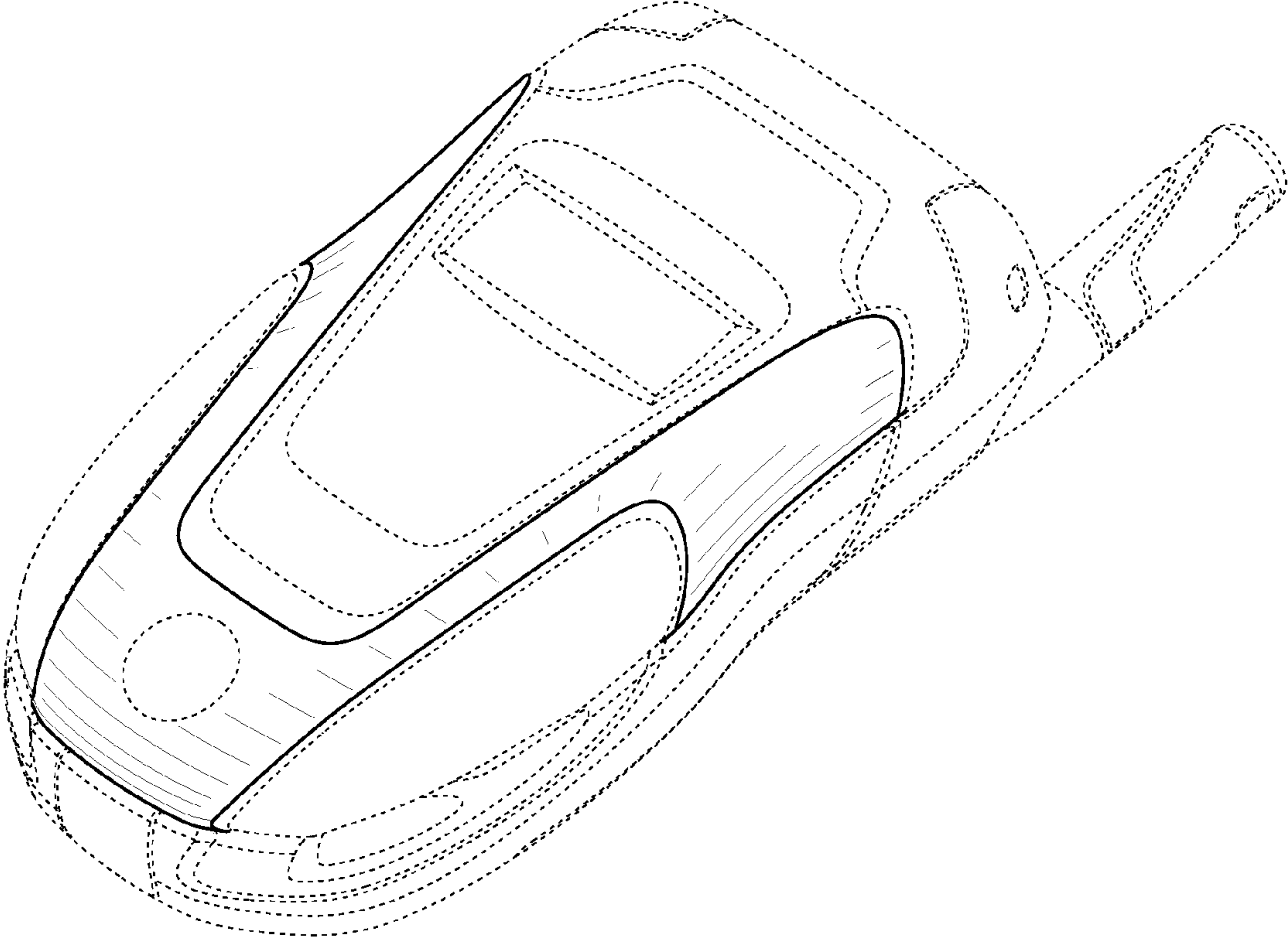


FIG. 1

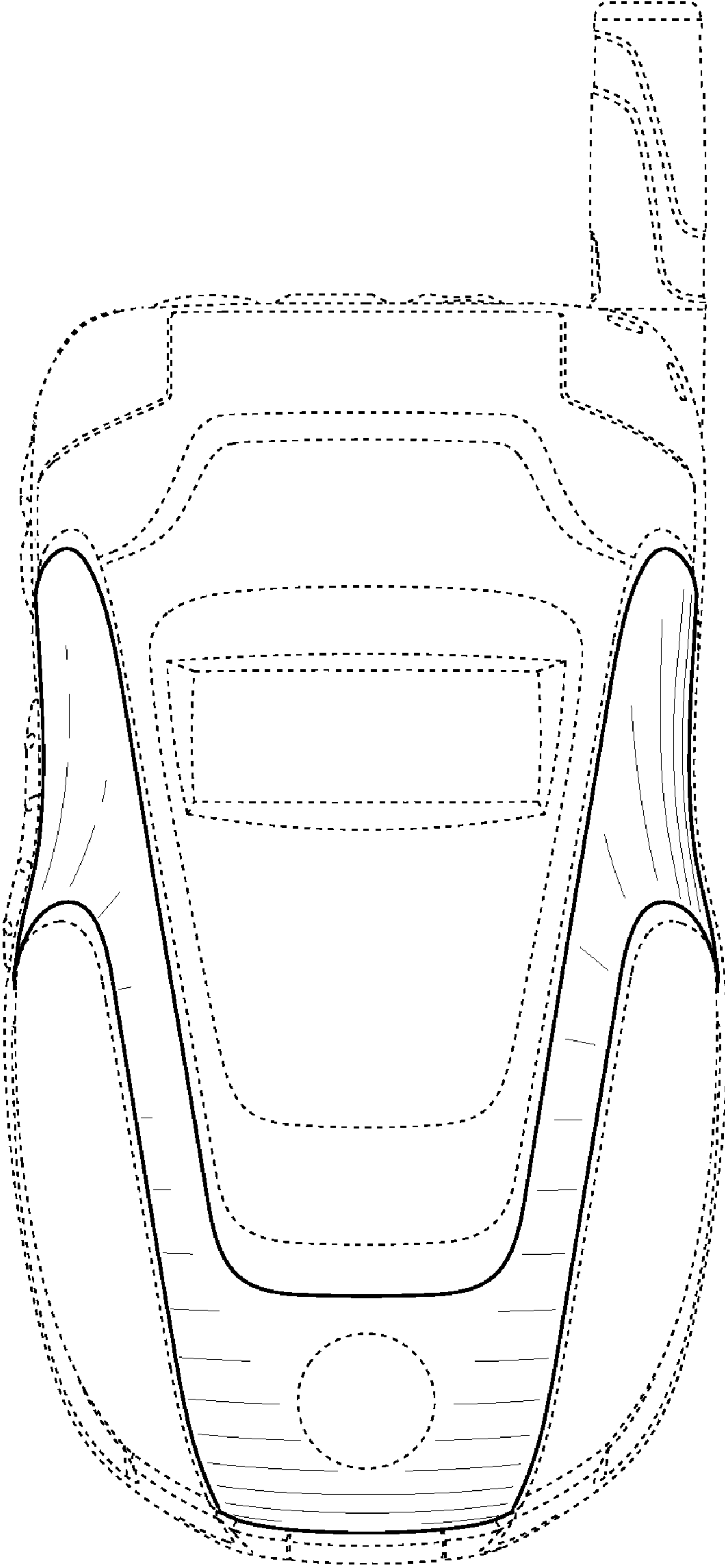


FIG. 2

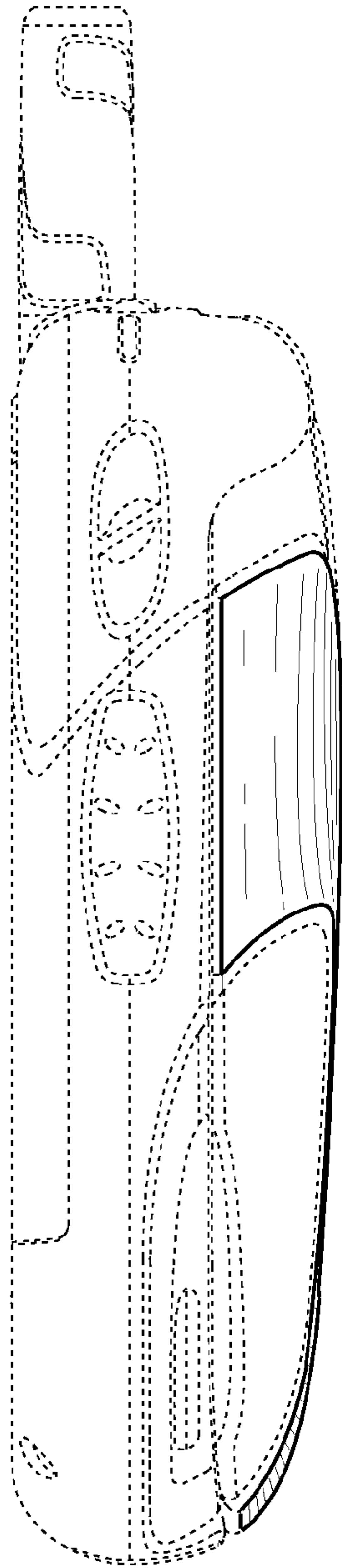


FIG. 3

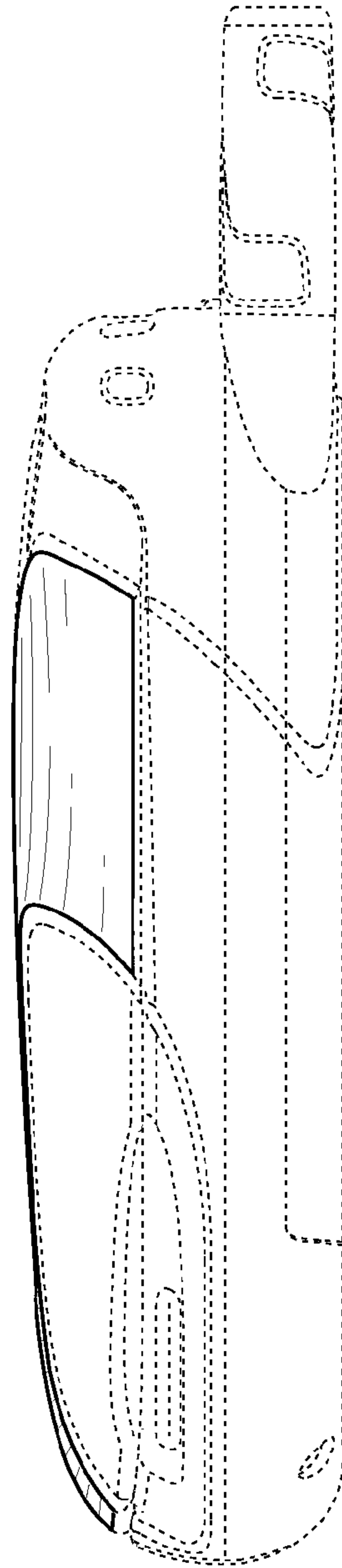


FIG. 4

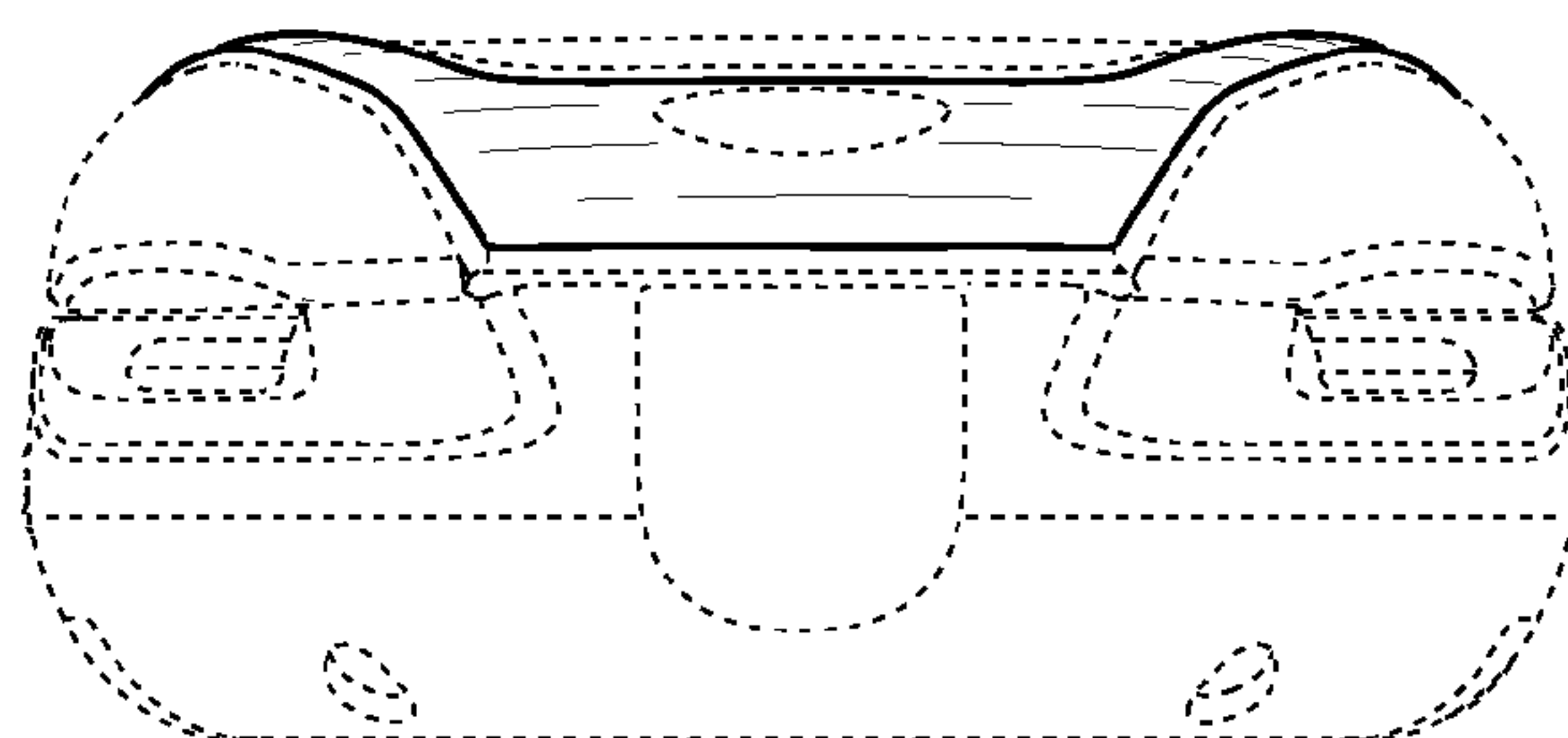


FIG. 5