



US00D582905S

(12) **United States Design Patent**
Takisawa et al.

(10) **Patent No.:** **US D582,905 S**

(45) **Date of Patent:** **** Dec. 16, 2008**

(54) **ANTENNA**

(75) Inventors: **Hisashi Takisawa**, Katagami (JP);
Toshiaki Aizawa, Katagami (JP);
Junichi Noro, Katagami (JP); **Takao**
Kato, Katagami (JP)

(73) Assignee: **Mitsumi Electric Co., Ltd.**, Tokyo (JP)

(**) Term: **14 Years**

(21) Appl. No.: **29/317,662**

(22) Filed: **May 5, 2008**

(30) **Foreign Application Priority Data**

Nov. 6, 2007 (JP) 2007-030598

(51) **LOC (8) Cl.** **14-03**

(52) **U.S. Cl.** **D14/230**

(58) **Field of Classification Search** D14/230–238,
D14/299, 358; 343/700 R–705, 840, 841,
343/908, 873, 700 MS; 455/3.02, FOR. 215,
455/575.2

See application file for complete search history.

(56) **References Cited**

U.S. PATENT DOCUMENTS

5,585,806 A * 12/1996 Ogino et al. 343/700 MS
6,278,369 B2 * 8/2001 Smith et al. 340/572.7
6,346,919 B1 * 2/2002 Wang et al. 343/767
D481,029 S * 10/2003 Noro D14/230
6,883,227 B2 * 4/2005 Lebaric et al. 29/600
6,888,503 B2 * 5/2005 Shikata 343/700 MS
6,975,272 B2 * 12/2005 Yuanzhu 343/700 MS
D515,075 S * 2/2006 Kusanagi et al. D14/230
D515,076 S * 2/2006 Kusanagi et al. D14/230
7,042,399 B2 * 5/2006 Noro et al. 343/700 MS

7,049,966 B2 * 5/2006 Carrender 340/572.7
D531,172 S * 10/2006 Noro et al. D14/230
D531,173 S * 10/2006 Aizawa et al. D14/230
D531,995 S * 11/2006 Shinkawa et al. D14/230
7,327,328 B2 * 2/2008 Yoneya et al. 343/841
2003/0103014 A1 * 6/2003 Birnbaum et al. 343/841
2004/0257281 A1 * 12/2004 Noro et al. 343/700 MS
2005/0030230 A1 * 2/2005 Otaka et al. 343/700 MS
2006/0071856 A1 * 4/2006 Shinkai et al. 343/700 MS
2007/0176843 A1 * 8/2007 Qureshi et al. 343/873
2007/0182647 A1 * 8/2007 Li et al.
2007/0229370 A1 * 10/2007 Tan et al. 343/702
2008/0007469 A1 * 1/2008 Hung et al. 343/702
2008/0074332 A1 * 3/2008 Arronte et al. 343/702

* cited by examiner

Primary Examiner—Robert M Spear

Assistant Examiner—John Windmuller

(74) *Attorney, Agent, or Firm*—Sughrue Mion, PLLC

(57) **CLAIM**

The ornamental design for an antenna, as shown and described.

DESCRIPTION

FIG. 1 is a top perspective view of the antenna according to the present invention;

FIG. 2 is a first end view thereof;

FIG. 3 is a second end view thereof;

FIG. 4 is a first side view thereof;

FIG. 5 is a second side view thereof;

FIG. 6 is a top plan view thereof;

FIG. 7 is a bottom plan view thereof; and,

FIG. 8 is a bottom perspective view thereof.

1 Claim, 5 Drawing Sheets

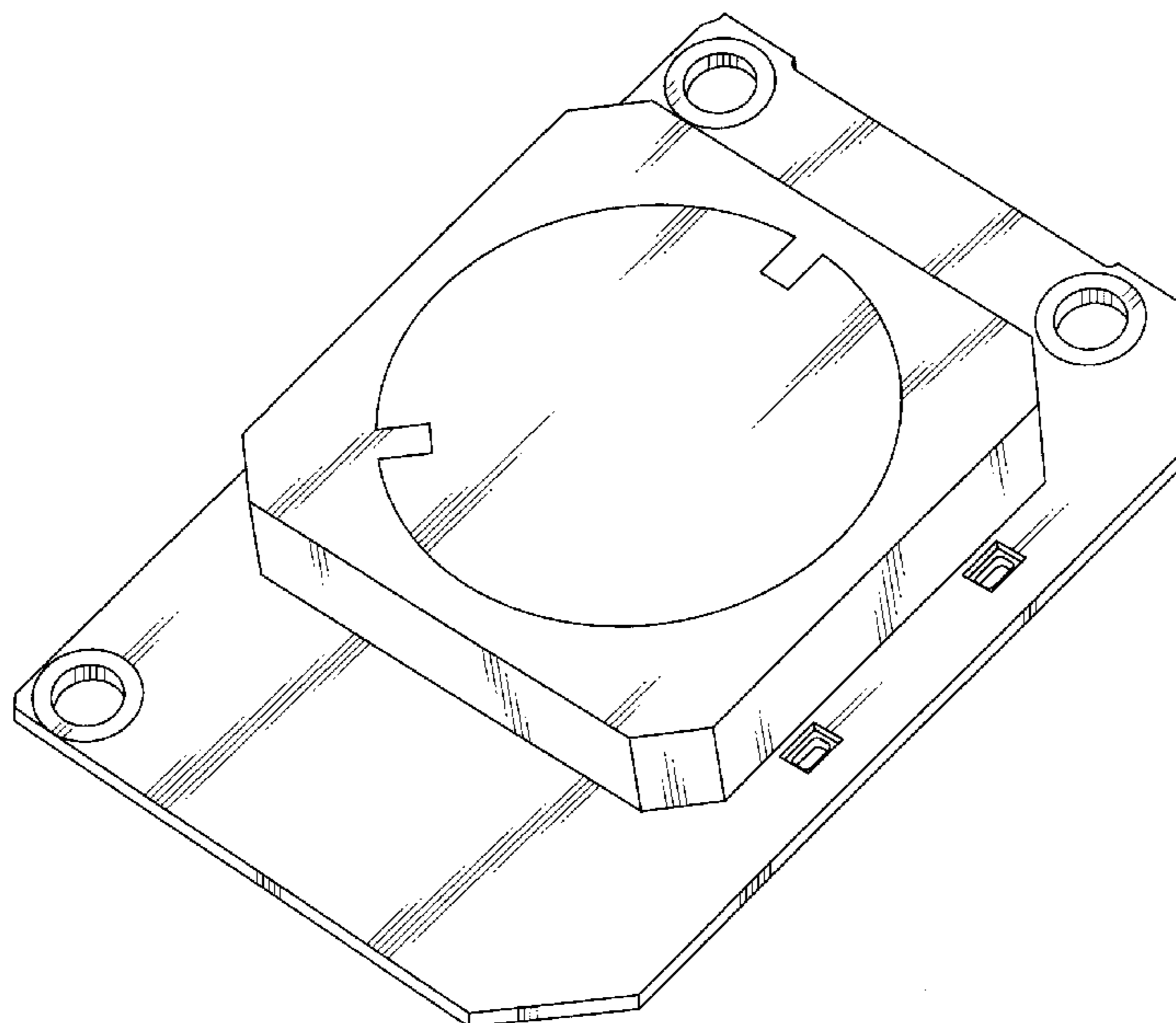


FIG.1

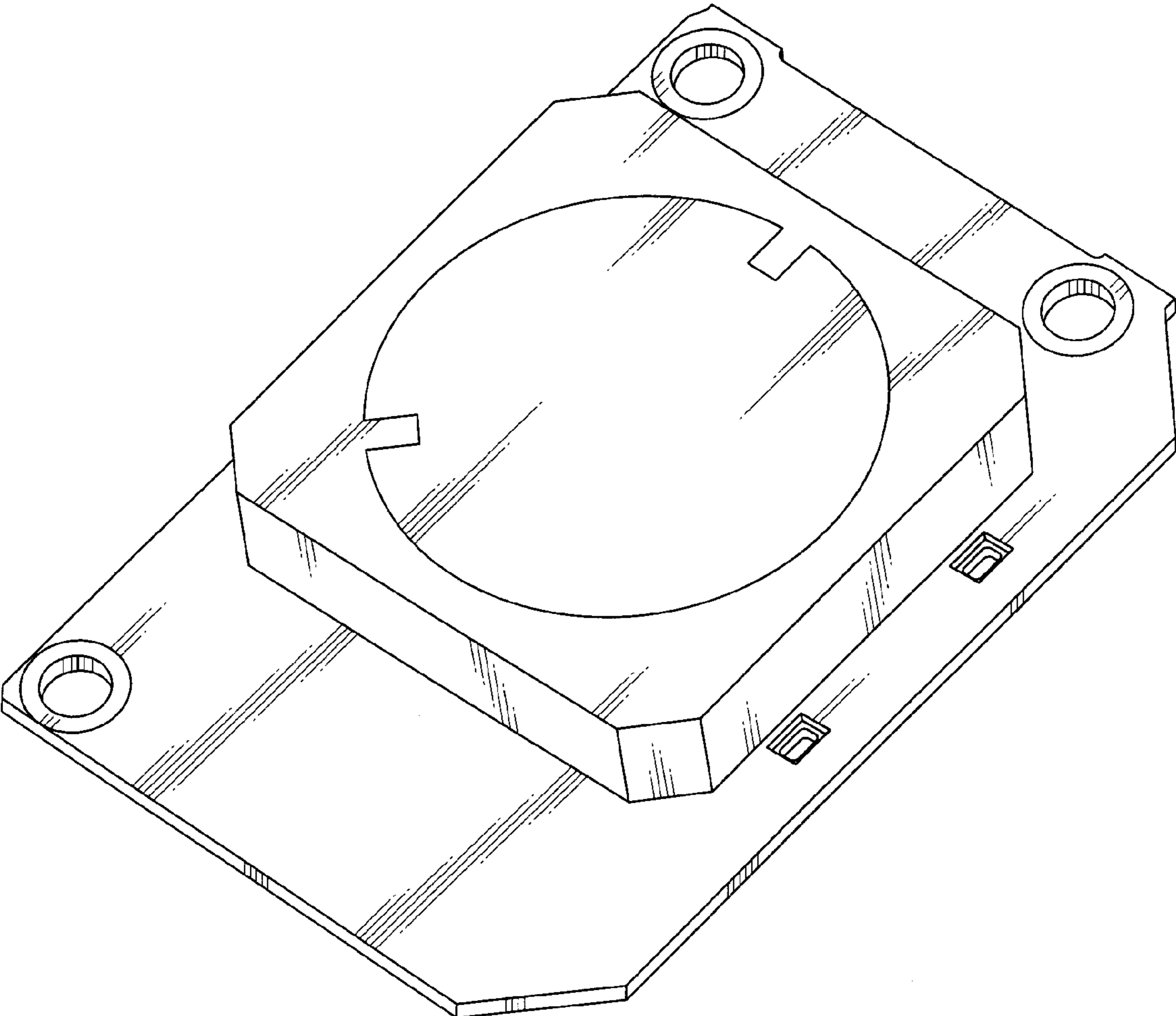


FIG.2

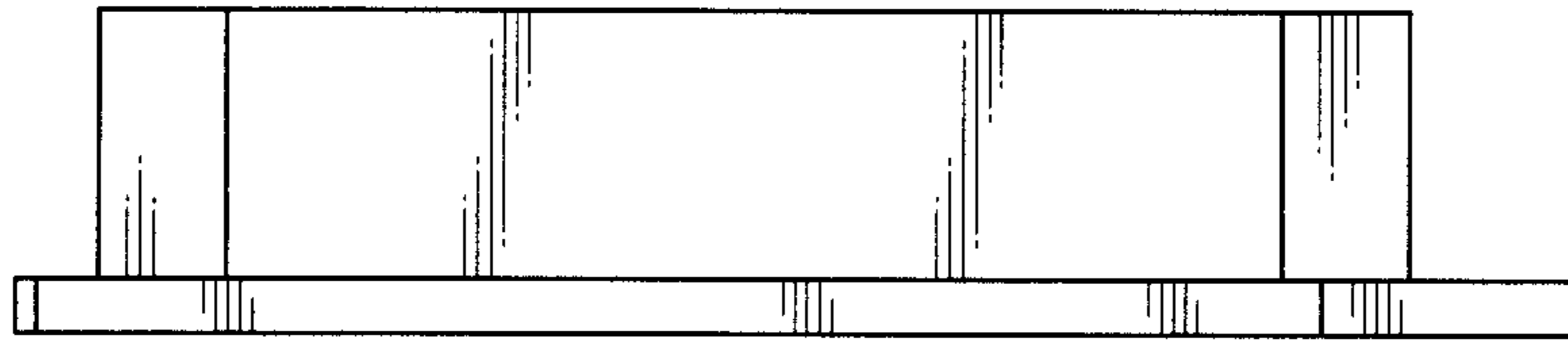


FIG.3

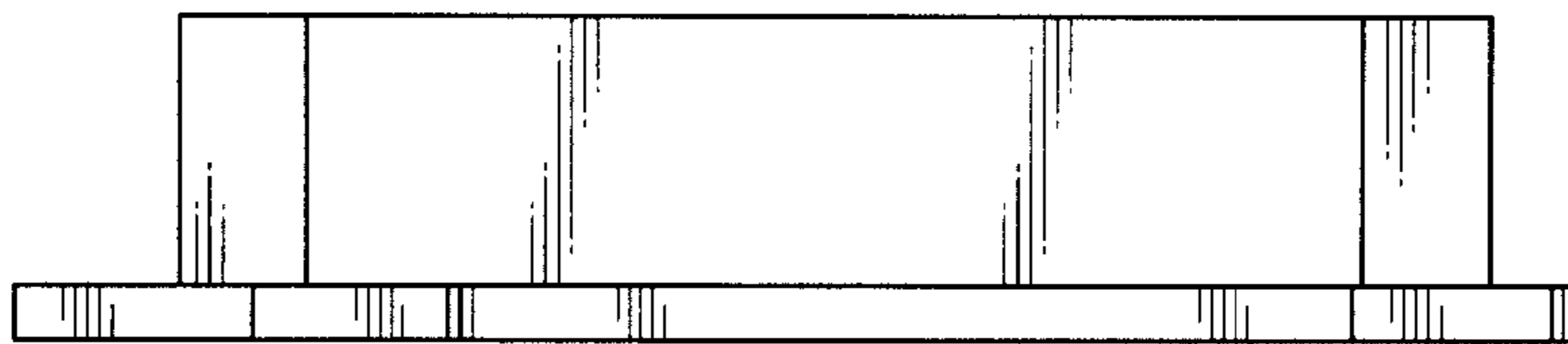


FIG.4

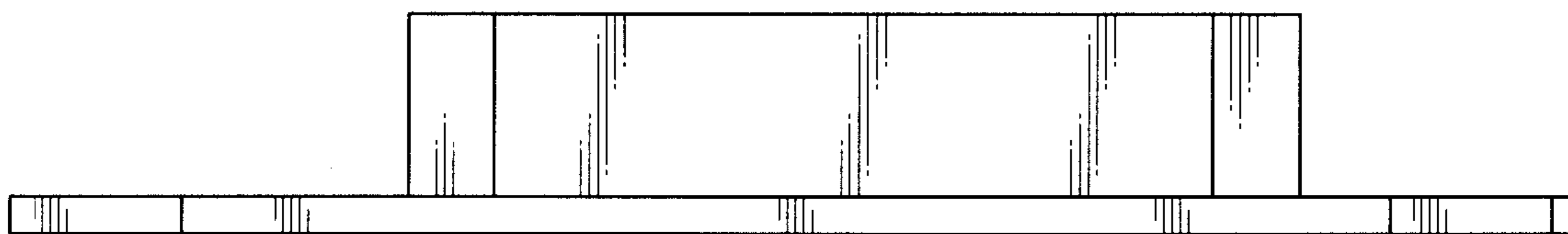


FIG.5

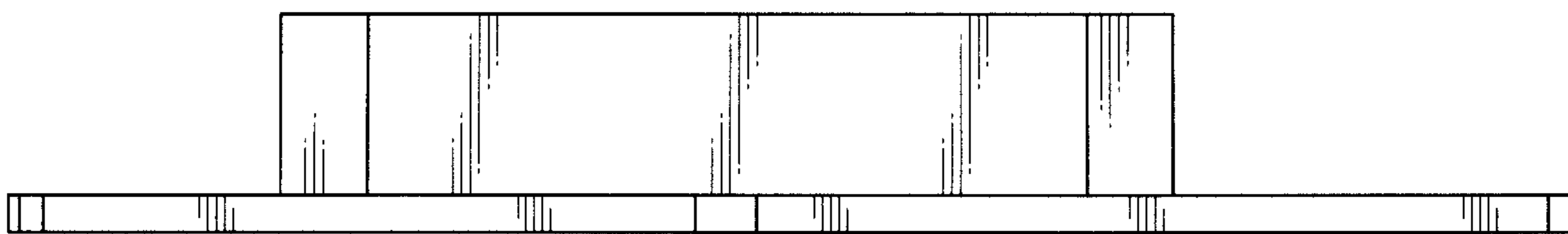


FIG.6

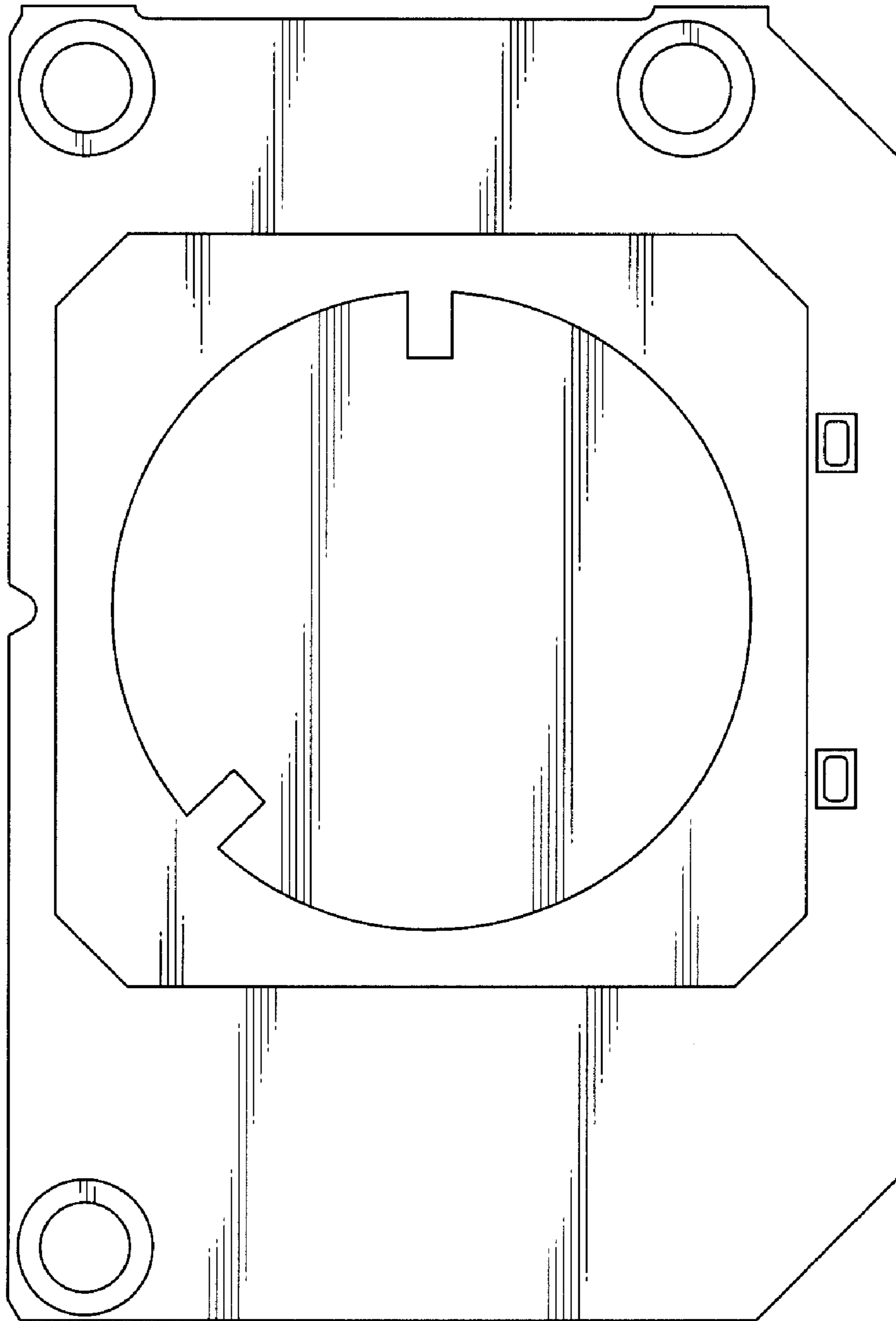


FIG. 7

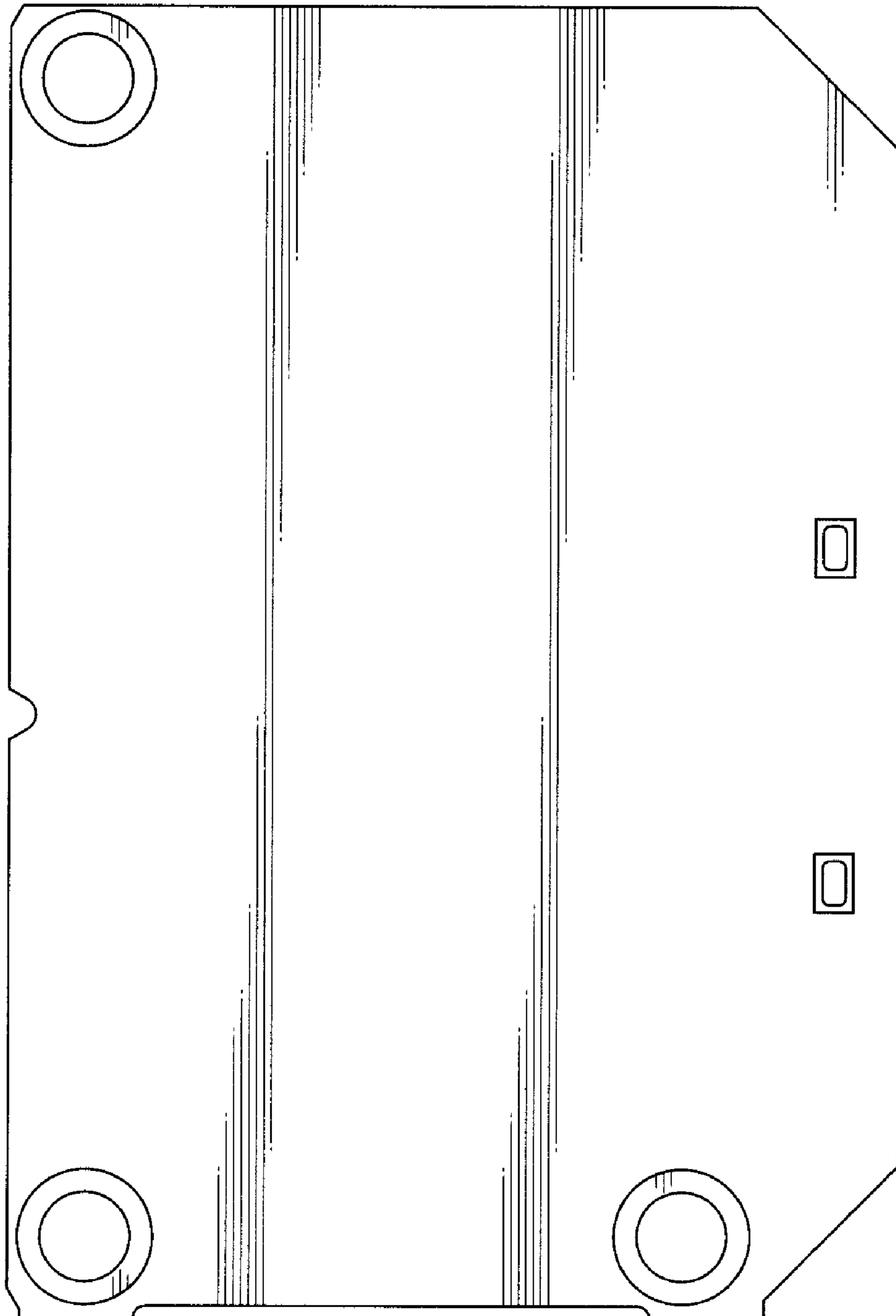


FIG.8

