



US00D582901S

(12) **United States Design Patent**  
**Bentley et al.**

(10) **Patent No.:** **US D582,901 S**

(45) **Date of Patent:** **\*\* Dec. 16, 2008**

(54) **BASE FOR A COMMUNICATIONS HEADSET**

(75) Inventors: **Matt Bentley**, Scotts Valley, CA (US);  
**Soo Hyun Ham**, San Francisco, CA (US)

(73) Assignee: **Plantronics, Inc.**, Santa Cruz, CA (US)

(\*\*) Term: **14 Years**

(21) Appl. No.: **29/291,042**

(22) Filed: **Aug. 10, 2007**

(51) **LOC (8) Cl.** ..... **14-01**

(52) **U.S. Cl.** ..... **D14/224**

(58) **Field of Classification Search** ..... D14/149,  
D14/168, 223, 224, 240, 217, 251; D13/107,  
D13/108; 181/129-130, 135; 320/110, 113;  
379/420.01-420.04; 455/569.1, 573, 575.9

See application file for complete search history.

(56) **References Cited**

**U.S. PATENT DOCUMENTS**

D277,662	S *	2/1985	Huntington et al. ....	D13/107
D291,300	S *	8/1987	Chaney .....	D13/107
D319,061	S *	8/1991	Powell et al. ....	D14/240
5,347,208	A *	9/1994	Iida .....	320/113
D355,913	S *	2/1995	Chong .....	D14/168
5,656,914	A *	8/1997	Nagele et al. ....	320/110
D462,342	S *	9/2002	Polito et al. ....	D14/224
D462,950	S *	9/2002	Waffensmith et al. ....	D14/251
D463,361	S *	9/2002	Ruohonen .....	D13/108
D486,492	S *	2/2004	Sheu et al. ....	D14/434
D496,029	S *	9/2004	Skulley et al. ....	D14/224
D506,437	S *	6/2005	Nishizawa .....	D13/108
D517,519	S *	3/2006	Skulley et al. ....	D14/149

D519,975	S *	5/2006	Skulley et al. ....	D14/149
D522,963	S *	6/2006	Hayes et al. ....	D13/108
D523,412	S *	6/2006	Ham .....	D14/149
D523,847	S *	6/2006	Naruki .....	D14/217
D524,729	S *	7/2006	Hussaini et al. ....	D13/108
D525,193	S *	7/2006	Vu .....	D13/108
D532,746	S *	11/2006	Meyers et al. ....	D13/108
D535,612	S *	1/2007	Chien .....	D13/107
D549,646	S *	8/2007	Sade et al. ....	D13/108
D551,216	S *	9/2007	Wei .....	D14/223
D551,617	S *	9/2007	Houghton .....	D13/108
D552,087	S *	10/2007	Wei .....	D14/223
D564,501	S *	3/2008	Rath .....	D14/224

\* cited by examiner

*Primary Examiner*—Paula Greene

(74) *Attorney, Agent, or Firm*—Michael Rodriguez

(57) **CLAIM**

The ornamental design for a base for a communications headset, as shown and described.

**DESCRIPTION**

FIG. 1 is front-top-right perspective view of a base for a communications headset showing our new design;

FIG. 2 is a right side view thereof;

FIG. 3 is a left side view thereof;

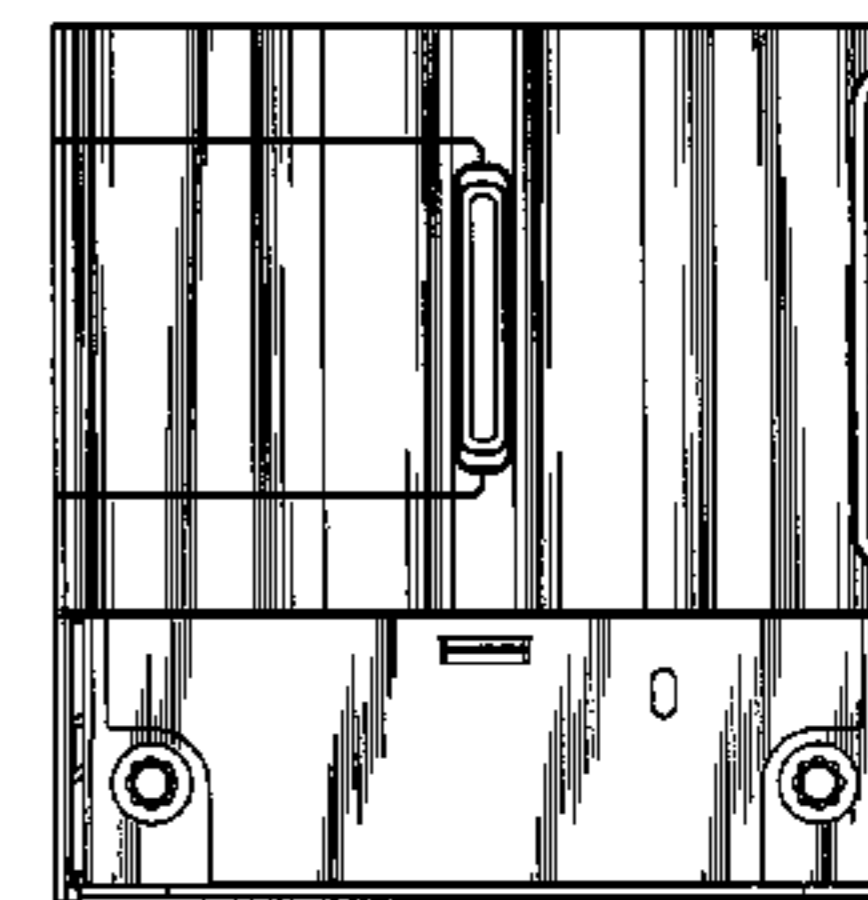
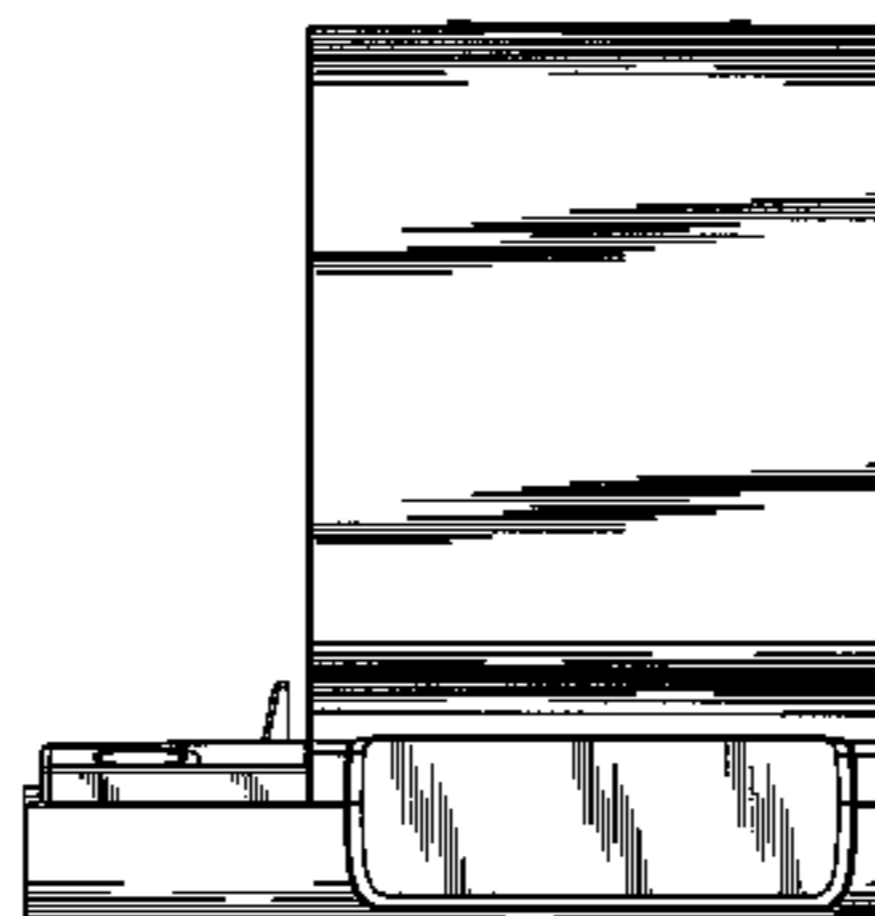
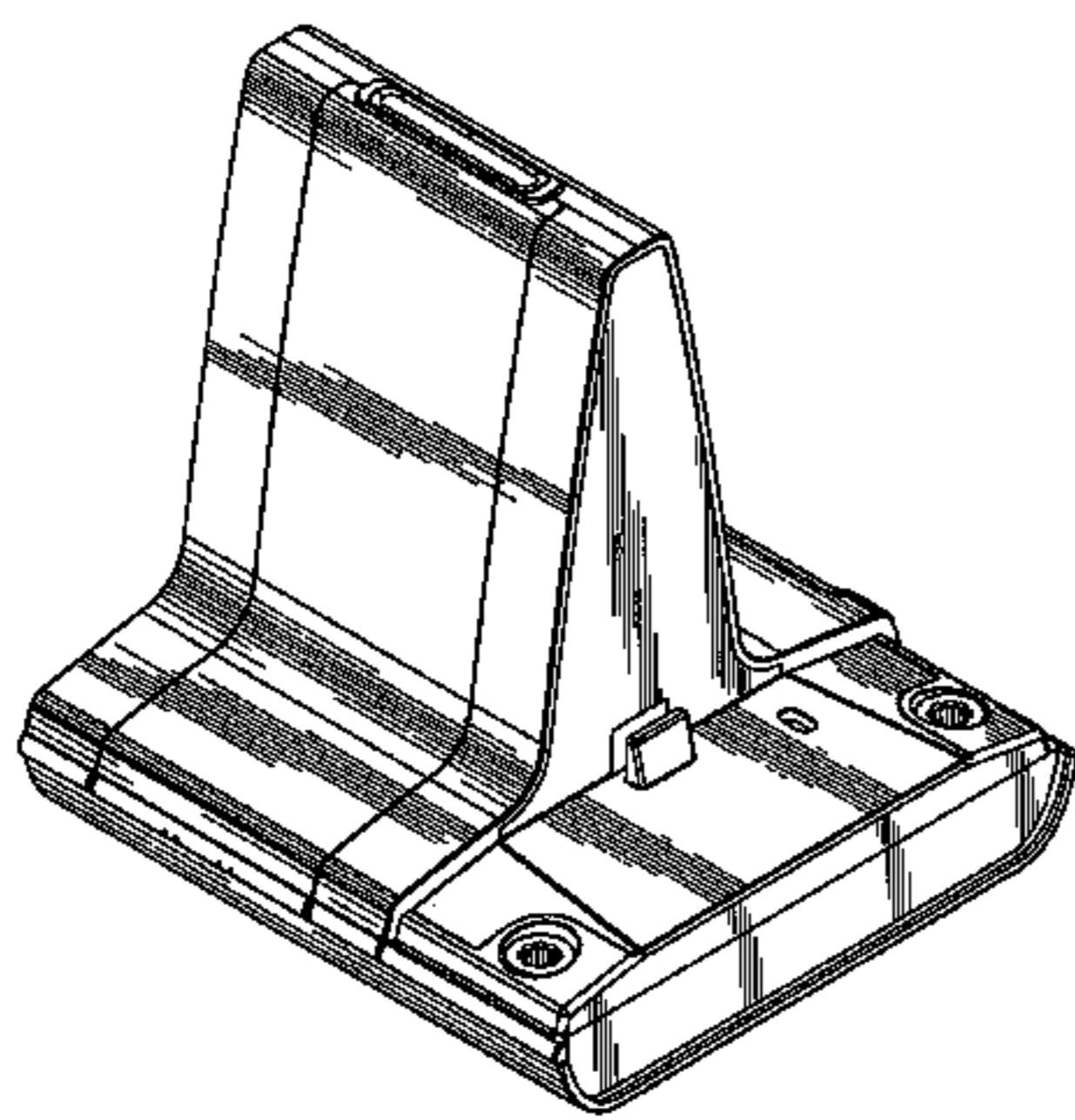
FIG. 4 is a back side view thereof;

FIG. 5 is a front side view thereof;

FIG. 6 is a top view thereof; and,

FIG. 7 is a bottom view thereof.

**1 Claim, 4 Drawing Sheets**



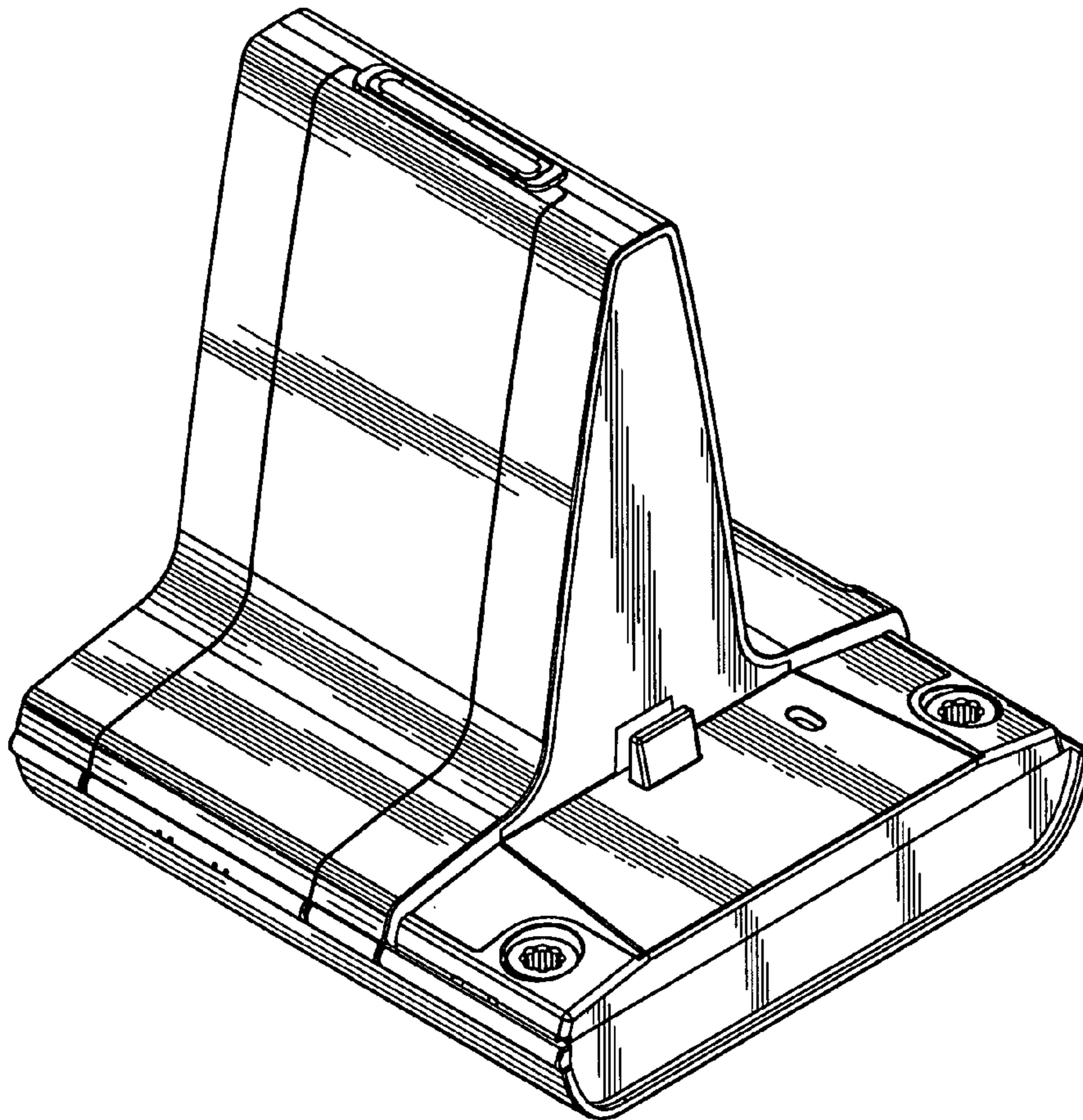


FIG. 1

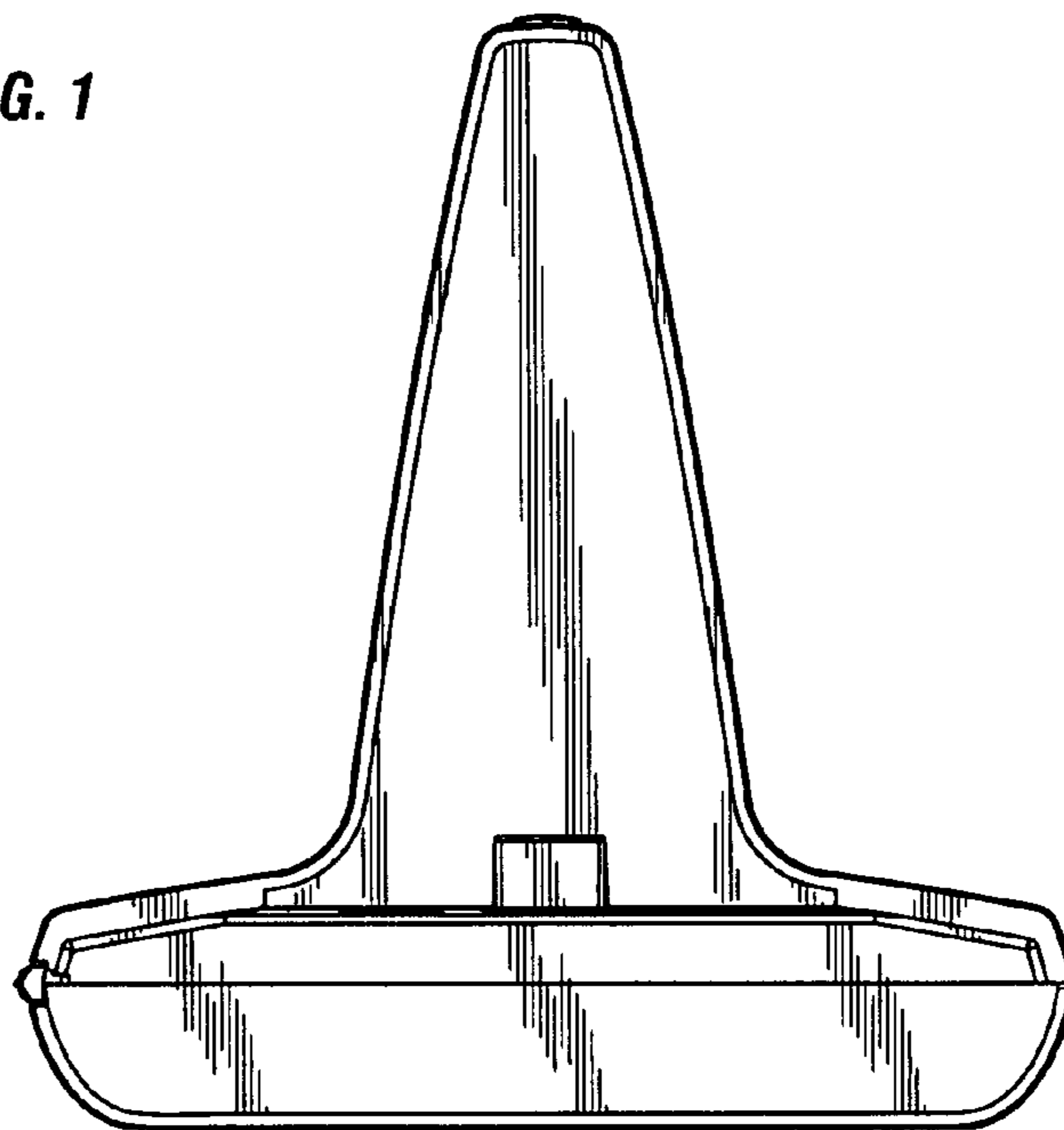
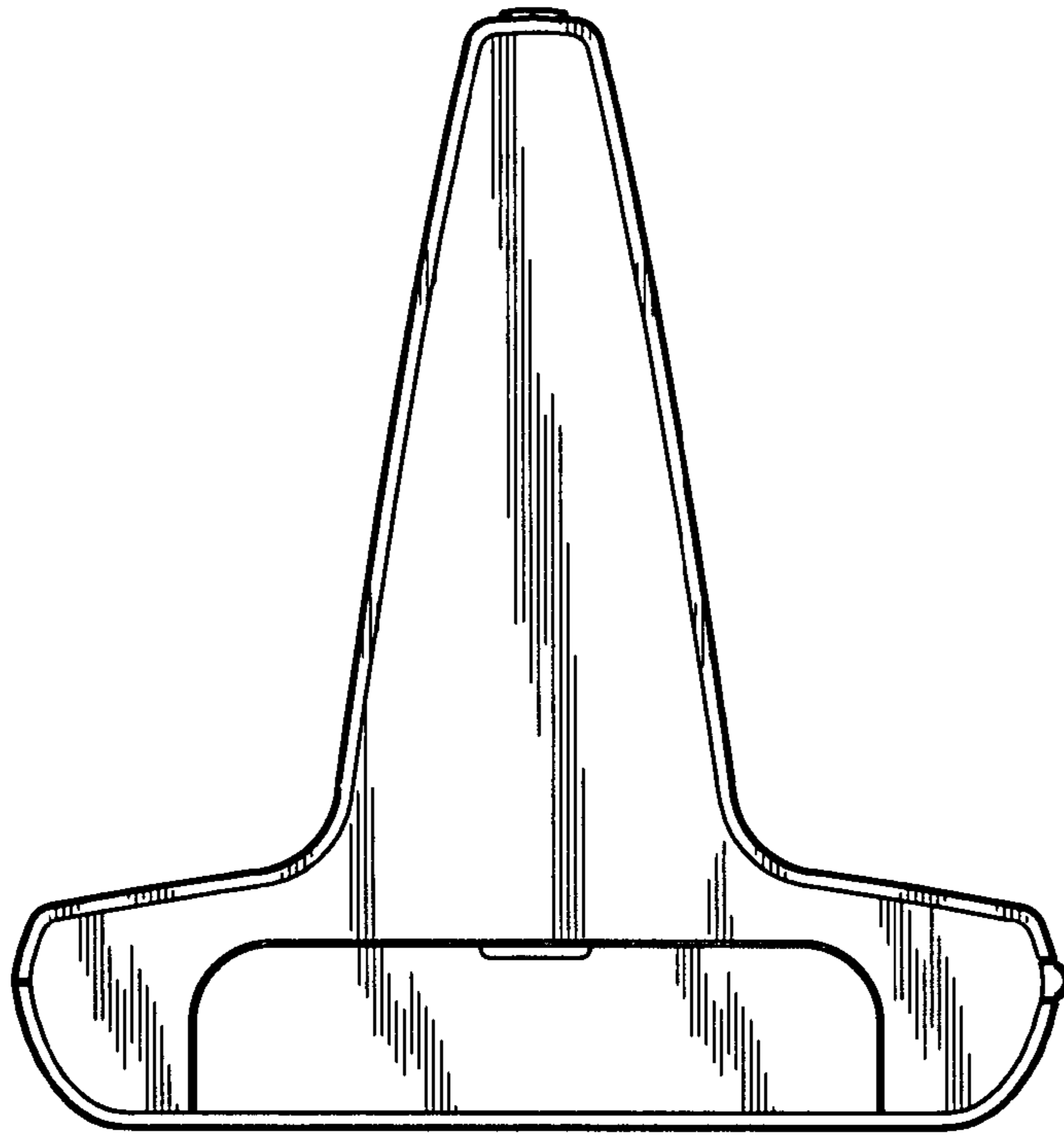
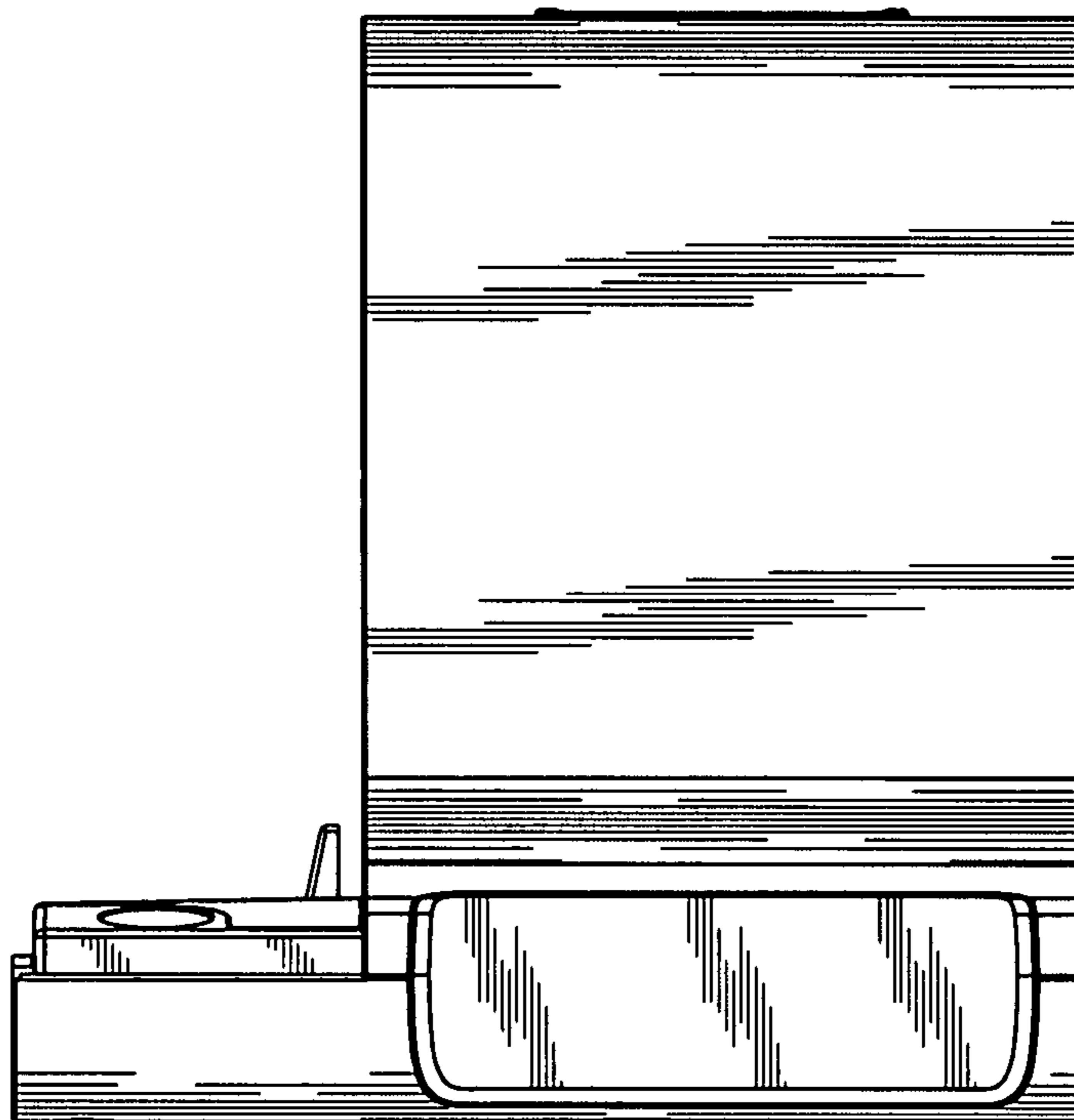


FIG. 2



**FIG. 3**



**FIG. 4**

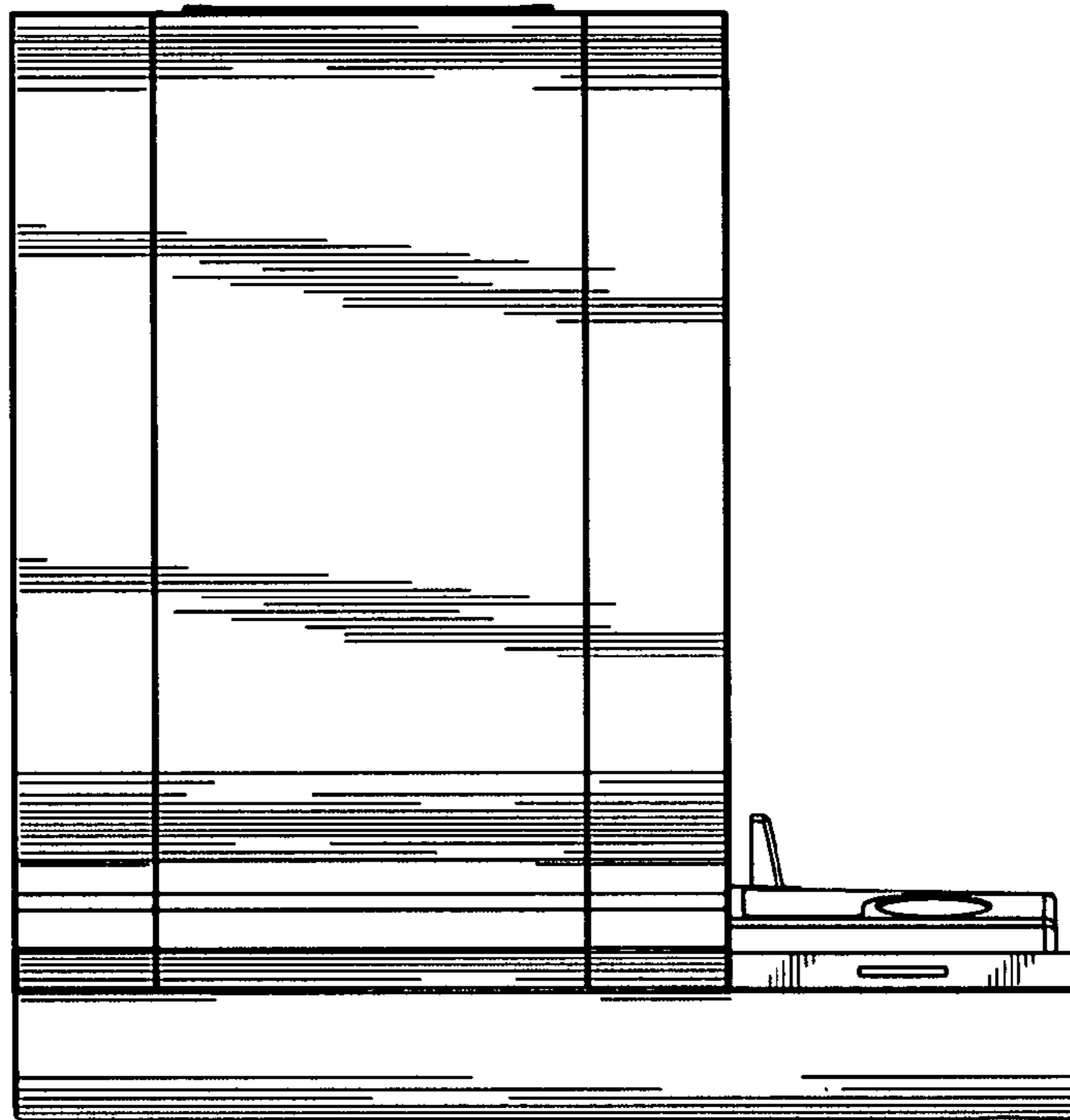


FIG. 5

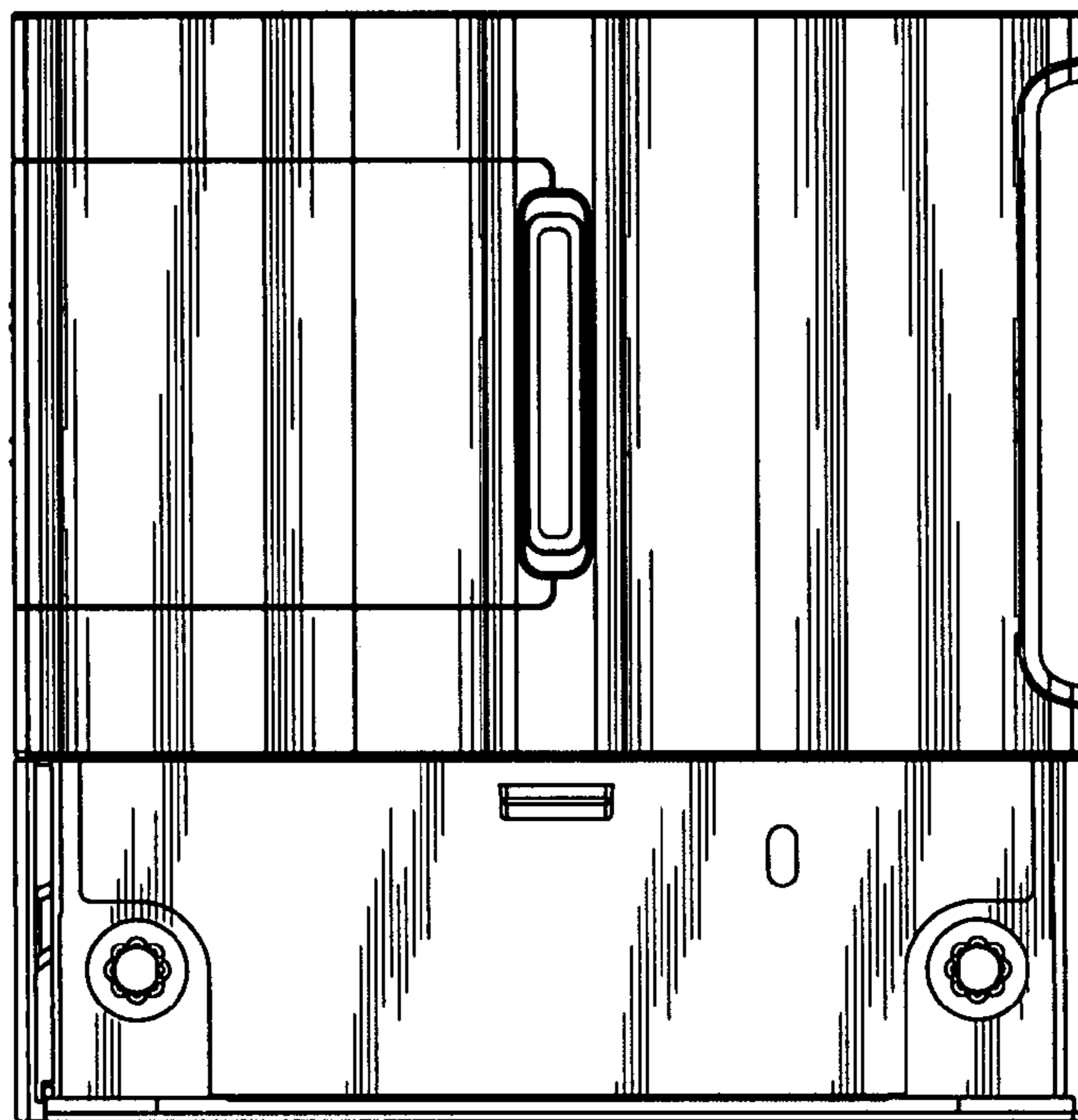
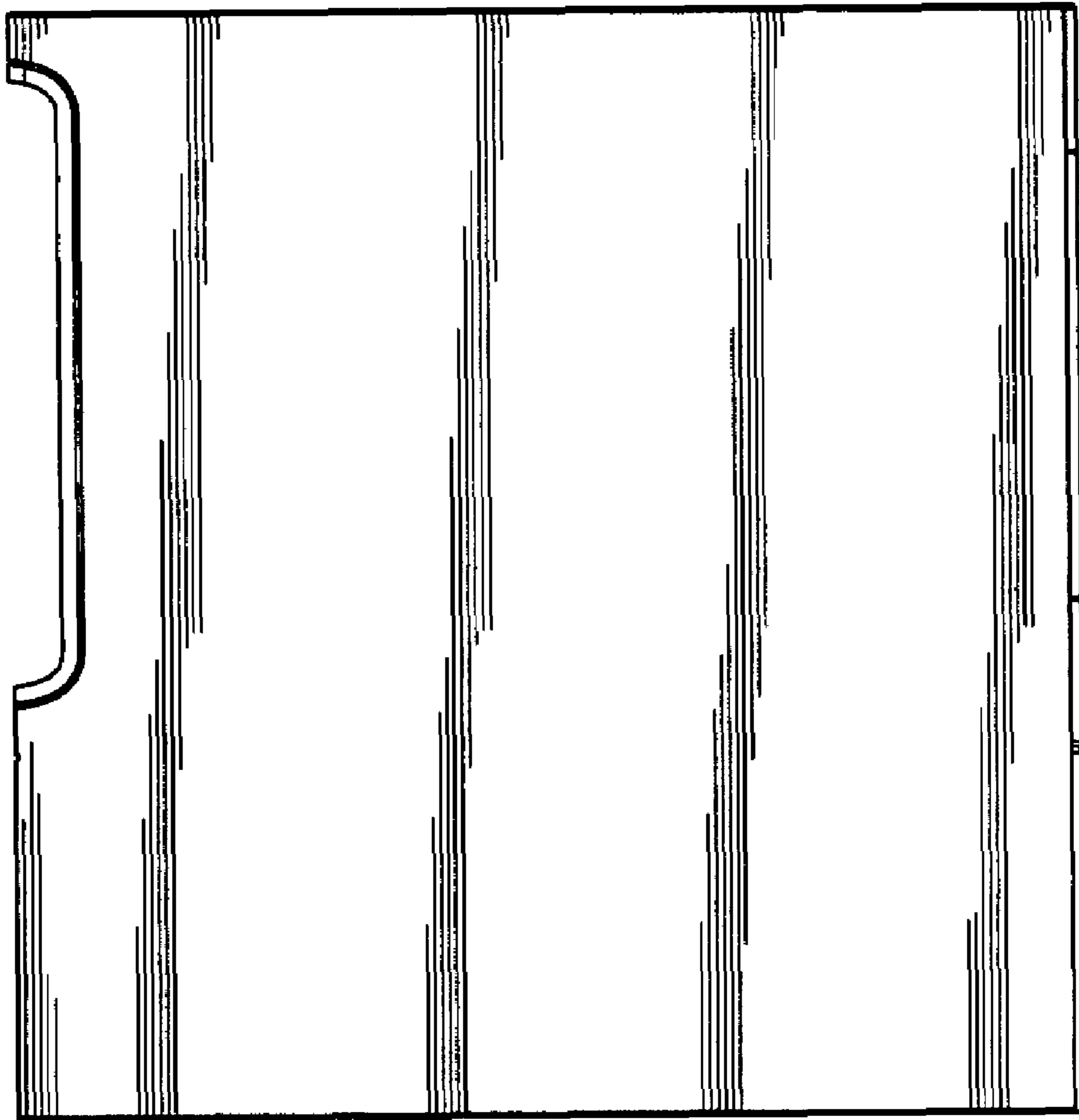


FIG. 6



**FIG. 7**