



US00D582899S

(12) **United States Design Patent**
Wai

(10) **Patent No.:** **US D582,899 S**
(45) **Date of Patent:** **** Dec. 16, 2008**

(54) **AUDIO AMPLIFIER**

(75) Inventor: **Victor Wai**, Kowloon (HK)

(73) Assignee: **Angel Sales, Inc.**, Chicago, IL (US)

(**) Term: **14 Years**

(21) Appl. No.: **29/299,518**

(22) Filed: **Dec. 28, 2007**

(51) **LOC (8) Cl.** **14-01**

(52) **U.S. Cl.** **D14/223; D14/205**

(58) **Field of Classification Search** D14/205,
D14/206, 223, 240, 142, 192, 218, 433; D13/110,
D13/233, 160, 133, 146, 147, 433; 24/3.13;
381/375; 181/129, 130, 135; 379/430, 431,
379/433.01; 455/573, 575.2, 569.2

See application file for complete search history.

(56) **References Cited**

U.S. PATENT DOCUMENTS

4,745,661	A	*	5/1988	Wainscott	24/3.13
D373,567	S	*	9/1996	Rak et al.	D13/133
D394,436	S	*	5/1998	Hall et al.	D14/206
D411,175	S	*	6/1999	Doren et al.	D13/154
D440,205	S	*	4/2001	Lord	D13/147
D443,859	S	*	6/2001	Hogan	D13/133
D457,513	S	*	5/2002	Pirelli et al.	D14/223
D462,689	S	*	9/2002	Moran	D14/433
D463,787	S	*	10/2002	Beraut et al.	D14/218
D465,784	S	*	11/2002	Lin	D14/433
D469,770	S	*	2/2003	Carpenter et al.	D14/433
D470,833	S	*	2/2003	Rath et al.	D14/240
D473,217	S	*	4/2003	Rivera	D14/223
D475,996	S	*	6/2003	Skulley	D14/240
D479,834	S	*	9/2003	Salazar et al.	D14/205
D480,386	S	*	10/2003	Browne et al.	D14/223
D480,389	S	*	10/2003	Schulz et al.	D14/240
D486,478	S	*	2/2004	Swan et al.	D14/223
D493,175	S	*	7/2004	Schmidt et al.	D14/433
D494,570	S	*	8/2004	Ma	D14/223
D494,571	S	*	8/2004	Polito	D14/223

D497,357	S	*	10/2004	Allum et al.	D14/206
D502,171	S	*	2/2005	Tang et al.	D14/223
D504,884	S	*	5/2005	Hering	D14/206
D509,210	S	*	9/2005	Skulley et al.	D14/205
D516,032	S	*	2/2006	Suckle et al.	D13/147
D537,780	S	*	3/2007	Suckle	D13/133
D543,937	S	*	6/2007	Rose et al.	D13/110
D551,626	S	*	9/2007	Ho et al.	D13/147
D554,626	S	*	11/2007	Christopher	D14/223
D555,150	S	*	11/2007	Christopher et al.	D14/223
D555,151	S	*	11/2007	Eklund	D14/223
D569,842	S	*	5/2008	Yang	D14/205

* cited by examiner

Primary Examiner—Paula Greene

(74) *Attorney, Agent, or Firm*—Michael Best & Friedrich LLP

(57) **CLAIM**

I claim the ornamental design for an audio amplifier, as shown and described.

DESCRIPTION

FIG. 1 is a top perspective of an audio amplifier.

FIG. 2 is a bottom perspective of the audio amplifier shown in FIG. 1.

FIG. 3 is a front view of the audio amplifier shown in FIG. 1.

FIG. 4 is a rear view of the audio amplifier shown in FIG. 1.

FIG. 5 is a top view of the audio amplifier shown in FIG. 1.

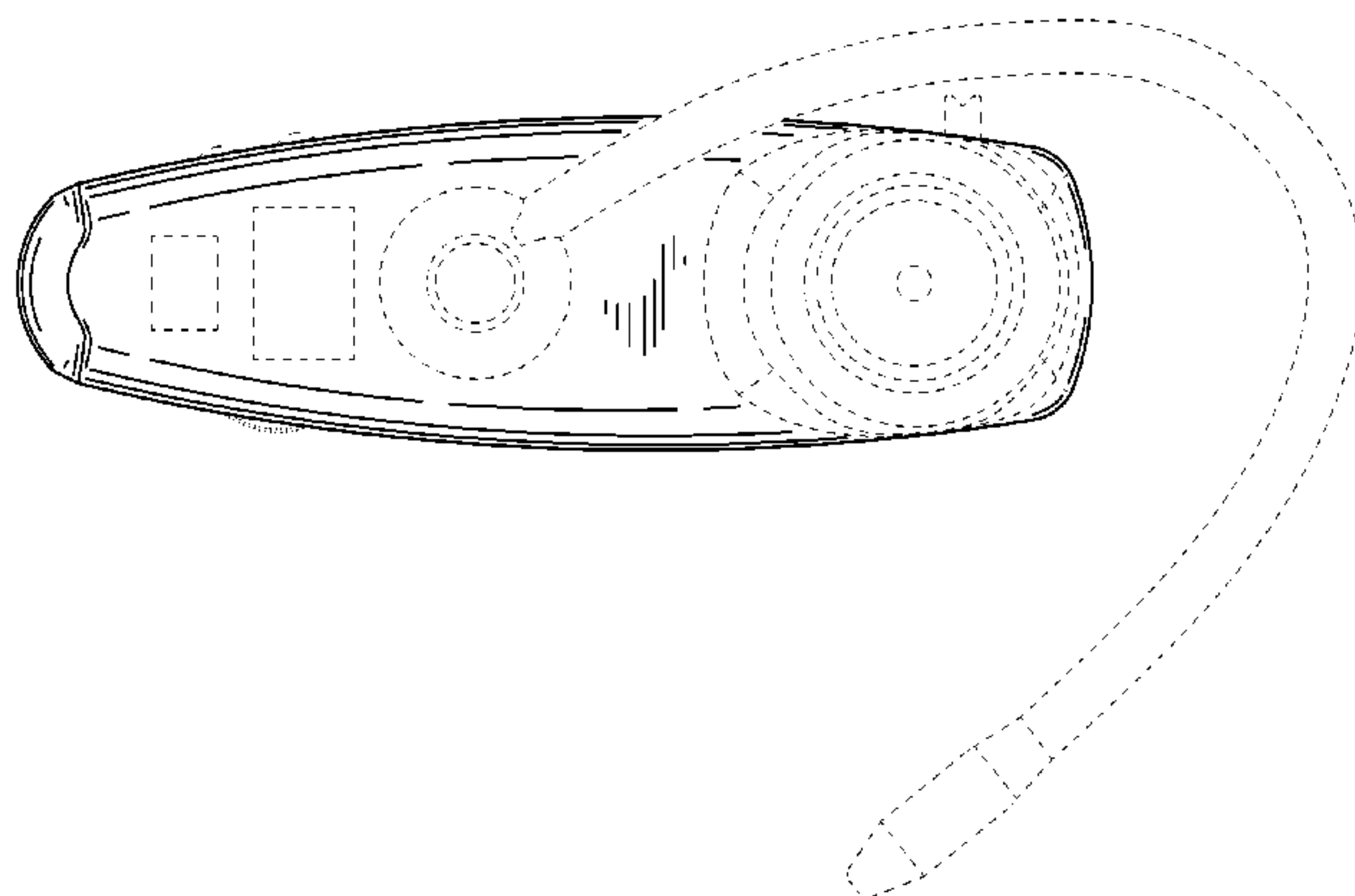
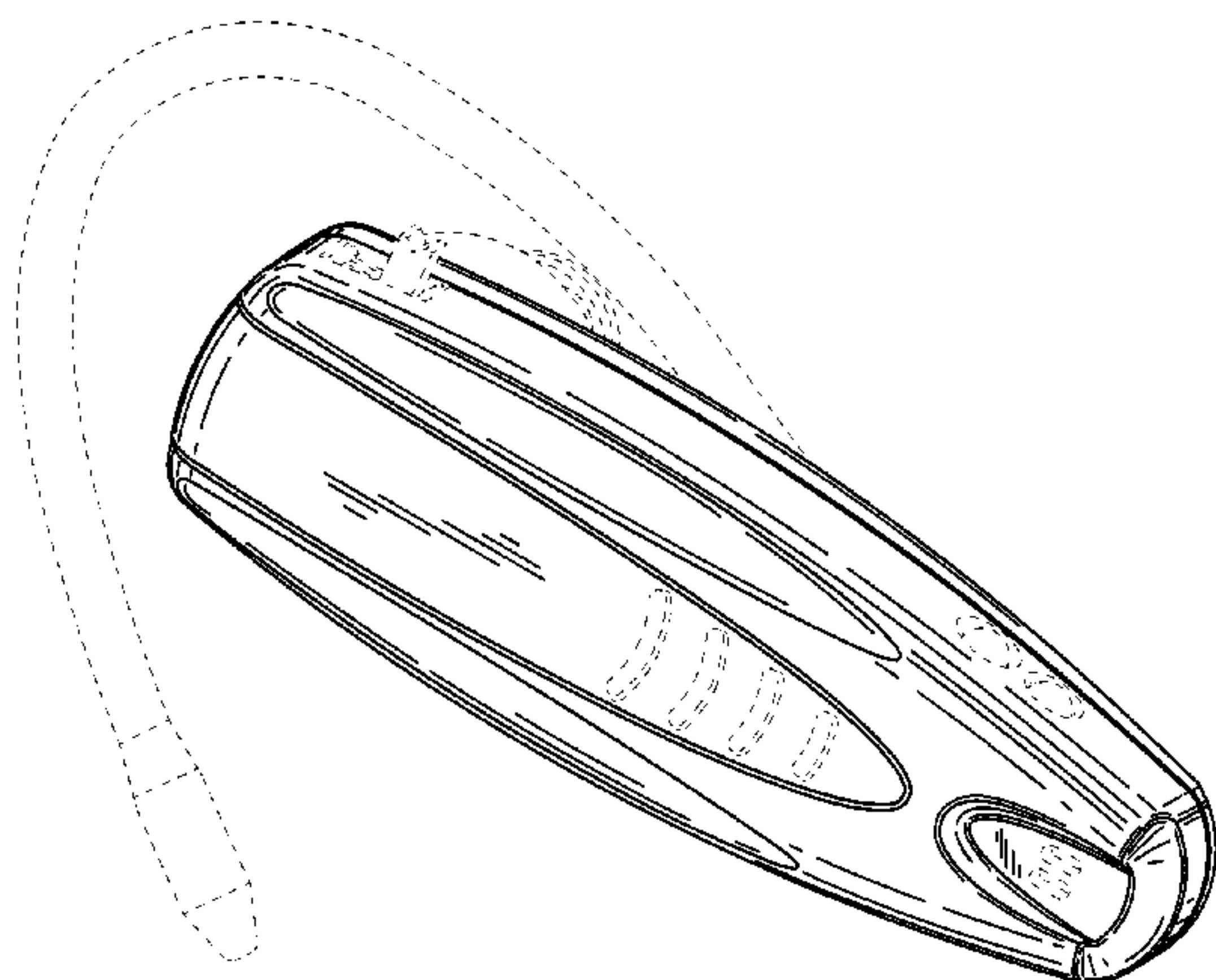
FIG. 6 is a bottom view of the audio amplifier shown in FIG. 1.

FIG. 7 is a right side view of the audio amplifier shown in FIG. 1; and,

FIG. 8 is left side view of the audio amplifier shown in FIG. 1.

The portions of the audio amplifier and the environment shown in broken lines are for illustrative purposes only and form no part of the claimed design.

1 Claim, 7 Drawing Sheets



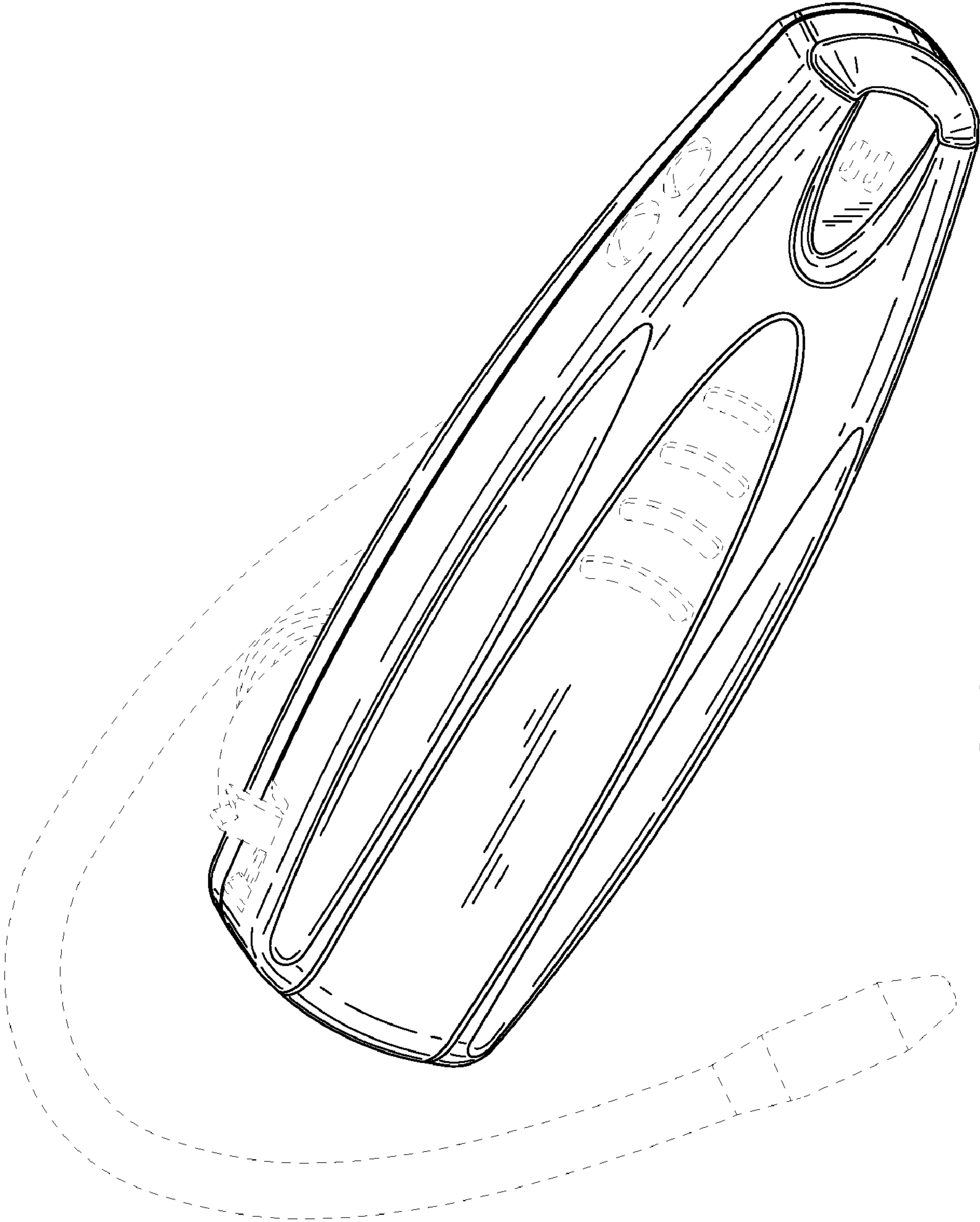


FIG. 1

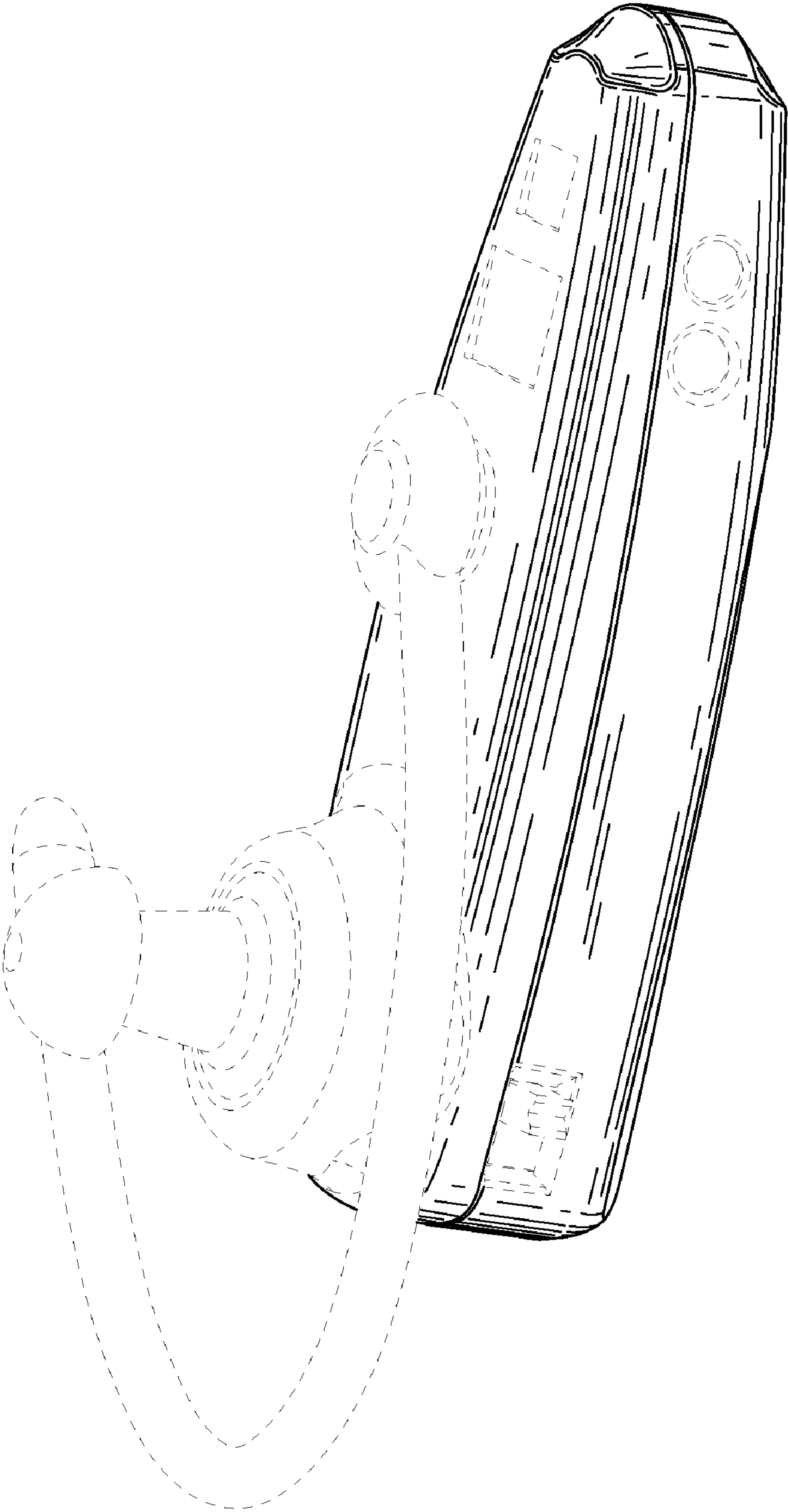


FIG. 2

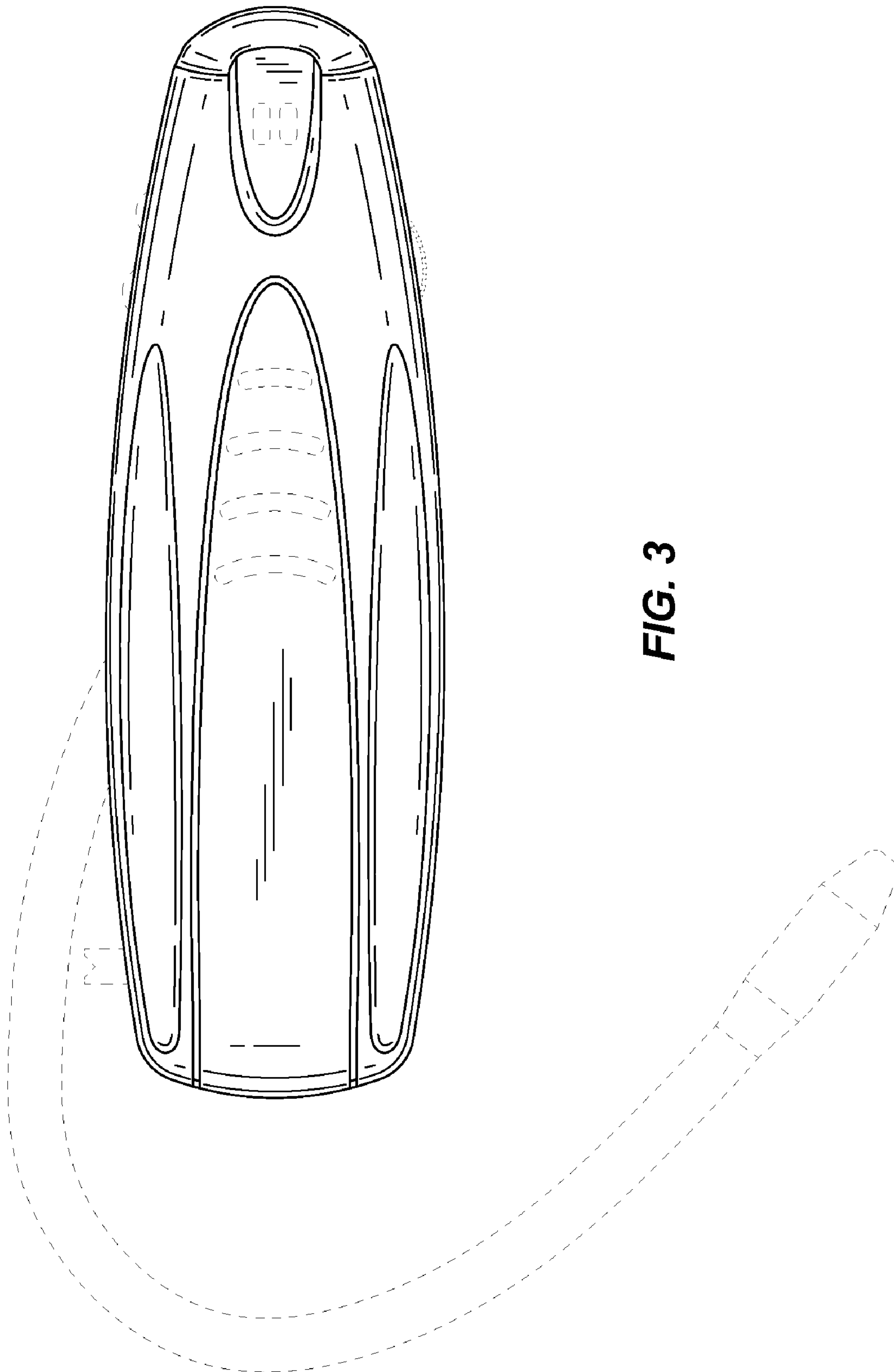


FIG. 3

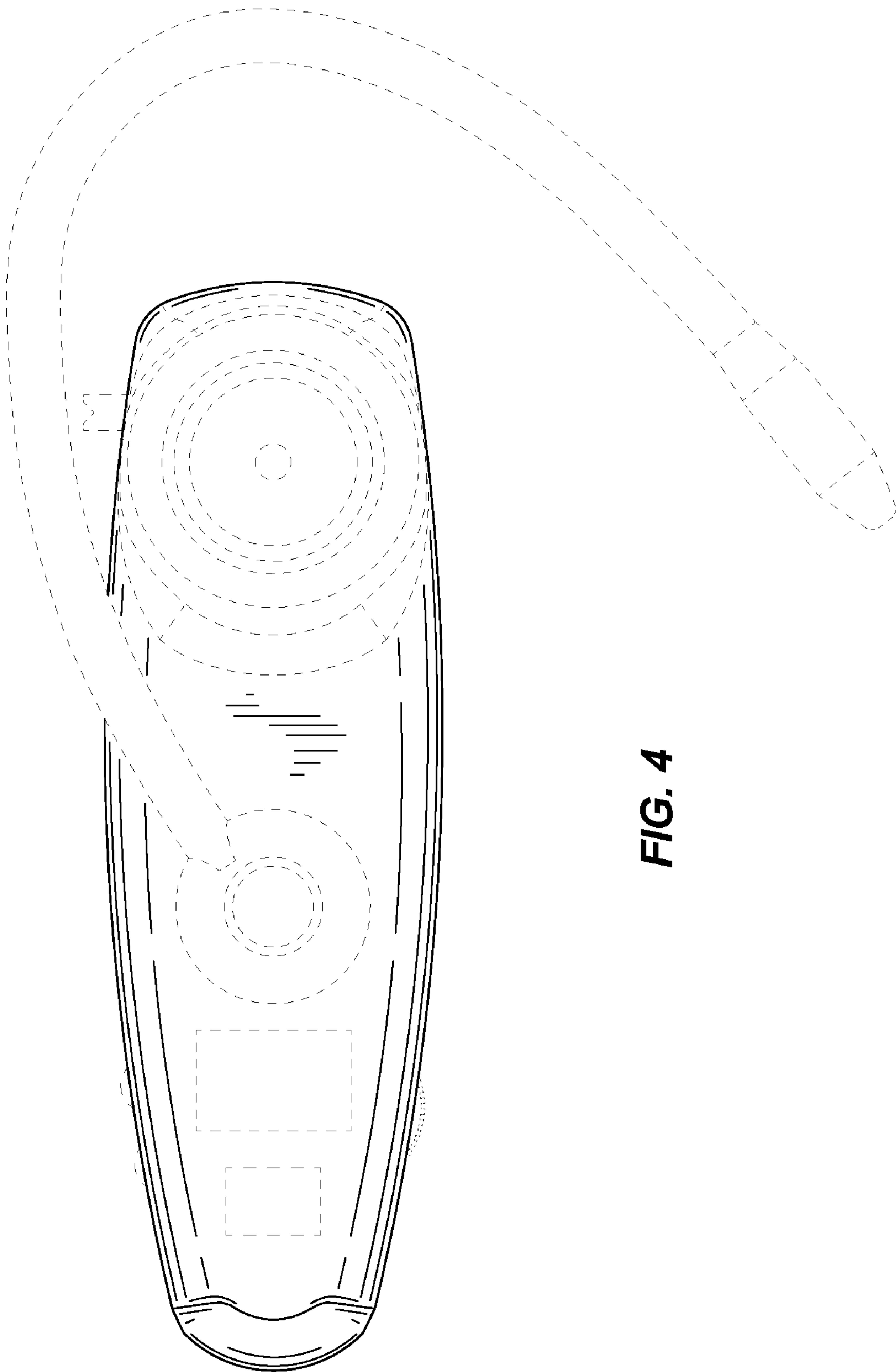


FIG. 4

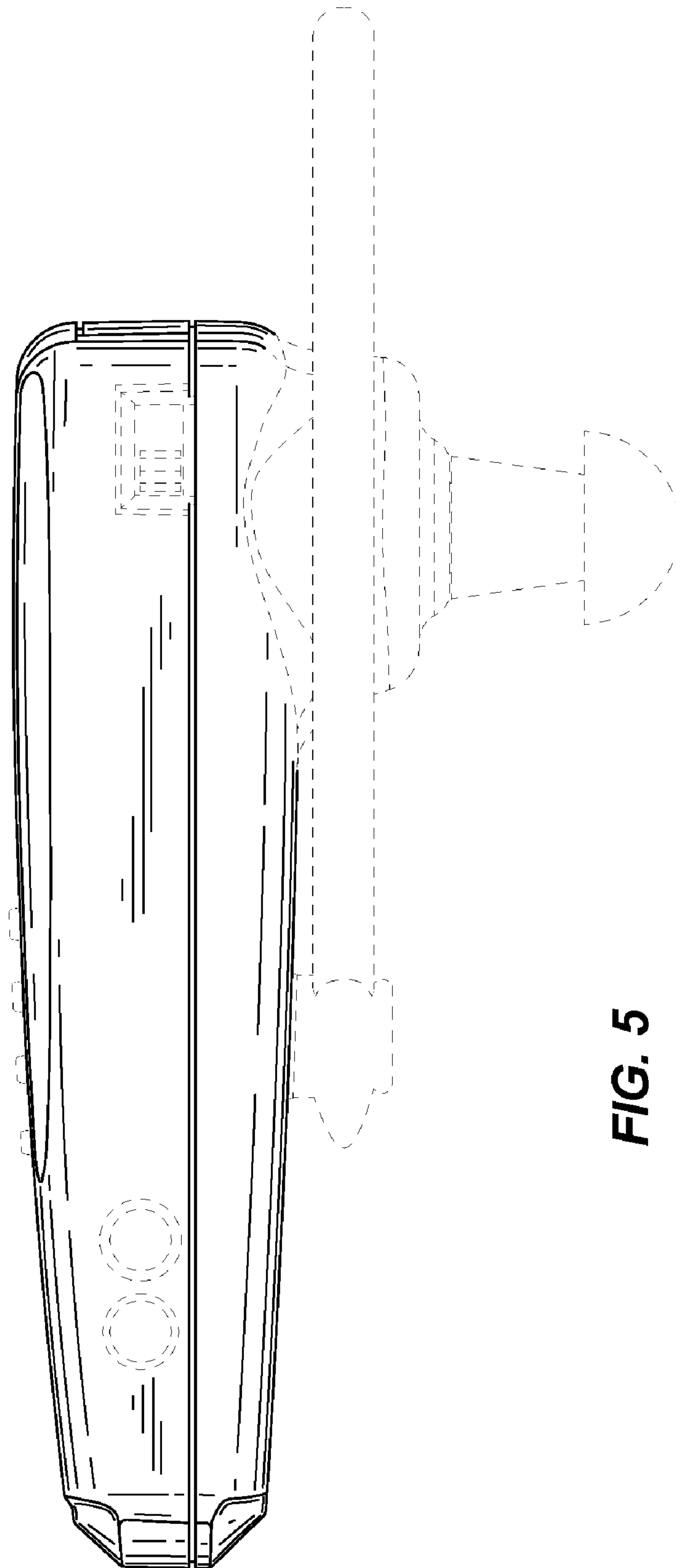


FIG. 5

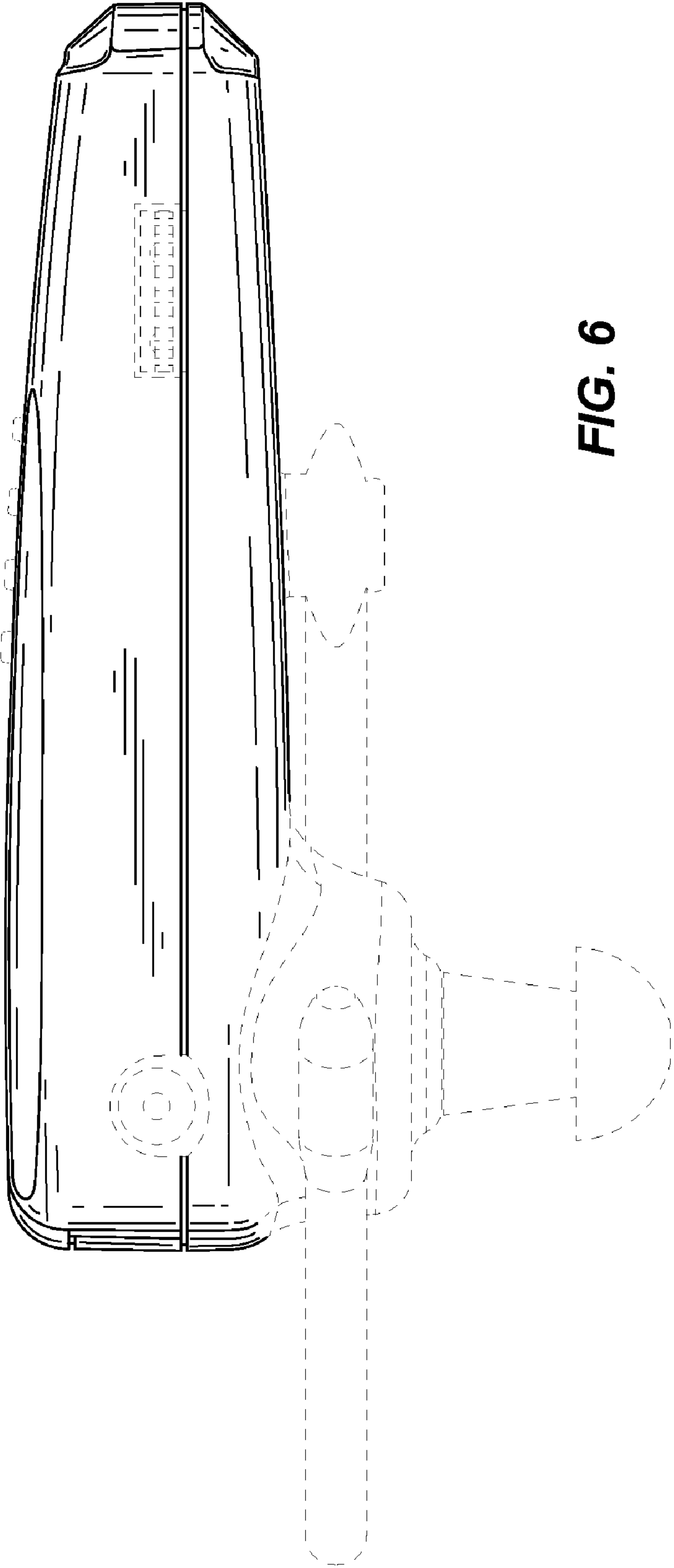


FIG. 6

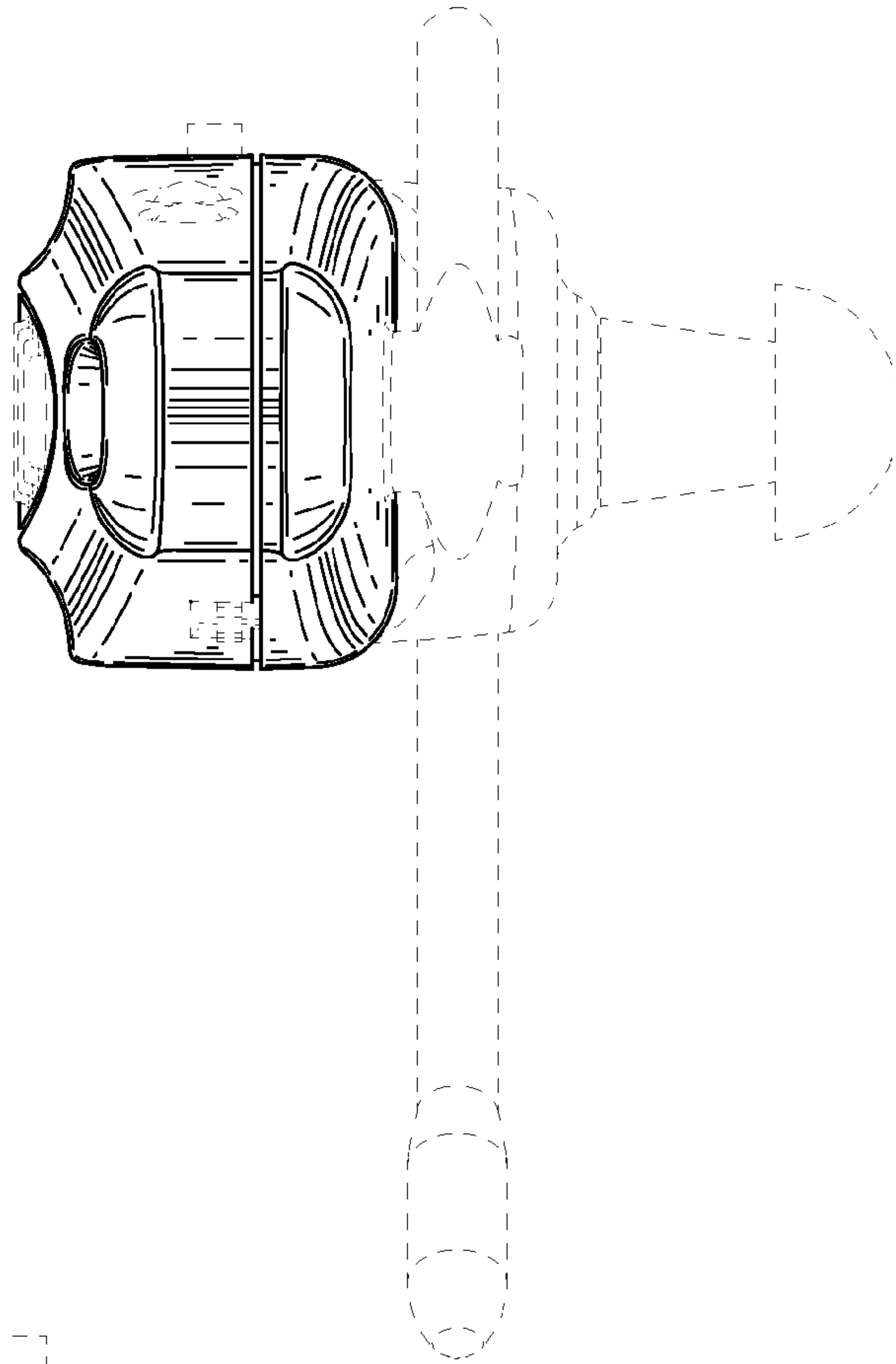


FIG. 7

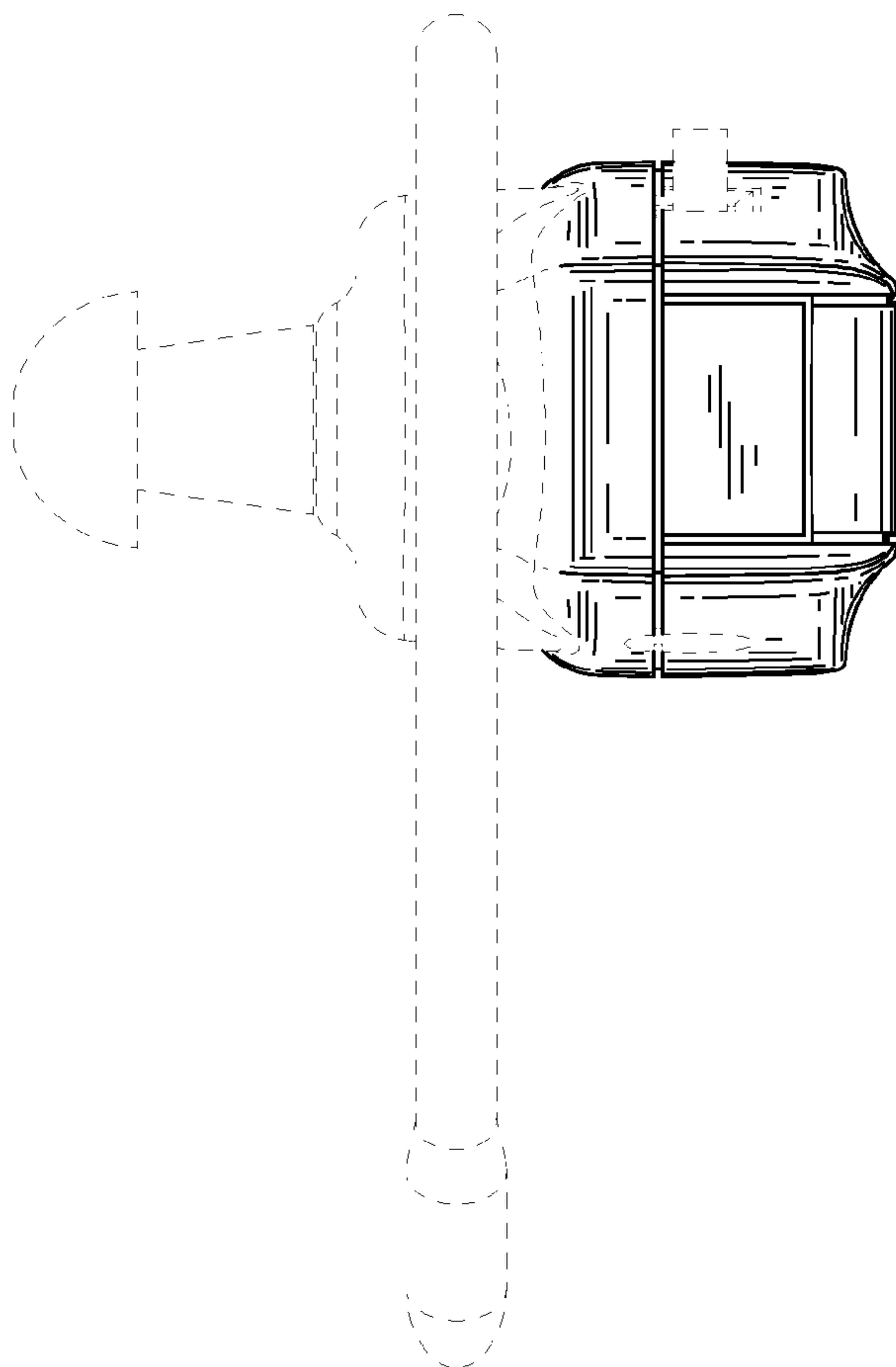


FIG. 8