



US00D582896S

(12) **United States Design Patent**  
**Yokoyama**

(10) **Patent No.:** **US D582,896 S**

(45) **Date of Patent:** **\*\* Dec. 16, 2008**

(54) **SPEAKER**

D549,693 S \* 8/2007 Mizokawa ..... D14/216  
D550,208 S \* 9/2007 Mizokawa ..... D14/216

(75) Inventor: **Hiroaki Yokoyama**, Tokyo (JP)

**FOREIGN PATENT DOCUMENTS**

(73) Assignee: **Sony Corporation**, Tokyo (JP)

CN D3408548 S 12/2004  
CN D3413761 S 12/2004

(\*\*) Term: **14 Years**

\* cited by examiner

(21) Appl. No.: **29/290,626**

*Primary Examiner*—Nanda Bondade

(22) Filed: **Dec. 28, 2007**

(74) *Attorney, Agent, or Firm*—Rader, Fishman & Grauer, PLLC

(51) **LOC (8) Cl.** ..... **14-01**

(57) **CLAIM**

(52) **U.S. Cl.** ..... **D14/221**

(58) **Field of Classification Search** ..... D14/204,  
D14/209–216, 219–222; 181/143–144, 147–148,  
181/150, 157, 198–199, 151, 153; 381/300–302,  
381/306, 333, 345, 361–364, 386–388, 332,  
381/336

The ornamental design for a speaker, as shown and described.

See application file for complete search history.

**DESCRIPTION**

(56) **References Cited**

FIG. 1 is a front perspective view of a speaker showing my new design;

**U.S. PATENT DOCUMENTS**

D434,751 S 12/2000 Sogabe et al.  
D488,802 S 4/2004 Uehara et al.  
D489,359 S 5/2004 Hakoda  
D494,155 S 8/2004 Shindo et al.  
D523,849 S \* 6/2006 Ishikawa et al. .... D14/221  
D532,771 S 11/2006 Motoishi  
D534,158 S 12/2006 Yokoyama  
D547,751 S 7/2007 Shiono

FIG. 2 is a front elevational view thereof;

FIG. 3 is a rear elevational view thereof;

FIG. 4 is a left side elevational view thereof;

FIG. 5 is a right side elevational view thereof;

FIG. 6 is a top plan view thereof; and,

FIG. 7 is a bottom plan view thereof.

The portions indicated in broken lines are for illustrative purposes only and form no part of the claimed design.

**1 Claim, 7 Drawing Sheets**

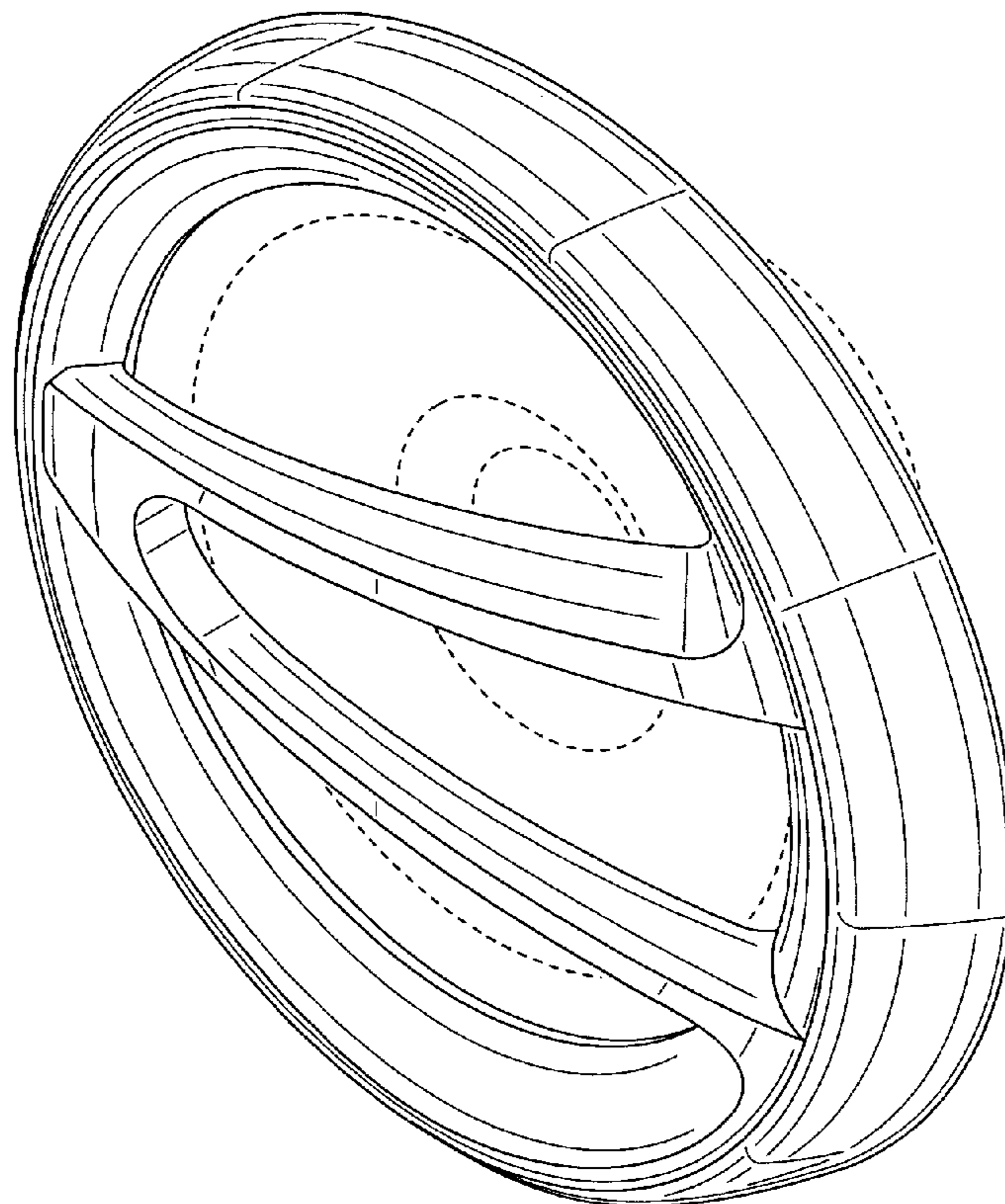


FIG.1

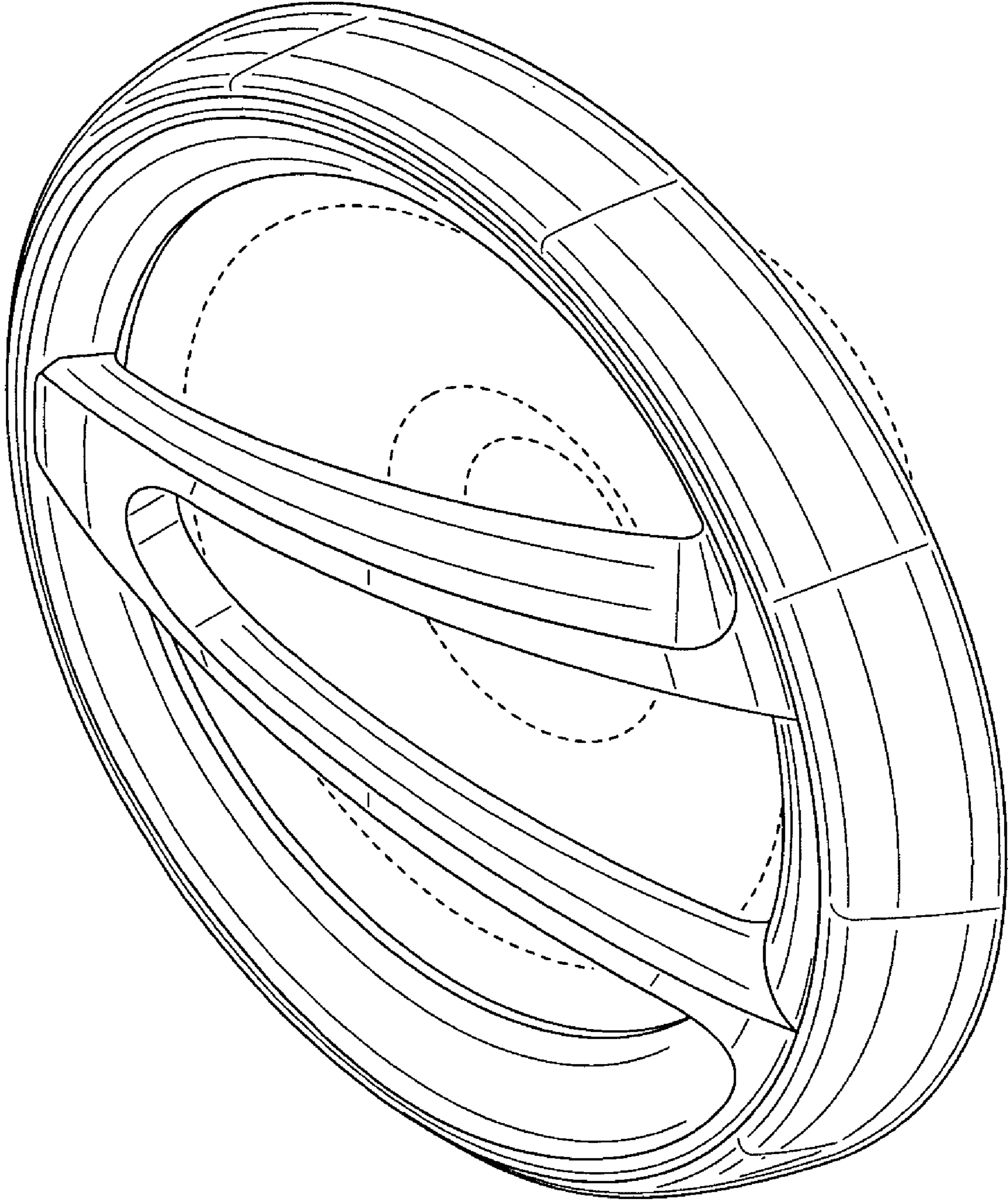


FIG.2

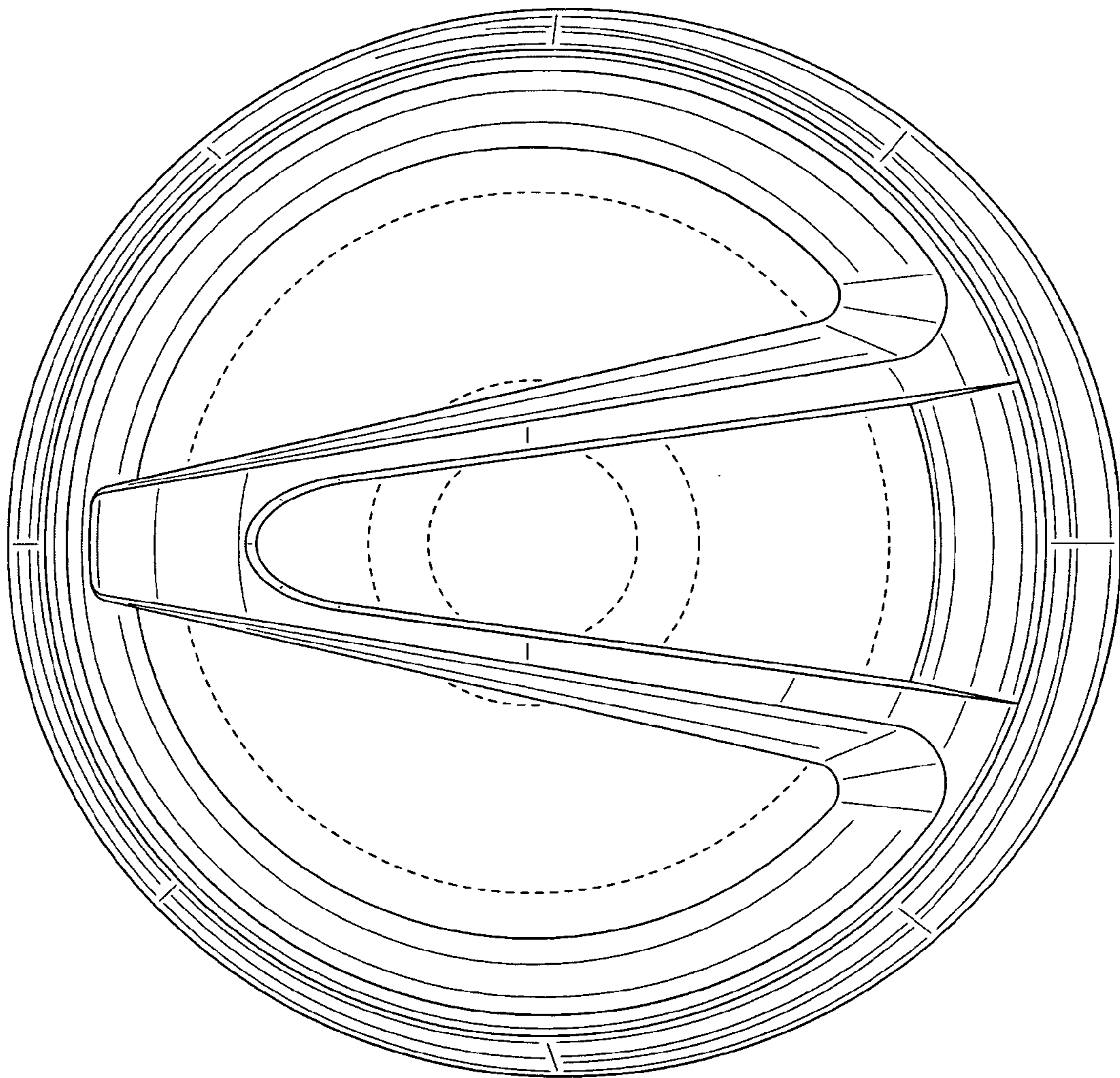


FIG.3

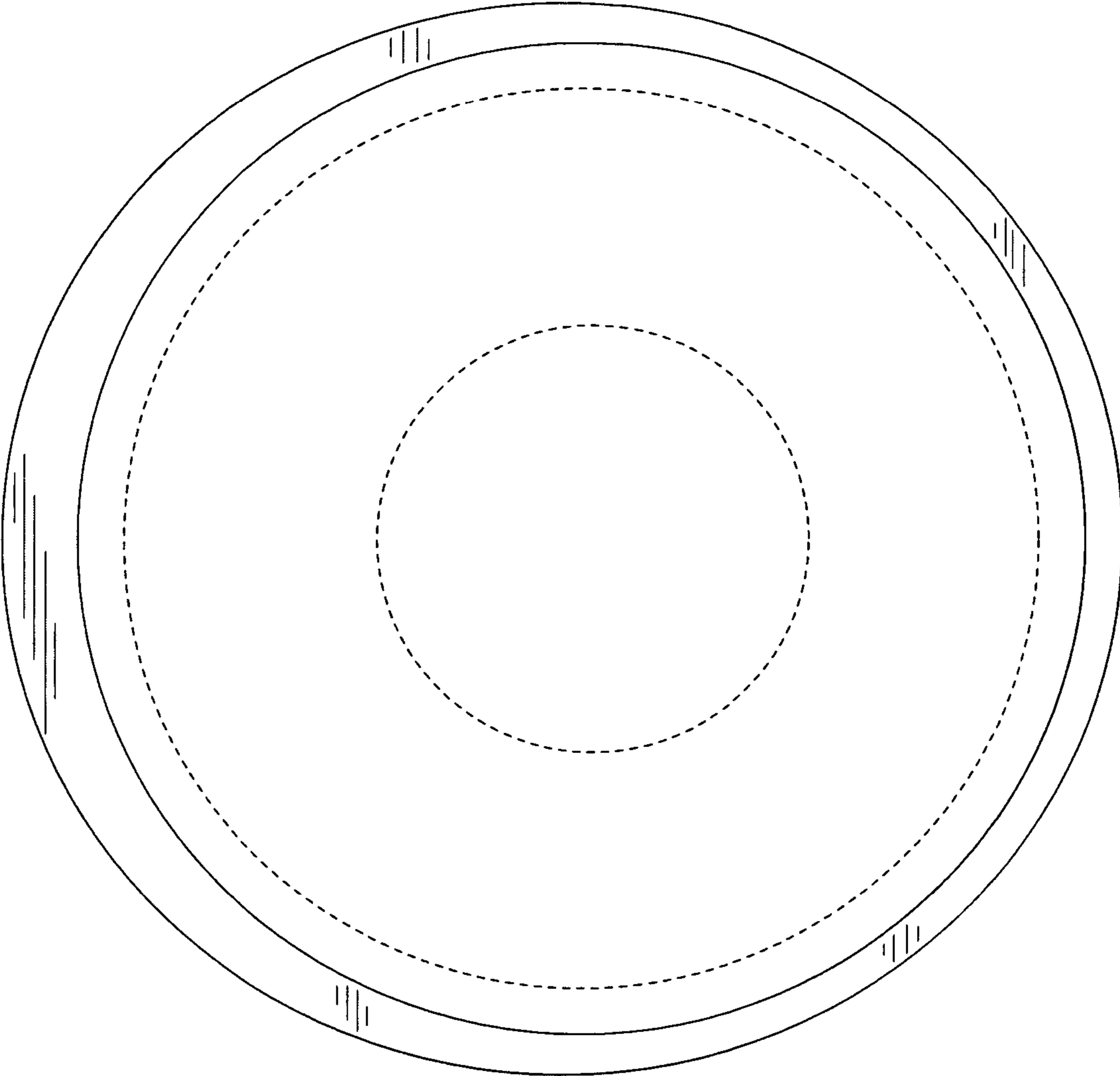


FIG.4

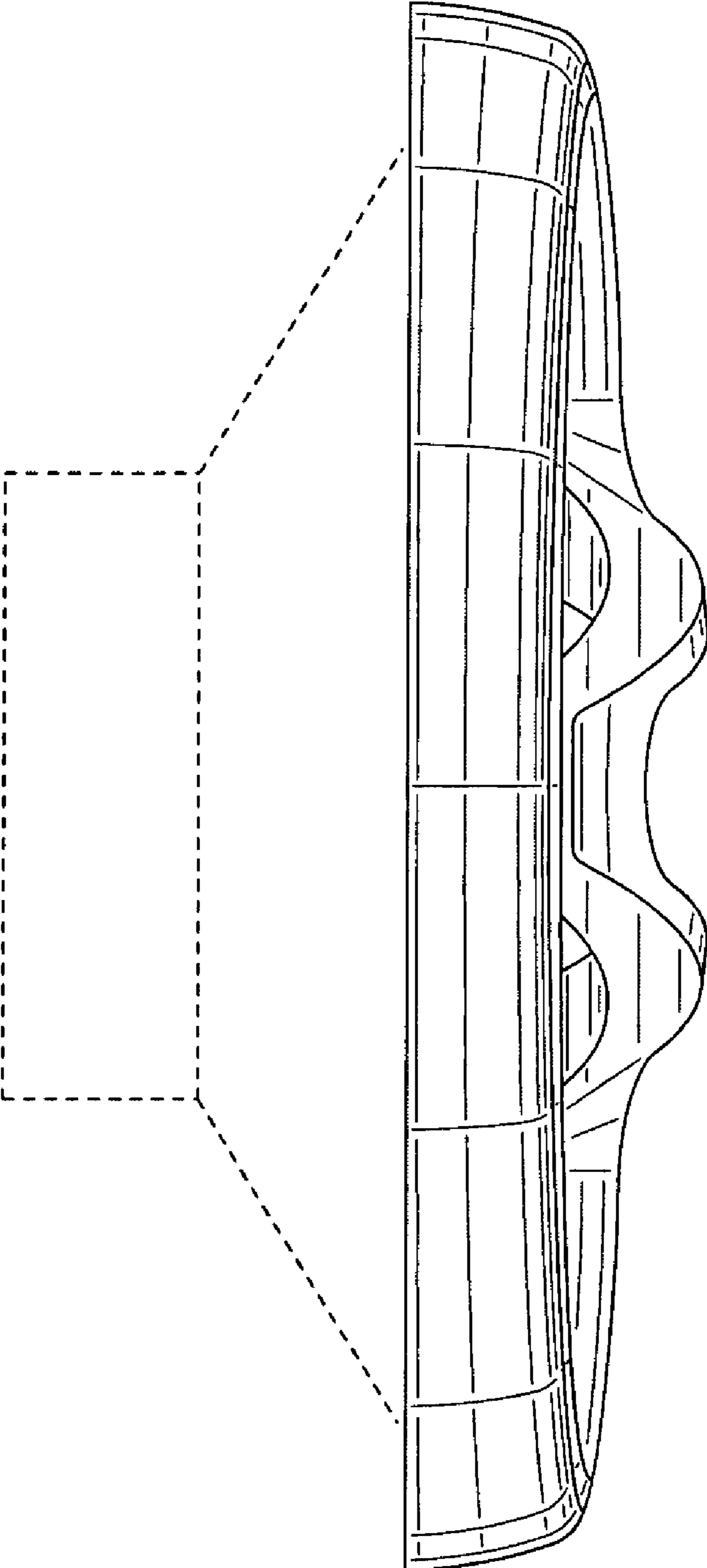


FIG.5

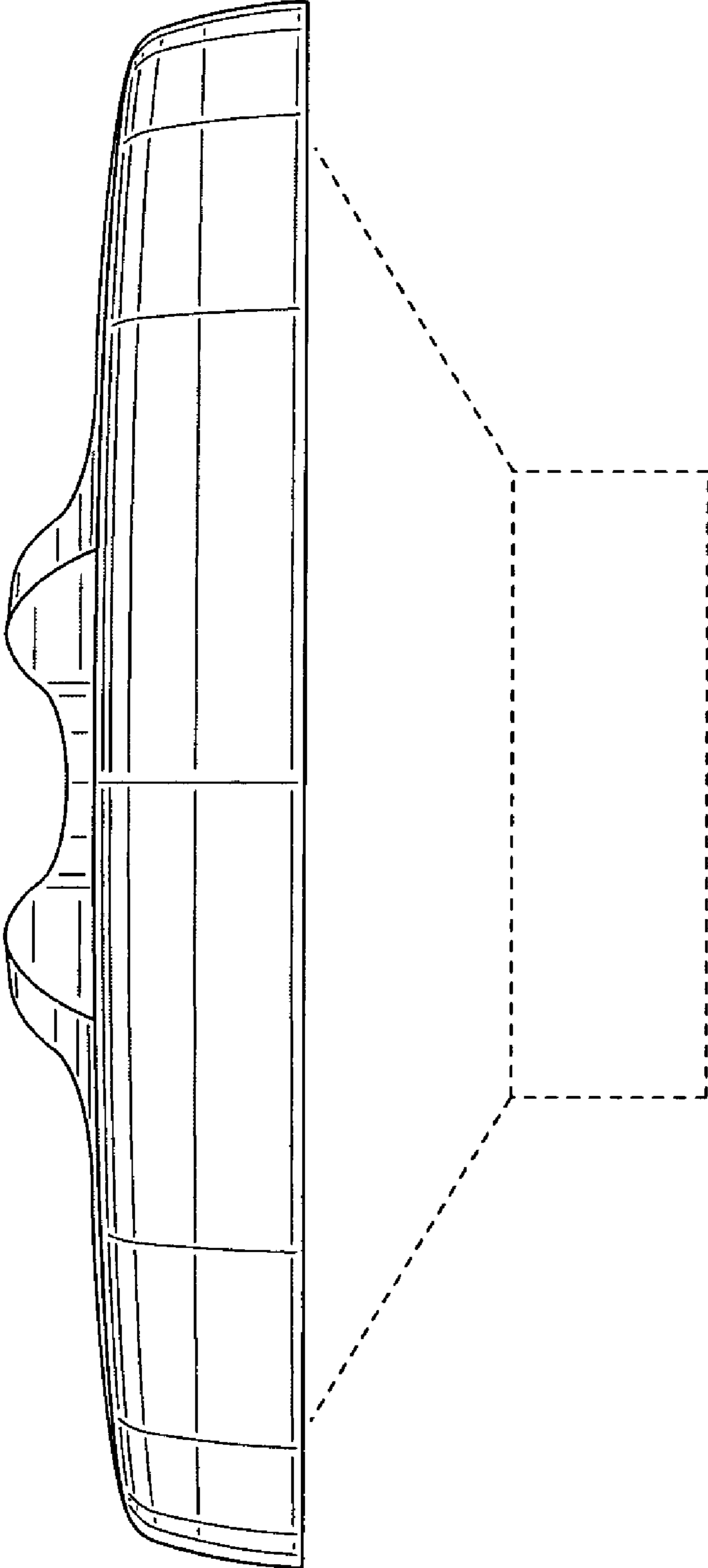


FIG.6

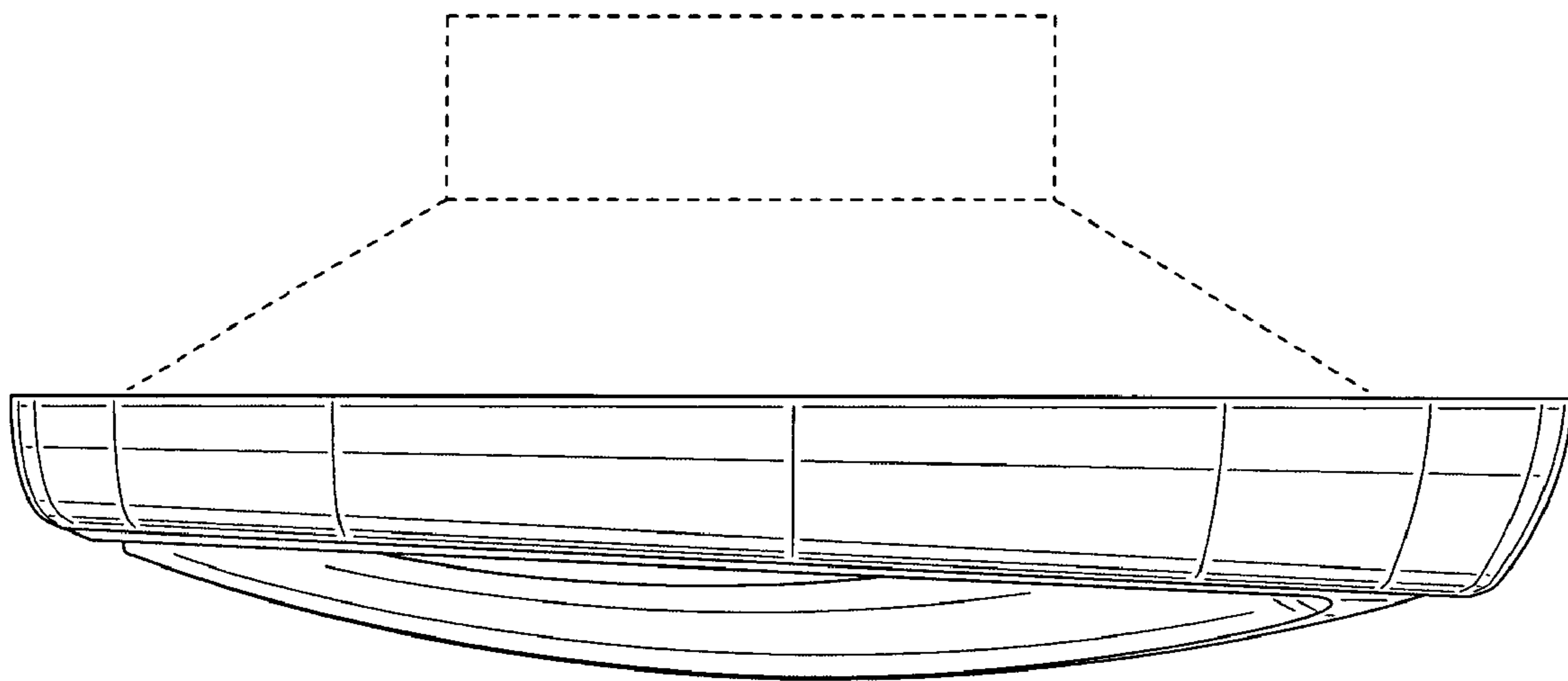


FIG.7

