



US00D582893S

(12) **United States Design Patent**  
**Tai**

(10) **Patent No.:** **US D582,893 S**

(45) **Date of Patent:** **\*\* Dec. 16, 2008**

(54) **SPEAKER**

(75) Inventor: **Hsin Wei Tai**, Shenzhen (CN)

(73) Assignee: **Okura USA, Inc.**, Doral, FL (US)

(\*\*) Term: **14 Years**

(21) Appl. No.: **29/266,833**

(22) Filed: **Sep. 28, 2006**

**Related U.S. Application Data**

(63) Continuation-in-part of application No. 29/262,178, filed on Jun. 27, 2006, now Pat. No. Des. 565,550, which is a continuation-in-part of application No. 29/221,087, filed on Jan. 11, 2005, now Pat. No. Des. 523,848.

(51) **LOC (8) Cl.** ..... **14-01**

(52) **U.S. Cl.** ..... **D14/216**

(58) **Field of Classification Search** ..... D14/204,  
D14/209-216; 181/143-144, 147-148, 150,  
181/157, 198-199, 151, 153; 381/300-302,  
381/306, 333, 345, 361-364, 386-388, 332,  
381/336

See application file for complete search history.

(56) **References Cited**

**U.S. PATENT DOCUMENTS**

D188,542 S 9/1960 Levy et al.

D225,069 S	11/1972	May et al.	
4,815,558 A	3/1989	Krainhofer	
D393,641 S	4/1998	Hai-Fu	
D432,118 S	10/2000	Honnert	
D448,017 S	9/2001	Hasbrook	
D475,992 S	6/2003	Tomotaro	
D484,116 S	12/2003	Proni	
D487,738 S *	3/2004	Iijima et al. ....	D14/216
D523,848 S	6/2006	Shing	

\* cited by examiner

*Primary Examiner*—Nanda Bondade  
(74) *Attorney, Agent, or Firm*—Malloy & Malloy, P.A.

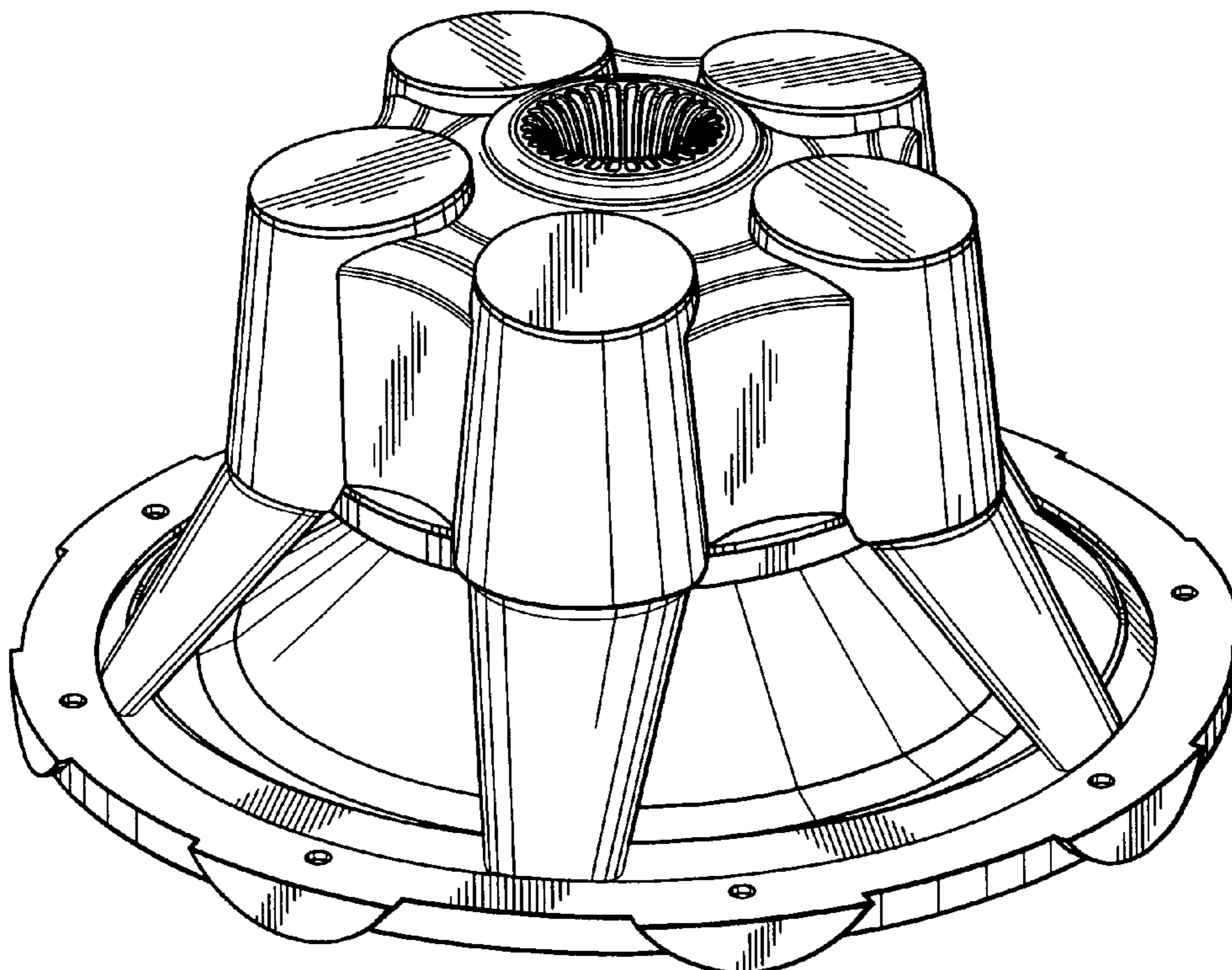
(57) **CLAIM**

The ornamental design for a speaker, as shown and described.

**DESCRIPTION**

FIG. 1 is a front perspective view illustrating my design for a speaker;  
FIG. 2 is a bottom view thereof;  
FIG. 3 is a left side view thereof;  
FIG. 4 is a front view thereof;  
FIG. 5 is a right side view thereof;  
FIG. 6 is a rear view thereof; and,  
FIG. 7 is a top plan view thereof.

**1 Claim, 6 Drawing Sheets**



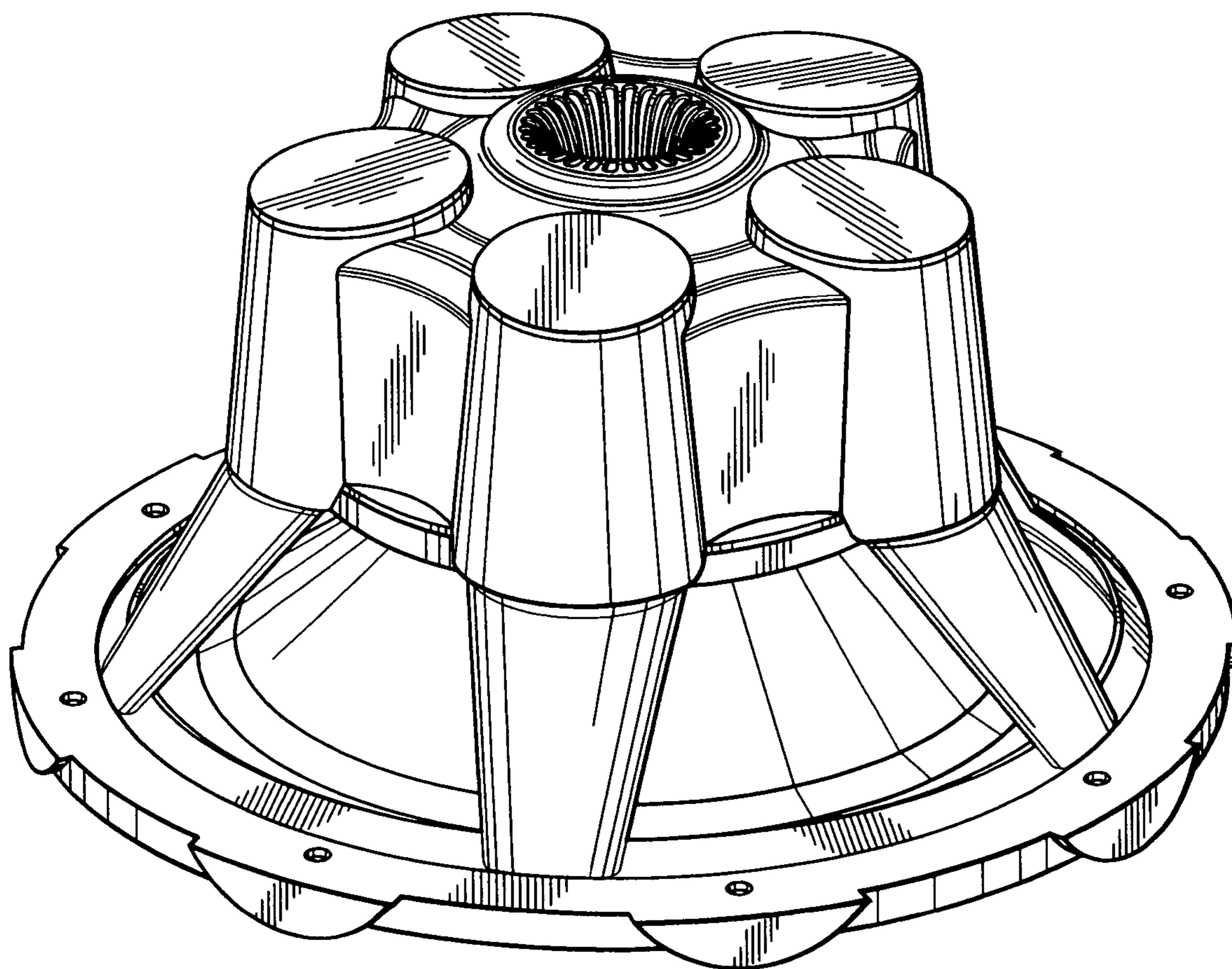


FIG. 1

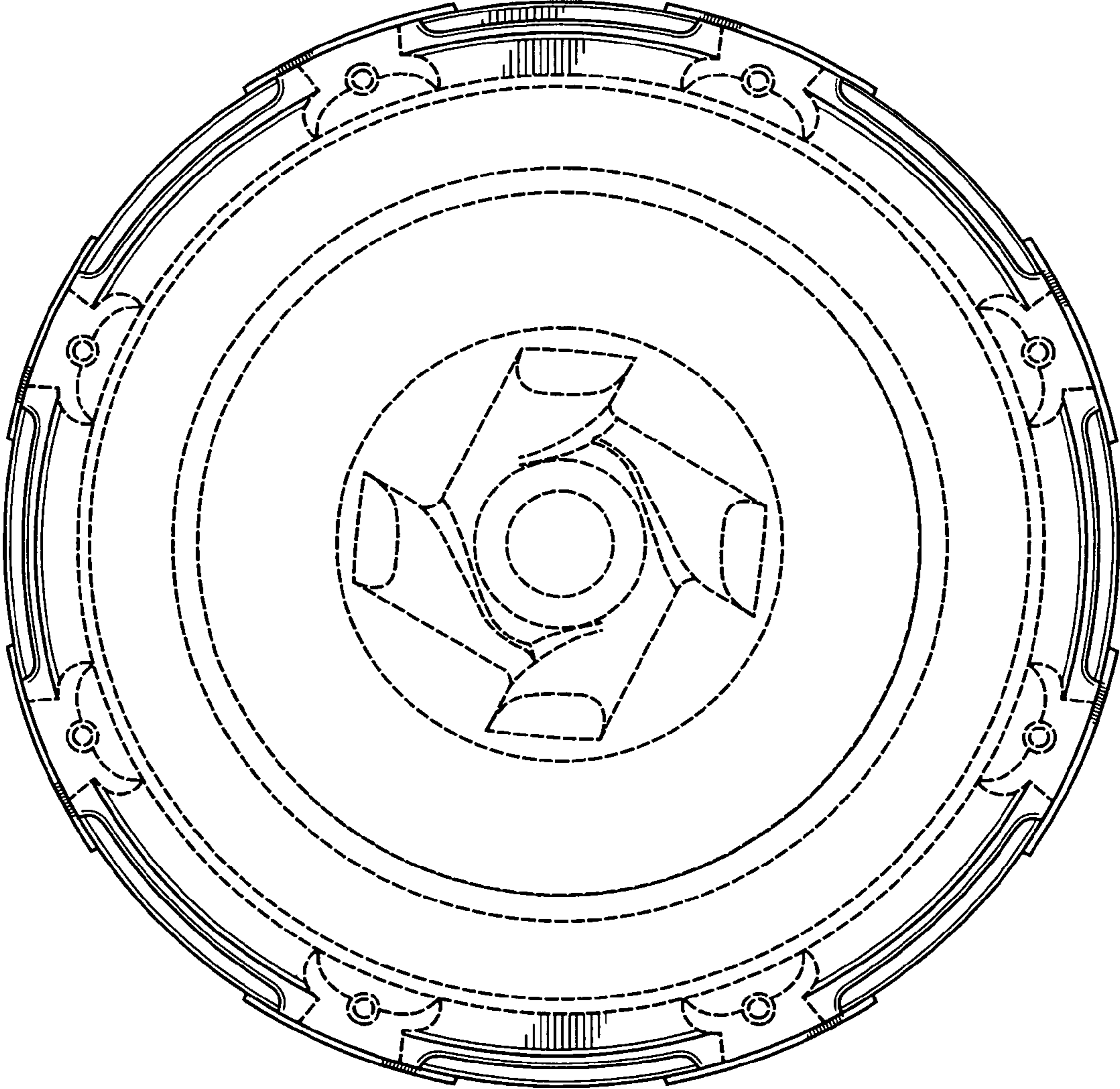


FIG. 2



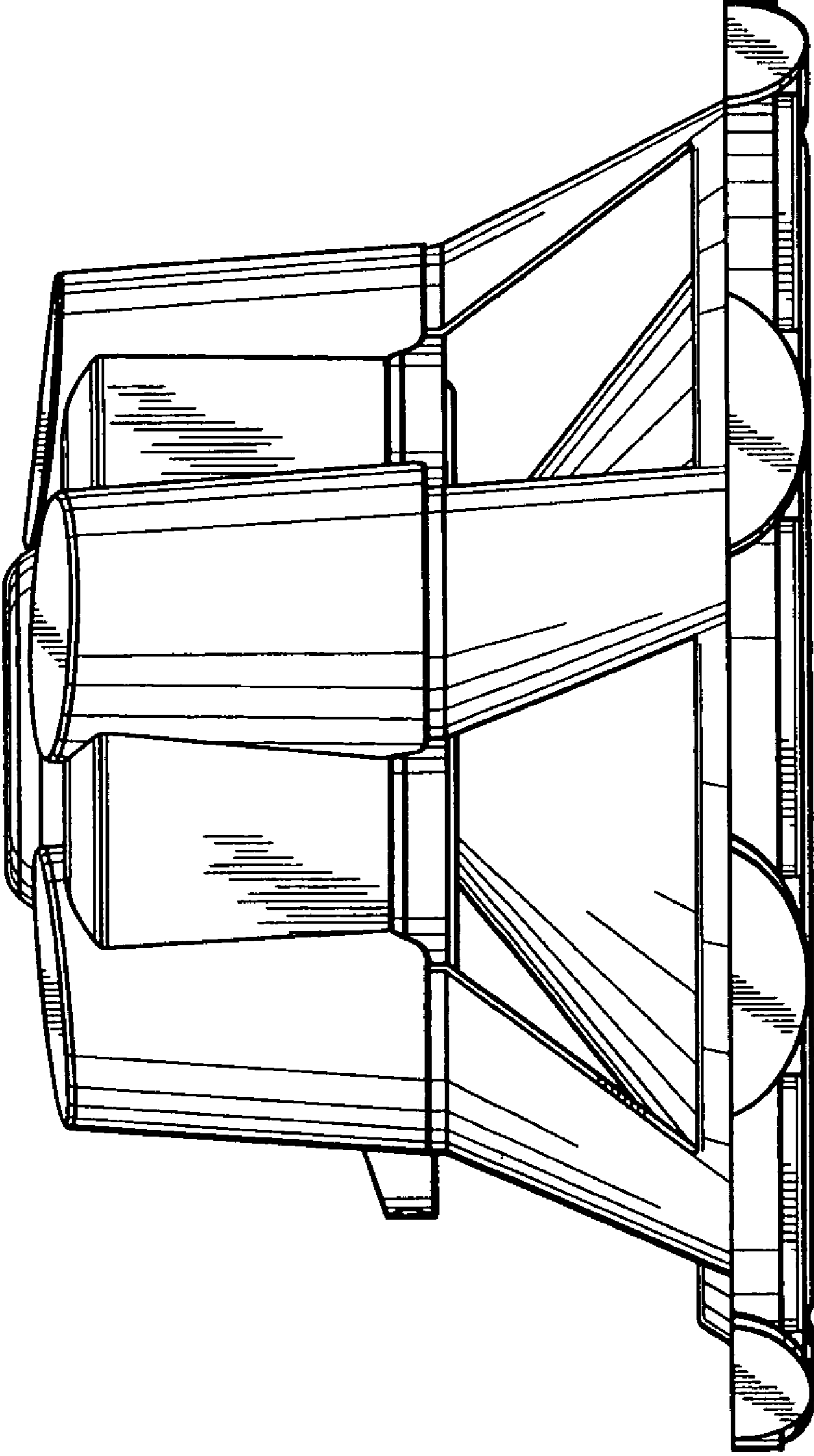


FIG. 3

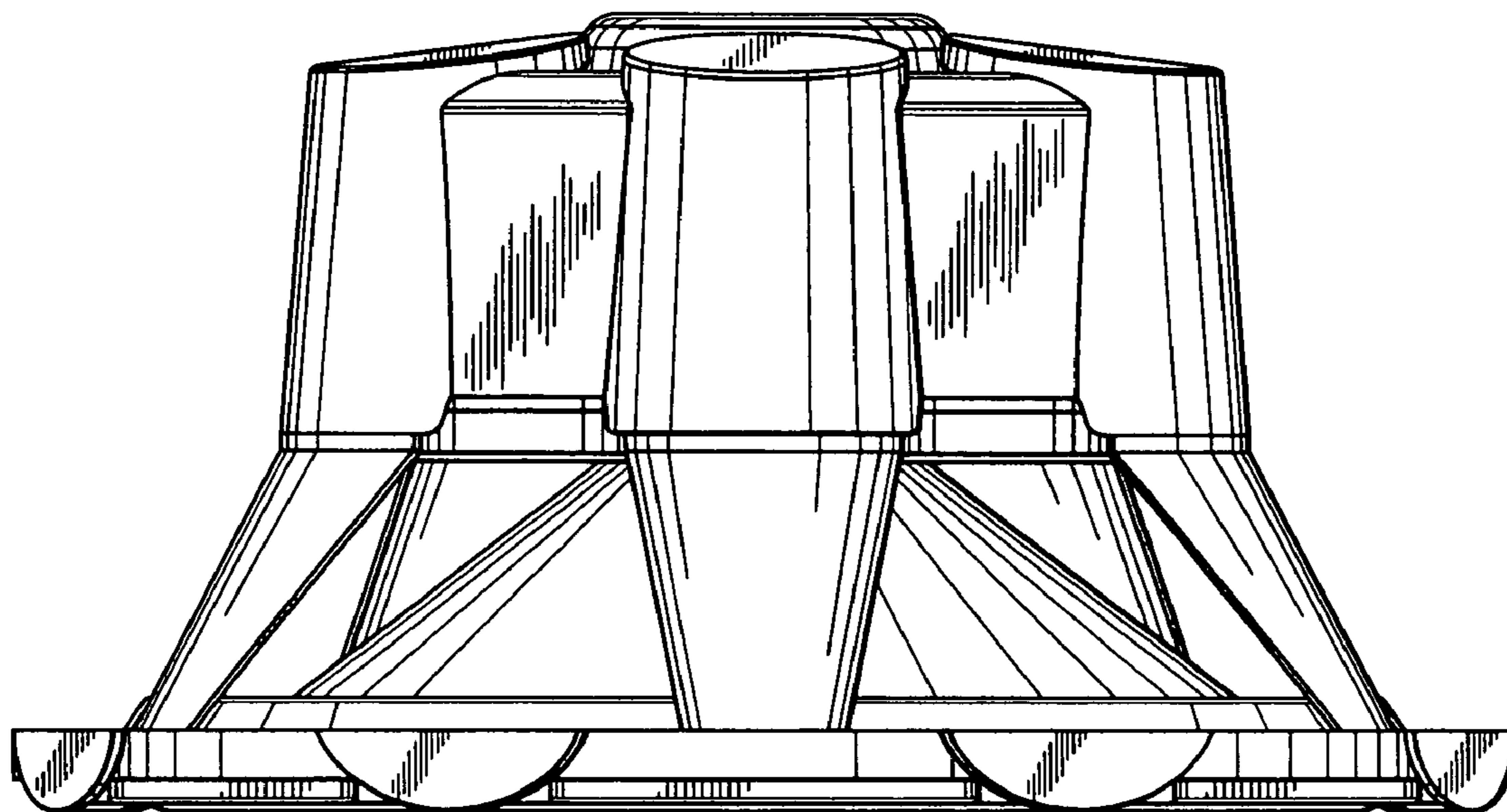


FIG. 4

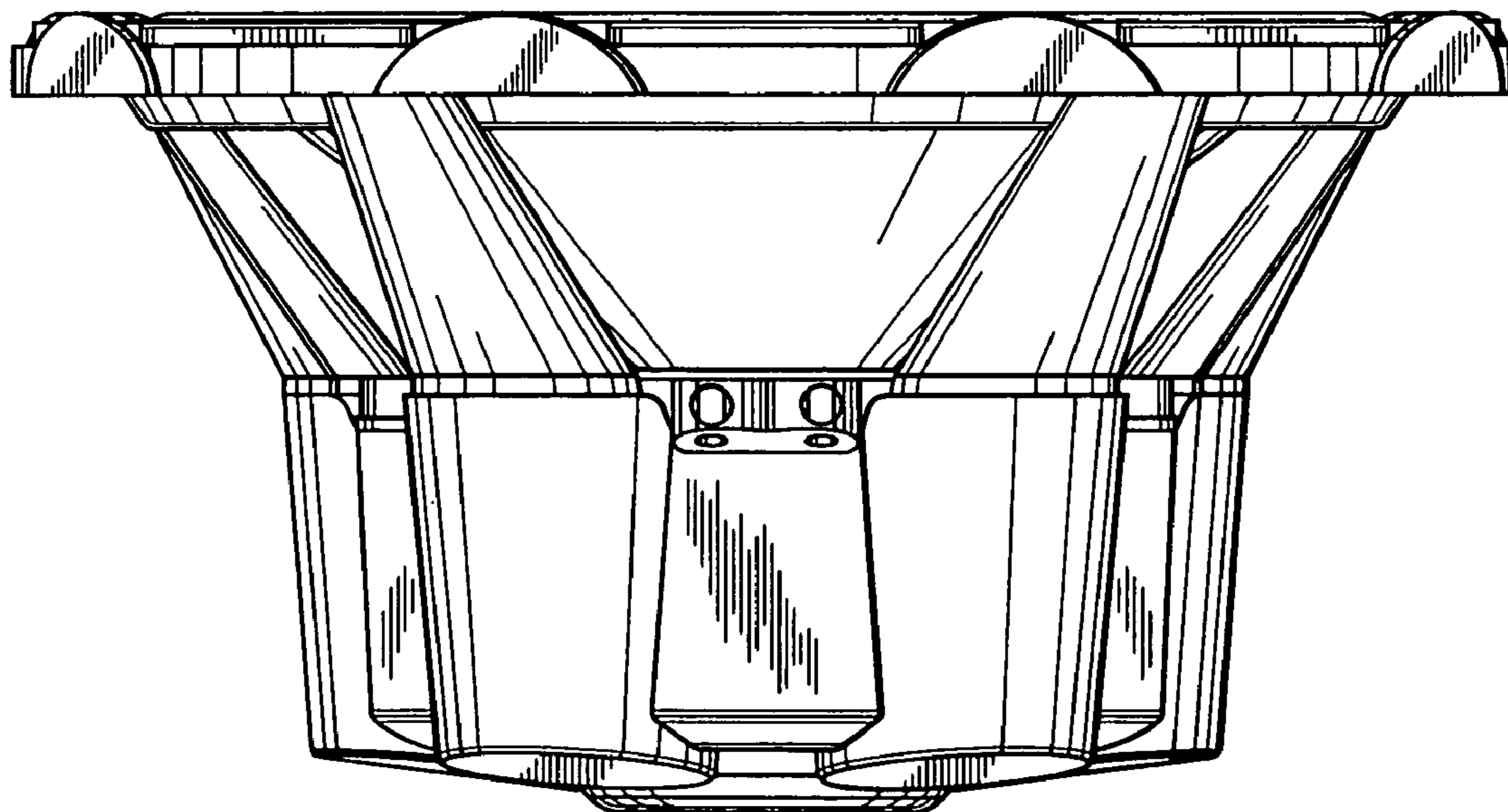


FIG. 6

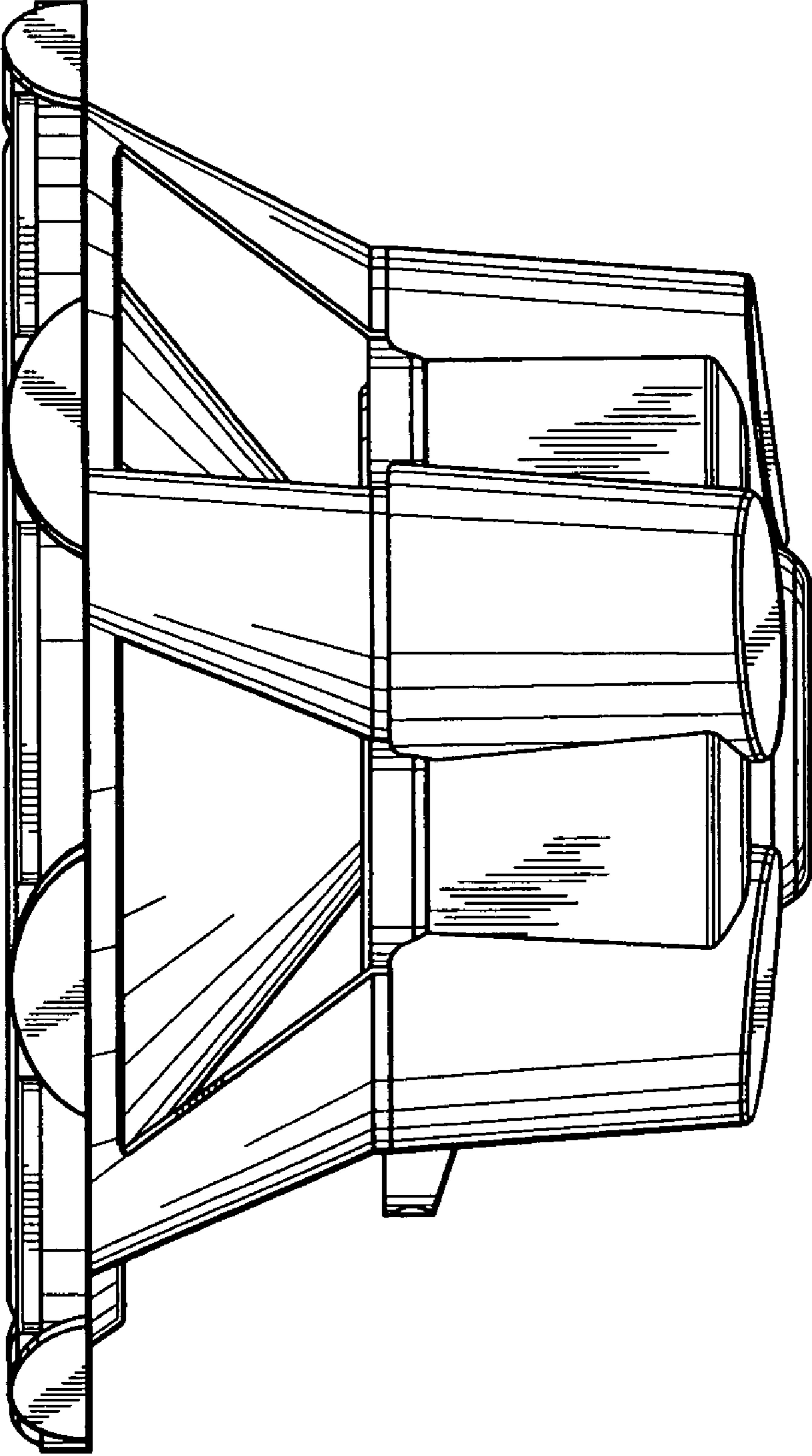


FIG. 5

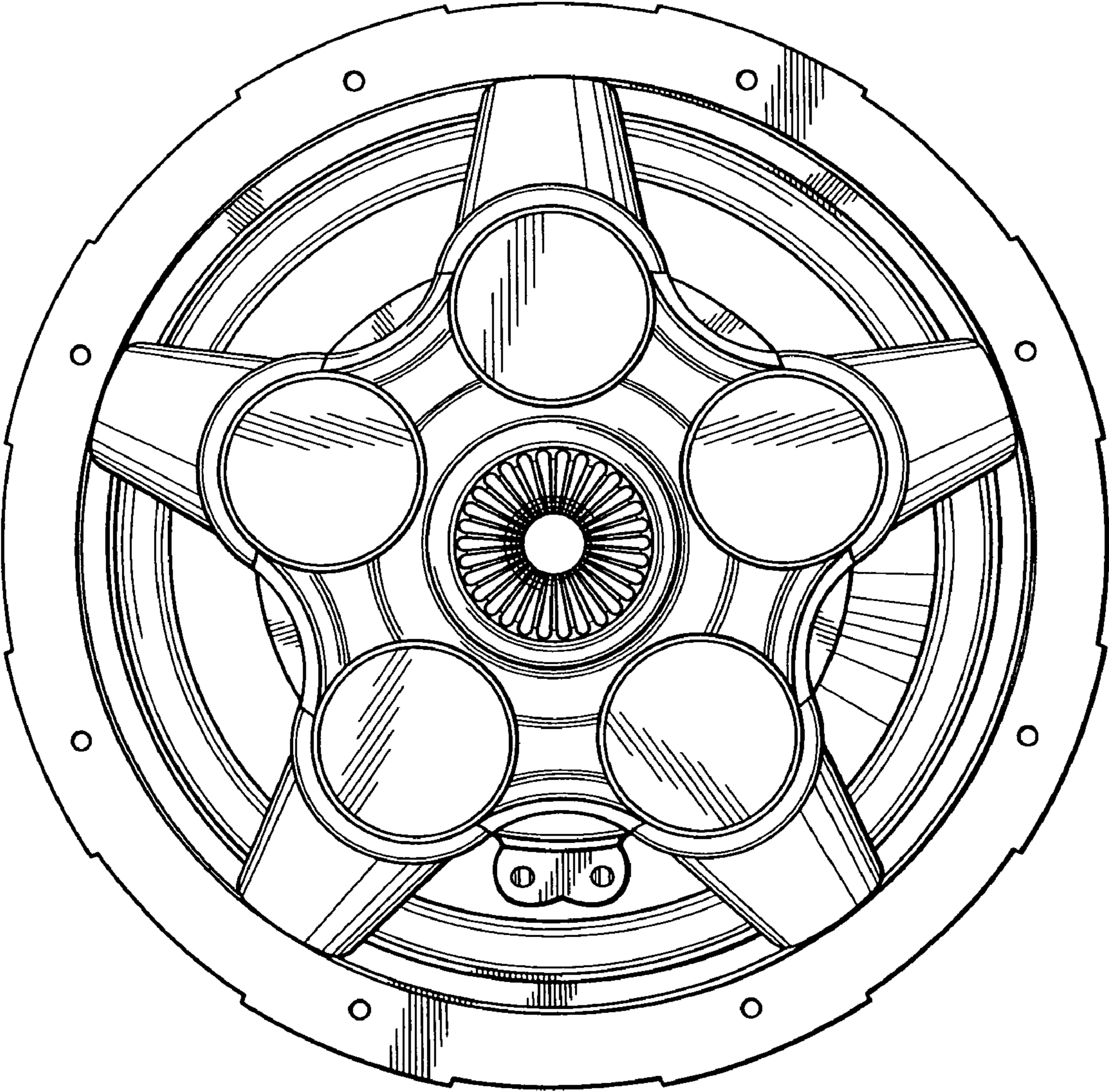


FIG. 7