



US00D582891S

(12) **United States Design Patent**  
**Khoo et al.**

(10) **Patent No.:** **US D582,891 S**

(45) **Date of Patent:** **\*\* Dec. 16, 2008**

(54) **DOCKING LOUDSPEAKER FOR MEDIA PLAYER**

D532,773 S \* 11/2006 Langberg et al. .... D14/214

\* cited by examiner

(75) Inventors: **Soo Beng Damien Khoo**, Singapore (SG); **Mei San Gigi Cho**, Singapore (SG); **Klan Choon Janie Lim**, Singapore (SG)

*Primary Examiner*—Nanda Bondade  
(74) *Attorney, Agent, or Firm*—Kennedy Koblin

(73) Assignee: **Creative Technology Ltd**, Singapore (SG)

(57) **CLAIM**

The ornamental design for a docking loudspeaker for media player, substantially as shown and described.

(\*\*) Term: **14 Years**

**DESCRIPTION**

(21) Appl. No.: **29/295,936**

FIG. 1 is a perspective view of a docking loudspeaker for media player in accordance with the present design;

(22) Filed: **Oct. 10, 2007**

FIG. 2 is a front view of the docking loudspeaker for media player shown in FIG. 1;

(51) **LOC (8) Cl.** ..... **14-01**

FIG. 3 is a rear view of the docking loudspeaker for media player shown in FIG. 1;

(52) **U.S. Cl.** ..... **D14/214**; D14/496

FIG. 4 is a left side view of the docking loudspeaker for media player shown in FIG. 1;

(58) **Field of Classification Search** ..... D14/204,  
D14/209–217, 496, 168, 356, 434, 171; 181/143–144,  
181/147–148, 150, 157, 198–199, 151, 153;  
381/300–302, 306, 333, 345, 361–364, 386–388,  
381/332, 336

FIG. 5 is a right side view of the docking loudspeaker for media player shown in FIG. 1;

See application file for complete search history.

FIG. 6 is a top view of the docking loudspeaker for media player shown in FIG. 1; and,

(56) **References Cited**

FIG. 7 is a bottom view of the docking loudspeaker for media player shown in FIG. 1.

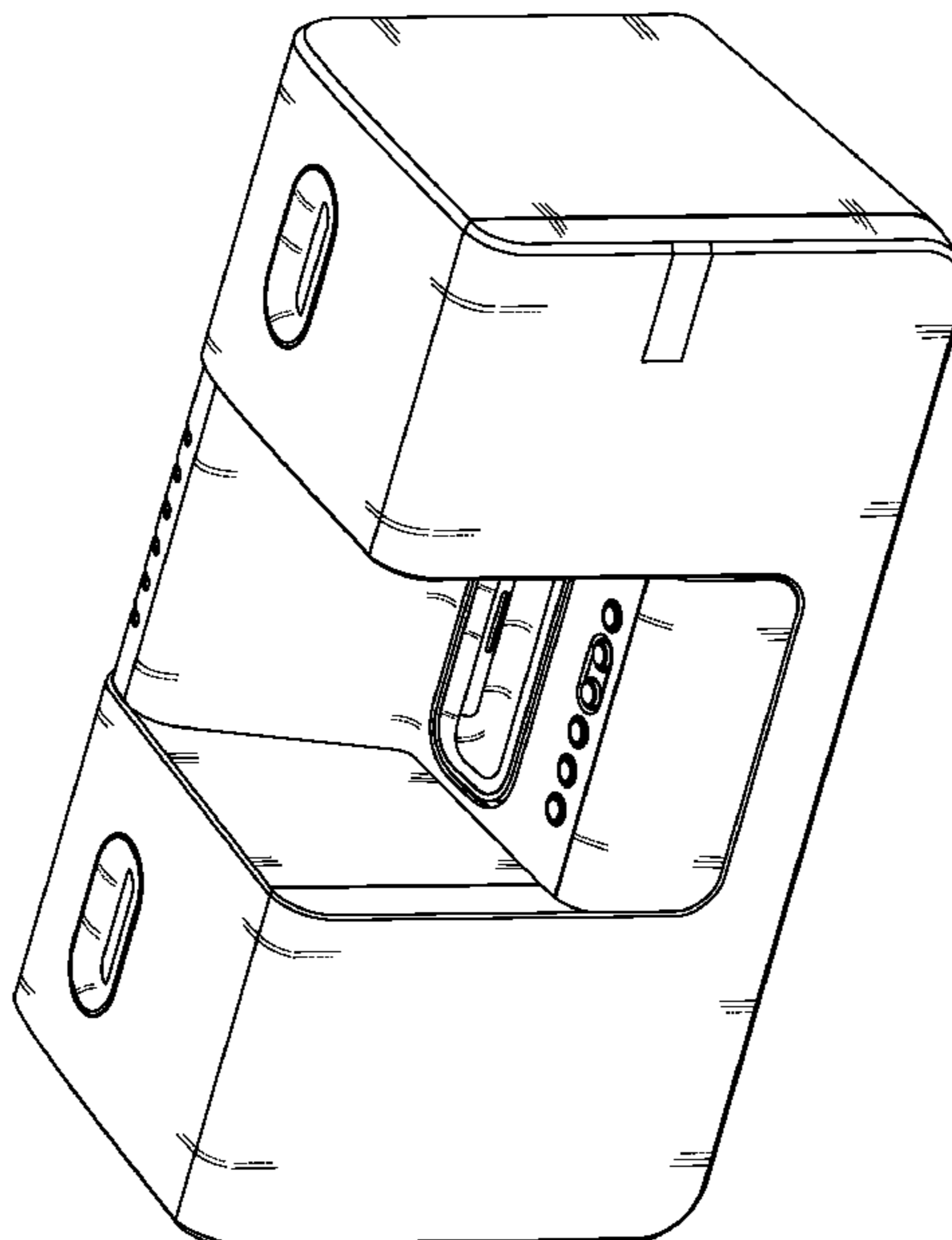
**U.S. PATENT DOCUMENTS**

FIGS. 3 and 7 are on an enlarged scale.

- D384,069 S \* 9/1997 Kokkinis ..... D14/168
- D385,561 S \* 10/1997 Audoin ..... D14/171
- D491,937 S \* 6/2004 Retourne et al. .... D14/356
- D523,419 S \* 6/2006 Joseph ..... D14/214

The broken line showing of the phillips screw heads in FIGS. 3 and 7 is for illustrative purposes only and forms no part of the claimed design.

**1 Claim, 6 Drawing Sheets**



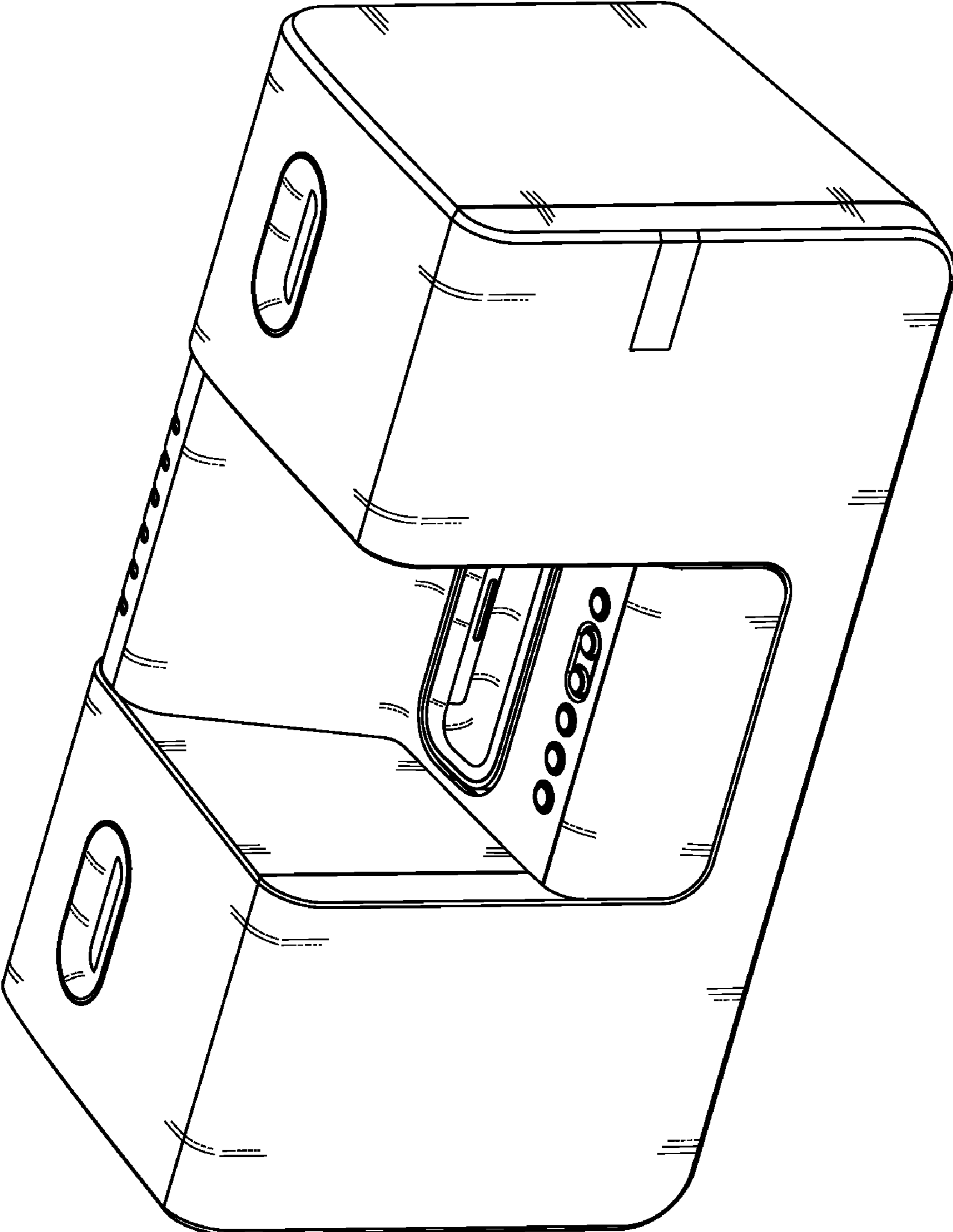


FIG. 1

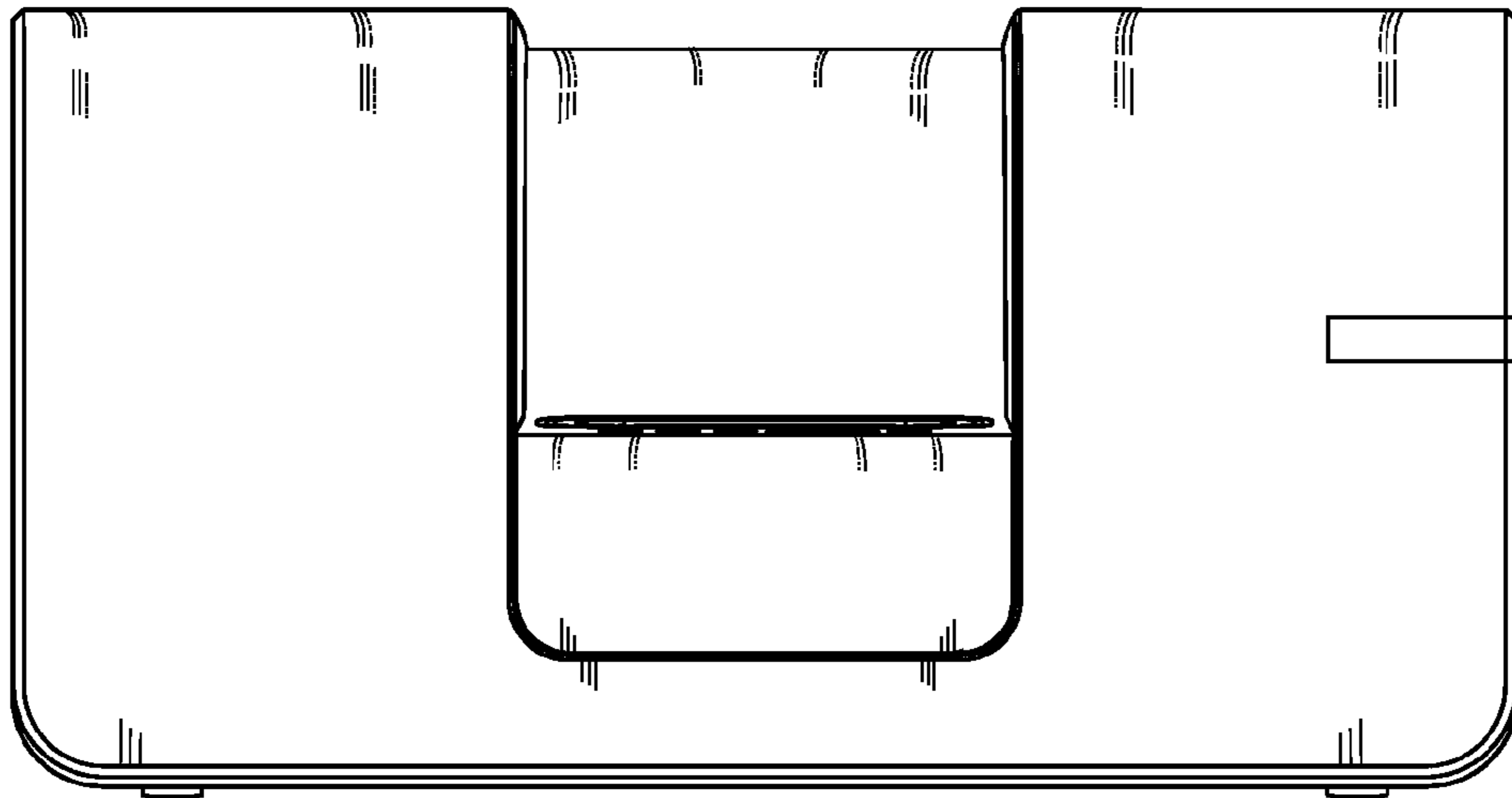


FIG. 2

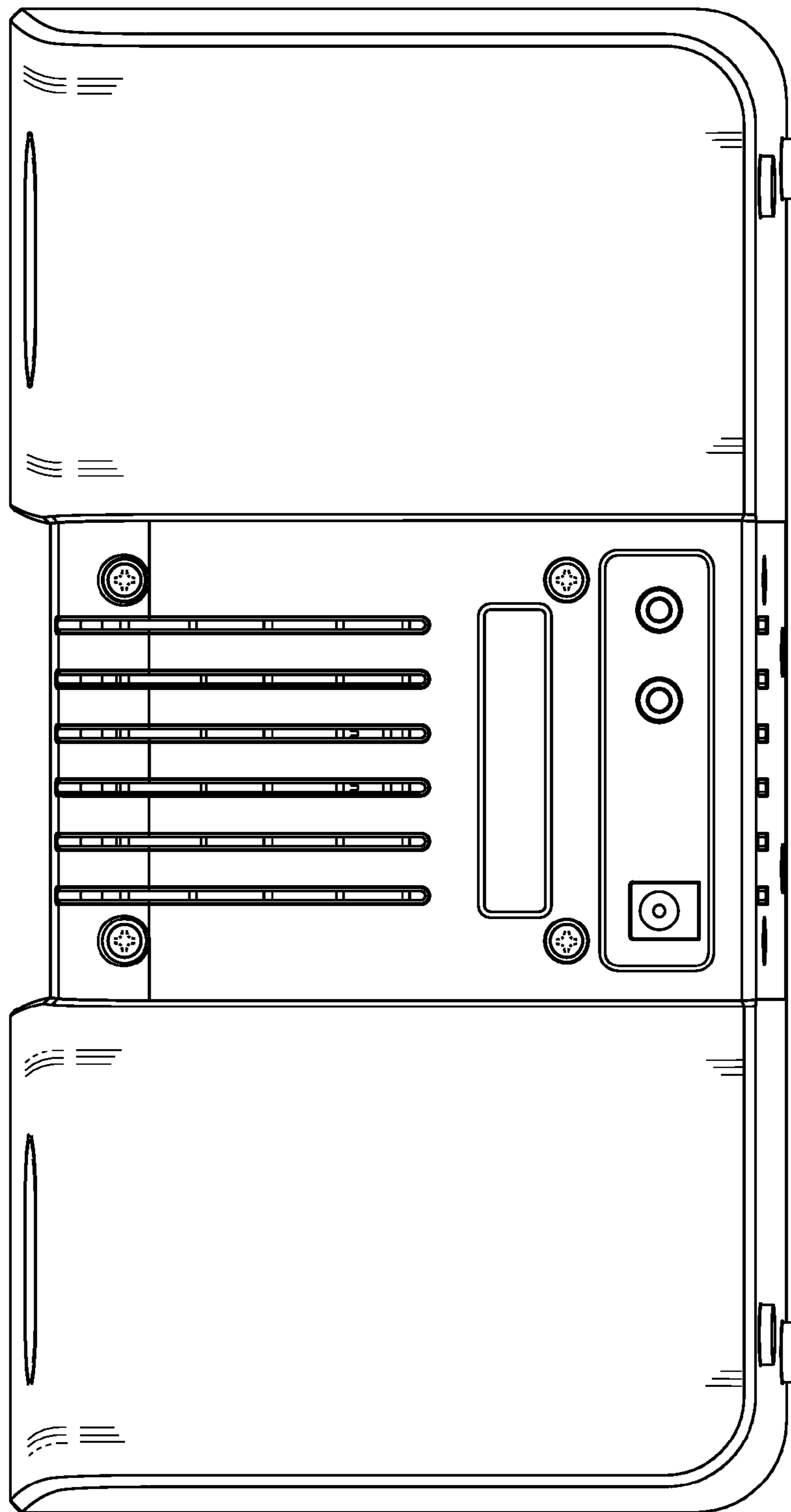


FIG. 3

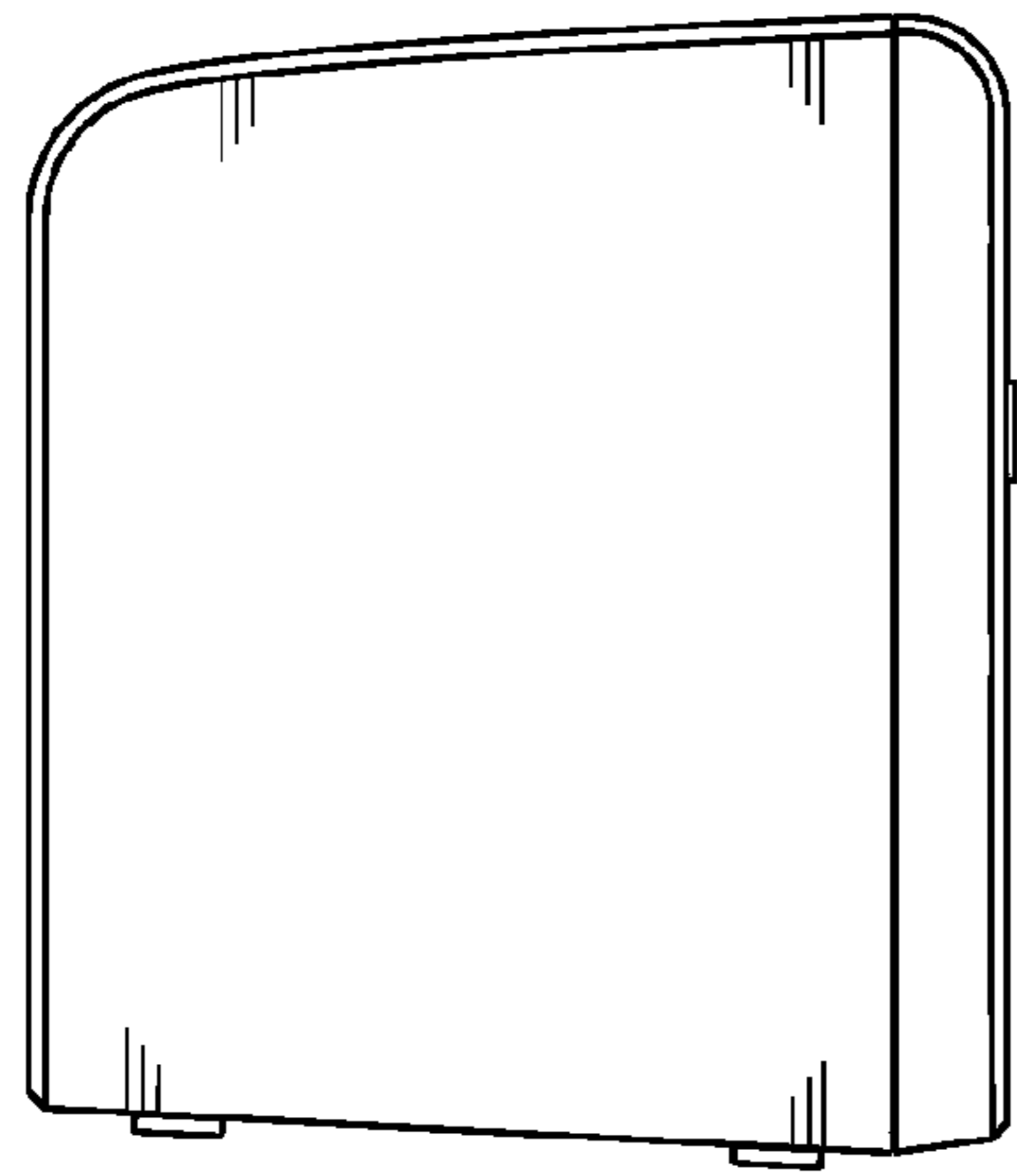


FIG. 4

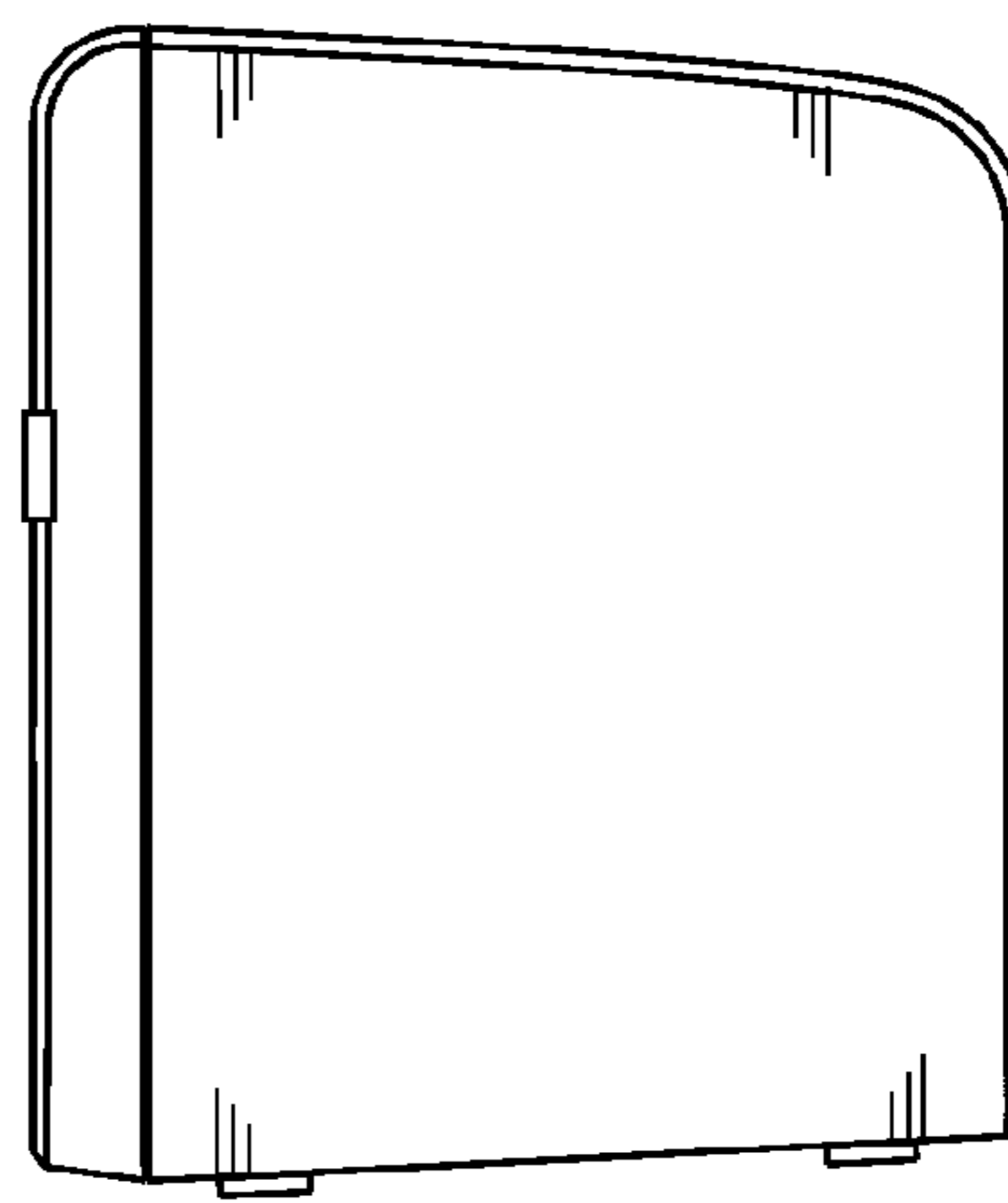


FIG. 5

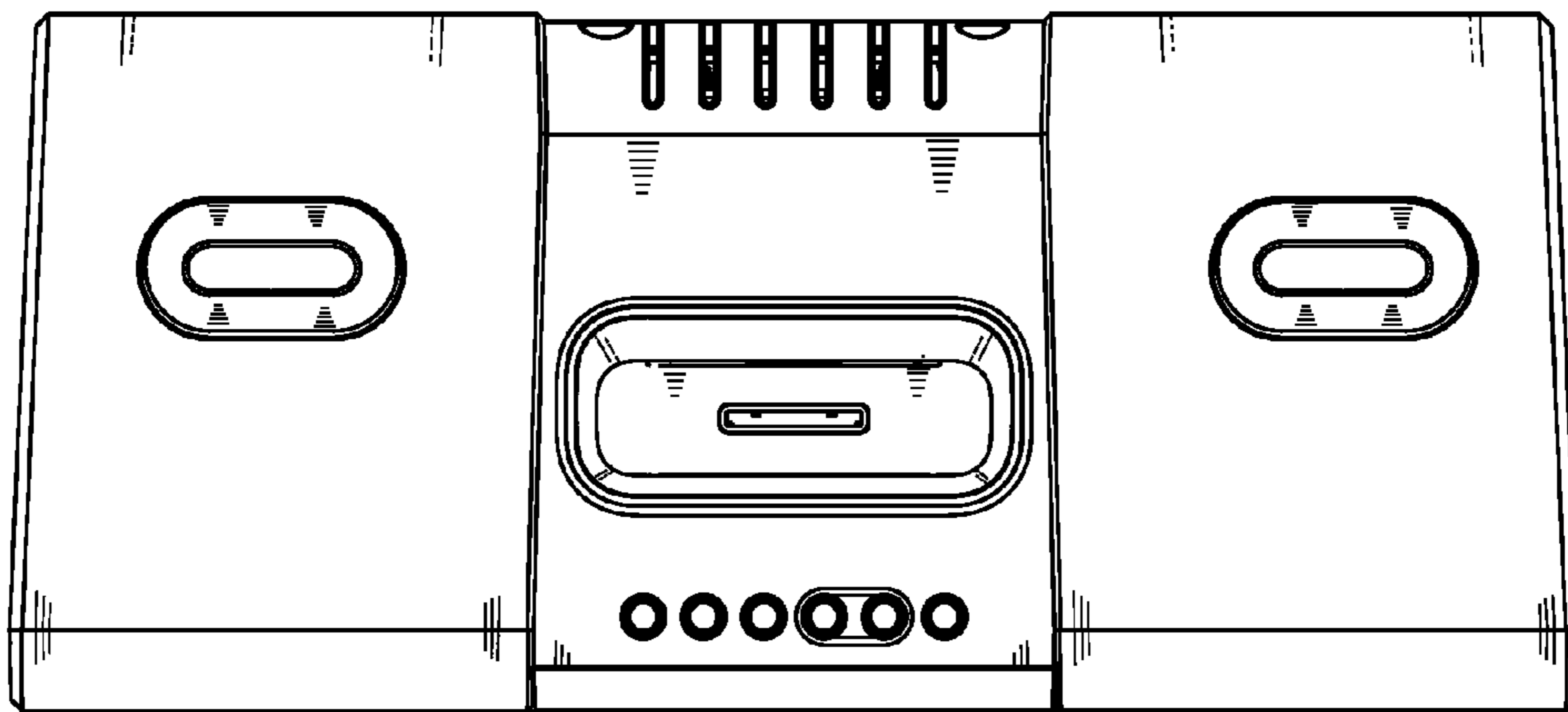


FIG. 6

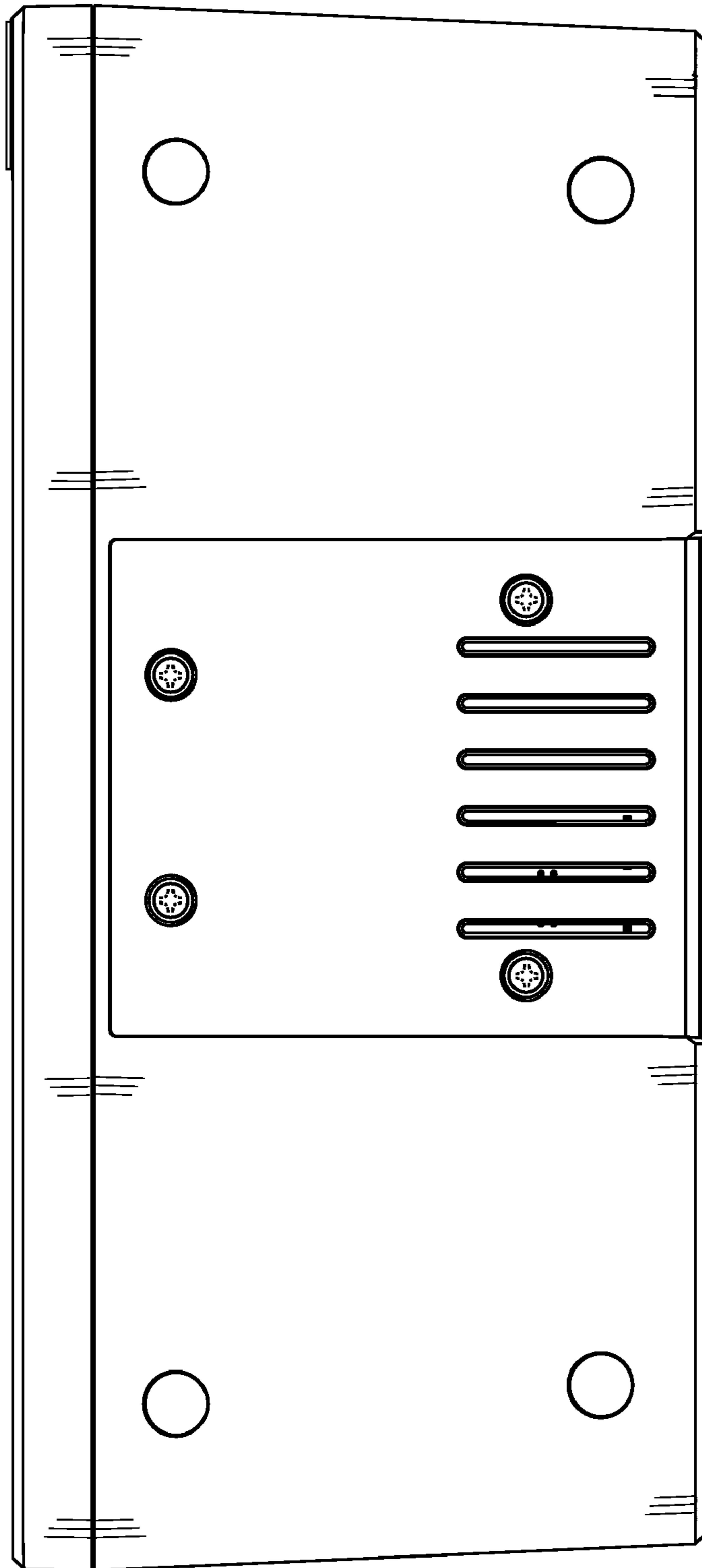


FIG. 7