



US00D582888S

(12) **United States Design Patent**  
**Skurdal**

(10) **Patent No.:** **US D582,888 S**

(45) **Date of Patent:** **\*\* Dec. 16, 2008**

(54) **AUDIO SUPPLY APPARATUS**

(75) Inventor: **Andrew Skurdal**, Avenel, NJ (US)

(73) Assignee: **SDI Technologies Inc.**, Rahway, NJ (US)

(\*\*) Term: **14 Years**

(21) Appl. No.: **29/251,097**

(22) Filed: **Jan. 4, 2006**

(51) **LOC (8) Cl.** ..... **14-03**

(52) **U.S. Cl.** ..... **D14/195**

(58) **Field of Classification Search** ..... D14/137,  
D14/155, 156, 168, 170, 171, 193-198, 217,  
D14/496, 265, 188; D10/1, 2, 15; 312/7.1;  
369/6-12; 455/91, 95, 100, 128, 344, 347,  
455/350, 351

See application file for complete search history.

(56) **References Cited**

**U.S. PATENT DOCUMENTS**

D245,419 S *	8/1977	Miyamoto	.....	D14/171
D341,141 S *	11/1993	Nara	.....	D14/168
D475,301 S *	6/2003	Kiu	.....	D10/15
D491,167 S *	6/2004	Yokoyama	.....	D14/215
D504,415 S *	4/2005	Lum	.....	D14/216
D505,409 S *	5/2005	Hirano	.....	D14/168

D514,083 S *	1/2006	Schultz	.....	D14/168
D524,798 S *	7/2006	Koizumi	.....	D14/215
D527,722 S *	9/2006	Yeh	.....	D14/215
D542,776 S *	5/2007	Dayan	.....	D14/215
D553,611 S *	10/2007	Gan	.....	D14/214

\* cited by examiner

*Primary Examiner*—Keli L. Acker

(74) *Attorney, Agent, or Firm*—Ostrolenk, Faber, Gerb & Soffen, LLP

(57) **CLAIM**

The ornamental design for a audio supply apparatus, as shown and described.

**DESCRIPTION**

FIG. 1 is a front view of an audio supply apparatus showing my new design;

FIG. 2 is a rear view thereof;

FIG. 3 is a top view thereof;

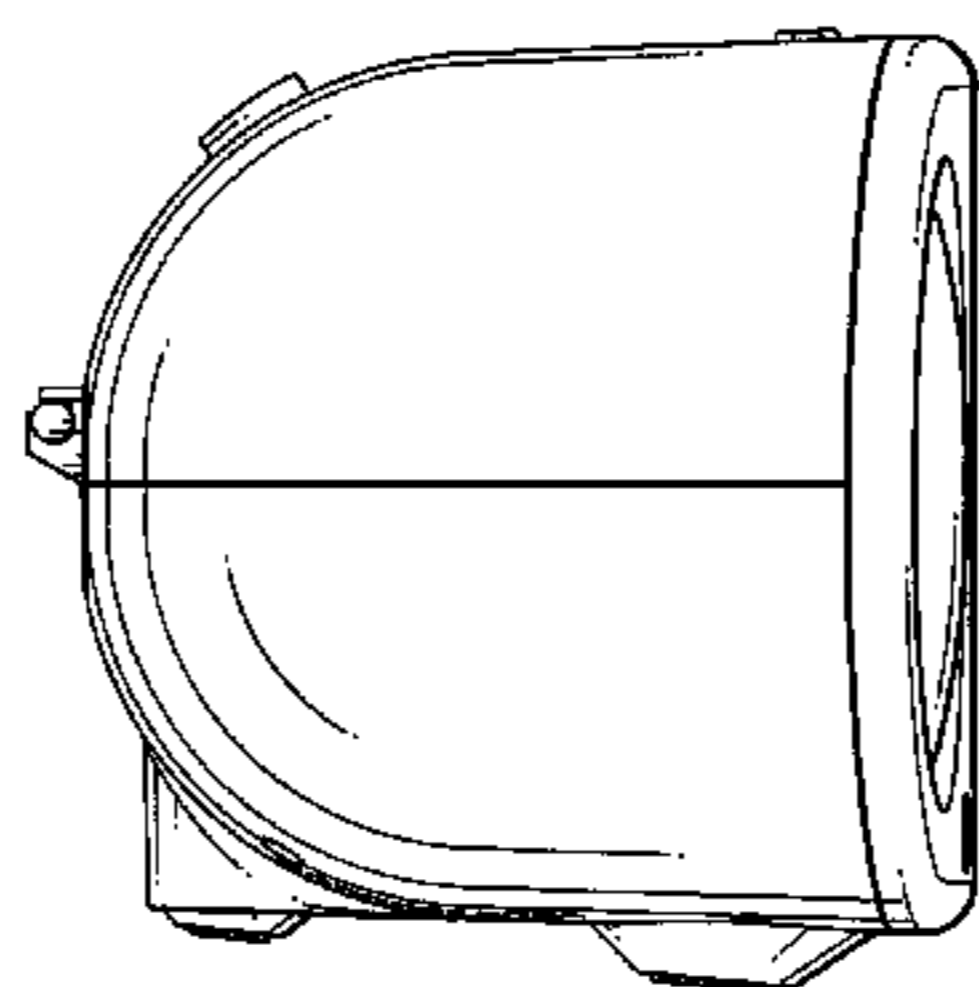
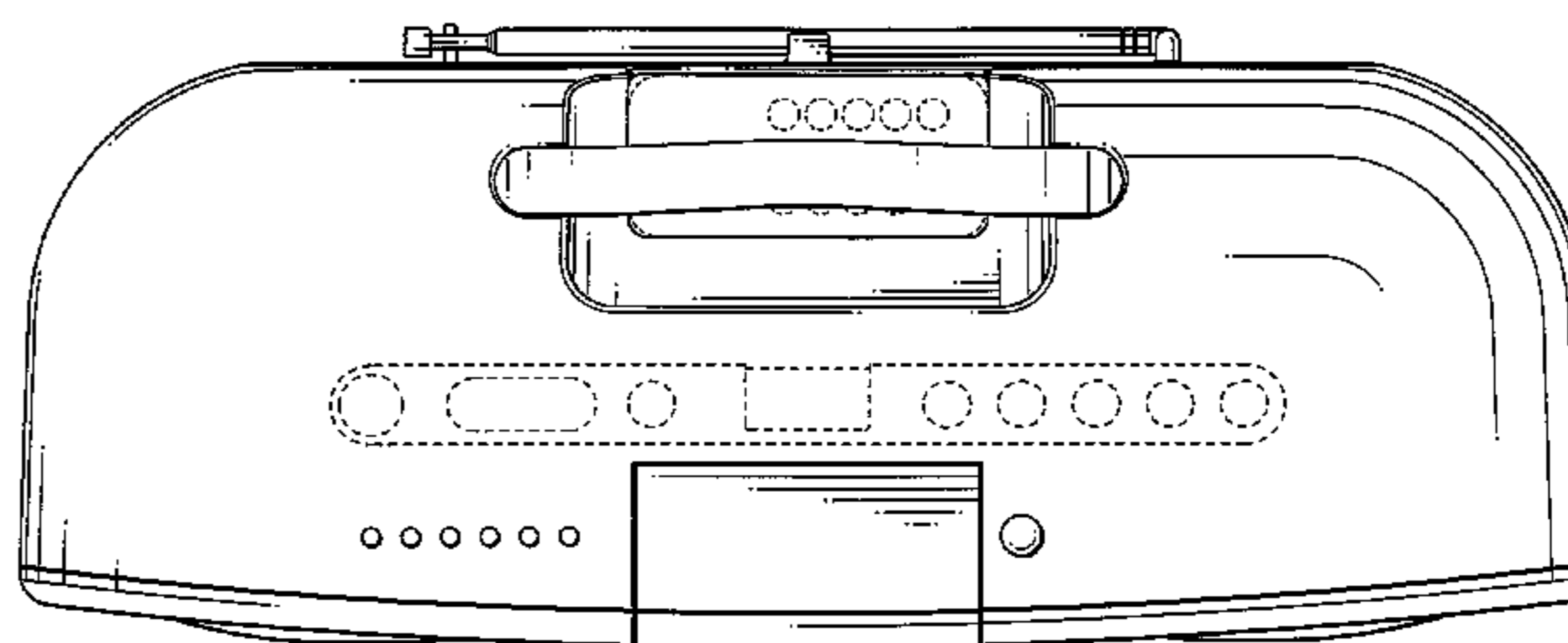
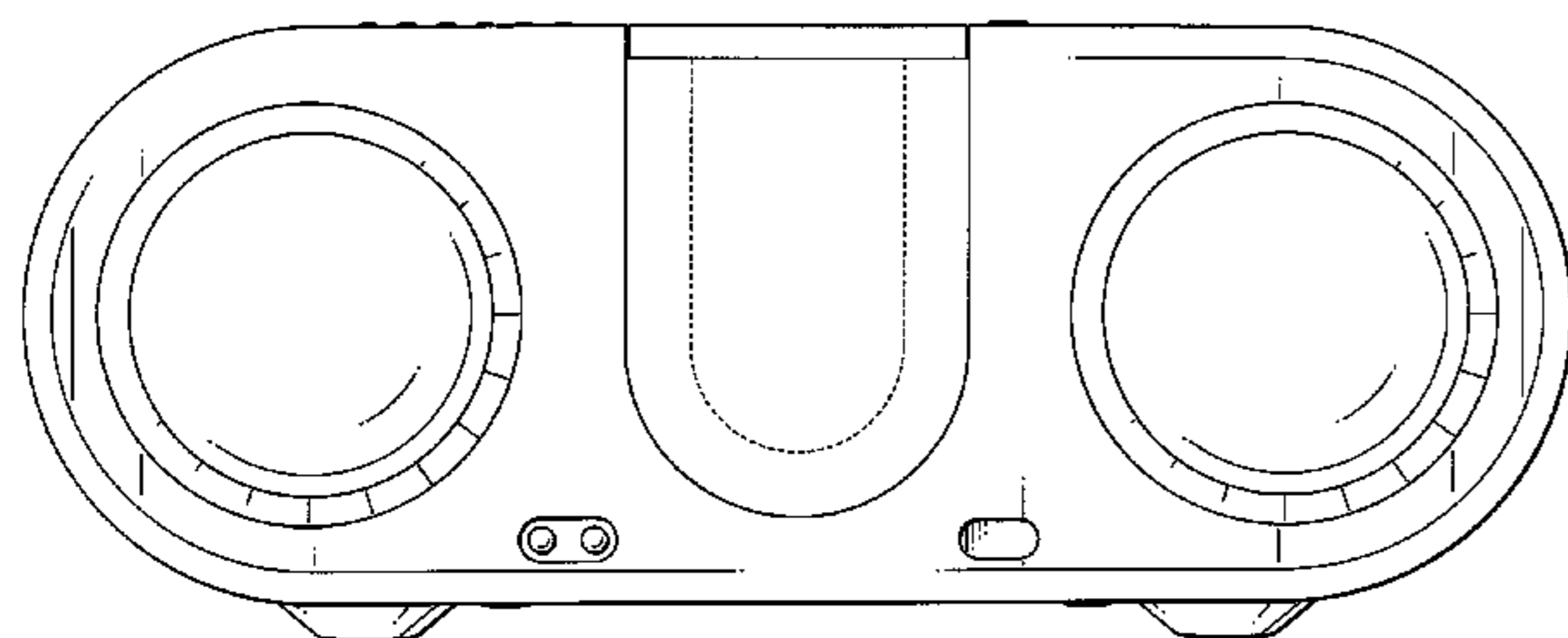
FIG. 4 is a bottom view thereof;

FIG. 5 is a left side view thereof; and,

FIG. 6 is a right side view thereof.

The broken lines illustrate environmental structure and form no part of the claimed design.

**1 Claim, 5 Drawing Sheets**



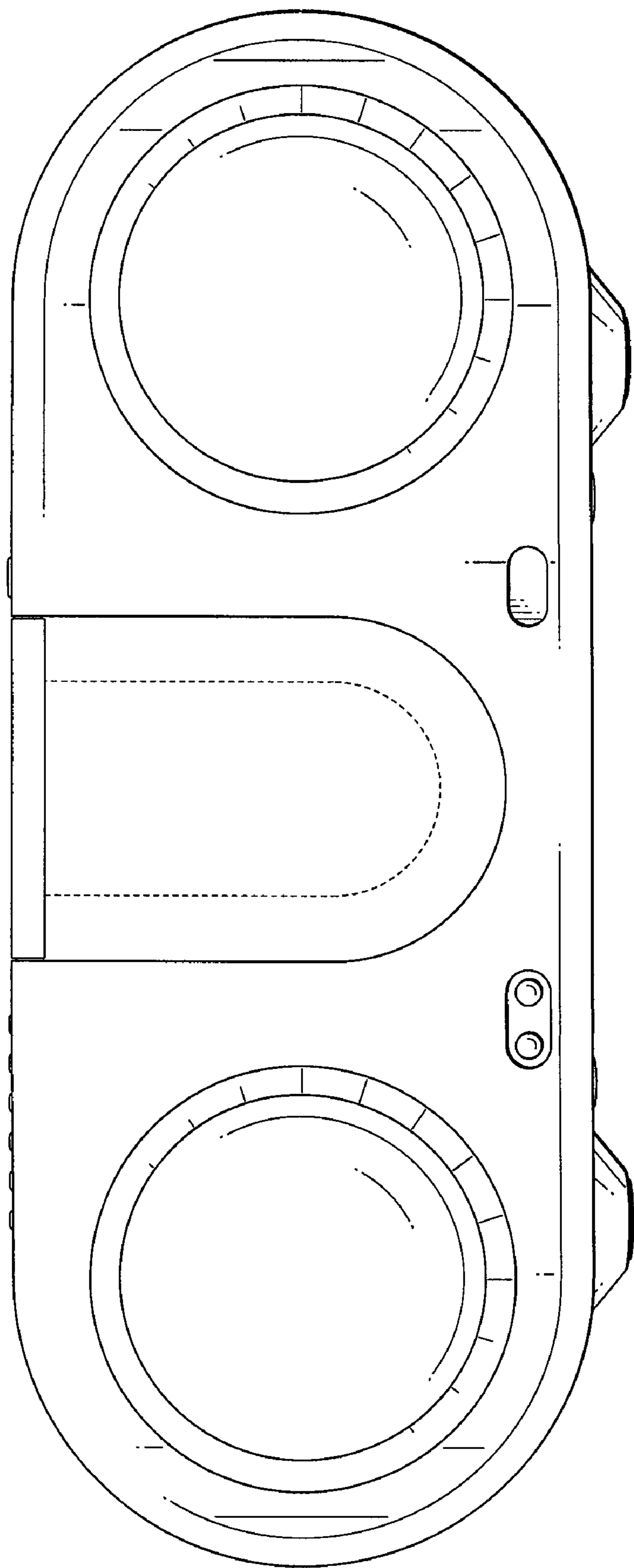


FIG. 1

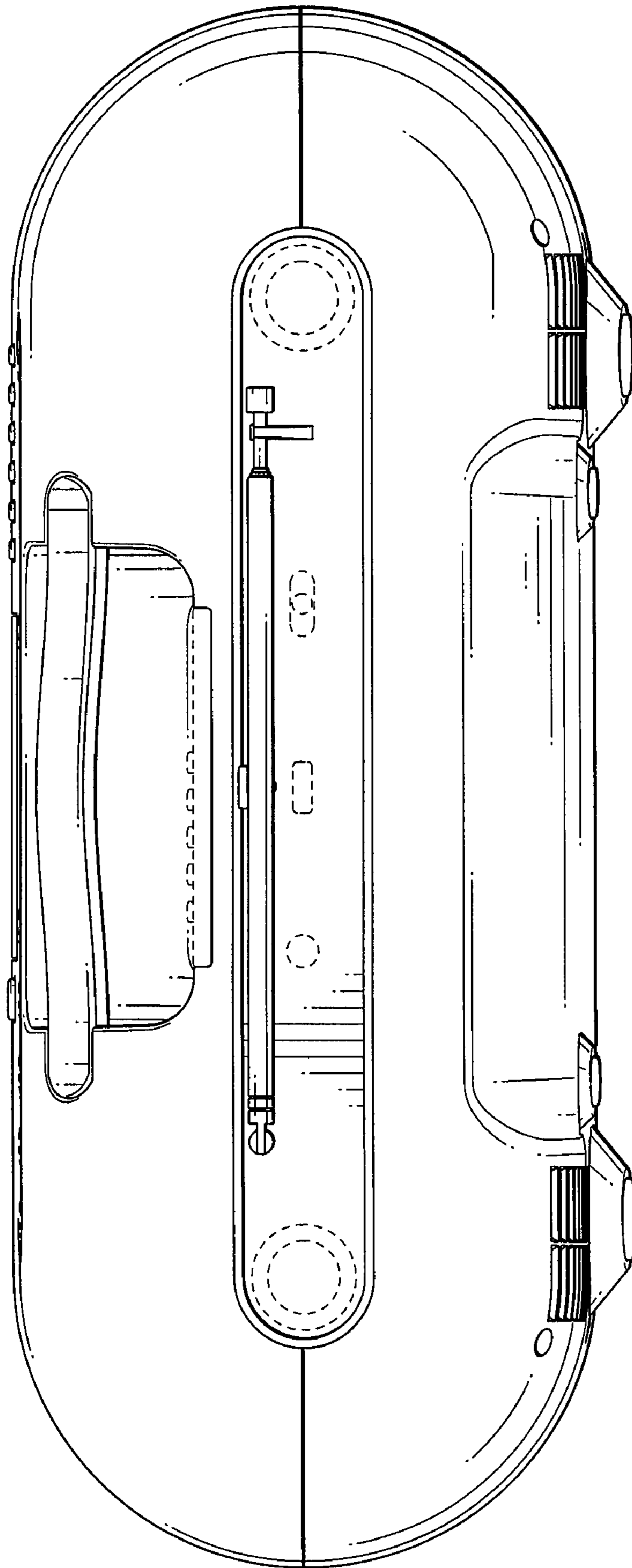


FIG. 2

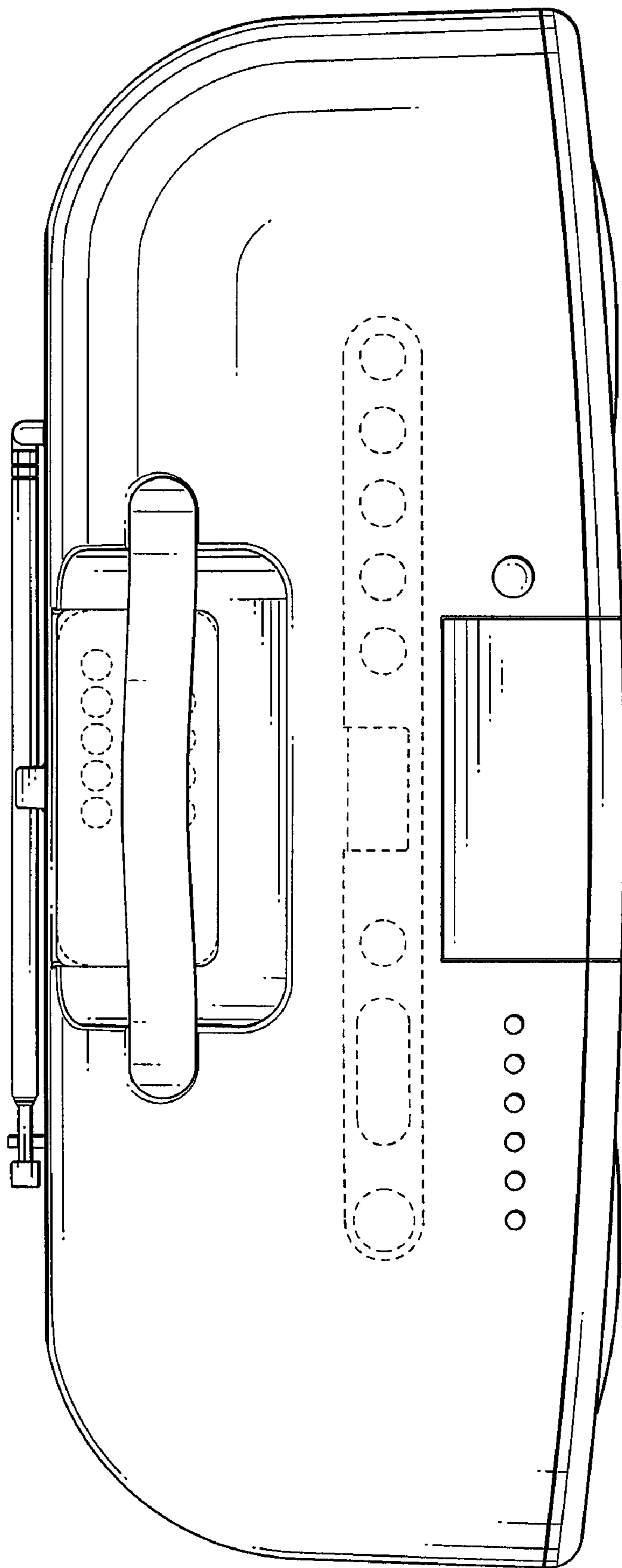


FIG. 3

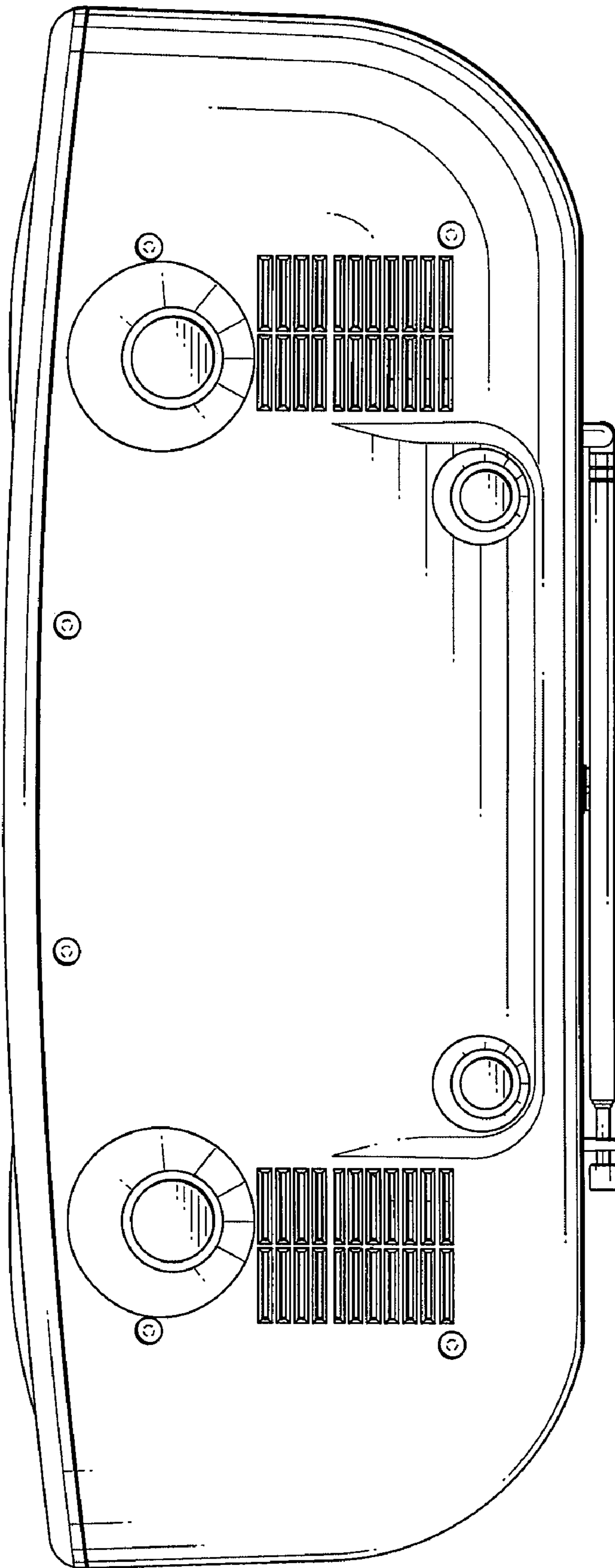


FIG. 4

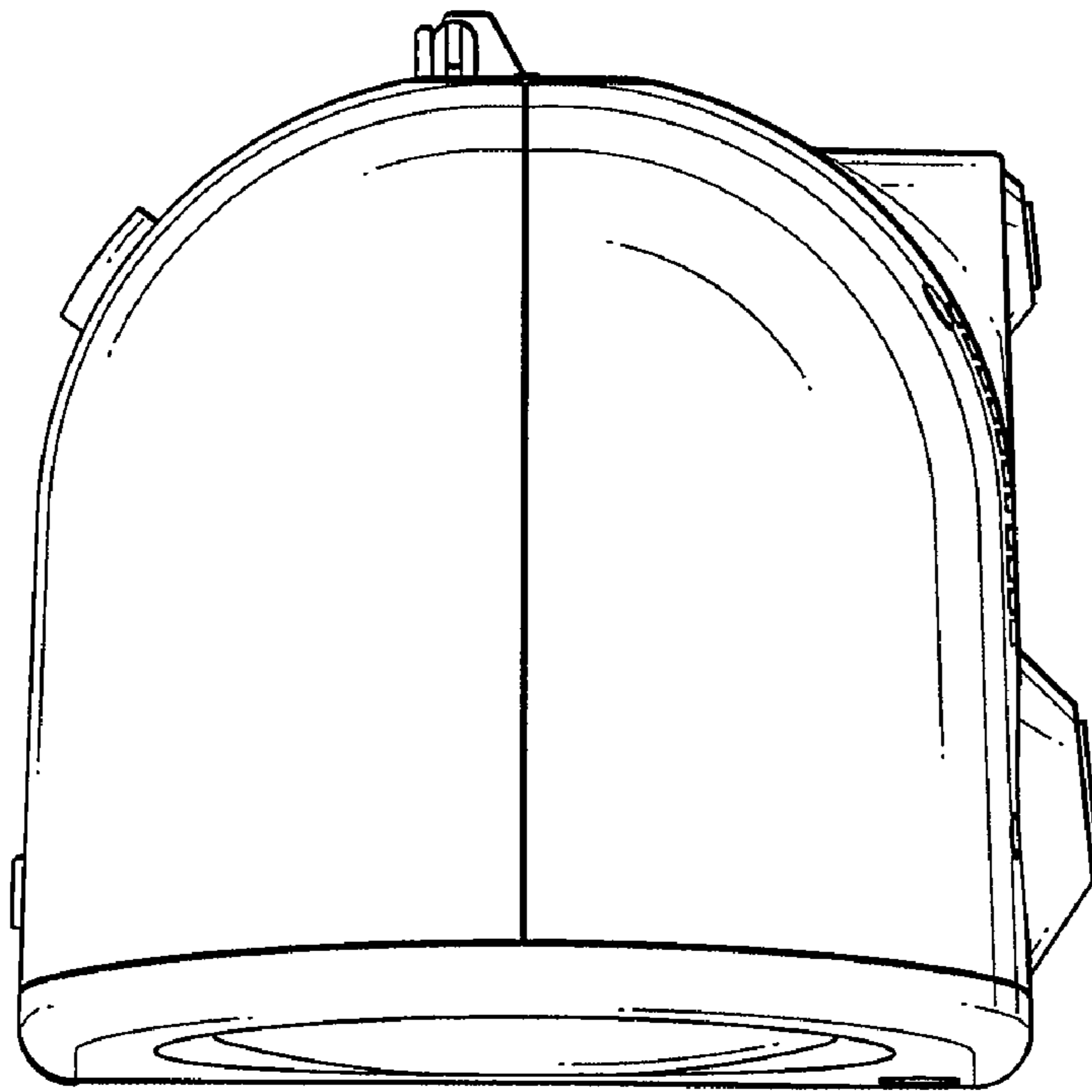


FIG. 6

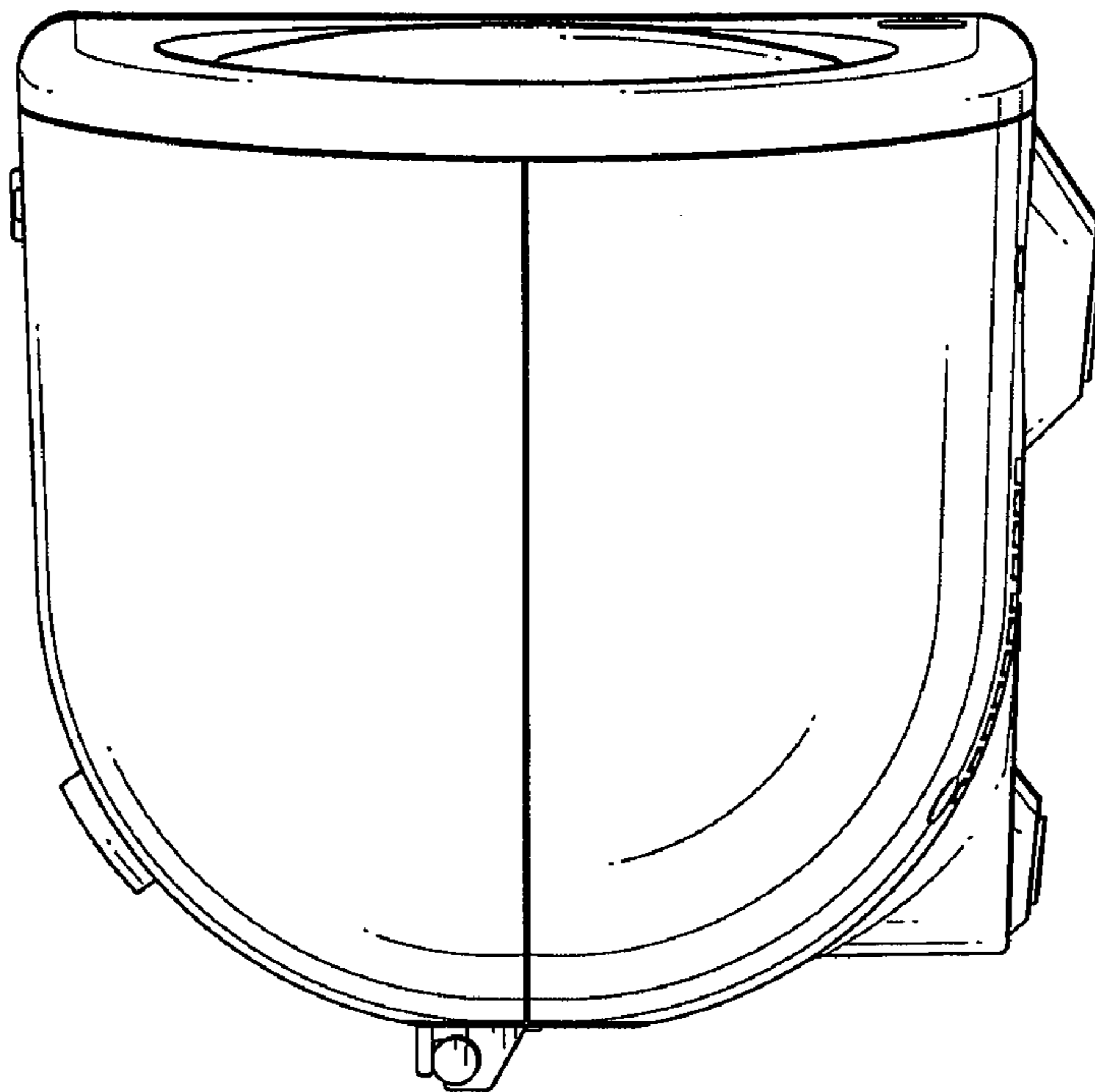


FIG. 5