



US00D582886S

(12) **United States Design Patent**
Woo et al.

(10) **Patent No.:** **US D582,886 S**
(45) **Date of Patent:** **** Dec. 16, 2008**

(54) **KEY-PHONE**

(75) Inventors: **Sang-Sung Woo**, Seoul (KR);
Tai-Hyung Ju, Seoul (KR); **So-Yoon Jeon**,
Kyunggi-do (KR); **Tae-Hun Kim**, Seoul (KR);
Kyung-Hoon Lee, Seoul (KR)

(73) Assignee: **Samsung Electronics Co., Ltd.**,
Kyunggi-do (KR)

(**) Term: **14 Years**

(21) Appl. No.: **29/308,571**

(22) Filed: **Jun. 24, 2008**

(51) **LOC (8) Cl.** **14-03**

(52) **U.S. Cl.** **D14/151**

(58) **Field of Classification Search** D14/125-130,
D14/136-137, 140-142, 147-151, 158-159,
D14/171, 188, 225-226, 240, 243, 247, 251,
D14/253, 349, 356, 358, 434; 379/88.17,
379/90.01, 93.17, 387.01, 388.02, 419-420.04,
379/428.01-428.04, 434-436, 440, 446-447,
379/454-455; 381/16, 71.1; D13/107-108;
191/12.2 R; 320/108, 110, 113-115; 455/411,
455/550.1-90.3; 348/14.01-14.06

See application file for complete search history.

(56) **References Cited**

U.S. PATENT DOCUMENTS

D363,285 S *	10/1995	Vessey et al.	D14/151
D375,094 S *	10/1996	Toh	D14/151
D404,732 S *	1/1999	Mason et al.	D14/151
D405,447 S *	2/1999	Landry et al.	D14/151
D490,795 S *	6/2004	Watanabe et al.	D14/151
D499,079 S *	11/2004	Abe et al.	D14/151
D529,477 S *	10/2006	Hsu	D14/151
D530,303 S *	10/2006	Tang	D14/151
7,216,401 B2 *	5/2007	Bae	16/324
D550,195 S	9/2007	Ju		
D550,644 S	9/2007	Cho et al.		

D552,071 S	10/2007	Park et al.		
D552,588 S	10/2007	Park et al.		
D558,729 S *	1/2008	Daly et al.	D14/151
D562,303 S *	2/2008	Beasley et al.	D14/151
D572,701 S *	7/2008	Tani	D14/151
D576,146 S *	9/2008	Brown et al.	D14/151

OTHER PUBLICATIONS

Cortelco ITT-2740, <URL:http://www.101phones.com/details/2635-6507/Cortelco-Multi-Line-Multi-Feature-Phones-ITT-2740.html>, retrieved from internet Sep. 21, 2008 3:08:34 PM.*

Panasonic KX-TS3282, <URL:http://www.101phones.com/details/2002-298/Panasonic-2-Line-Corded-Phones-KX-TS3282.html>, retrieved from internet Sep. 21, 2008 3:14:12 PM.*

U.S. Appl. No. 29/308,568, Applicant: Tai-Hyung Ju, et al., filed Jun. 24, 2008 entitled Main Apparatus of Key-Phone.

U.S. Appl. No. 29/310,073, Applicant: So-Yoon Jeon, et al., filed Jul. 24, 2008 entitled Key-Phone.

* cited by examiner

Primary Examiner—Ian Simmons

Assistant Examiner—Carla Jobe Wright

(74) *Attorney, Agent, or Firm*—Flynn, Thiel, Boutell & Tanis, P.C.

(57) **CLAIM**

The ornamental design for a key-phone, as shown and described.

DESCRIPTION

FIG. 1 is a top front perspective view of a key-phone showing our new design;

FIG. 2 is a front elevational view thereof;

FIG. 3 is a rear elevational view thereof;

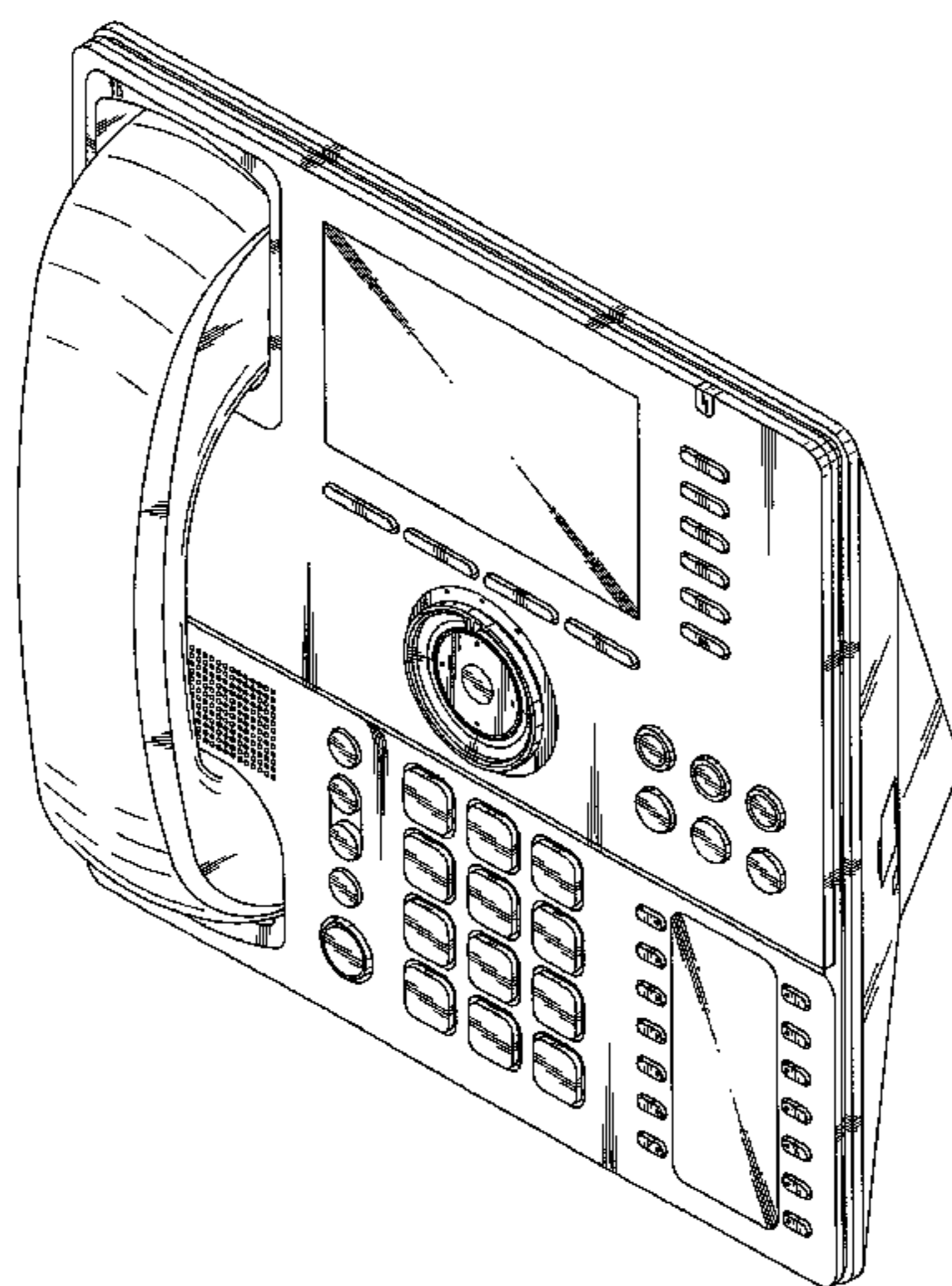
FIG. 4 is a left side elevational view thereof;

FIG. 5 is a right side elevational view thereof;

FIG. 6 is a top plan view thereof; and,

FIG. 7 is a bottom plan view thereof.

1 Claim, 7 Drawing Sheets



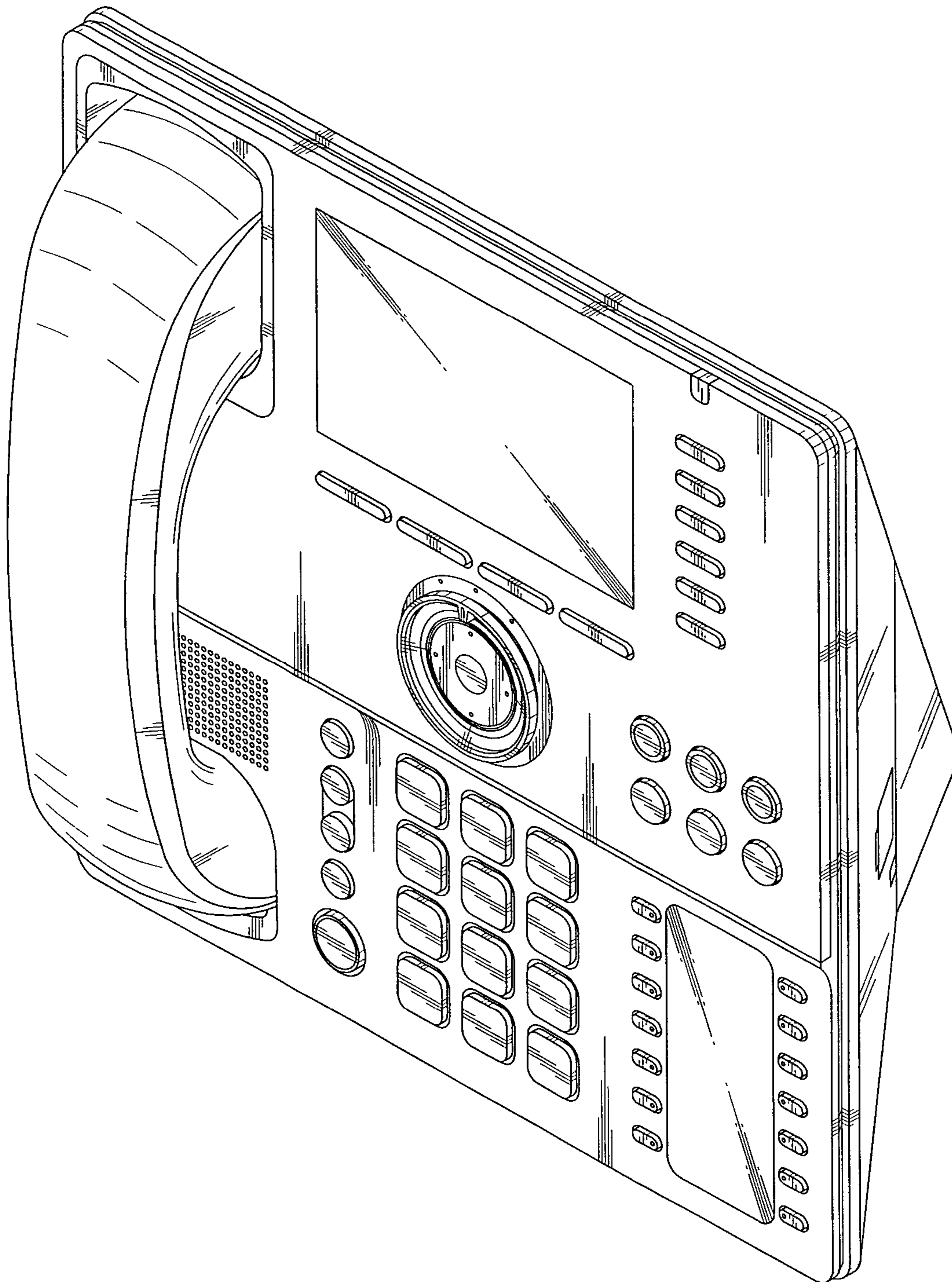


FIG. 1

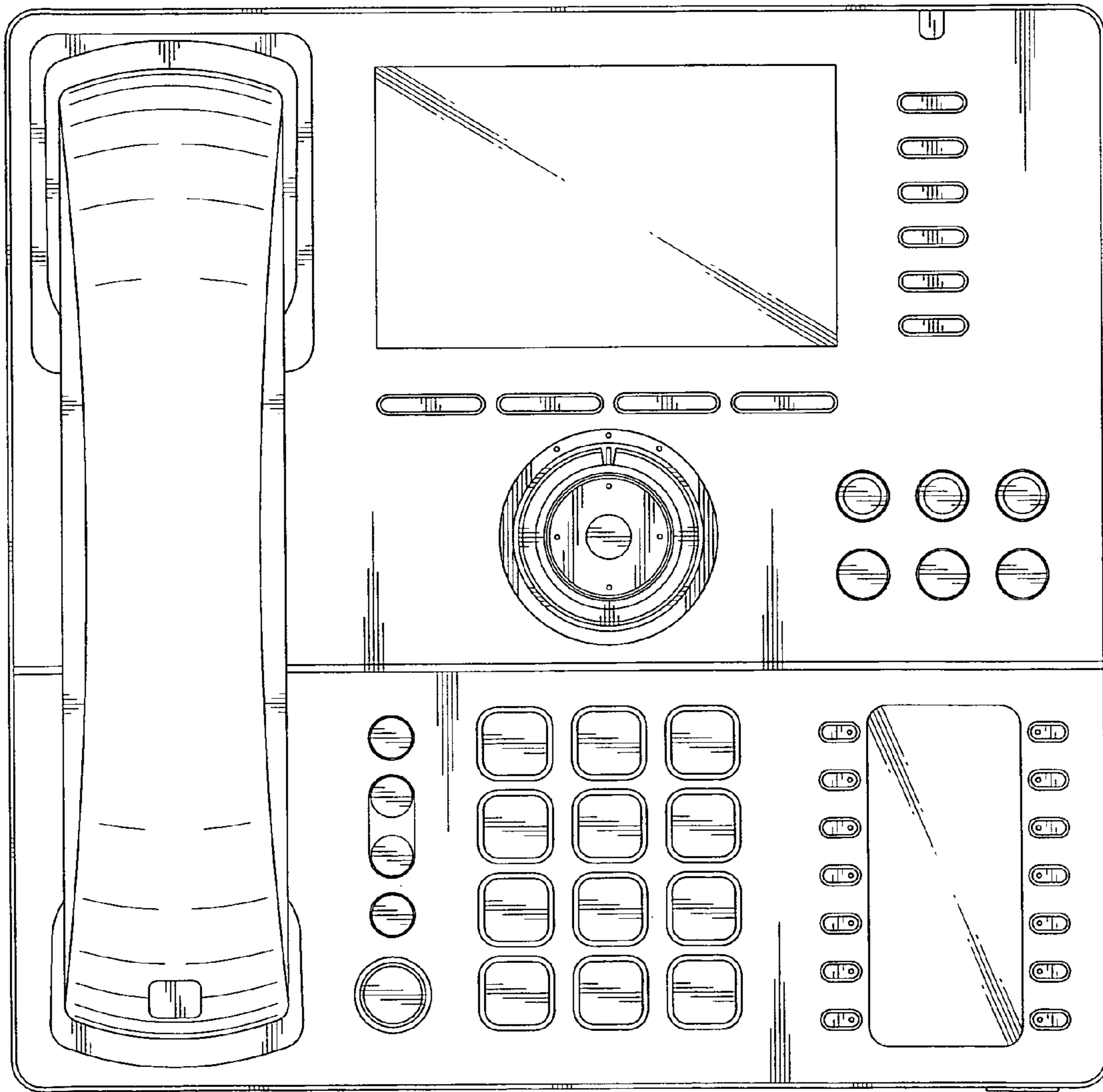


FIG. 2

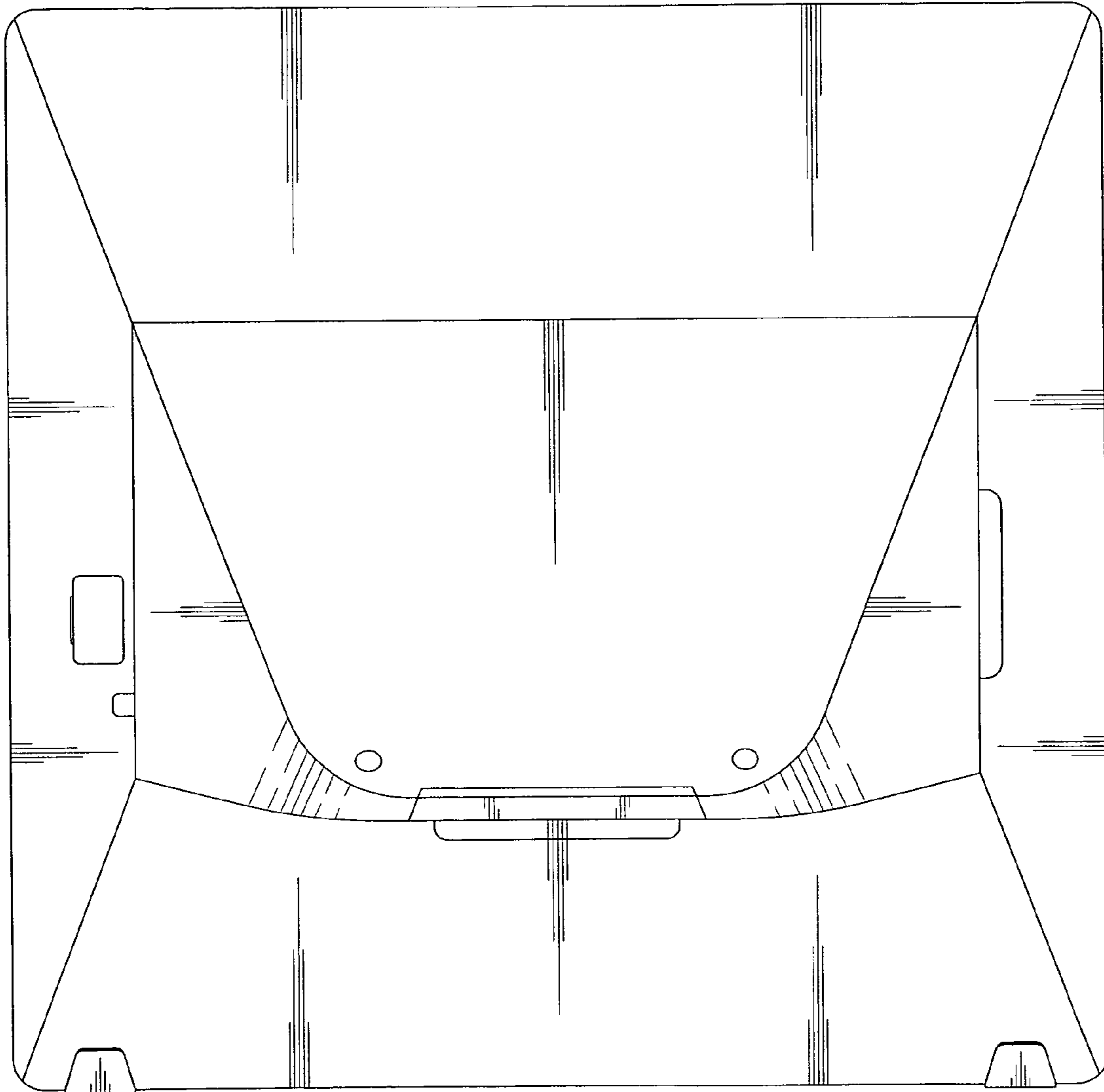


FIG. 3

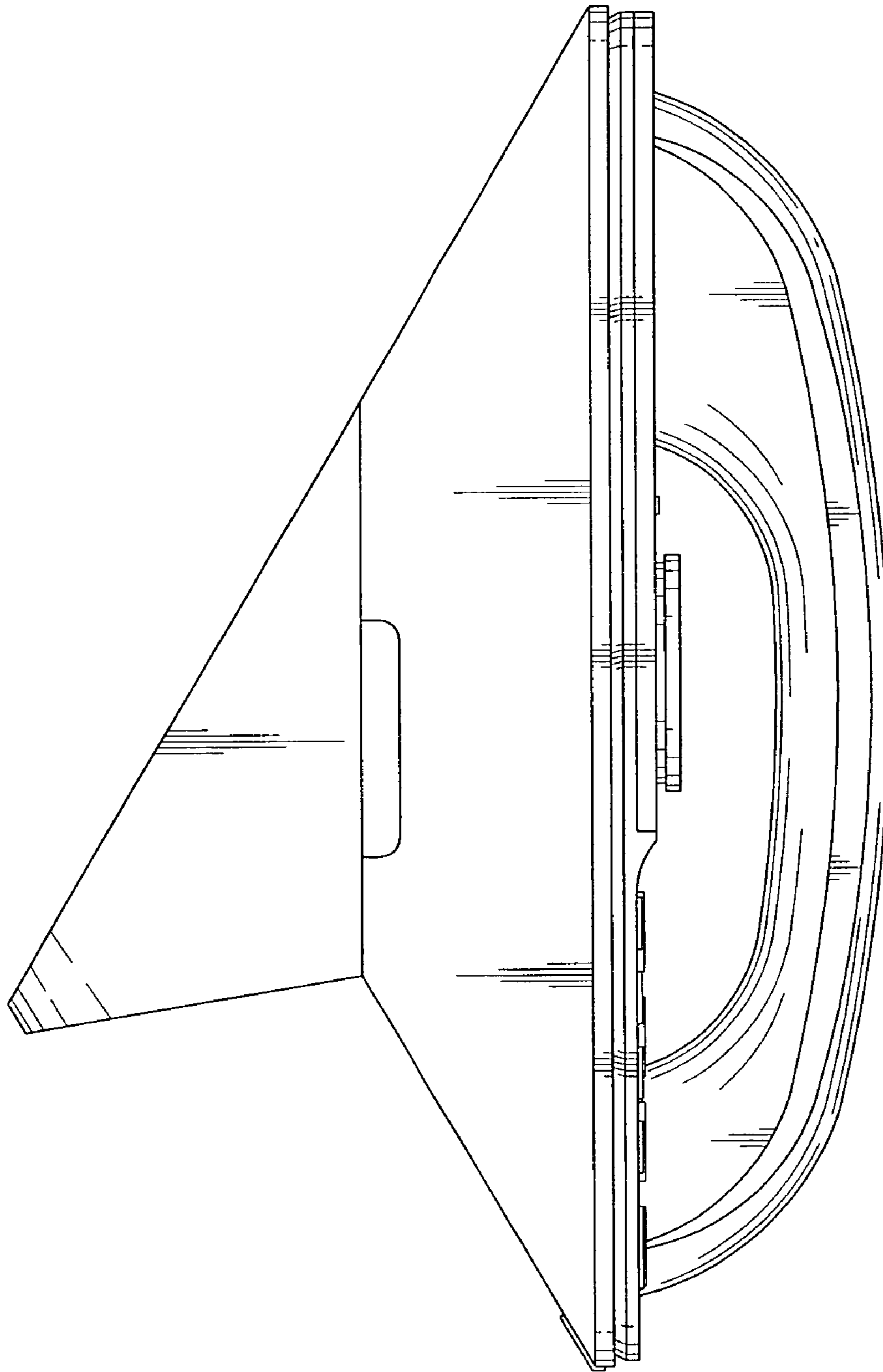


FIG. 4

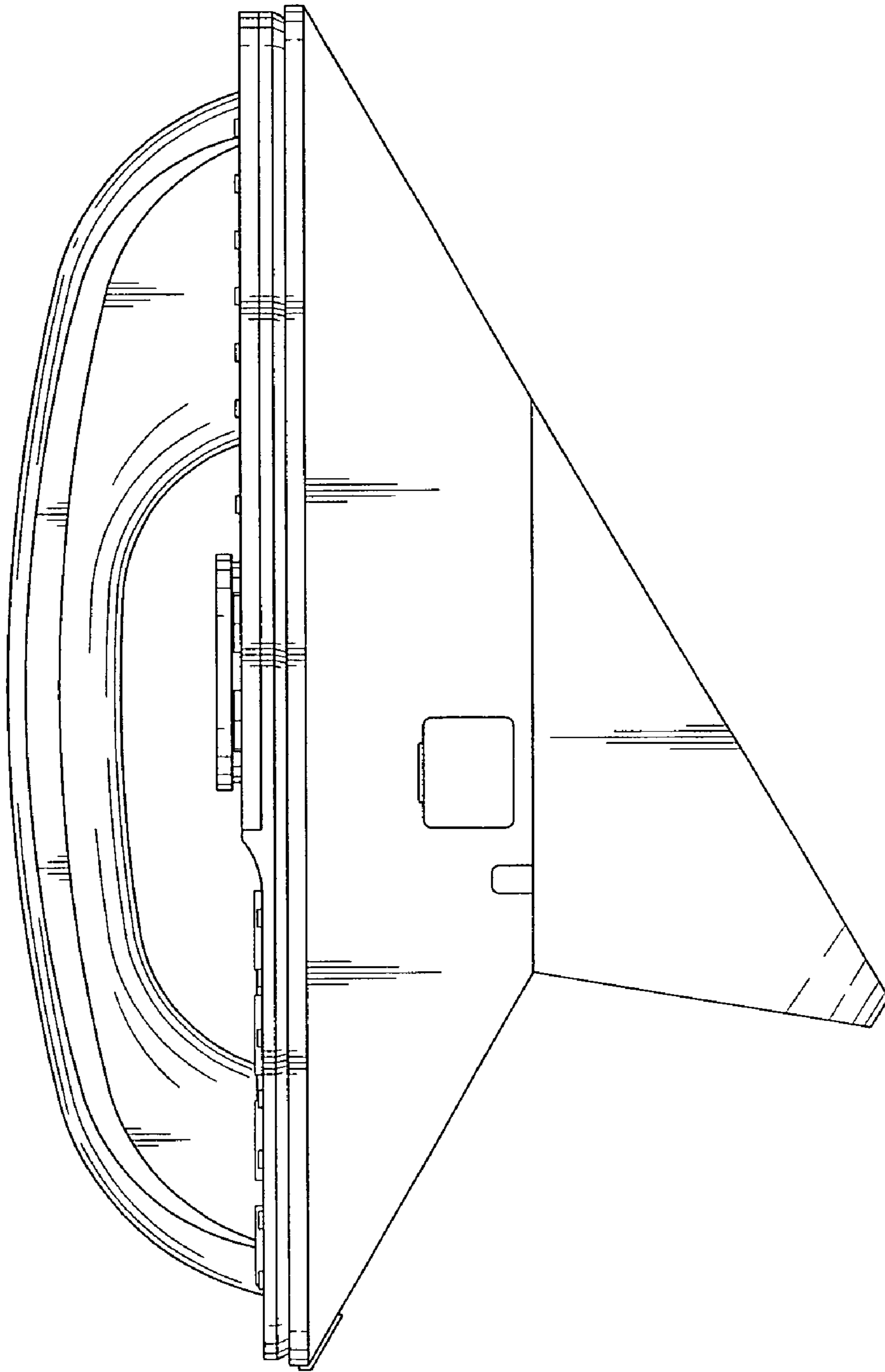


FIG. 5

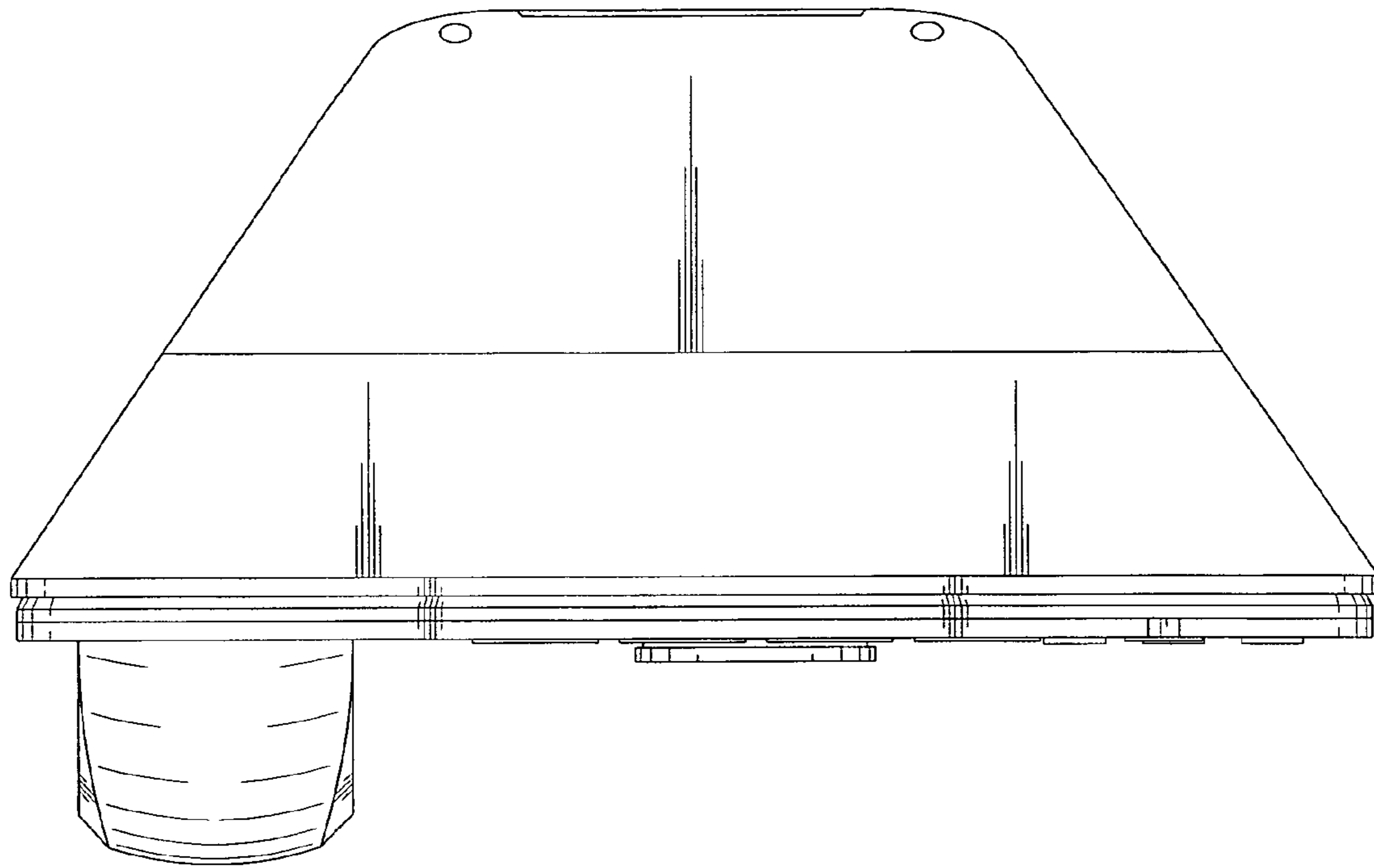


FIG. 6

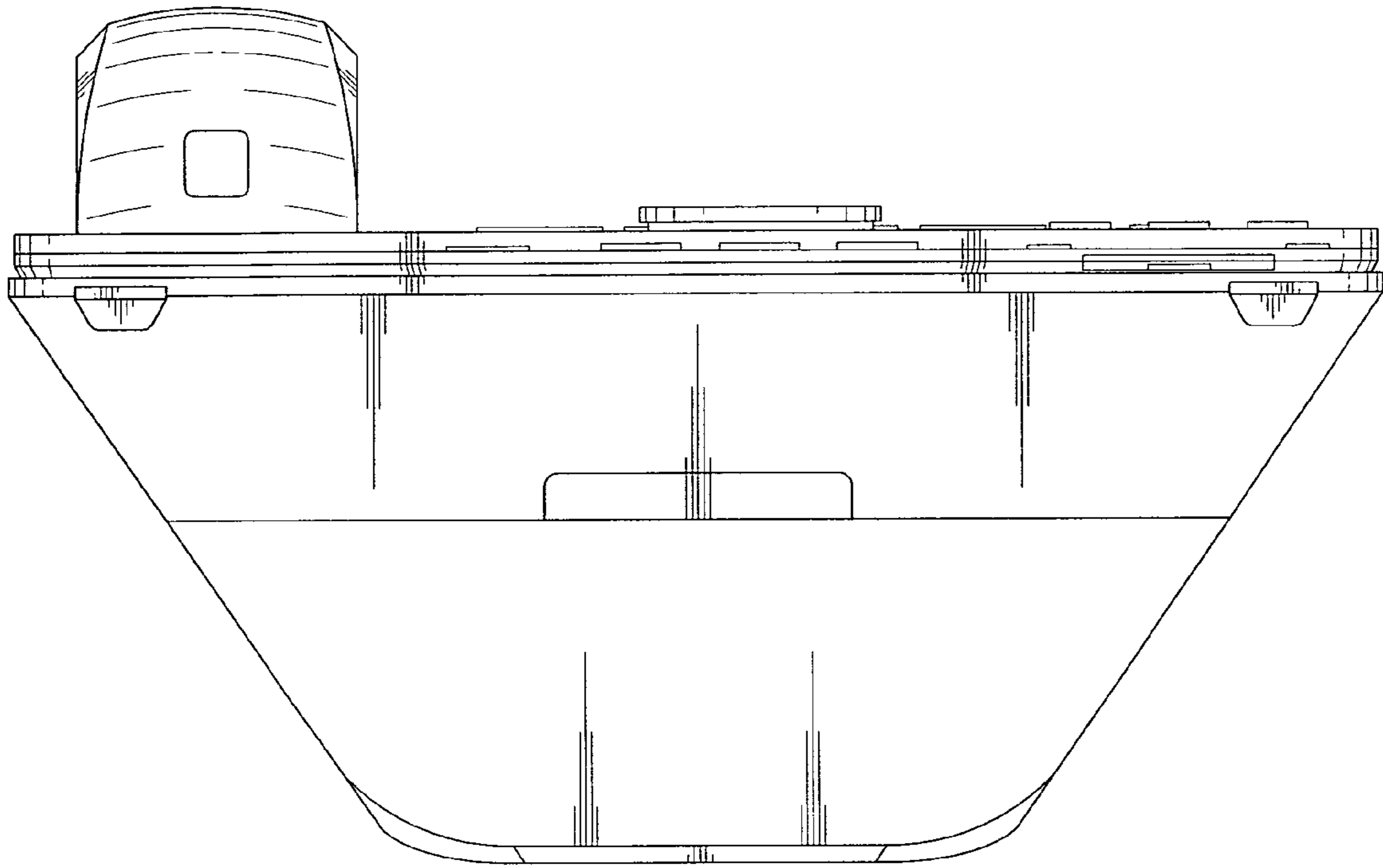


FIG. 7