



US00D582885S

(12) **United States Design Patent**
Shimpei

(10) **Patent No.:** **US D582,885 S**
(45) **Date of Patent:** **** Dec. 16, 2008**

(54) **MOBILE PHONE**

D568,281 S * 5/2008 Lee D14/138 AB

(Continued)

(75) Inventor: **Hirano Shimpei**, Malmö (SE)

OTHER PUBLICATIONS

(73) Assignee: **Sony Ericsson Mobile Communications AB**, Lund (SE)

Samsung E870 telephone, announced 1st quarter 2006, [online], [site visited Sep. 23, 2008]. Available from Internet ,<URL: <http://www.gsmarena.com>>.*

(**) Term: **14 Years**

(Continued)

(21) Appl. No.: **29/304,534**

Primary Examiner—Jeffrey D Asch

(22) Filed: **Mar. 4, 2008**

(74) *Attorney, Agent, or Firm*—Renner, Otto, Boisselle & Sklar, LLP

(30) **Foreign Application Priority Data**

(57) **CLAIM**

Sep. 5, 2007 (EM) 000784152-0001
Sep. 5, 2007 (EM) 000784152-0002

The ornamental design for a mobile phone, as shown and described.

(51) **LOC (8) Cl.** **14-03**

DESCRIPTION

(52) **U.S. Cl.** **D14/138 AB**

(58) **Field of Classification Search** D14/138,
D14/496, 341–347; 455/575.3, 575.1
See application file for complete search history.

FIG. 1 is a perspective view of a mobile phone in a closed position showing my design;

FIG. 2 is a front view thereof;

FIG. 3 is a rear view thereof;

FIG. 4 is a left side view thereof;

FIG. 5 is a right side view thereof;

FIG. 6 is a top view thereof;

FIG. 7 is a bottom view thereof;

FIG. 8 is a front perspective view of the mobile phone of FIG. 1 in an open position;

FIG. 9 is a rear perspective view thereof;

FIG. 10 is a front view thereof;

FIG. 11 is a rear view thereof;

FIG. 12 is a left side view thereof; and,

FIG. 13 is a right side view thereof.

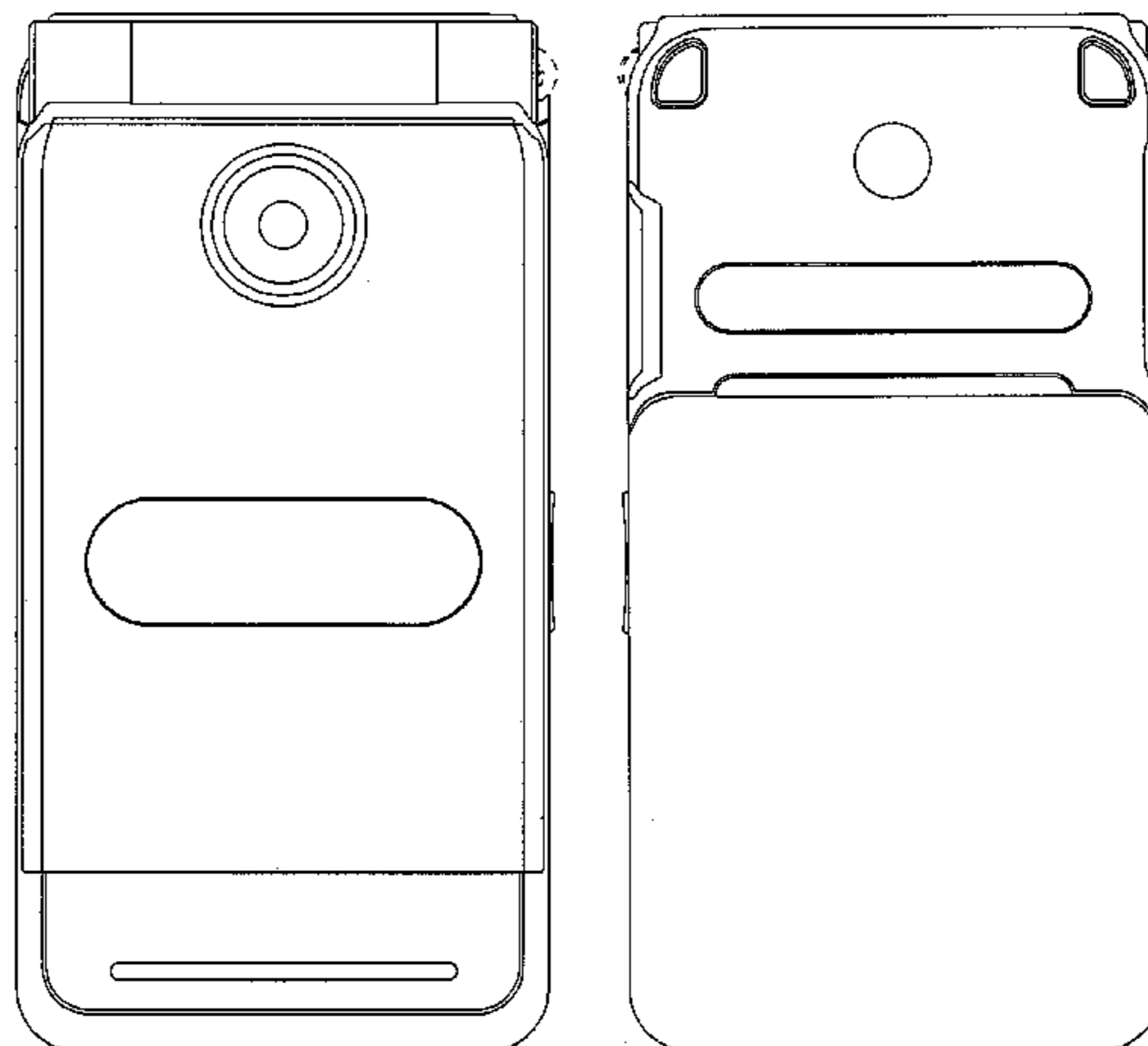
The broken line circle shown in FIGS. 1, 5, 8, and 13, which is immediately adjacent to the shaded areas, represents the bounds of the claimed design, while all other broken lines are directed to environment and are for illustrative purposes only; the broken lines form no part of the claimed design.

(56) **References Cited**

U.S. PATENT DOCUMENTS

- D292,706 S * 11/1987 Fischer D14/345
- D464,632 S * 10/2002 Nagai et al. D14/138 AB
- D475,358 S * 6/2003 Wang et al. D14/138 AB
- D476,968 S * 7/2003 Yokoyama D14/138 AB
- D508,035 S * 8/2005 Kim et al. D14/138 AB
- D536,320 S * 2/2007 Michaels D14/138 AB
- D546,307 S * 7/2007 Lee D14/138 AB
- 7,269,443 B2 * 9/2007 Park et al. 455/556.2
- D559,813 S * 1/2008 Cho et al. D14/138 AB
- D559,816 S * 1/2008 Moon et al. D14/138 AB
- D560,186 S * 1/2008 Kim et al. D14/138 AB
- D560,189 S * 1/2008 Kim et al. D14/138 AB
- D561,722 S * 2/2008 Kim et al. D14/138 AB
- D561,728 S * 2/2008 Kim et al. D14/138 AB
- D563,924 S * 3/2008 Arnold et al. D14/138 AB
- D566,082 S * 4/2008 Kim et al. D14/138 AB
- D566,677 S * 4/2008 Park et al. D14/138 AB

1 Claim, 5 Drawing Sheets



U.S. PATENT DOCUMENTS

D571,344 S * 6/2008 Kim et al. D14/138
D571,345 S * 6/2008 Kim et al. D14/138
D571,773 S * 6/2008 Kim et al. D14/138
7,386,330 B2 * 6/2008 Takagi 455/575.3
D572,690 S * 7/2008 Kim et al. D14/138
D573,127 S * 7/2008 Choi et al. D14/138
D573,575 S * 7/2008 Song et al. D14/138
2006/0135225 A1 * 6/2006 Lin et al. 455/575.3

OTHER PUBLICATIONS

Sony Ericsson TM506 telephone, announced Aug. 2008, [online], [site visited Sep. 23, 2008]. Available from Internet ,<URL: <http://www.gsmarena.com>>.*

Sony Ericsson Z780 telephone, announced Apr. 2008, [online], [site visited Sep. 23, 2008]. Available from Internet ,<URL: <http://www.gsmarena.com>>.*

Sony Ericsson Z770 telephone, announced Feb. 2008, [online], [site visited Sep. 23, 2008]. Available from Internet ,<URL: <http://www.gsmarena.com>>.*

LG Trax CU575 telephone, announced Aug. 2007, [online], [site visited Sep. 23, 2008]. Available from Internet ,<URL: <http://www.gsmarena.com>>.*

Toshiba TS10 telephone, announced 3rd quarter 2005, [online], [site visited Sep. 23, 2008]. Available from Internet ,<URL: <http://www.gsmarena.com>>.*

Panasonic VS6 telephone, announced 3rd quarter 2005, [online], [site visited Sep. 23, 2008]. Available from Internet ,<URL: <http://www.gsmarena.com>>.*

Pantech PG-2800 telephone, announced May 2006, [online], [site visited Sep. 23, 2008]. Available from Internet ,<URL: <http://www.gsmarena.com>>.*

* cited by examiner

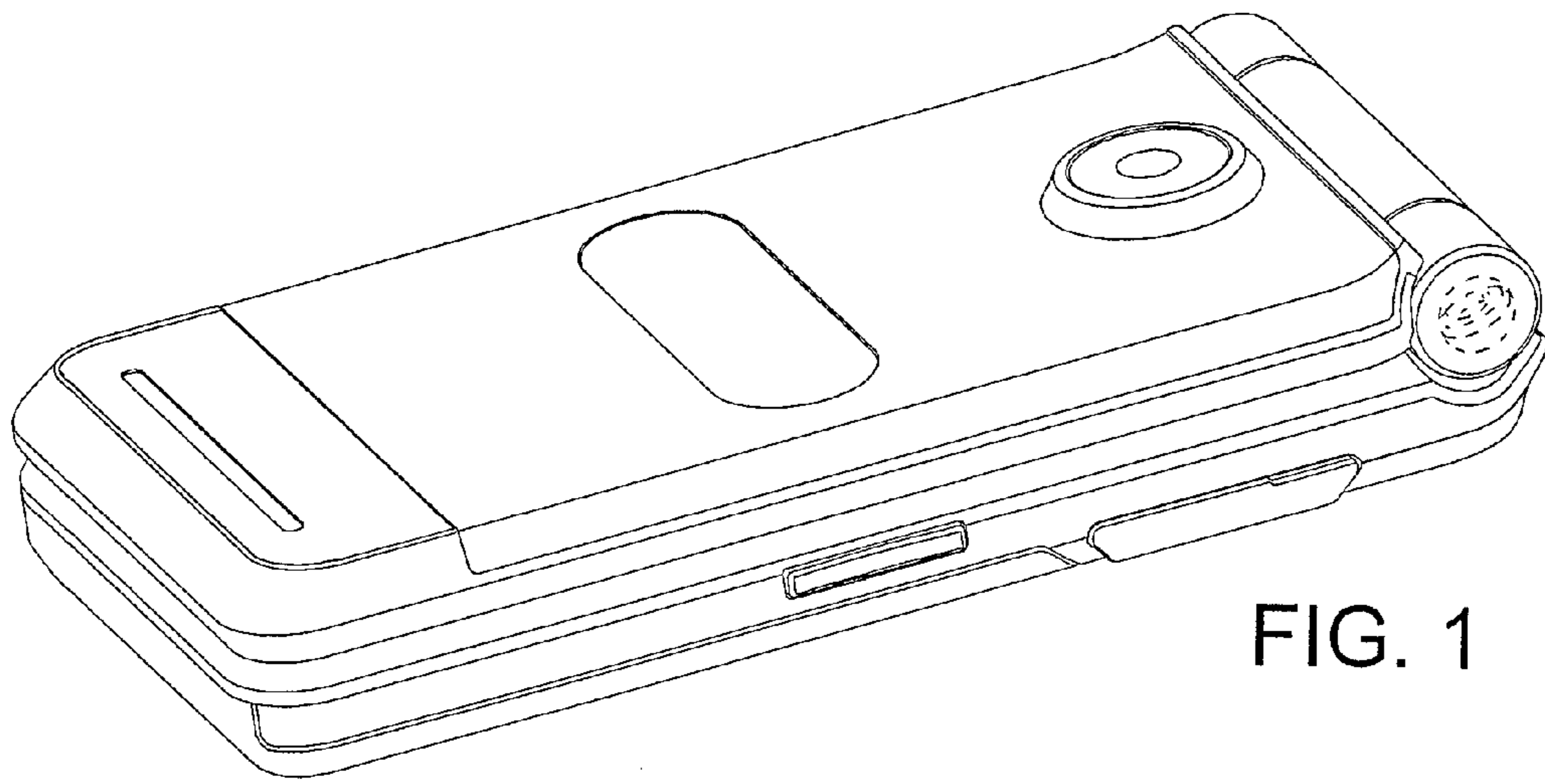


FIG. 1

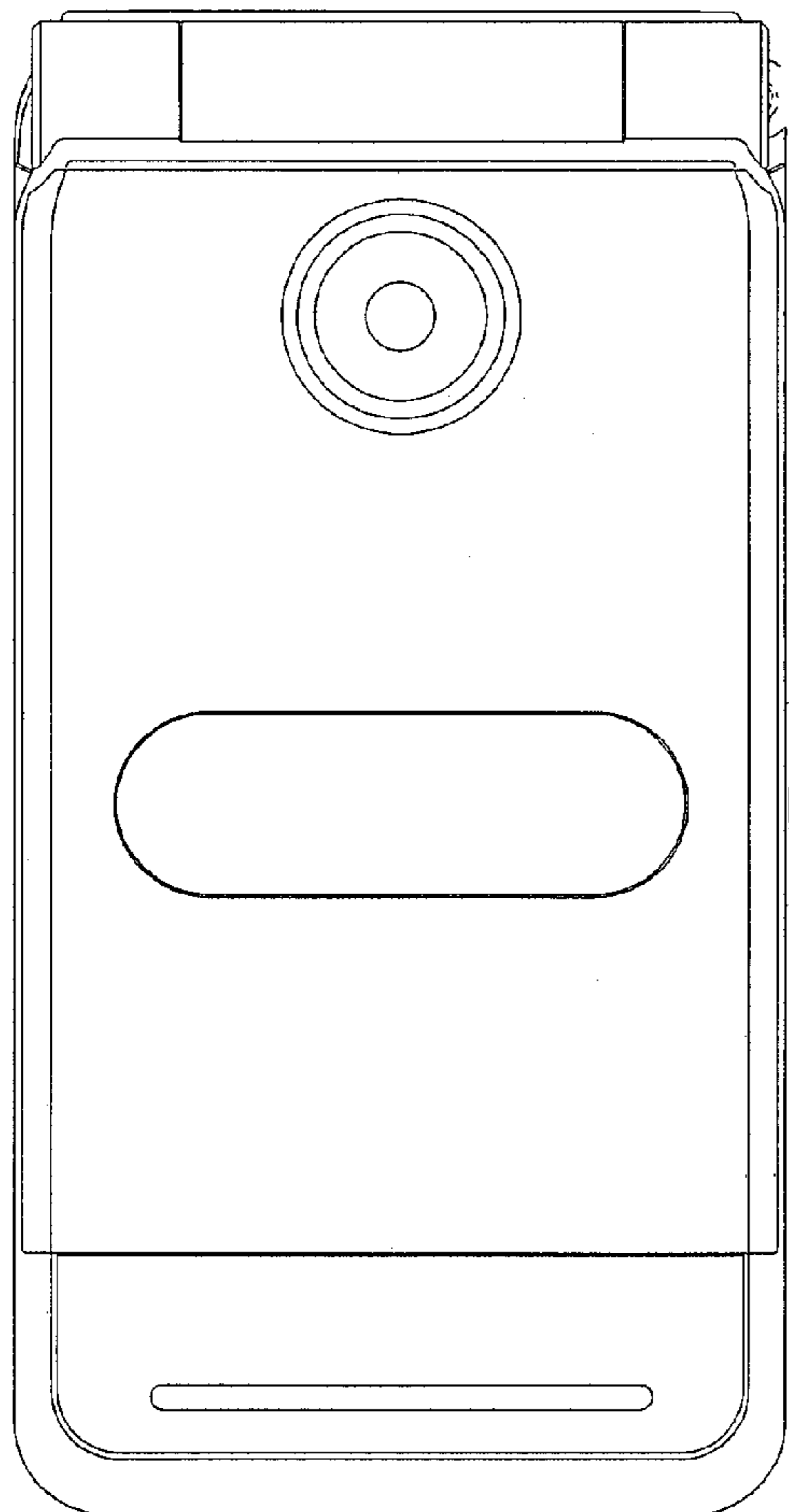


FIG. 2

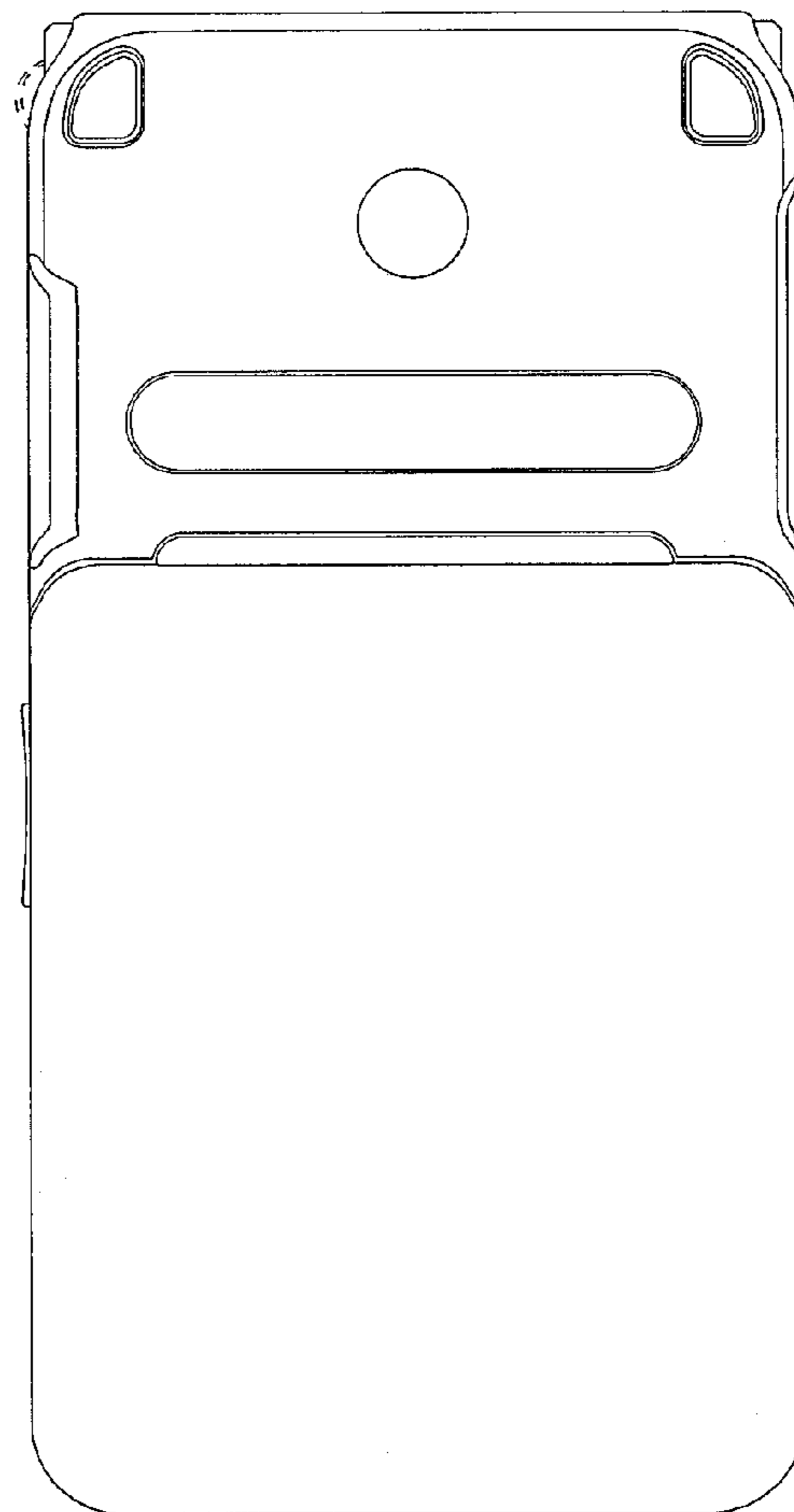


FIG. 3

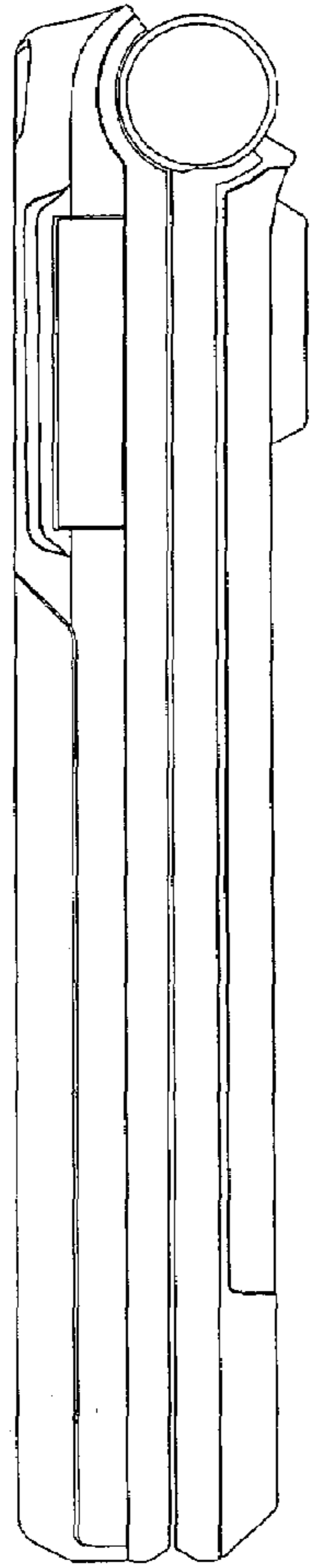


FIG. 4

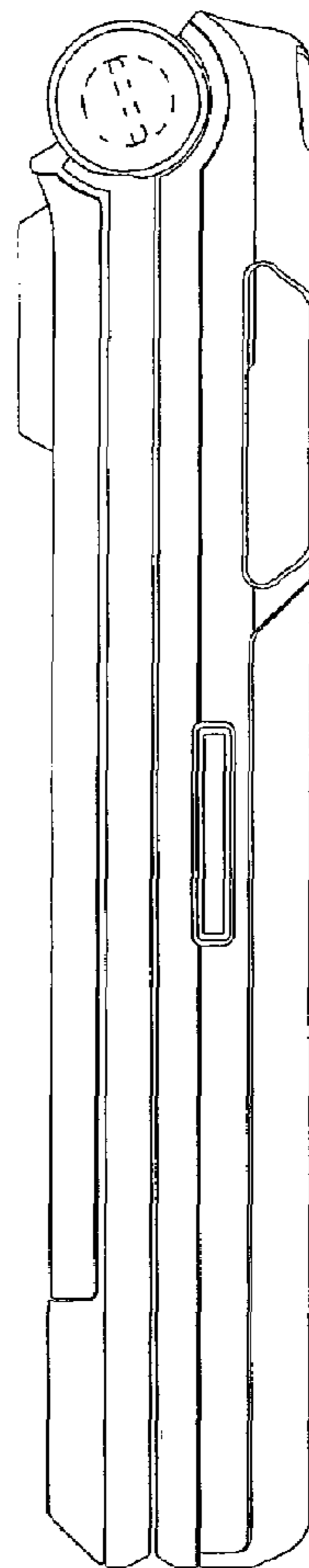


FIG. 5

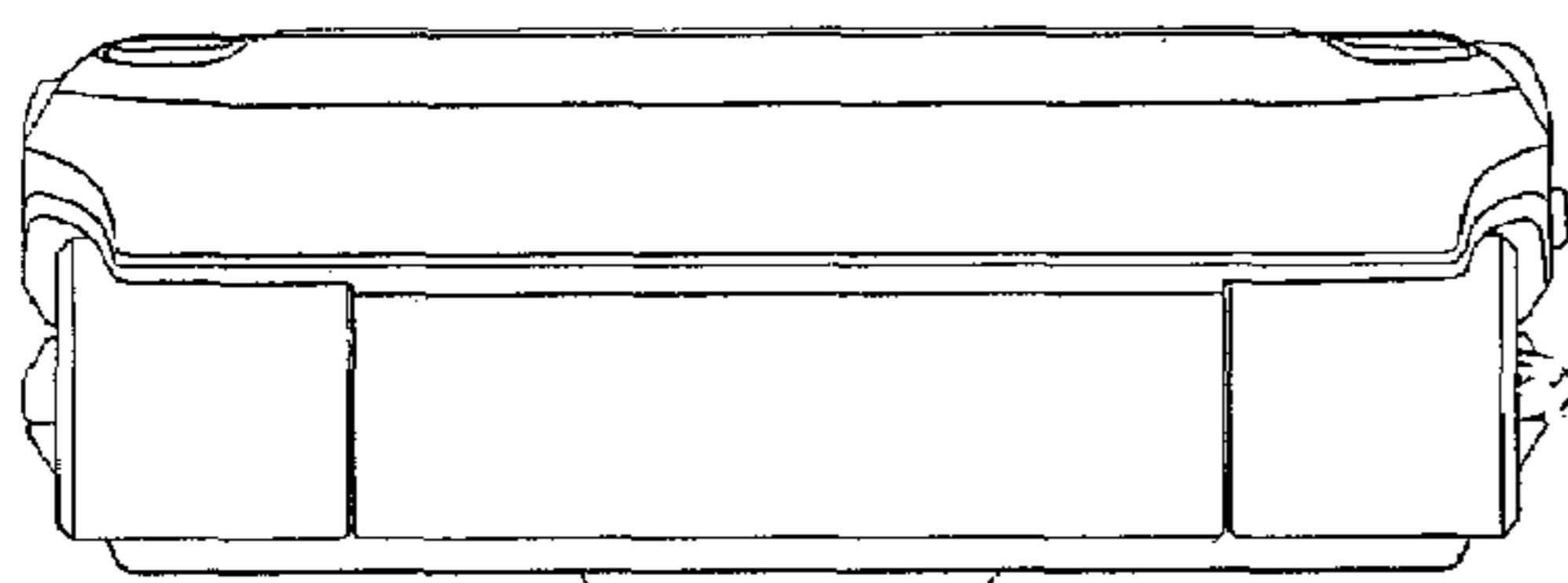


FIG. 6

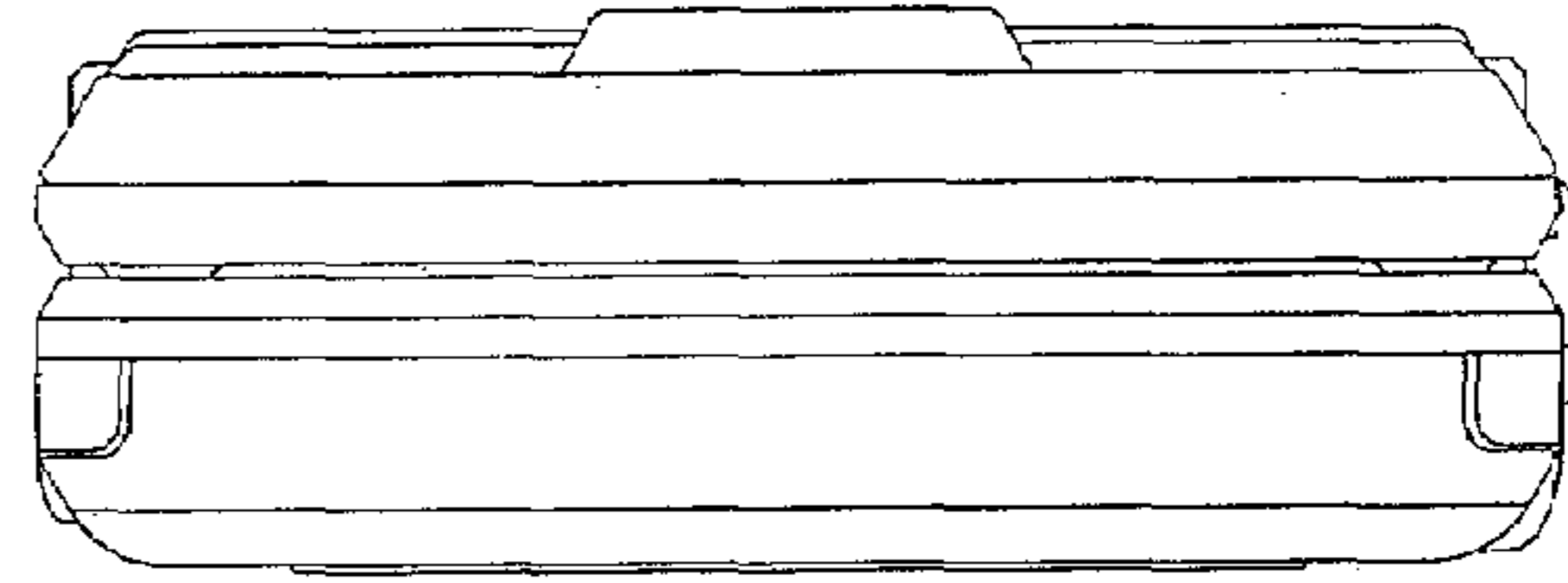


FIG. 7

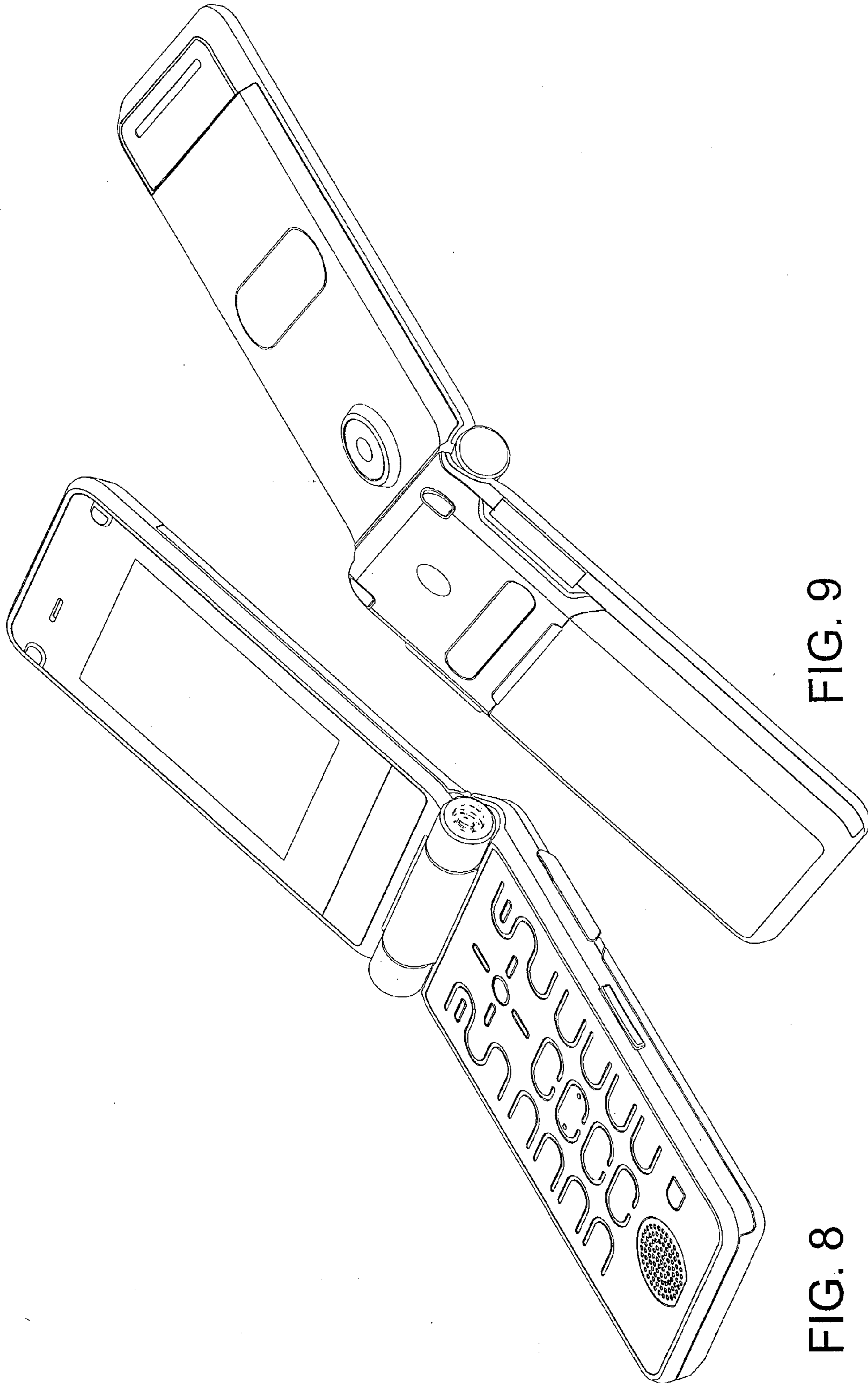


FIG. 9

FIG. 8

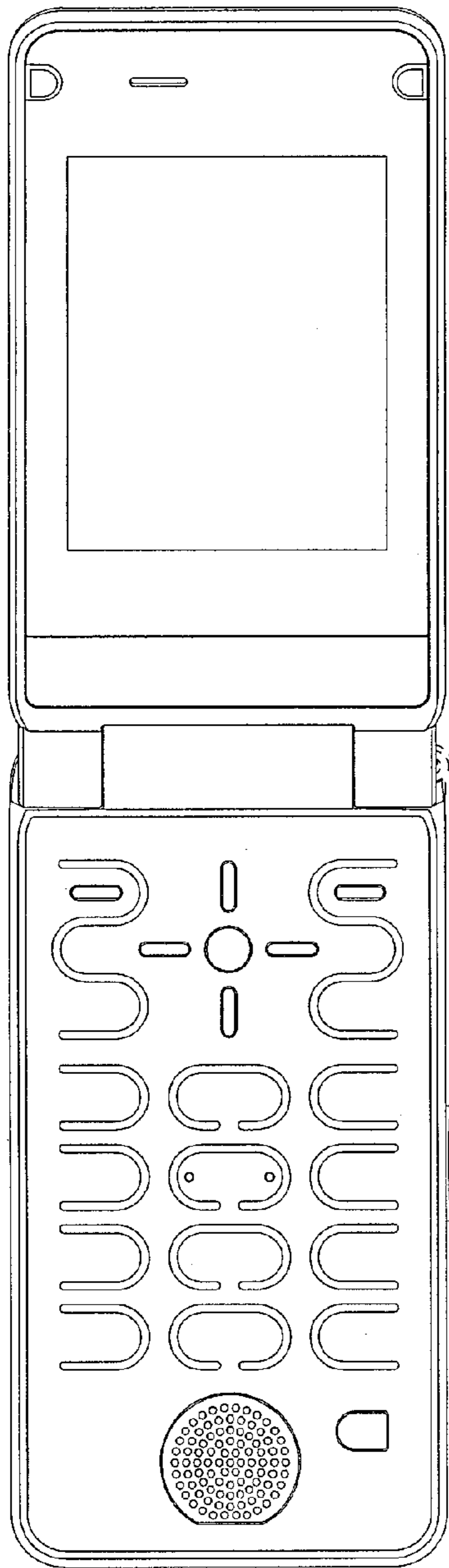


FIG. 10

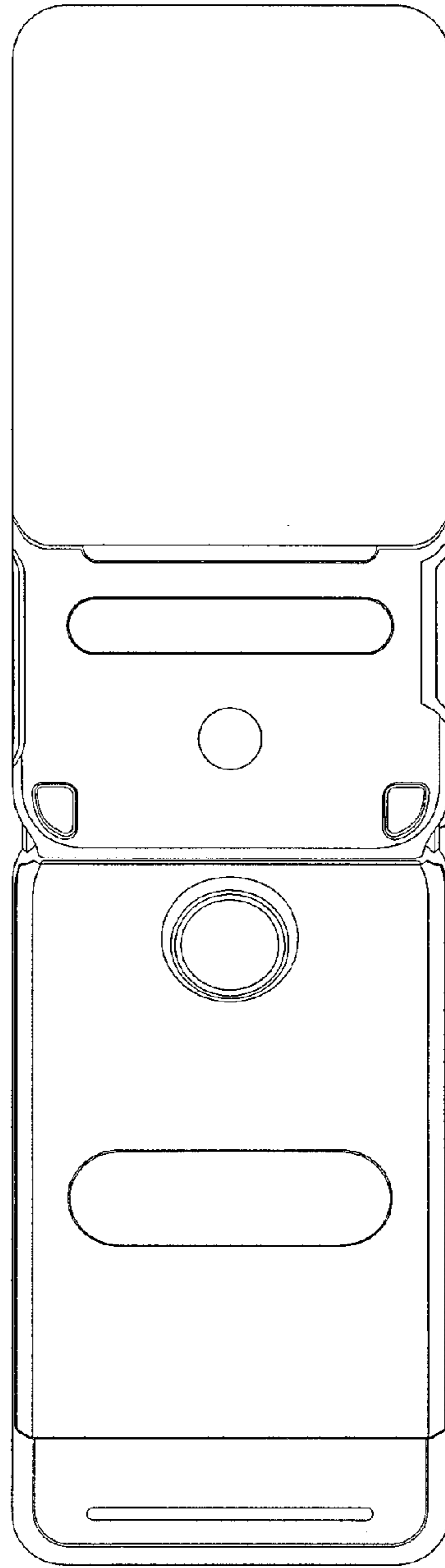


FIG. 11

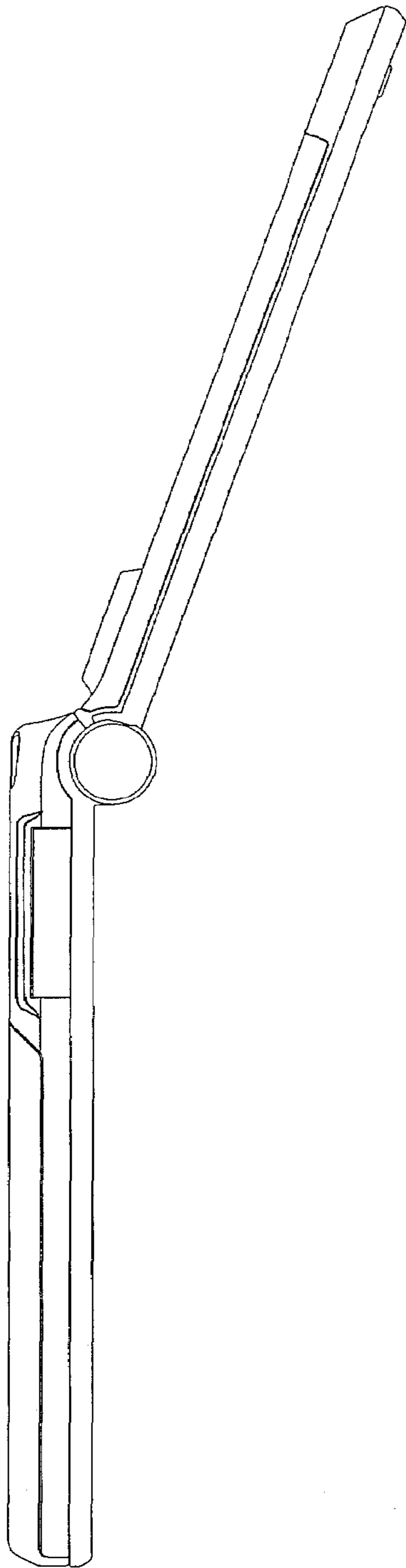


FIG. 12

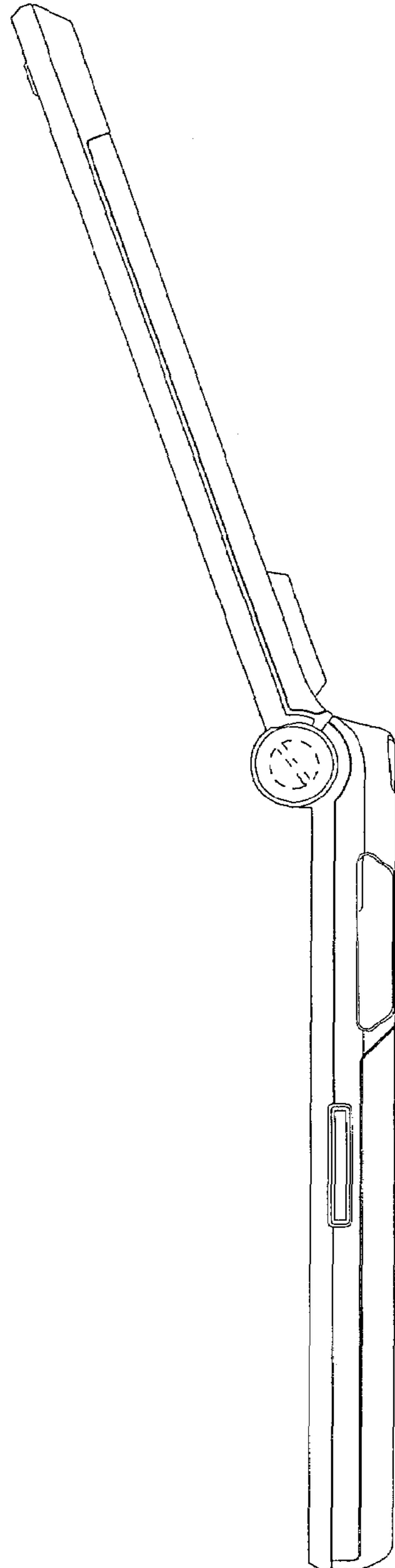


FIG. 13