



US00D582880S

(12) **United States Design Patent**
Kim et al.

(10) **Patent No.:** **US D582,880 S**
(45) **Date of Patent:** **** Dec. 16, 2008**

(54) **MOBILE PHONE**

(75) Inventors: **Young-Sae Kim**, Palo Alto, CA (US);
Ji-Eun Lee, Seoul (KR); **Young-Ju Yeo**,
Seoul (KR); **Chang-Soo Lee**, Incheon
(KR)

(73) Assignee: **Samsung Electronics Co., Ltd.**,
Suwon-Si (KR)

(**) Term: **14 Years**

(21) Appl. No.: **29/300,299**

(22) Filed: **Mar. 10, 2008**

(30) **Foreign Application Priority Data**

Oct. 30, 2007 (KR) 30-2007-0045186

(51) **LOC (8) Cl.** **14-03**

(52) **U.S. Cl.** **D14/138 AA; D14/138 AD**

(58) **Field of Classification Search** D14/137,
D14/138, 147, 191, 218, 247-248, 341-347,
D14/496; D10/65, 78, 104; D13/168; D18/7;
455/556.1, 566, 575.1, 575.3; 345/169
See application file for complete search history.

(56) **References Cited**

U.S. PATENT DOCUMENTS

D469,367	S	*	1/2003	Mirabelli et al.	D10/65
D496,642	S	*	9/2004	Harries et al.	D14/138
D513,741	S	*	1/2006	Jensfelt	D14/138
D525,610	S	*	7/2006	Kim et al.	D14/138
D525,959	S	*	8/2006	Kim et al.	D14/138
D531,612	S	*	11/2006	Kim et al.	D14/138
D531,973	S	*	11/2006	Kim et al.	D14/138
D531,974	S	*	11/2006	Kim et al.	D14/138
D531,975	S	*	11/2006	Kim et al.	D14/138
D532,425	S	*	11/2006	Kim	D14/496
D533,532	S	*	12/2006	Kim et al.	D14/138
D534,516	S	*	1/2007	Lheem	D14/138
D536,326	S	*	2/2007	Kim et al.	D14/138
D536,690	S	*	2/2007	Lee	D14/138
D537,062	S	*	2/2007	Kim et al.	D14/138

D547,743	S	*	7/2007	Kim et al.	D14/138
D550,190	S	*	9/2007	Minamide et al.	D14/138
D551,649	S	*	9/2007	Moon et al.	D14/138
D555,126	S	*	11/2007	Park et al.	D14/138
D555,133	S	*	11/2007	Kim et al.	D14/138
D560,196	S	*	1/2008	Kim et al.	D14/138
RE40,204	E	*	4/2008	Yamamoto	361/681
D565,532	S	*	4/2008	Arnold	D14/138
2005/0124394	A1	*	6/2005	Kim et al.	455/575.3
2006/0111161	A1	*	5/2006	Cha et al.	455/575.4
2007/0232361	A1	*	10/2007	Park et al.	455/566

OTHER PUBLICATIONS

BenQ-Siemens EF51, announced Feb. 2006, [online], [retrieved on Feb. 16, 2007]. Retrieved from Internet ,<URL: <http://www.gsmarena.com>>.*

HTC P3300, announced Sep. 2006, [online], [retrieved on Feb. 20, 2007]. Retrieved from Internet ,<URL: <http://www.gsmarena.com>>.*

* cited by examiner

Primary Examiner—Jeffrey D Asch

Assistant Examiner—Bridget L Eland

(74) *Attorney, Agent, or Firm*—Staas & Halsey LLP

(57) **CLAIM**

The ornamental design for a mobile phone, as shown and described.

DESCRIPTION

FIG. 1 is a perspective view of a mobile phone;
FIG. 2 is a front view of the mobile phone of FIG. 1;
FIG. 3 is a rear view of the mobile phone of FIG. 1;
FIG. 4 is a left-side view of the mobile phone of FIG. 1;
FIG. 5 is a right-side view of the mobile phone of FIG. 1;
FIG. 6 is a top plan view of the mobile phone of FIG. 1;
FIG. 7 is a bottom plan view of the mobile phone of FIG. 1;
FIG. 8 is an open perspective view of the mobile phone of FIG. 1 in an in-use condition; and,
FIG. 9 is another open perspective view of the mobile phone of FIG. 1.

1 Claim, 7 Drawing Sheets

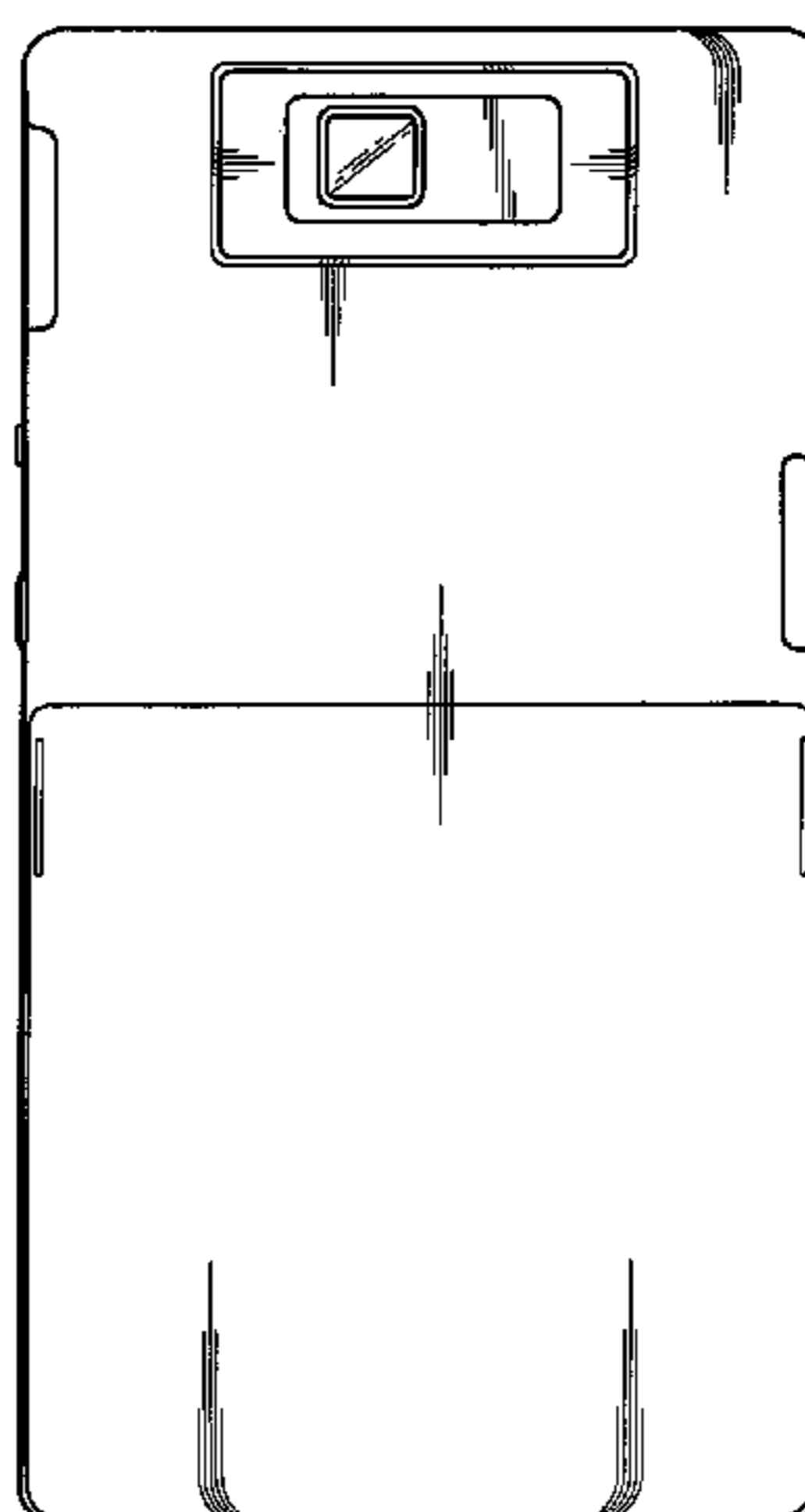
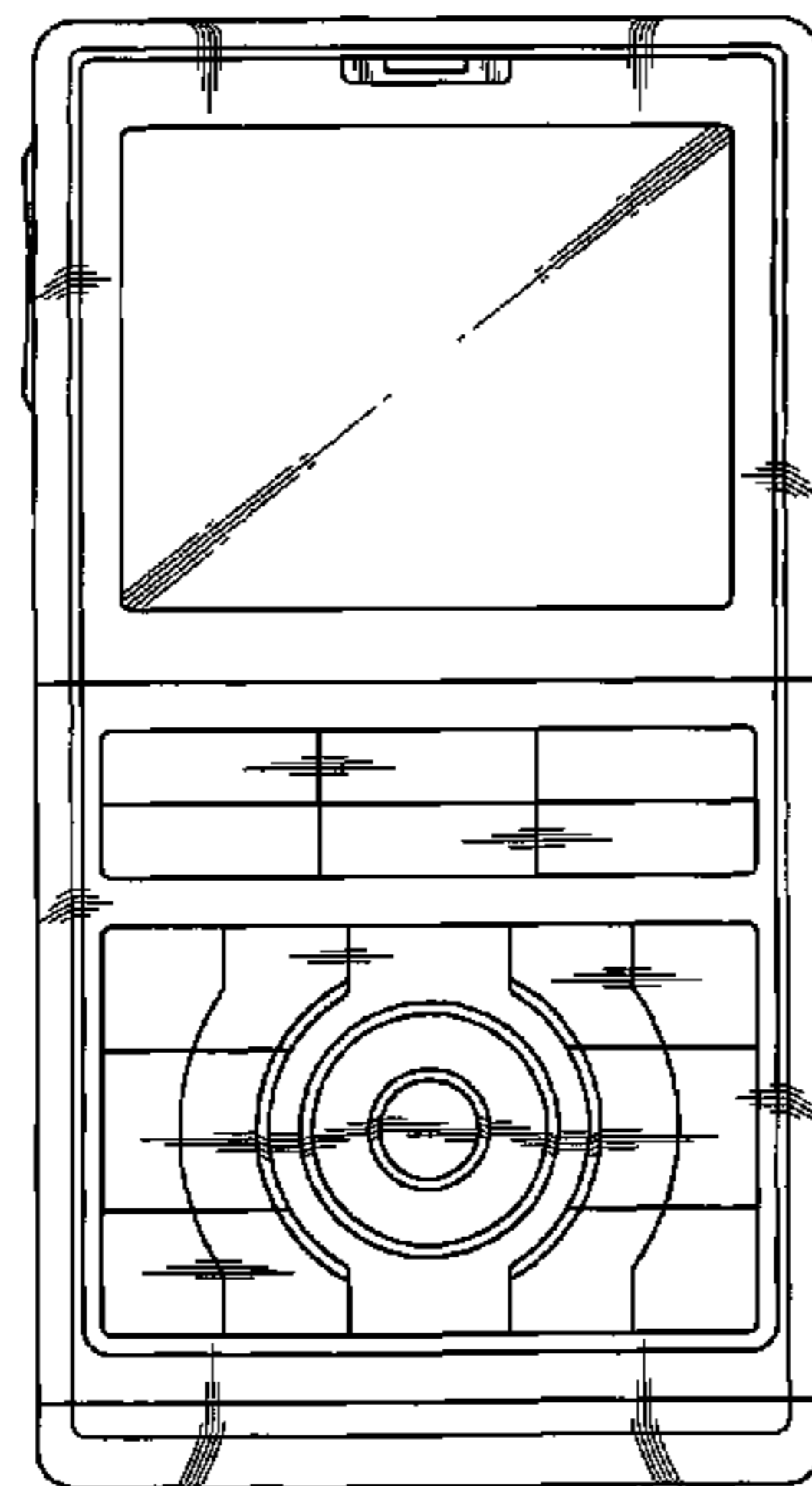


FIG. 1

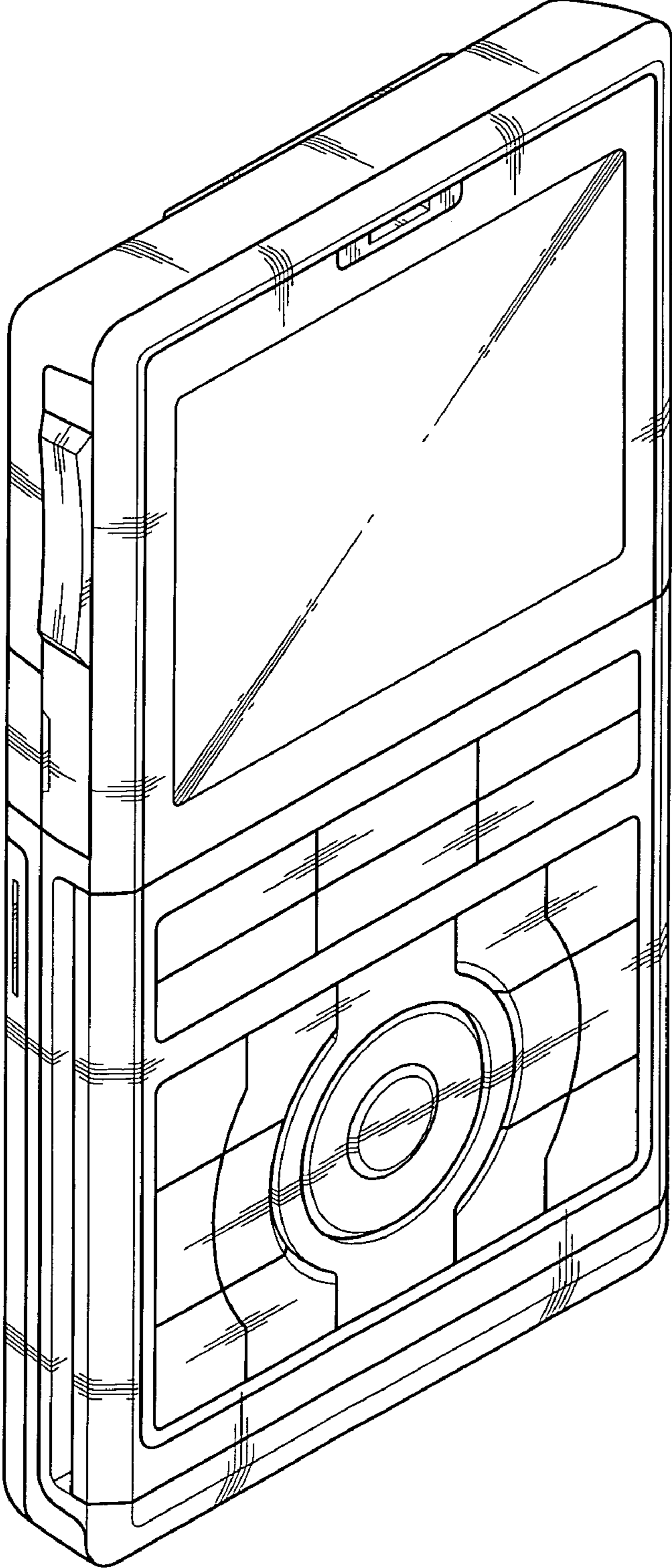


FIG. 2

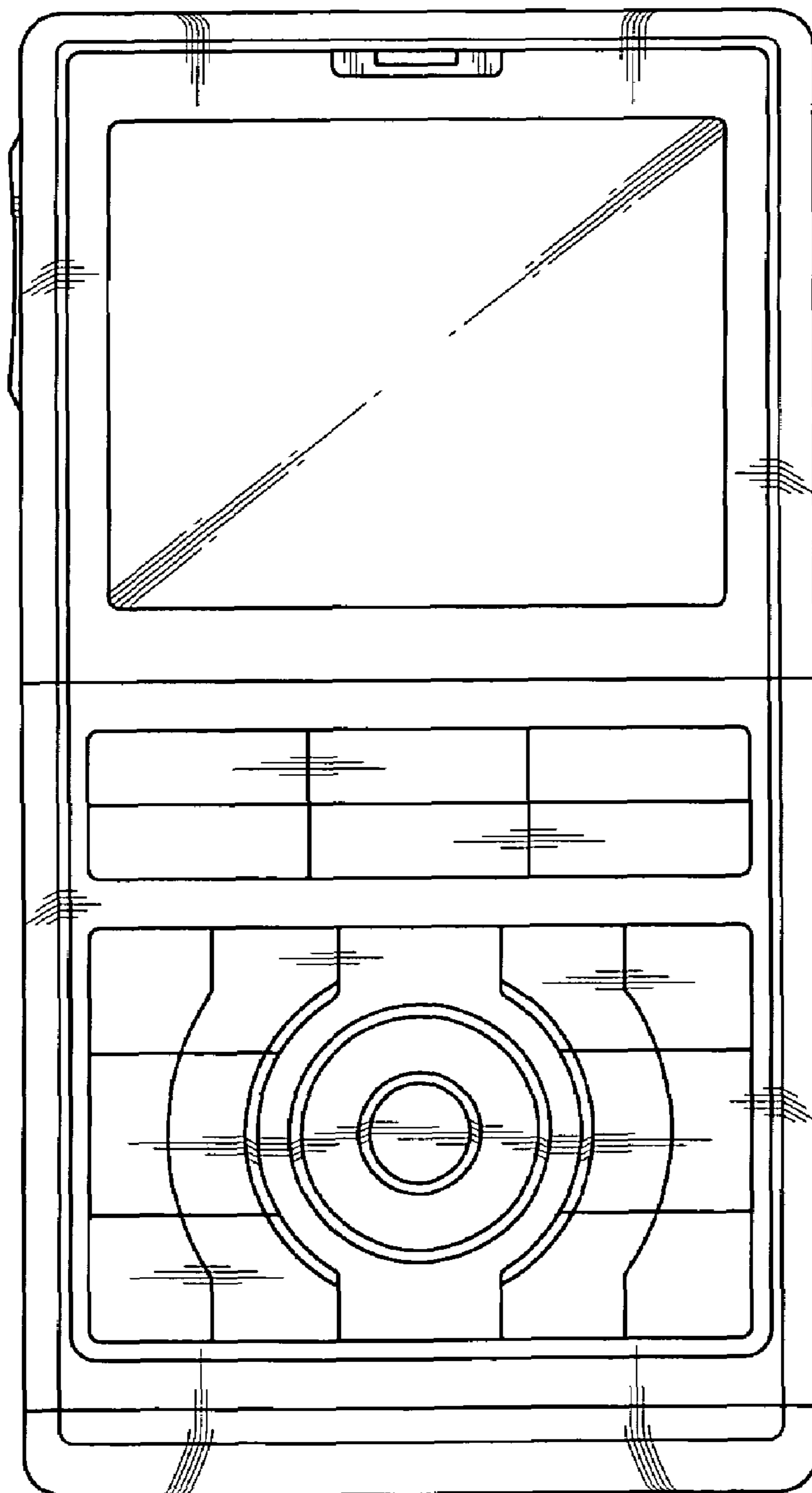


FIG. 3

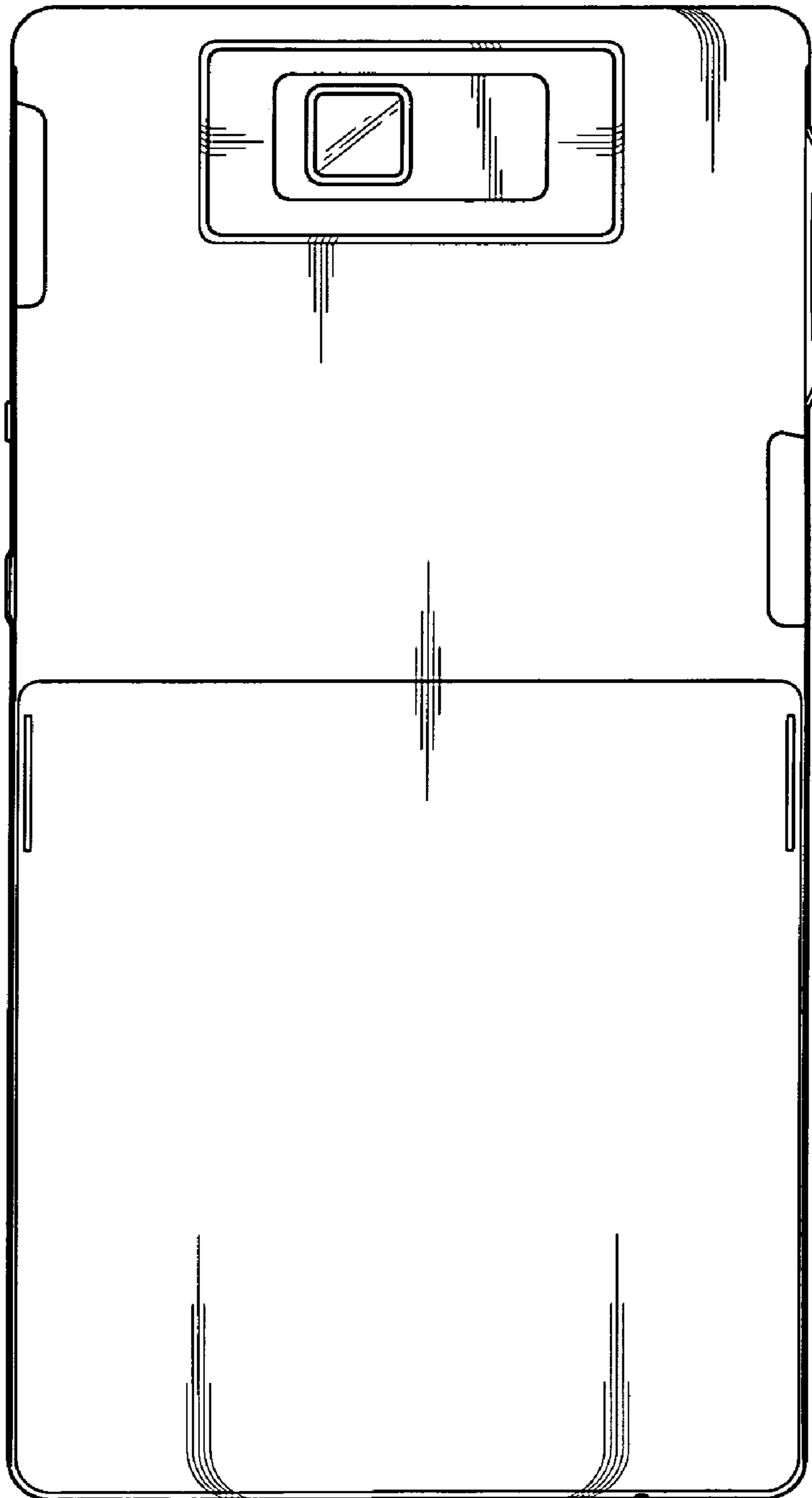


FIG. 4

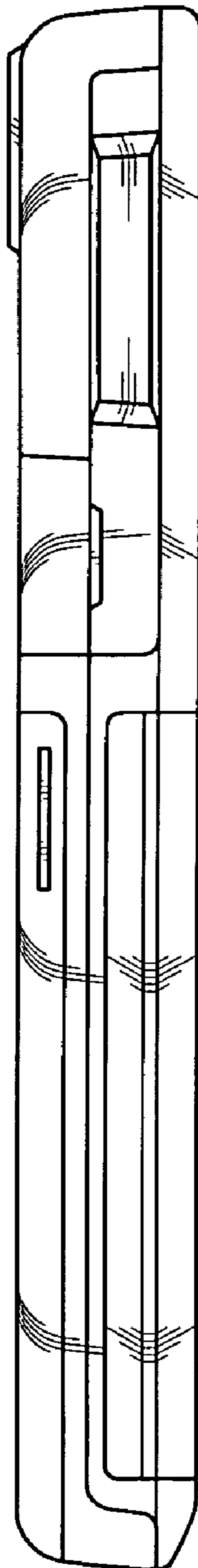


FIG. 5

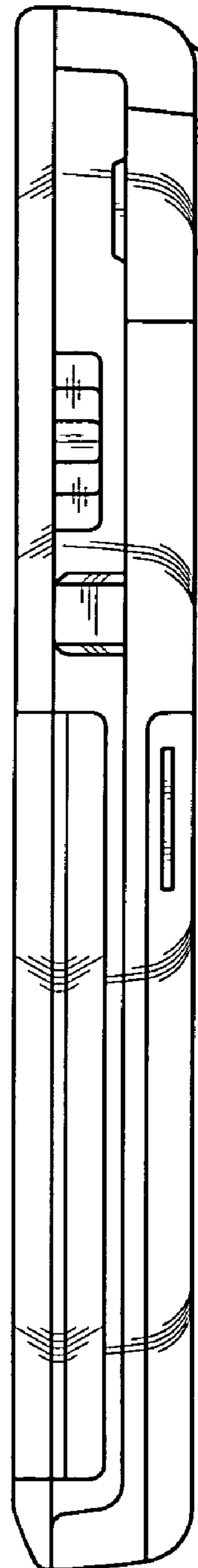


FIG. 6

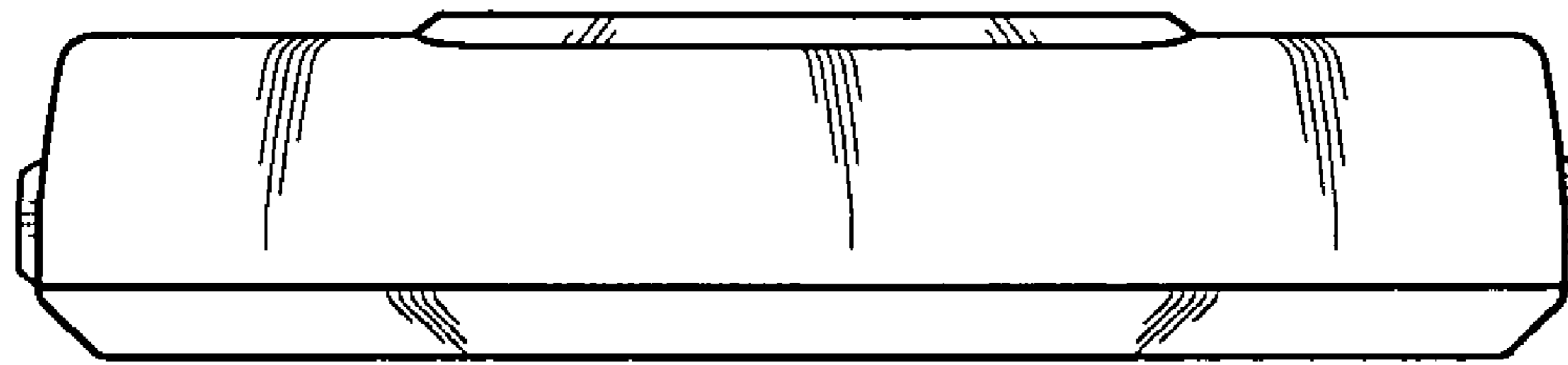


FIG. 7

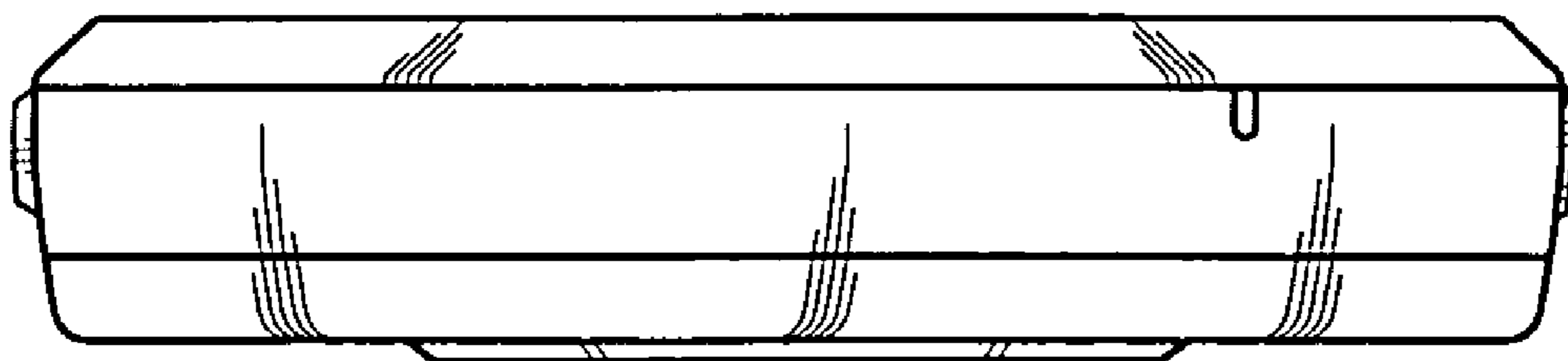


FIG. 8

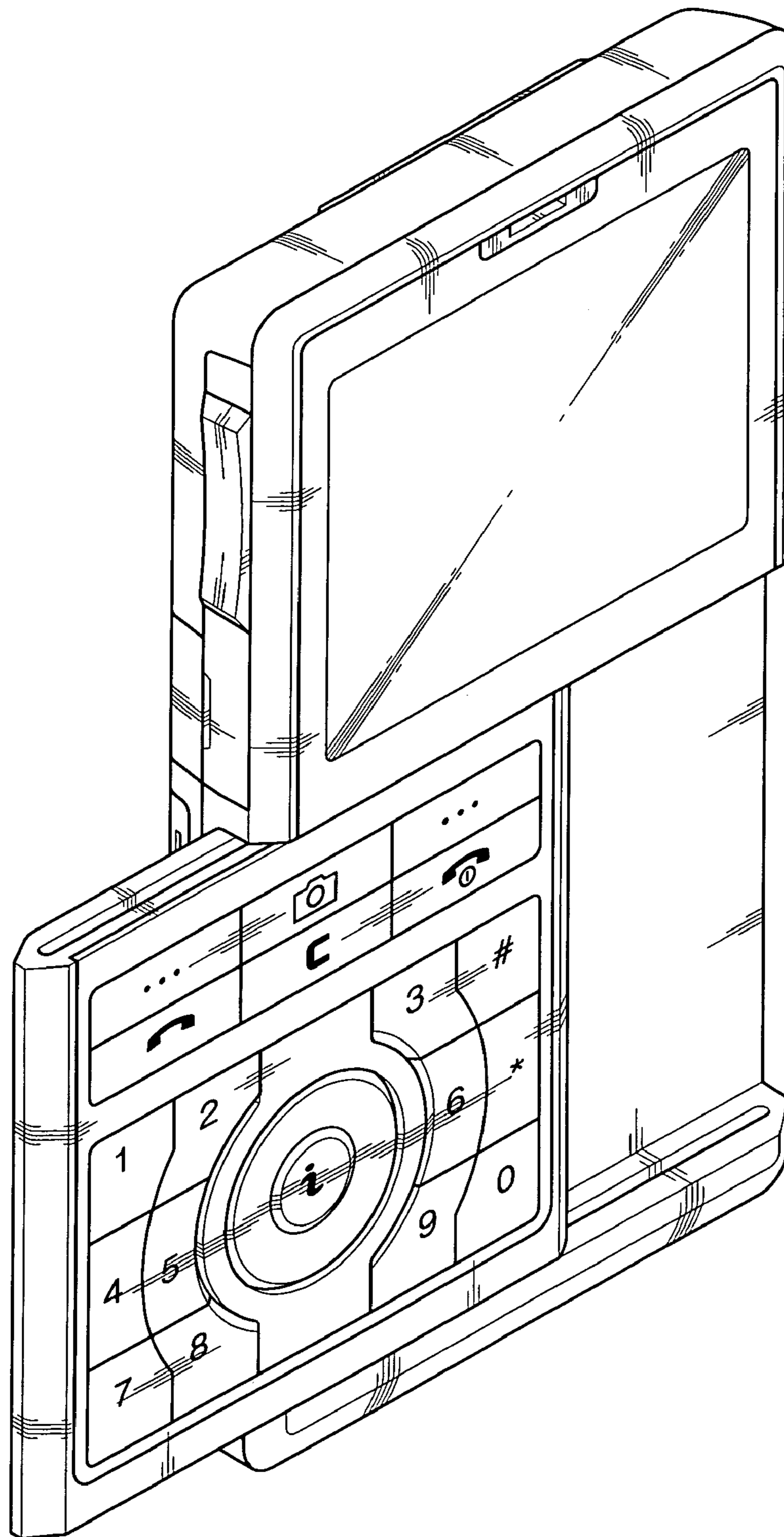


FIG. 9

