



US00D582878S

(12) **United States Design Patent**
Kimura

(10) **Patent No.:** **US D582,878 S**

(45) **Date of Patent:** **** Dec. 16, 2008**

(54) **MOBILE PHONE**

(75) Inventor: **Hiromitsu Kimura**, Kadoma (JP)

(73) Assignee: **Panasonic Corporation**, Osaka (JP)

(**) Term: **14 Years**

(21) Appl. No.: **29/299,031**

(22) Filed: **Dec. 18, 2007**

(30) **Foreign Application Priority Data**

Jun. 18, 2007 (JP) 2007-016110

(51) **LOC (8) Cl.** **14-03**

(52) **U.S. Cl.** **D14/138 AD**

(58) **Field of Classification Search** D14/137,
D14/138, 147, 191, 218, 247-248, 341-347,
D14/496; D10/65, 78, 104; D13/168; D18/7;
455/556.1, 566, 575.1, 575.3; 345/169
See application file for complete search history.

(56) **References Cited**

U.S. PATENT DOCUMENTS

D246,975 S * 1/1978 Hampf D14/191

(Continued)

OTHER PUBLICATIONS

LG KF700, announced Feb. 2008, [online], [retrieved on Mar. 21, 2008]. Retrieved from Internet ,<URL: <http://www.gsmarena.com>>.*

Sony Ericsson W580, announced Mar. 2007, [online], [retrieved on Apr. 3, 2007]. Retrieved from Internet ,<URL: <http://www.gsmarena.com>>.*

Sony Ericsson S500, announced May 2007, [online], [retrieved on May 18, 2007]. Retrieved from Internet ,<URL: <http://www.gsmarena.com>>.*

Primary Examiner—Jeffrey D Asch
Assistant Examiner—Bridget L Eland

(74) *Attorney, Agent, or Firm*—Brinks Hofer Gilson & Lione

(57) **CLAIM**

The ornamental design for a mobile phone, as shown and described.

DESCRIPTION

FIG. 1 is a front perspective view of a mobile phone of the present invention;

FIG. 2 is a rear perspective view thereof;

FIG. 3 is a front view thereof;

FIG. 4 is a right side view thereof, the left side view being a mirror image thereof;

FIG. 5 is a top view thereof;

FIG. 6 is a bottom view thereof;

FIG. 7 is a rear view thereof;

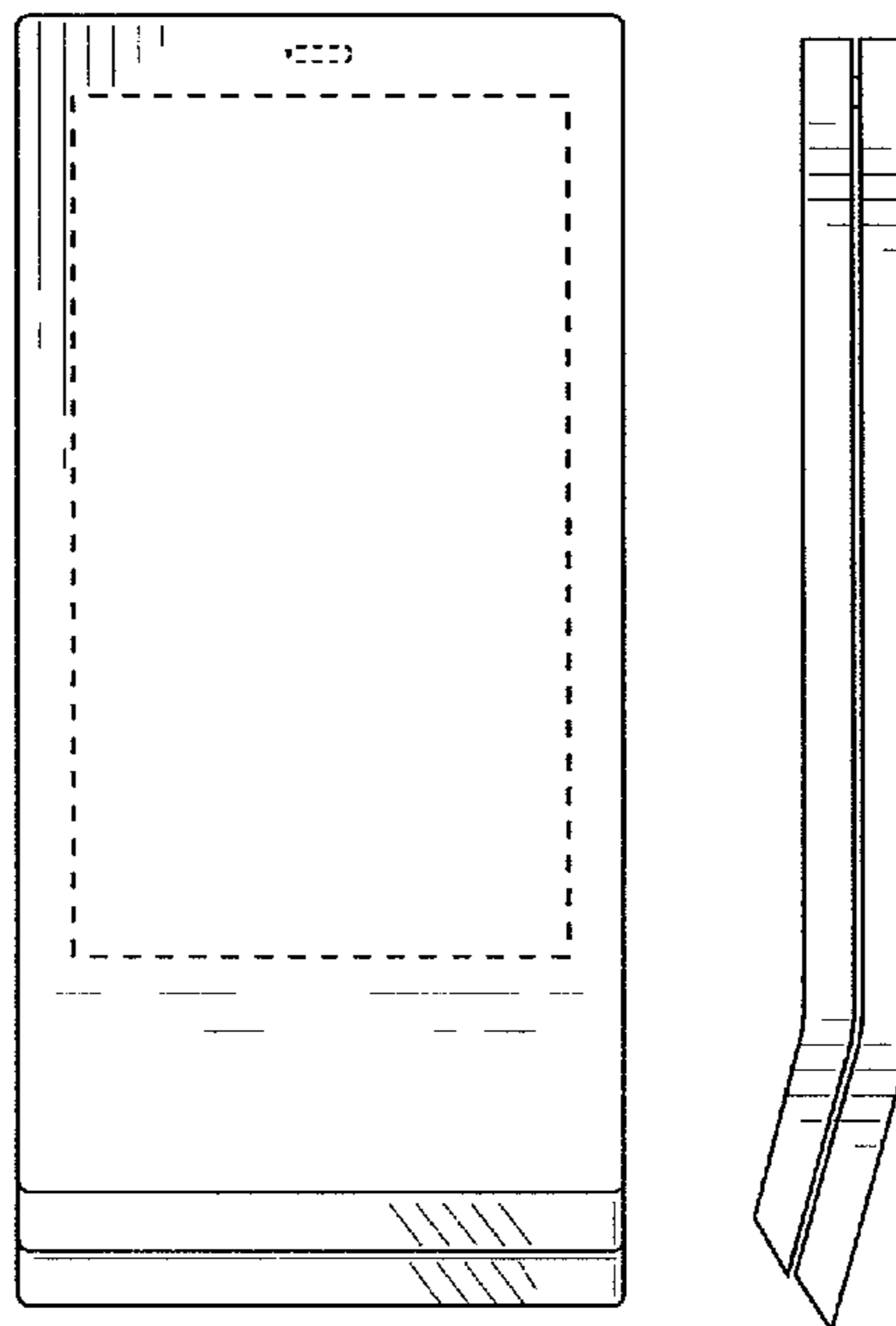
FIG. 8 is a front perspective view thereof shown in an opened position;

FIG. 9 is a rear perspective view thereof shown in an opened position; and,

FIG. 10 is a front perspective view thereof shown in transition to an opened position.

The broken lines immediately adjacent the shaded areas represent the bounds of the claimed design; the broken lines form no part of the claimed design.

1 Claim, 5 Drawing Sheets



US D582,878 S

Page 2

U.S. PATENT DOCUMENTS

D247,434 S *	3/1978	Hampf	D14/191	D549,203 S	8/2007	Kim et al.	
D261,366 S *	10/1981	Lam	D10/47	D549,682 S	8/2007	Han et al.	
D356,550 S *	3/1995	Mizusugi et al.	D14/341	D550,188 S	9/2007	Lee et al.	
5,838,789 A *	11/1998	Mendolia	379/433.13	D552,580 S	10/2007	Mun	
6,989,984 B2 *	1/2006	Sutton et al.	361/680	D552,581 S	10/2007	Lee et al.	
D524,809 S *	7/2006	Alcouloumre et al.	D14/341	D557,235 S *	12/2007	Kim	D14/138
D525,609 S *	7/2006	Kim et al.	D14/138	D557,239 S *	12/2007	Lee	D14/138
D531,608 S *	11/2006	Kim et al.	D14/138	D557,244 S *	12/2007	Lee et al.	D14/138
D531,611 S *	11/2006	Kim et al.	D14/138	D558,460 S *	1/2008	Yu et al.	D6/308
D532,791 S *	11/2006	Kim	D14/496	D562,285 S *	2/2008	Lim	D14/138
D534,516 S *	1/2007	Lheem	D14/138	D562,292 S *	2/2008	Park	D14/138
D541,785 S *	5/2007	Hwang et al.	D14/138	D569,366 S *	5/2008	Hsu	D14/138
D548,213 S	8/2007	Lee et al.		D571,765 S *	6/2008	Hsu	D14/138
D548,713 S	8/2007	Lee et al.		D575,259 S *	8/2008	Kim et al.	D14/138
D548,714 S *	8/2007	Kim et al.	D14/138	D575,760 S *	8/2008	Kim et al.	D14/138
D548,716 S	8/2007	Park et al.		2007/0265031 A1 *	11/2007	Koizumi et al.	455/556.1
D549,202 S	8/2007	Kim et al.		2008/0039151 A1 *	2/2008	Kim et al.	455/566

* cited by examiner

FIG.1

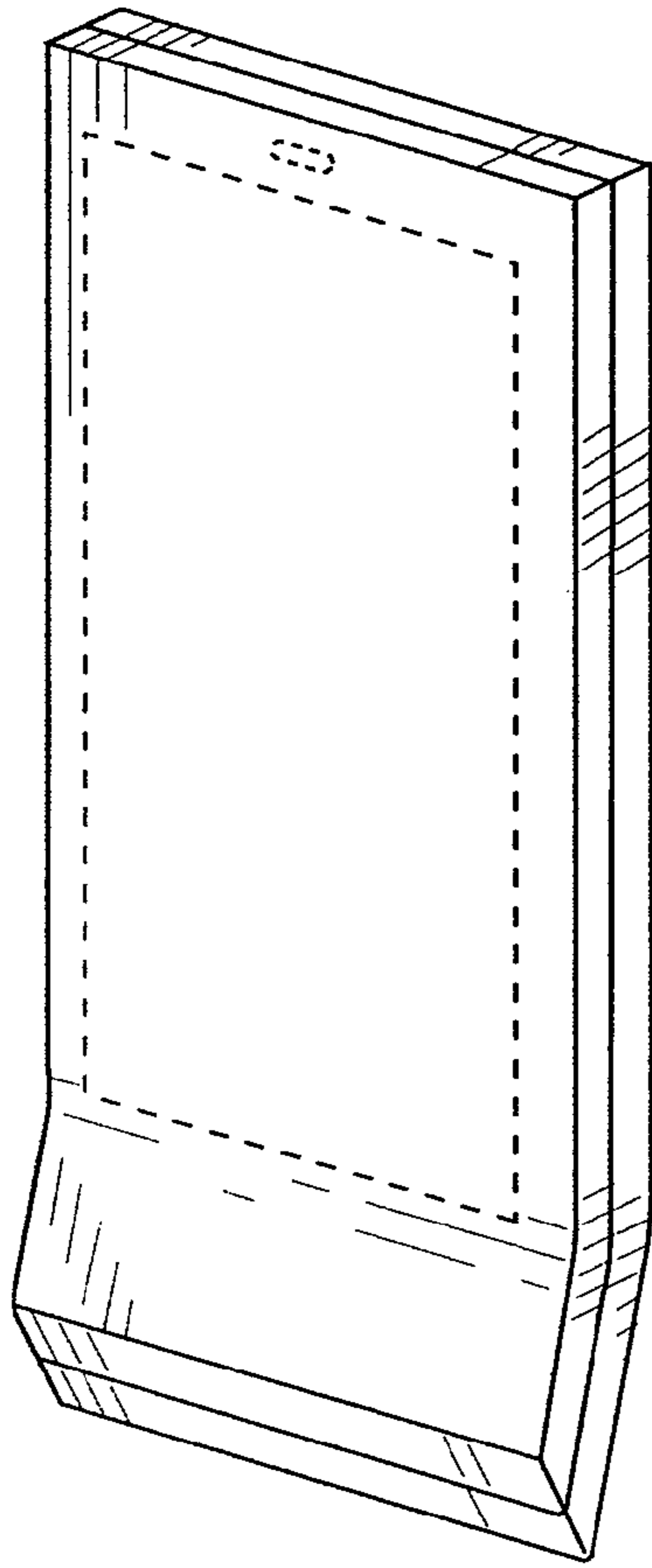


FIG.2

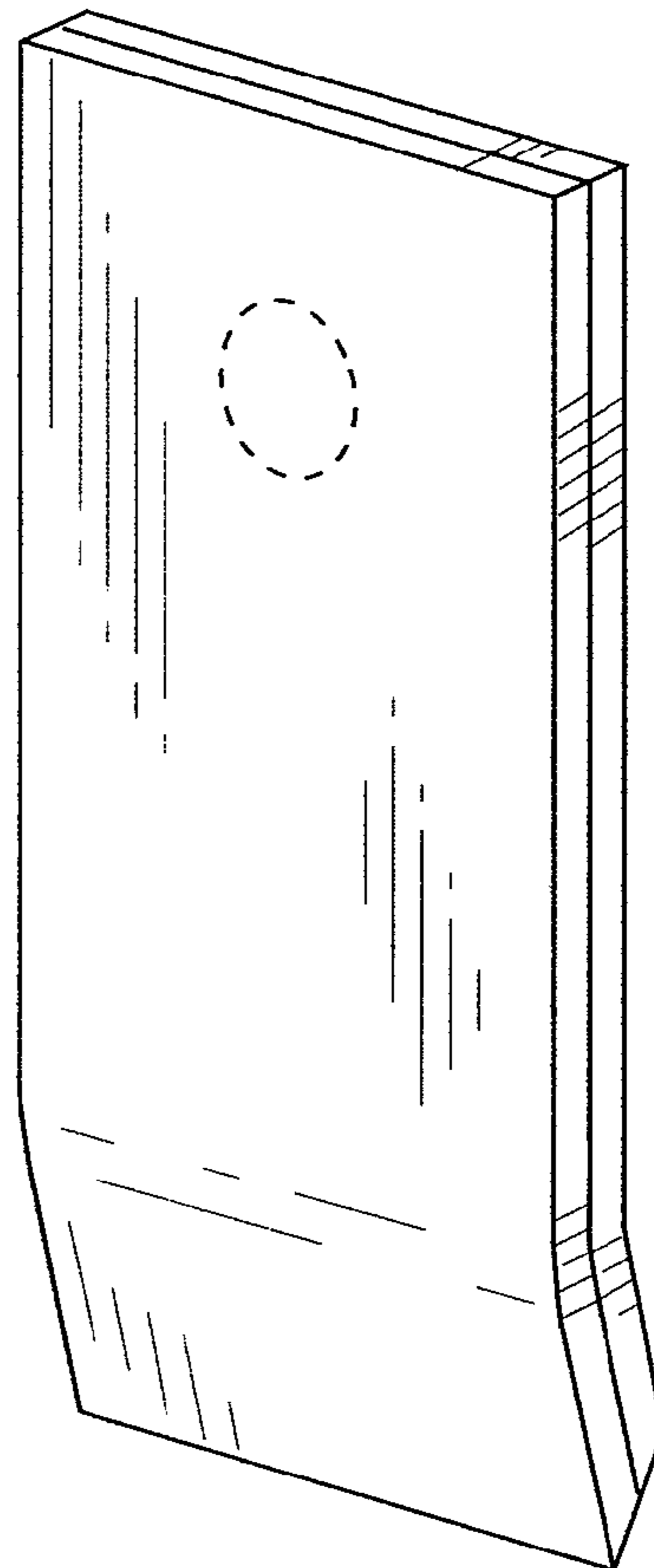


FIG.3

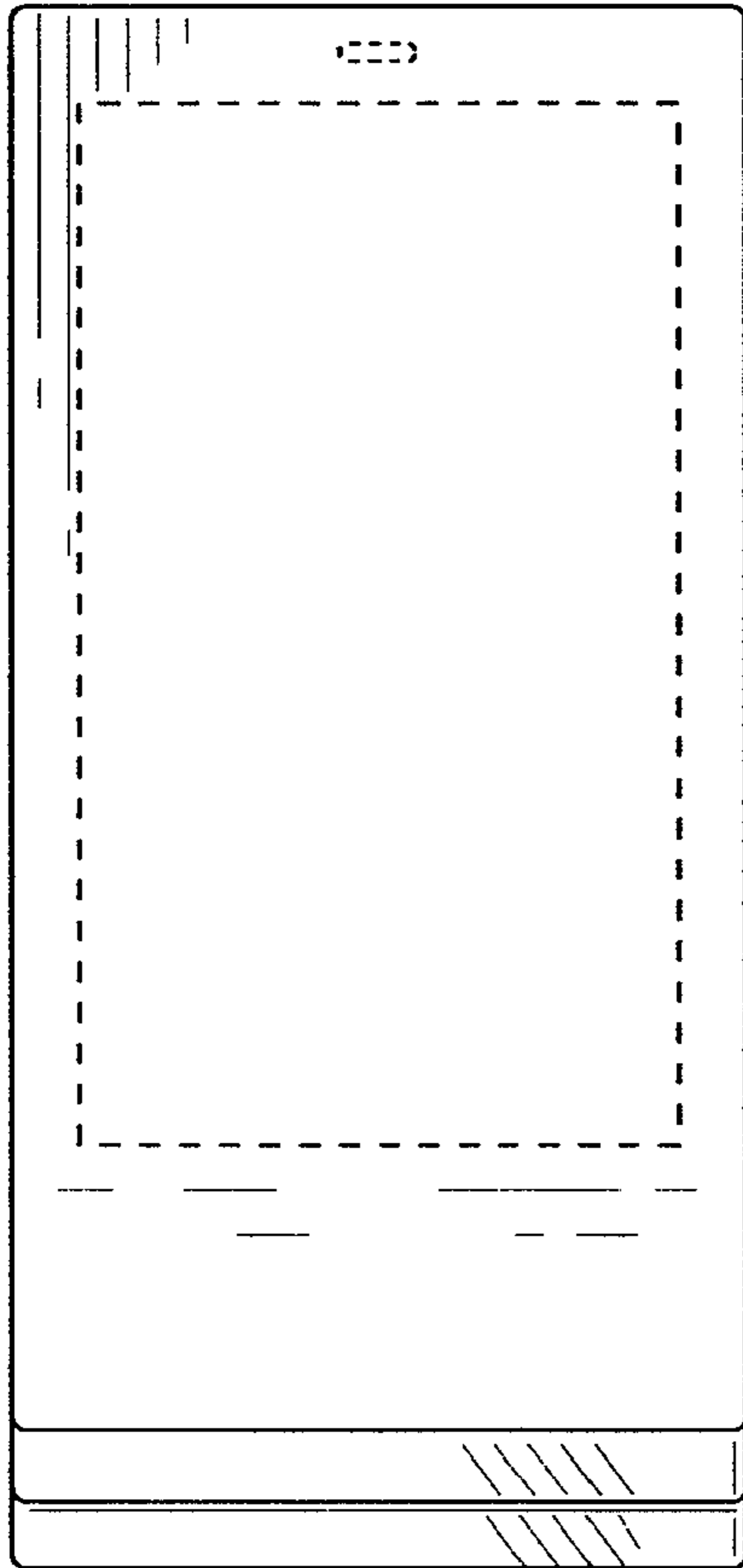


FIG.4

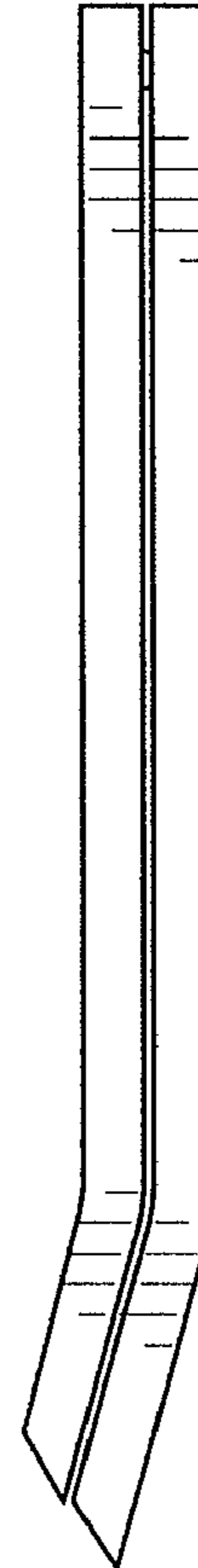


FIG.5

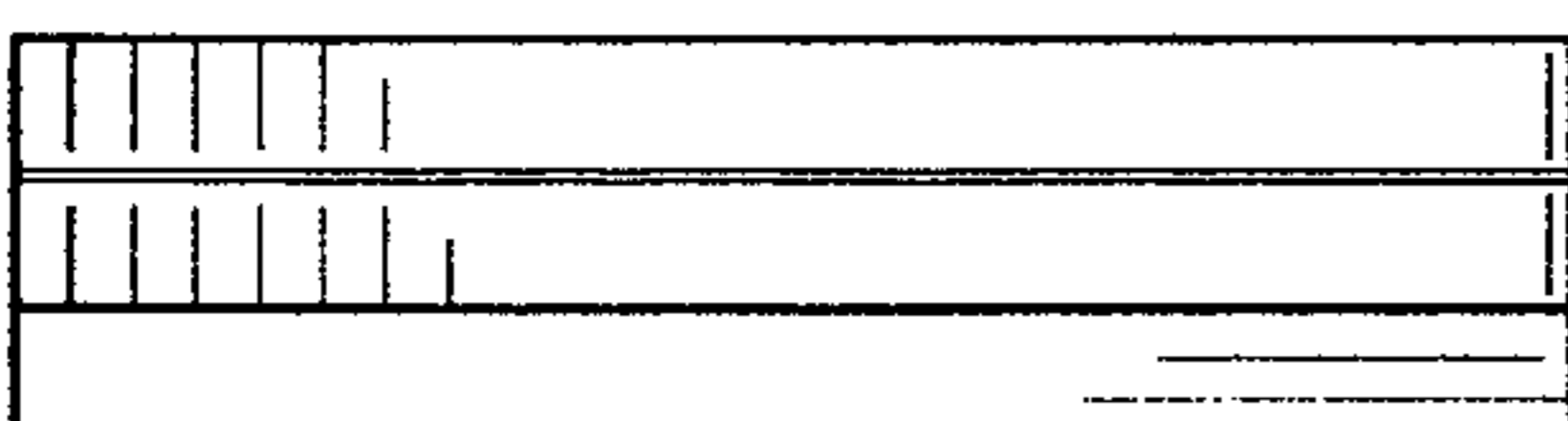


FIG.6

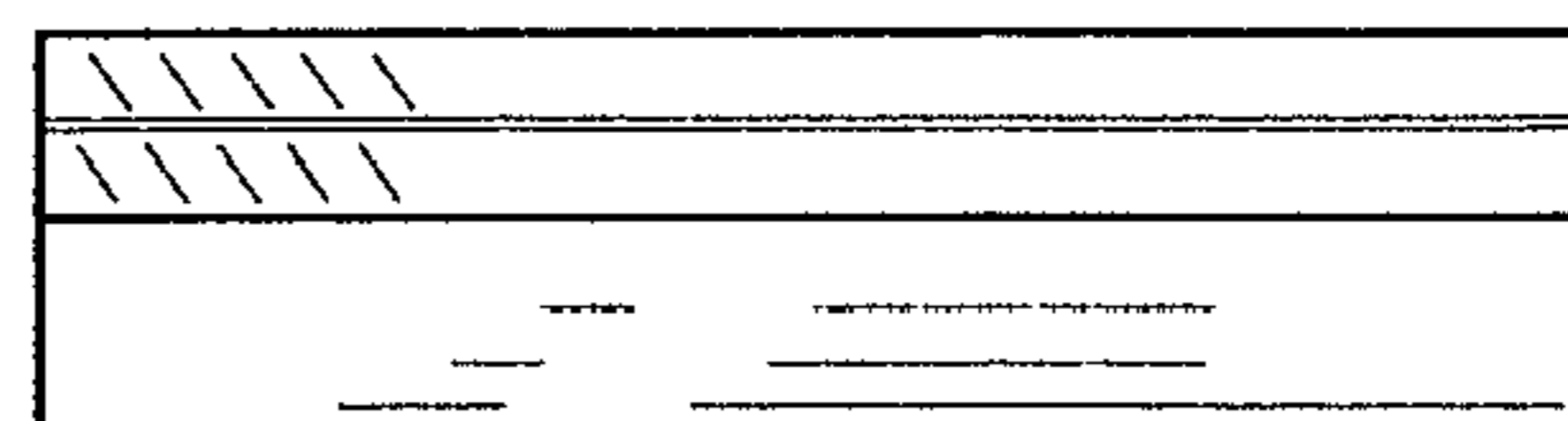


FIG.7

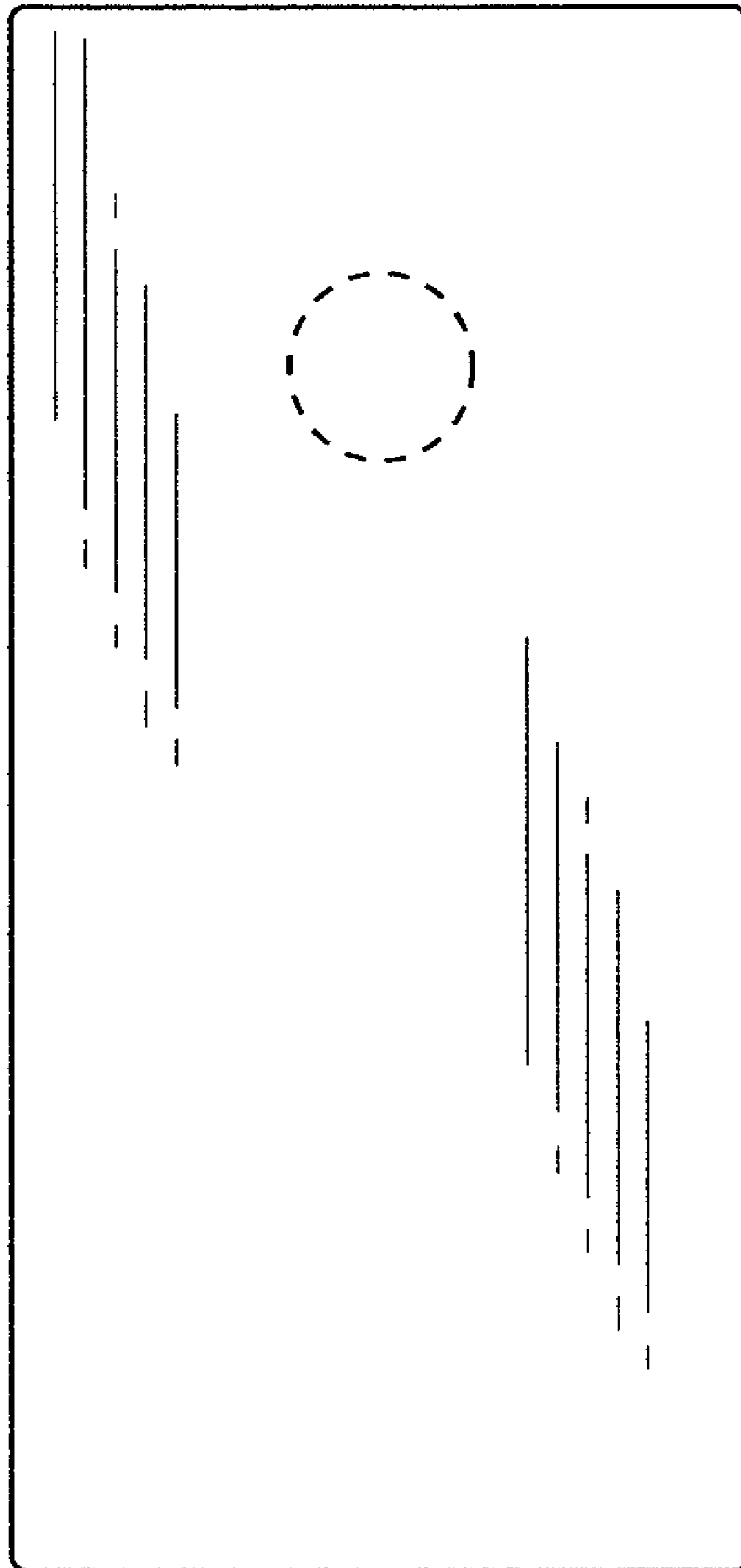


FIG.8

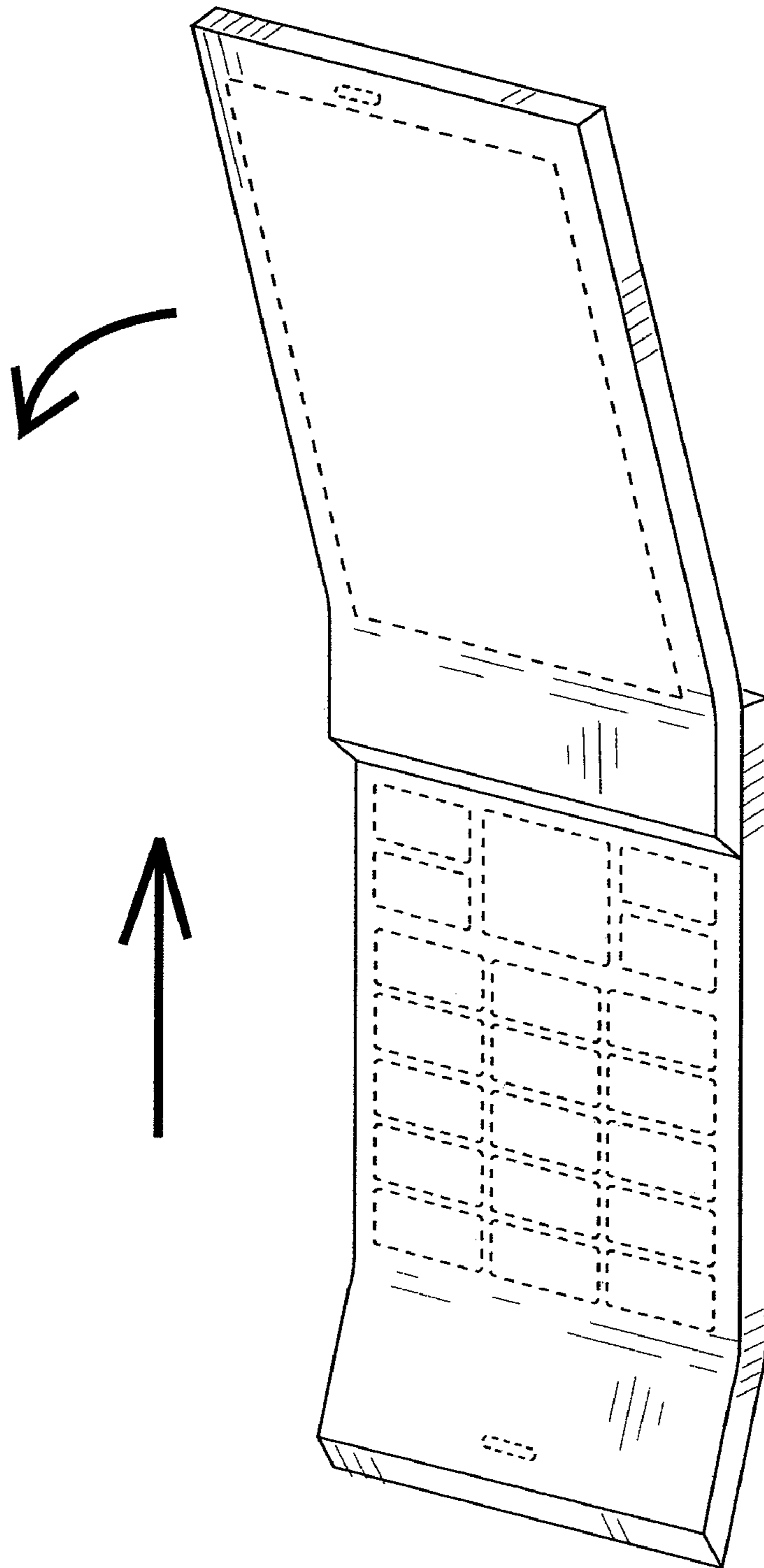


FIG.9

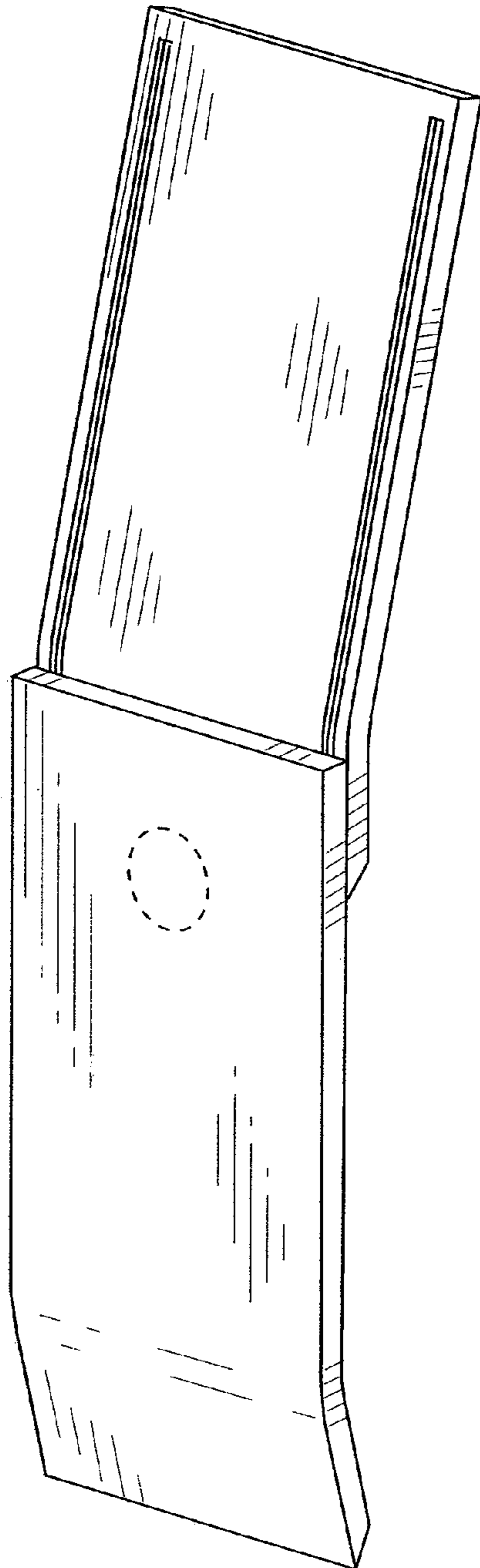


FIG.10

